

USER'S MANUAL

A x 9
M8x50mm



B x 13
M8



C x 13
M8x22mm



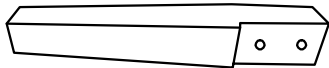
D x 4
M8x60mm



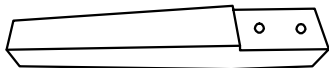
R x 1
M6



①



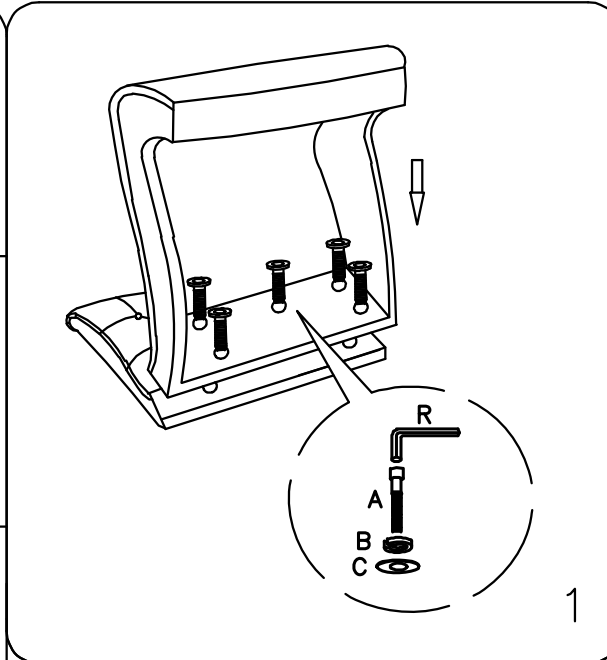
②



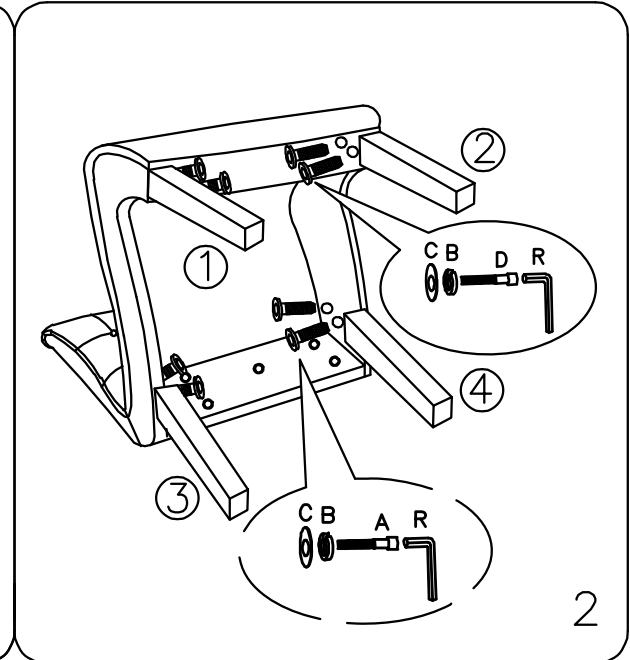
③



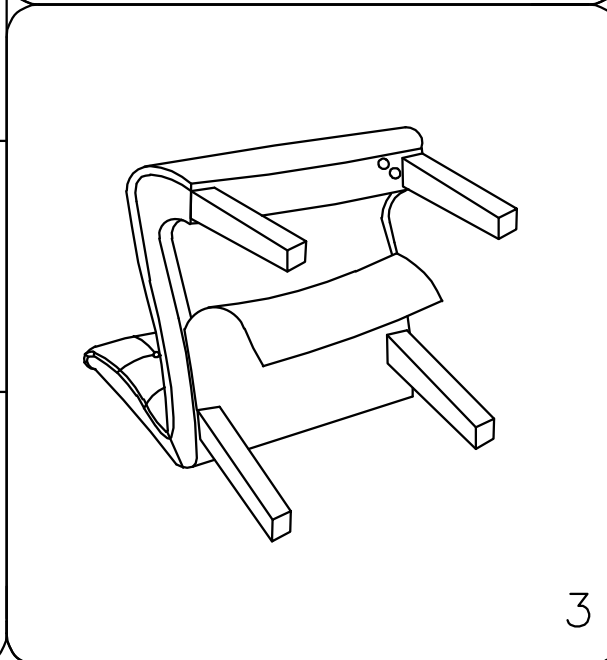
④



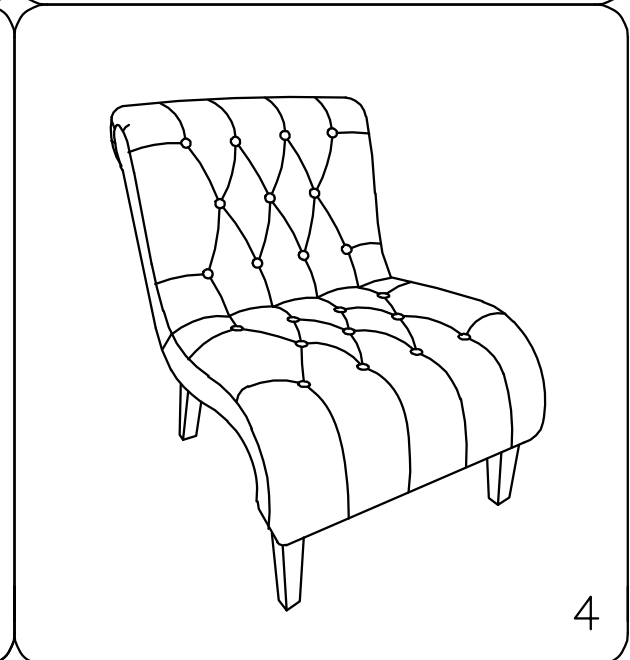
1



2



3



4