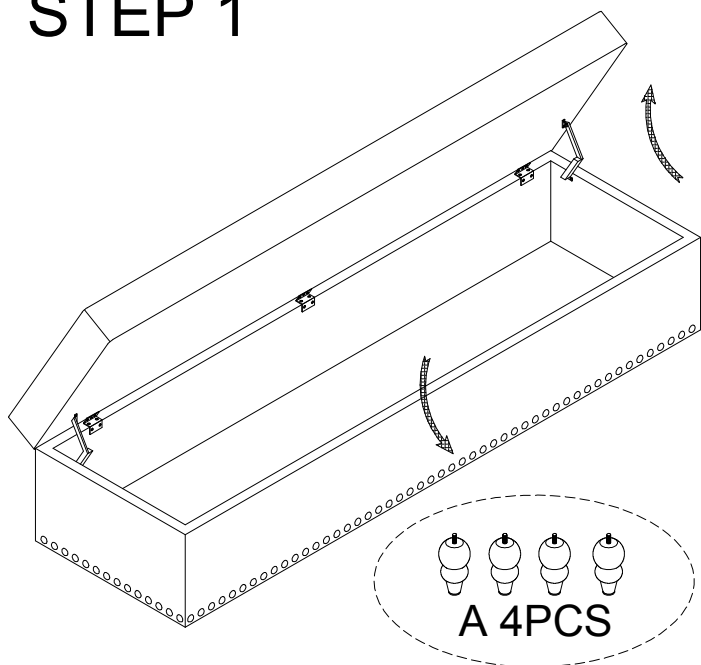
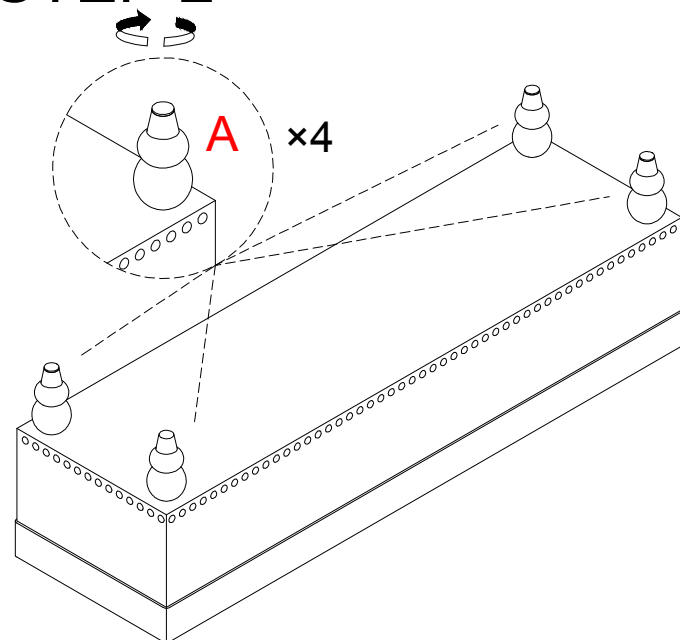


# ASSEMBLY INSTRUCTION

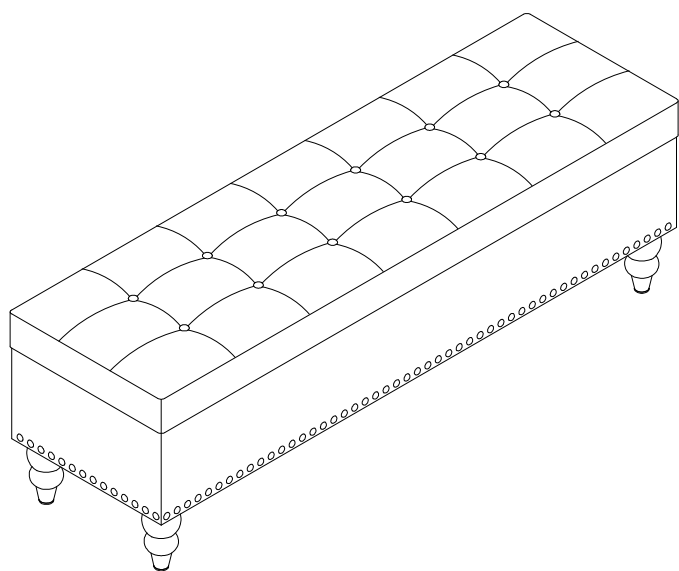
## STEP 1



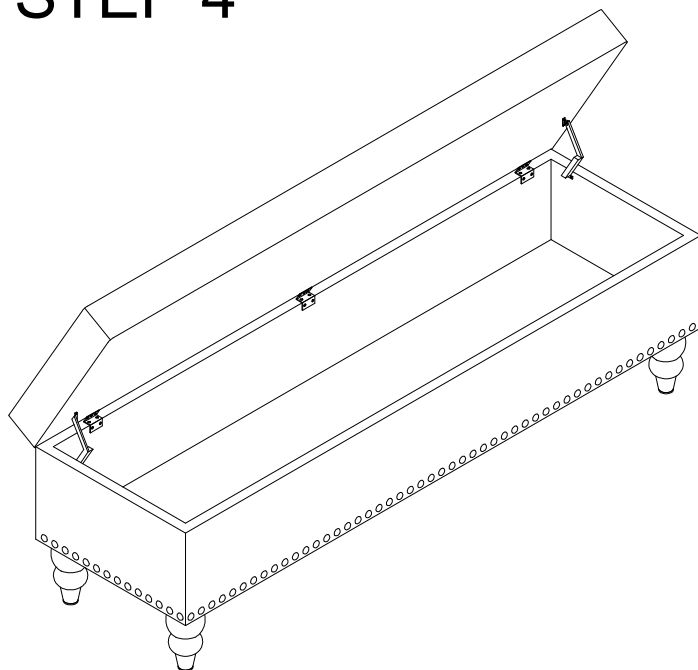
## STEP 2



## STEP 3



## STEP 4



A 4PCS

