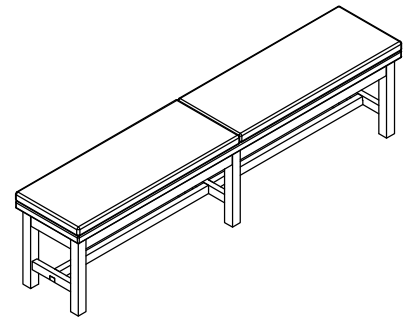


# Dining Room Assembly Instructions

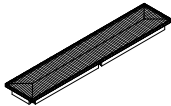
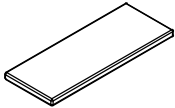



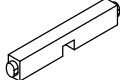

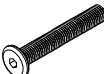
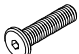





## 82" Dining Bench

### Warning :

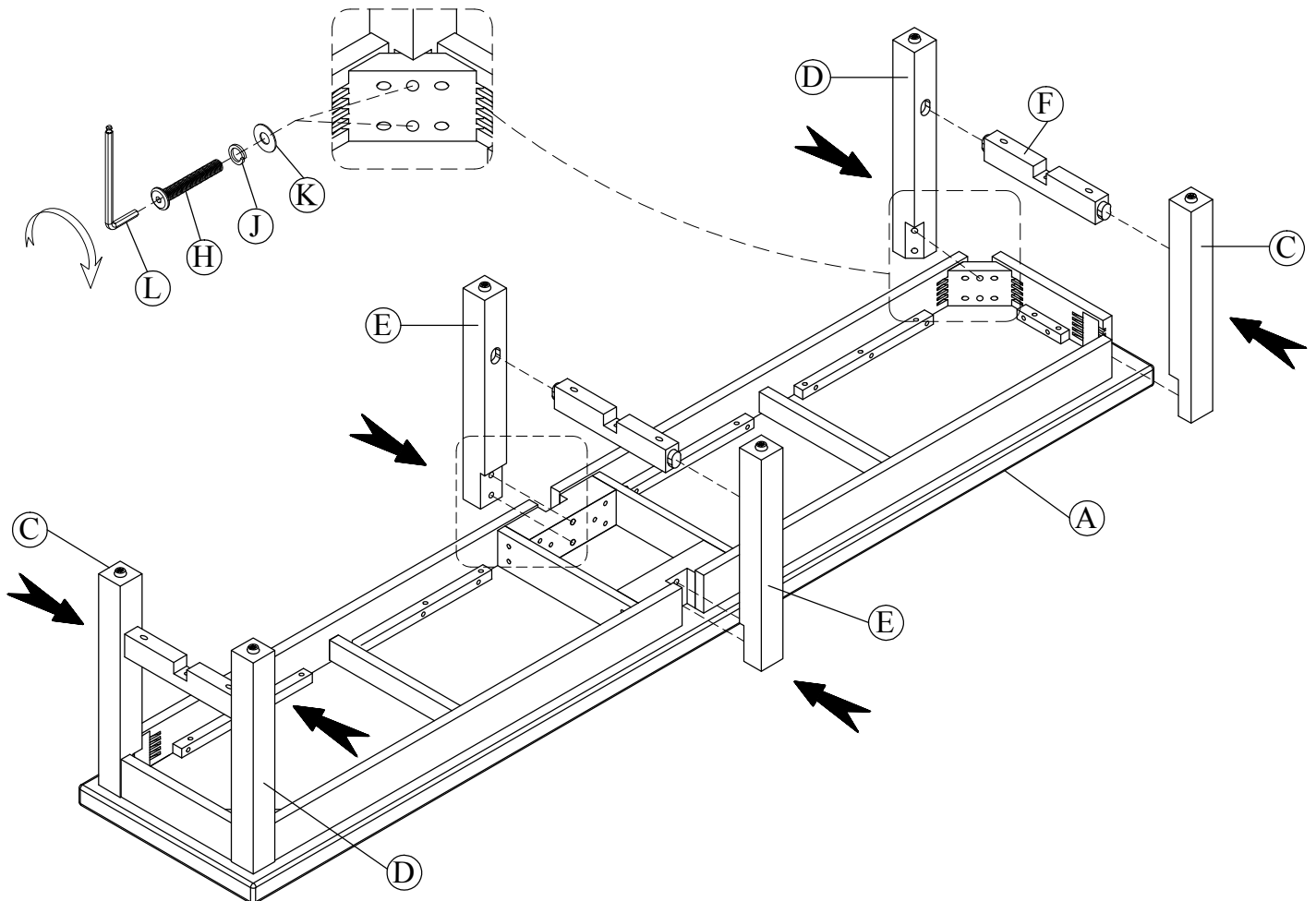
- Be sure to check all packing material carefully for small parts, which may have come loose inside the carton during shipment.
- To prevent possible scratches and damage, this furniture **MUST BE ASSEMBLED BY TWO PEOPLE** on a soft surface such as a blanket or carpet.



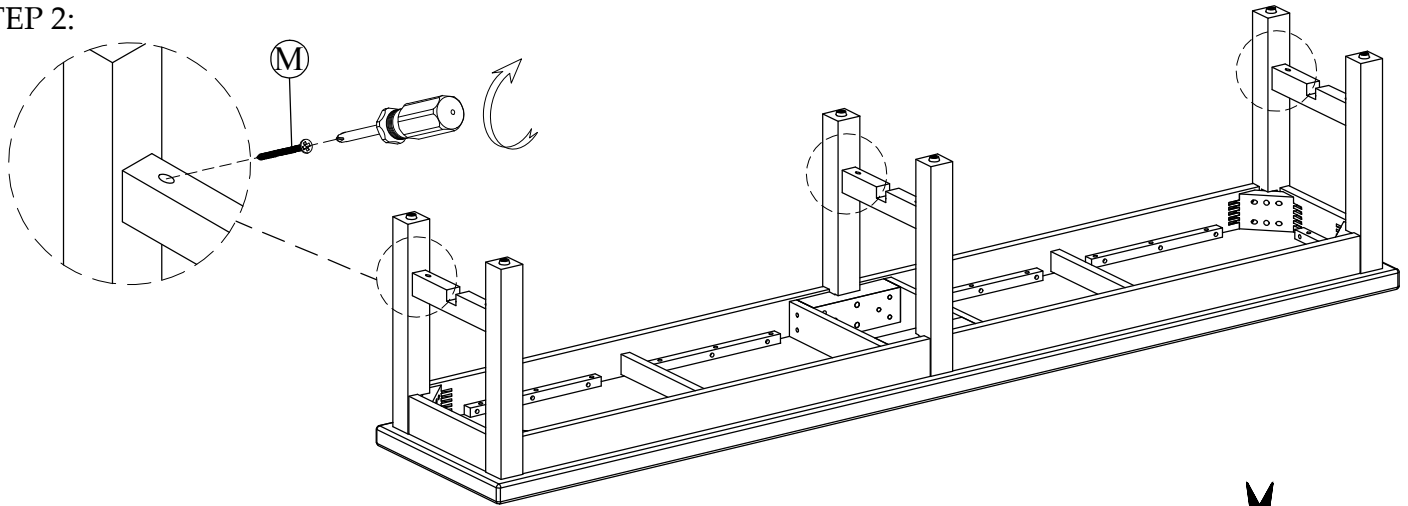
### Components and Hardware List

Top Bench	Cushion Seat	Leg (Left)	Leg (Right)	Center Leg	Short Stretcher	Long Stretcher
 <b>(A)</b> 1 pc.	 <b>(B)</b> 2 pcs.	 <b>(C)</b> 2 pcs.	 <b>(D)</b> 2 pcs.	 <b>(E)</b> 2 pcs.	 <b>(F)</b> 3 pcs.	 <b>(G)</b> 1 pc.
Allen Head Bolt M8-32 x 55mm  <b>(H)</b> 12 pcs.	Allen Head Bolt M6-32 x 35mm  <b>(I)</b> 3 pcs.	Lock Washer Ø9 x Ø13mm  <b>(J)</b> 15 pcs.	Flat Washer Ø8 x Ø20mm  <b>(K)</b> 15 pcs.	Allen Key 4 x 110mm  <b>(L)</b> 1 pc.	Wood Screw Ø4 x 50mm  <b>(M)</b> 6 pcs.	Tool Required (not provided) Phillips Screwdriver 

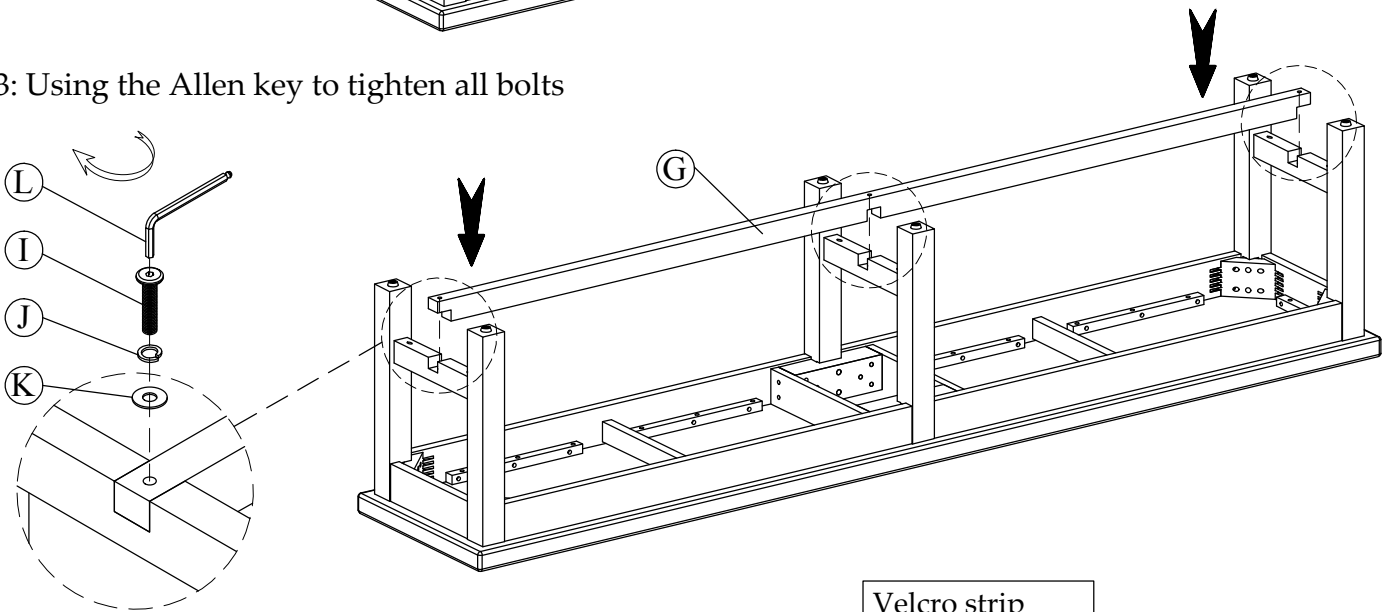
### STEP 1: Do not fully tighten the bolts



STEP 2:



STEP 3: Using the Allen key to tighten all bolts



STEP 4:

