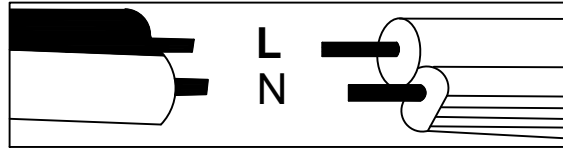


## WIRE CONNECTION DIAGRAM

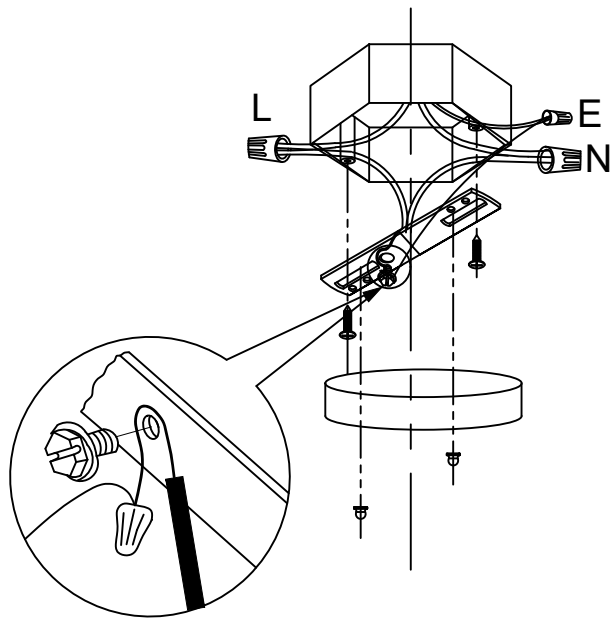
Wires met safety standards are recommended to connect the supply circuit.

**CAUTION: Risk of fire**

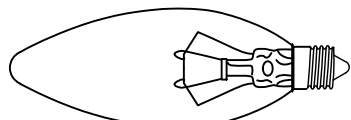


## CANOPY INSTALLATION INSTRUCTIONS

Please read all instructions carefully. Before you proceed to install, make sure that the power supply is turned off and remains off until installation is complete.



Light Bulb (Not included)



E12

## USER MANUAL

Dear Customer:

Thank you for your business!

If you have any questions or problems, please send us an email or call us at

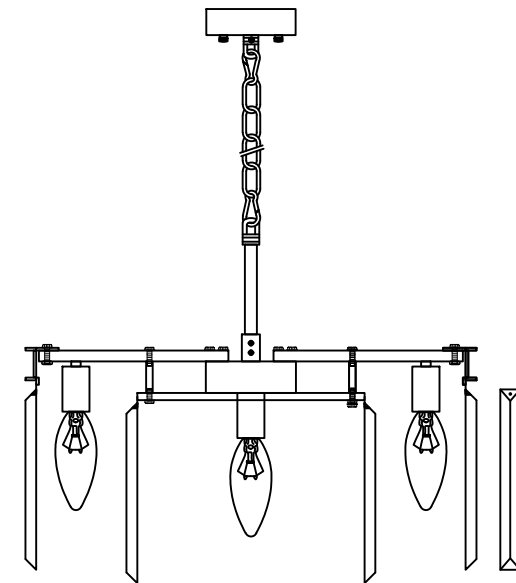
We will do everything possible to make you completely satisfied with your purchase.

For video instruction, please search "MX155101-P" on Youtube.com

Product reviews help future customers to make their purchase decision. You are encouraged to share your experience by leaving a short product review on the platform where you bought this product.

Thank you!

4ModernHome



( Rated 110V/60Hz, bulb 60W maximum.)

# Assembly and Installation Steps

## Step 4

1. Lock the crossbar to the junction box of the ceiling by using 2 pcs of 5/32 screws in the accessories bag.
2. Connect the wires. The hot/positive (+) wire is the one which has writing on it. The negative (-) wire is the one which has no writing.
3. Cover the ceiling canopy and attach the screws to the canopy.

## Step 5

Locked together

## Step 3

Locked together

## Step 1

Locked together

Long tooth screw

## Step 2

Locked together

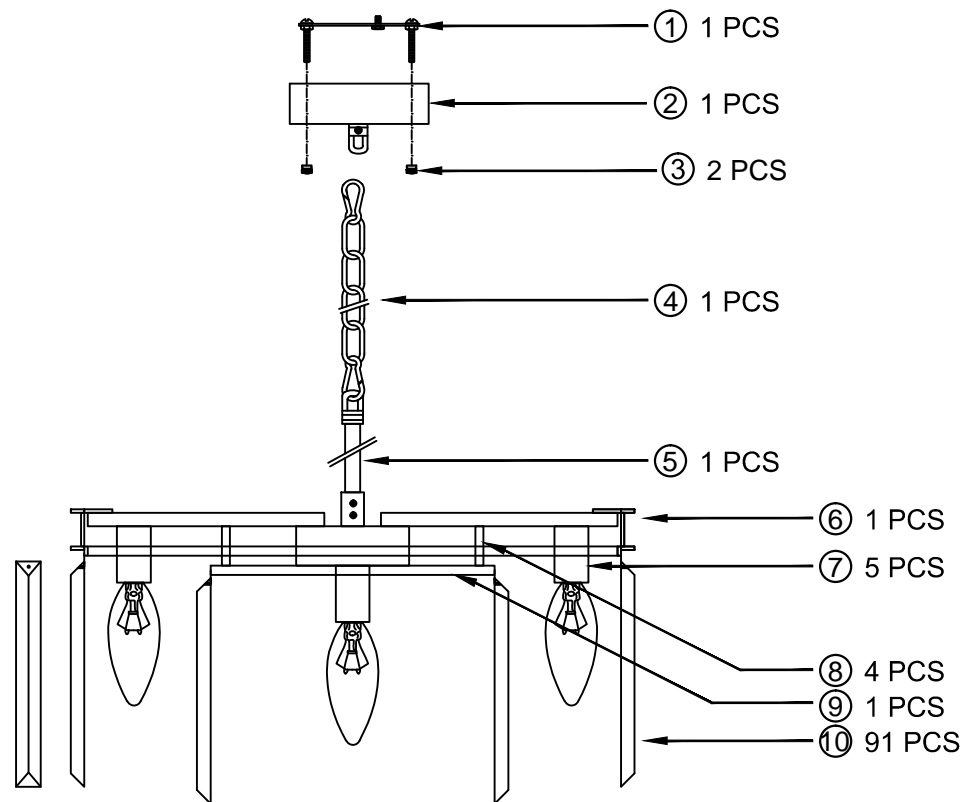
## Step 6

Install 5 E12 bulbs  
(Not included).

## Step 7

Hang the crystals from the metal ring Keyhole.

Please note: The parts in this table are completely unassembled, for illustrative purpose. In the actual product that you receive, some parts are assembled and attached together.



The steps of hanging crystals.

