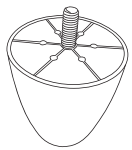



# ASSEMBLY INSTRUCTION

Please follow below Assembly Instruction step by step.

## HARDWEAR LIST

NO.	DESCRIPTION	QTY (pcs)
A	 leg	12
B		8

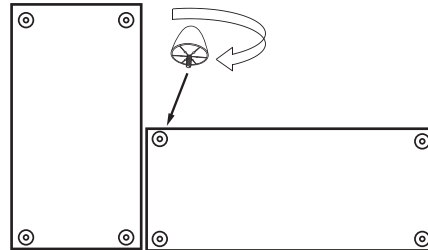
## STEP1

ATTENTION:

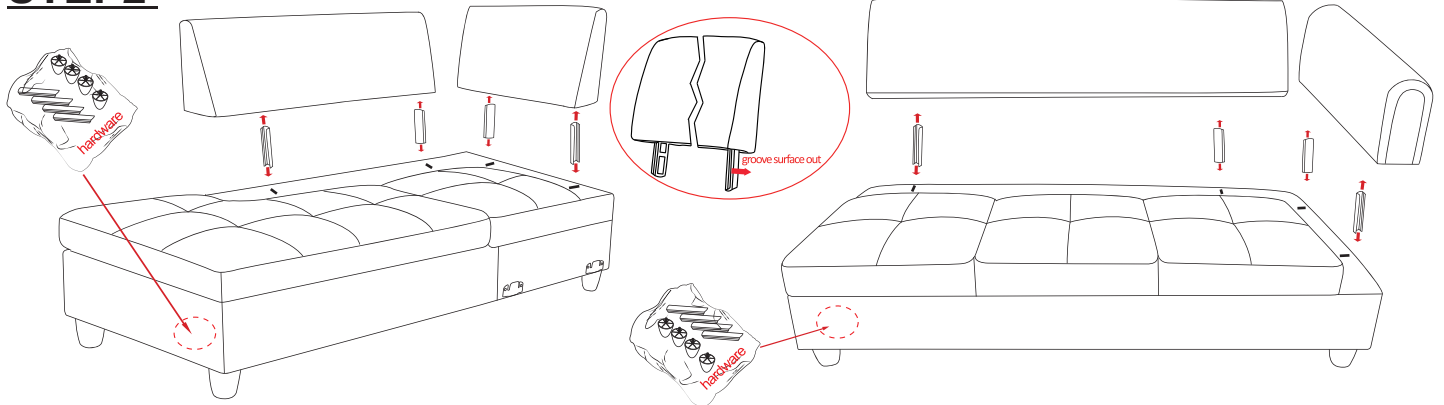
LEGS LOCATION:

Please check zipper

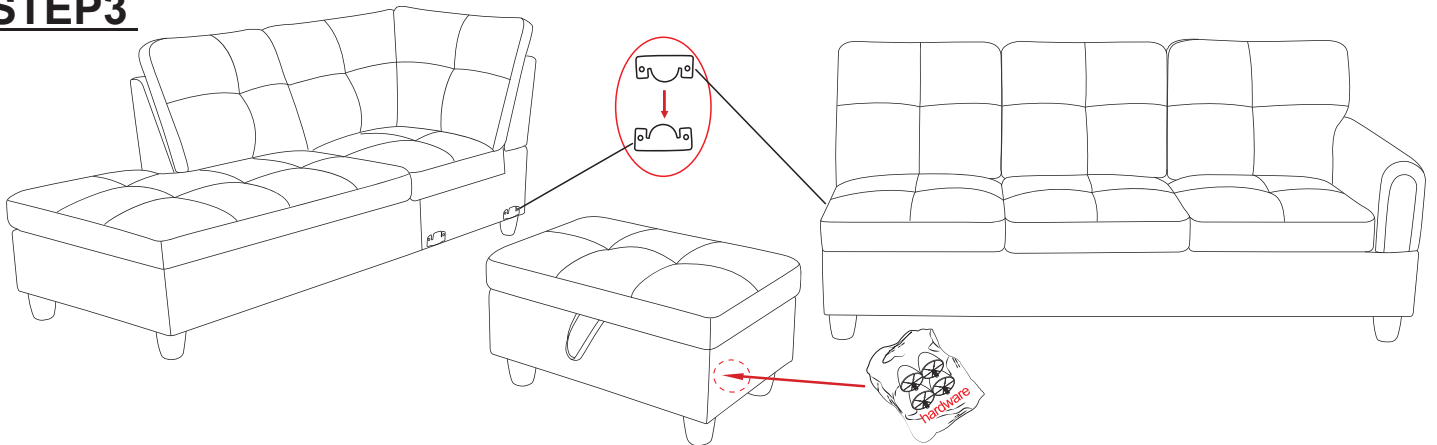
compartment underneath the seat area.



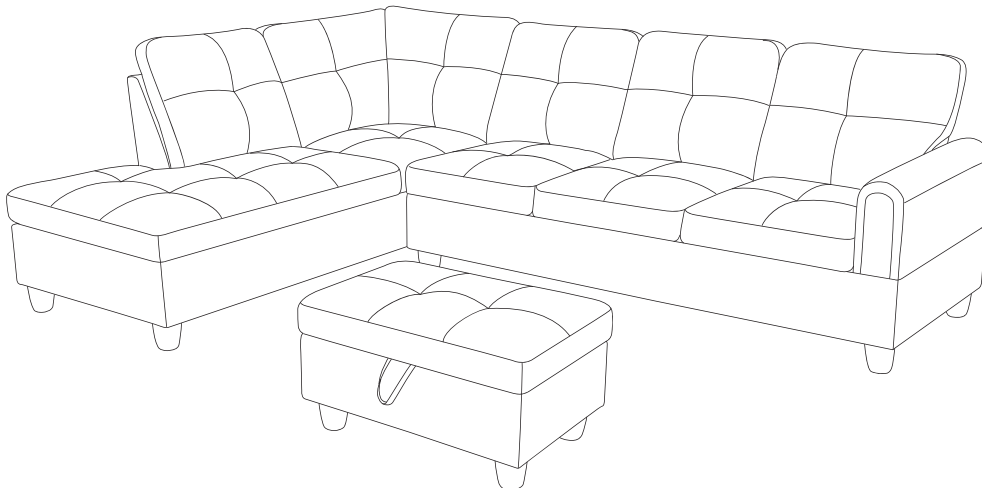
## STEP2



## STEP3

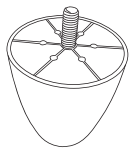



## STEP4



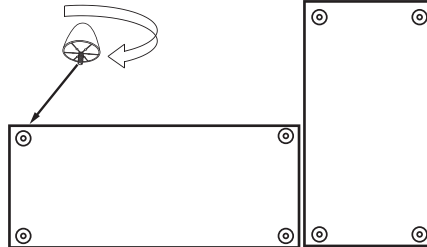
# ASSEMBLY INSTRUCTION

Please follow below Assembly Instruction step by step.

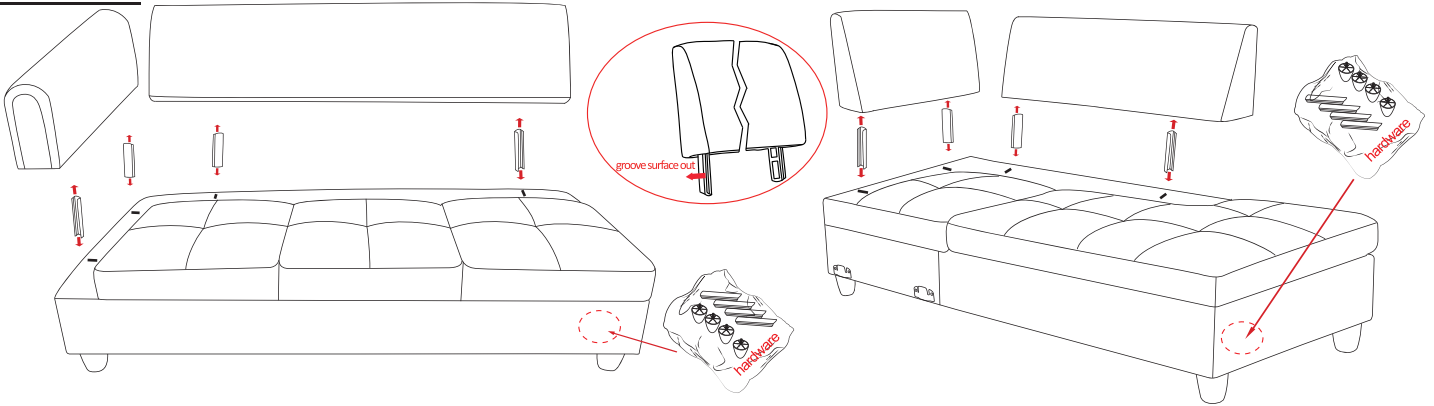
HARDWEAR LIST		
NO.	DESCRIPTION	QTY (pcs)
A	 leg	12
B		8

## STEP1

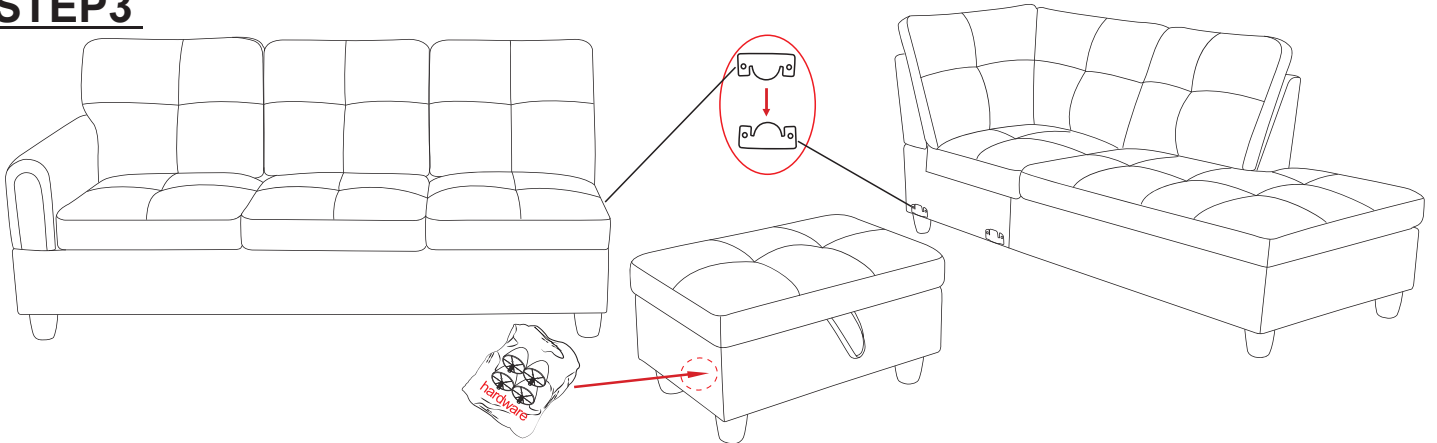
ATTENTION:  
LEGS LOCATION:  
Please check zipper compartment underneath the seat area.



## STEP2



## STEP3



## STEP4

