

OP7092-2BK
OPERATIONS MANUAL

Instruction



Where to Place Your Outdoor Wall Lights

If you have one light next to your entryway or garage door, then it should be 1/3 of the height of the door. If you will be placing one light on each side of the door, then the lights should be 1/4 of the height of the door. To do this, measure from the floor to the top of your door, then divide by 4 for two lights or 3 for one light. For example, if your door is 80" tall, divide by 4, and buy two lights that are each 20" tall. The lights should also be placed 66" from the floor or ground to properly illuminate the lock and handle. Lights should also be placed 6" from the edge of the door. If you choose to have only one light, make sure it is placed on the side of the door closest to the door handle.

Helpful Tip: This product is equipped with a dusk-to-dawn sensor. Please pay attention to the installation height to ensure that no objects such as eaves cover the sensor, as this may cause the light to remain on constantly.

Assembly & Installation Instructions

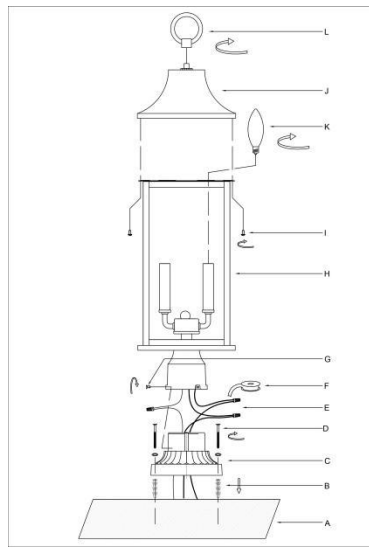
Dear Customer :
 Thank you for choosing us!
 We appreciate your business. Should you have any questions or encounter any issues, please don't hesitate to contact us. You can reach us via email at support@4modernhome.com or by calling 469-3126428. Our team is dedicated to ensuring your complete satisfaction with your purchase. We value your feedback, as it helps future customers in making informed decisions. We encourage you to share your experience by leaving a brief product review on the platform where you made the purchase. Once again, thank you for choosing us!

Best regards!
[Support Team]

Warning: If any special control devices are used with this fixture, follow the instructions carefully to assure full compliance with N.E.C.requirements. If there are any questions, contact a qualified electric contractor.

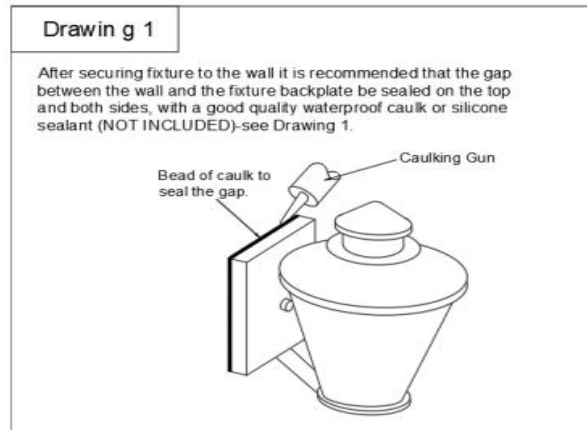
Warning: California Residents Proposition 65
 This product contains lead, a chemical known to the state of California to cause cancer and birth defects or other reproductive harm. Do not place the product in your mouth. Wash your hands after handling this product.

Caution: It is highly recommended to get an electrician to install this light. Please make sure to turn the electricity off at the main circuit breaker before beginning installation. All glass is fragile. Use care when handling glass component(s) and/or lamp(s).



Applicable bulb type: B10、
 B11、 C35 、 C7、 C9 ...

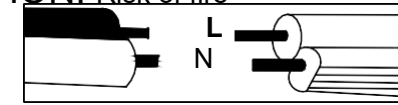
Helpful Tip: This product is equipped with a dusk-to-dawn sensor. Please pay attention to the installation height to ensure that no objects such as eaves cover the sensor, as this may cause the light to remain on constantly.



WIRE CONNECTION DIAGRAM

Wires meeting safety standards are required to connect the electrical circuit.

CAUTION: Risk of fire



Please read all instructions carefully. Before you proceed to install, make sure that the power supply is turned off and remains off until installation is completed.

PARTS INCLUDED

Code	Part Description	QTY
A	Fixes the plane of the lamp holder	0
B	Expanding plastic pellets	4
C	Base	1
D	Mounting screws1	4
E	Terminal blocks	3
F	Electrical tape	0
G	Mounting screws 2	3
H	Lamp body	1
I	Mounting screws 3	2
J	Lamp cover	1
K	Light bulb	0
L	Rings	1

OP7092-2BK installation steps:

- Step 1: Unscrew screw I from the lamp and remove the lamp cover J;
- Step 2: Remove the lamp socket C from the lamp body H;
- Step 3: Position the drilling hole on the fixed plane A, and nail the expanded plastic granule B into the hole
- Step 4: Fix the base C on platform A with long screw D;
- Step 5: Use the terminal E to connect the black, white, the ground line and the input line respectively, And wrap them separately with electrical tape
- Step 6: Fix the lamp body H mount on the base C with screw G;
- Step 7: Transfer the bulb K knob to the lamp body;
- Step 8: Lock the lamp cover J on the lamp body H with screws I;
- Step 9: Twist the ring L on the light cover J

Installation completed

