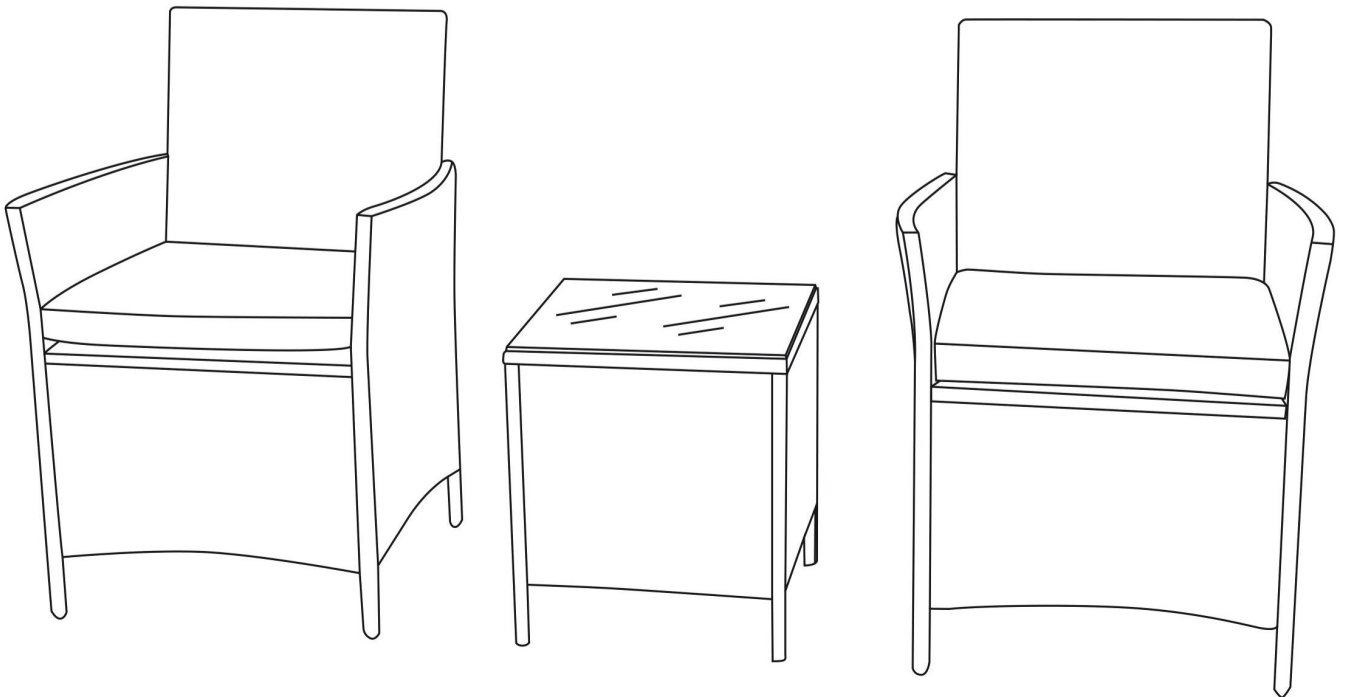


ASSEMBLY INSTRUCTIONS

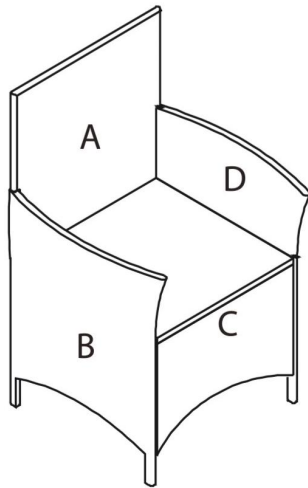
▪ 3-Piece

Rattan Patio Furniture Set



Parts

Check and make sure you get the components on the list, contact us for any missing




■ 2-Single Rattan Chair

A :Rattan Chair Back  1 pcs

B :Rattan Chair Right Armrest  1 pcs

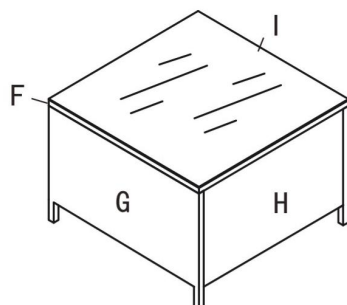
C :L Seat  1 pcs

D :Rattan Chair Left Armrest  1 pcs

M6 Screw  M6X30
11 pcs

Washer  11 pcs

■ Install Tool  1 pcs





■ 1-Rattan Coffee Table

F :Surface of the table  1 pcs

G :Left Right Coffee Table Bezel  2 pcs

H :Front Behind Coffee Table Bezel  2 pcs

I :Rattan Coffee Table Glass  1 pcs

M6 Screw  M6X30
12 pcs

Washer  12 pcs

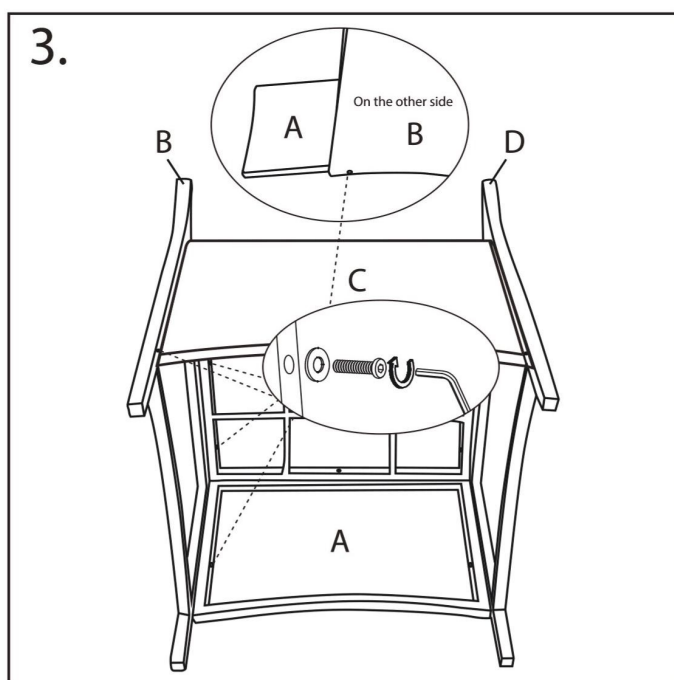
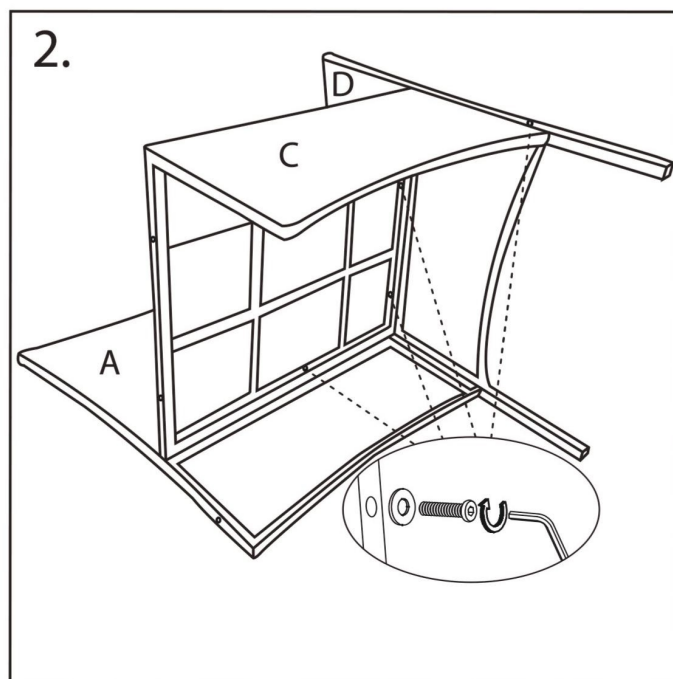
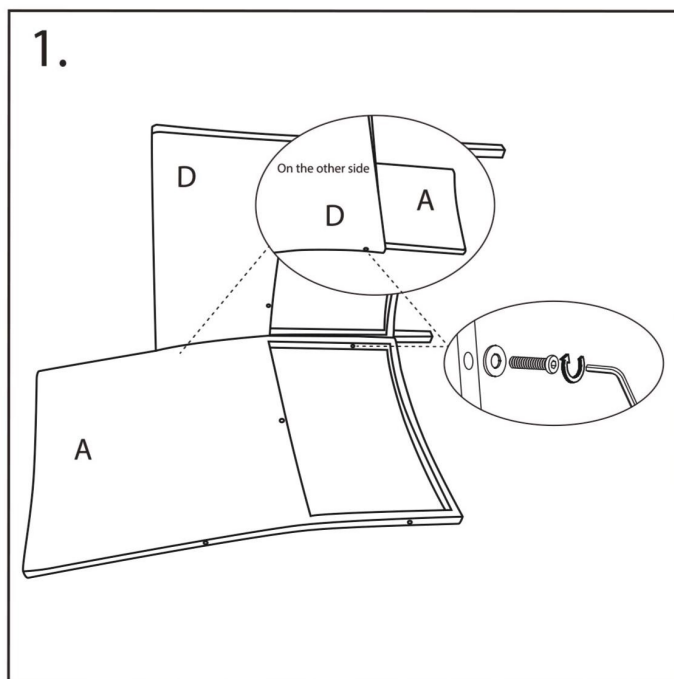


Tips: DO NOT tighten any screws until all the parts are put together.

Assembly steps

Tips: DO NOT tighten any screws until all the parts are put together.

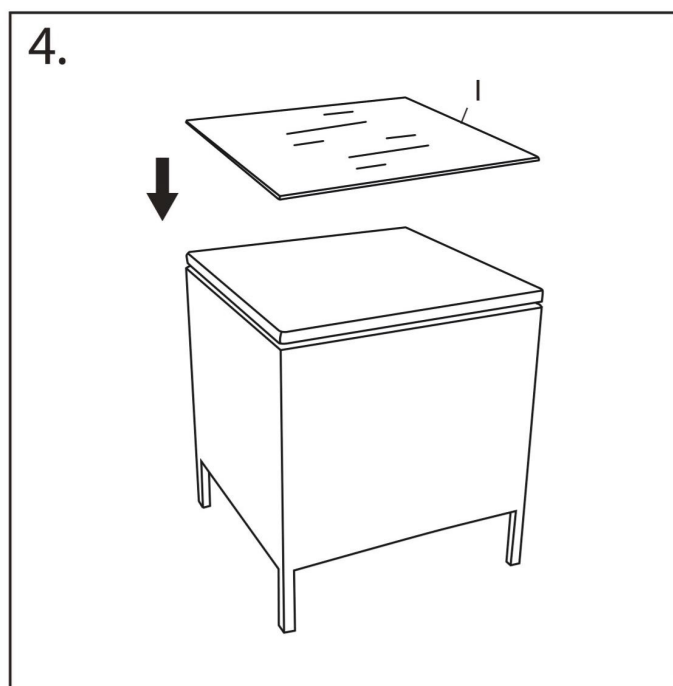
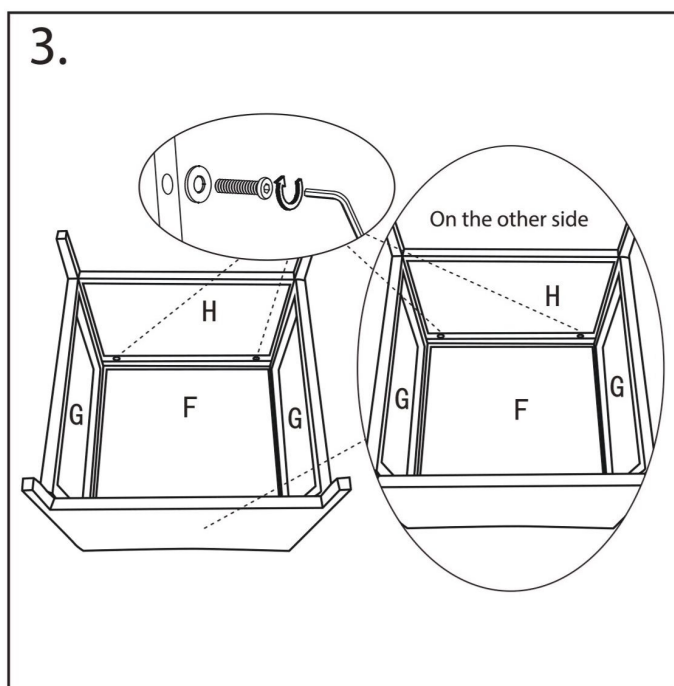
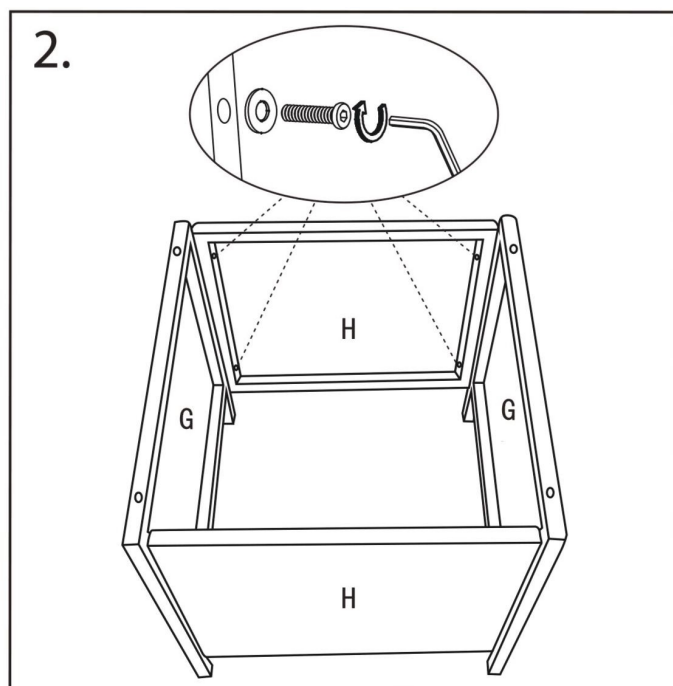
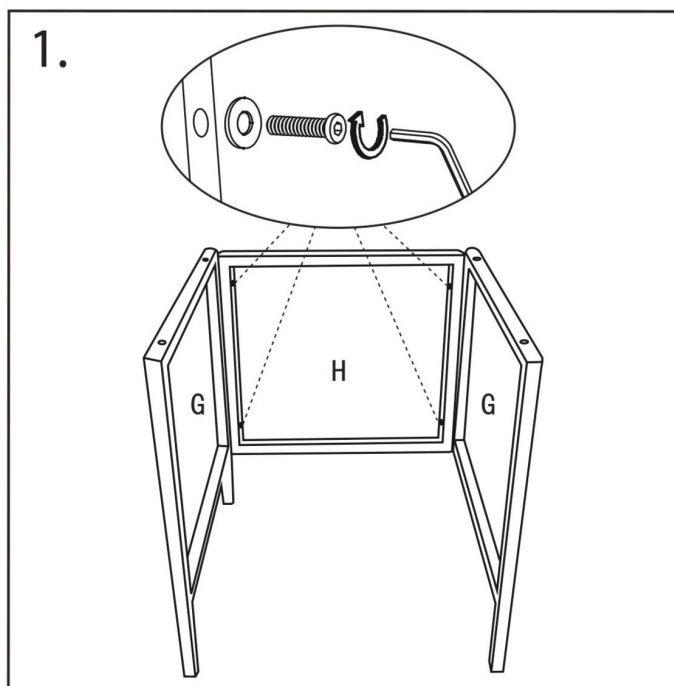
■ Single Rattan Chair Assembly step



Assembly steps

Tips: DO NOT tighten any screws until all the parts are put together.

■ Rattan Coffee Table Assembly step



■ Dear Customers

Thanks for buying from us. Hope you are pleased with your purchase. Any problem or suggestion concerning our products and online service, please kindly contact us .

We are looking forward to provide you the best experience again!

Wish you a nice shopping!

Notice:

1. Remove the sponge from the cushion when washing.
2. Hand wash only. The washing machine and brush harm the fabric.



Yours sincerely