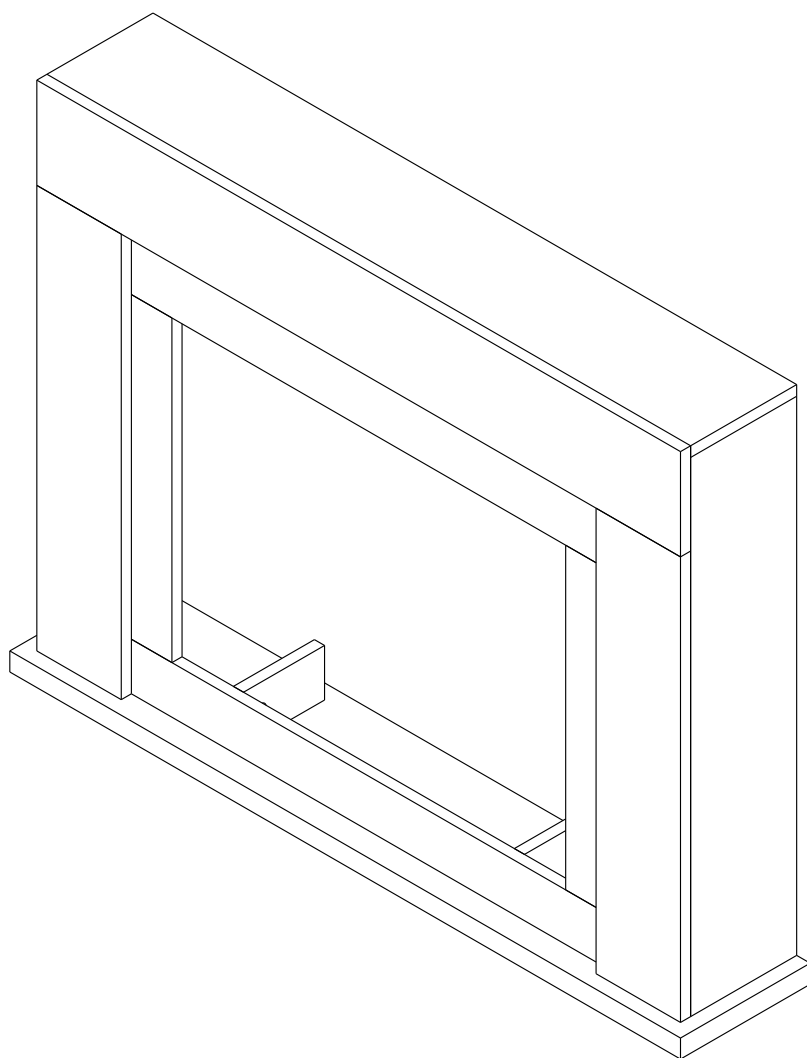


FIREPLACE MANTEL

ASSEMBLY INSTRUCTIONS

MT447D

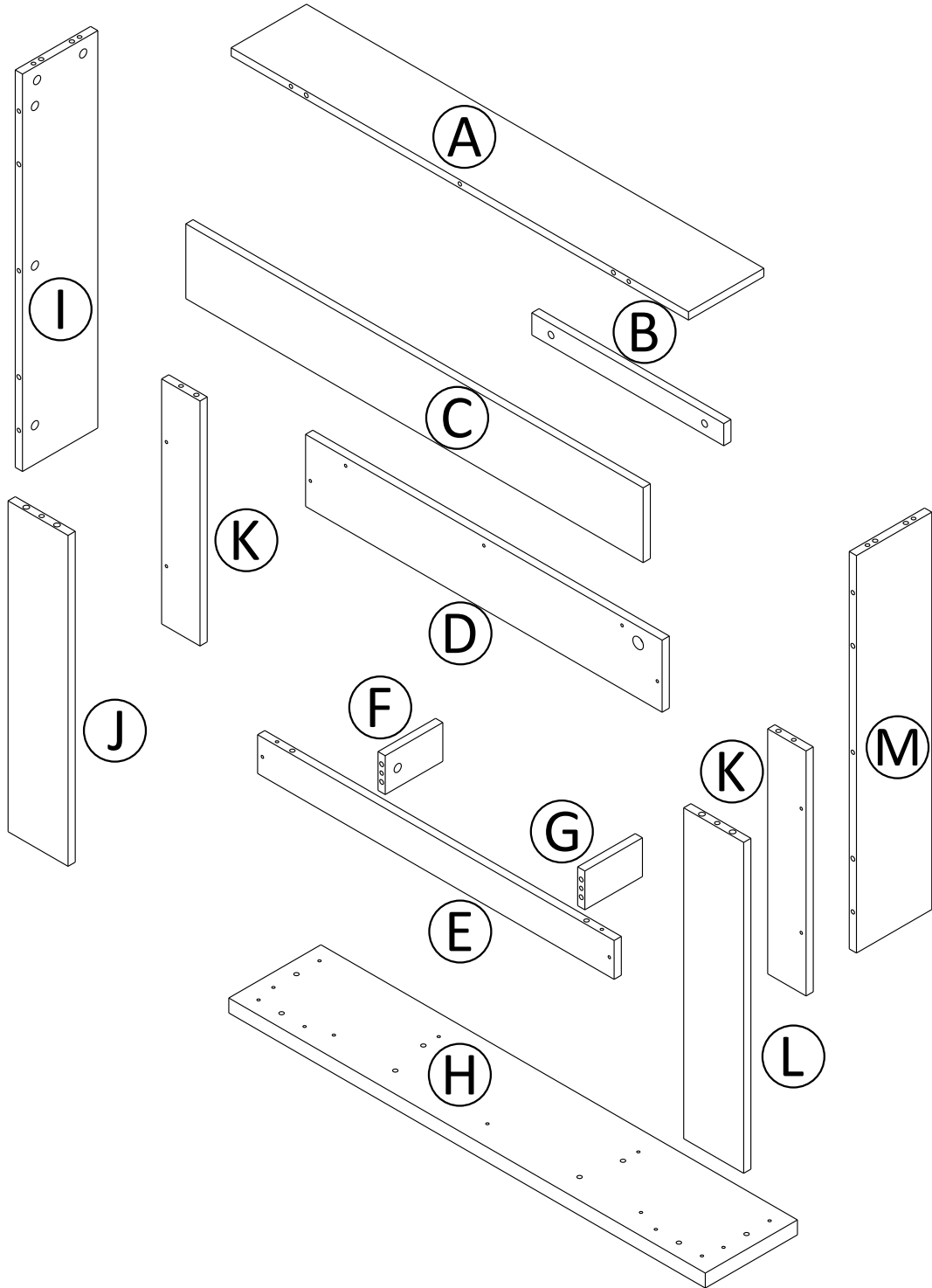


If you have a problem with this product, **DO NOT RETURN.**

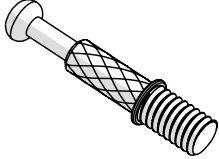
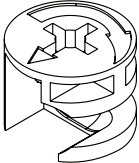

Call our customer service ,Tel: 01785 719005, or

E-mail: customerservice@moddelo.co.uk

PARTS LIST

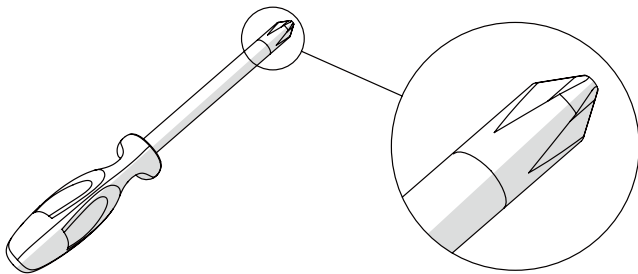


ACCESSORIES

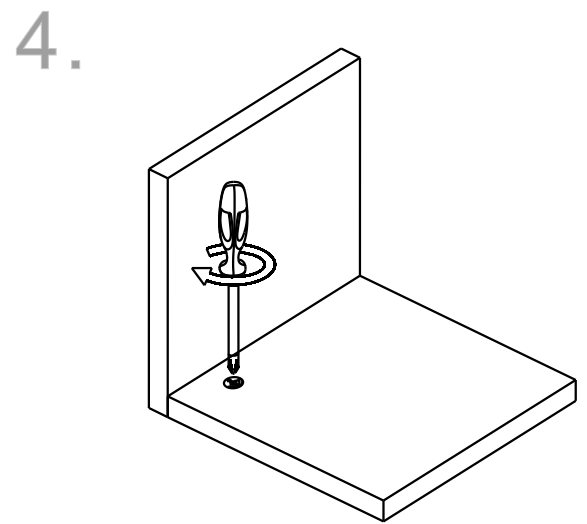
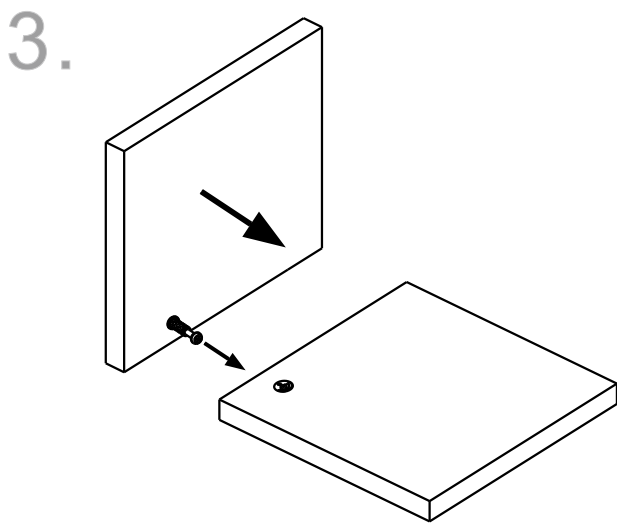
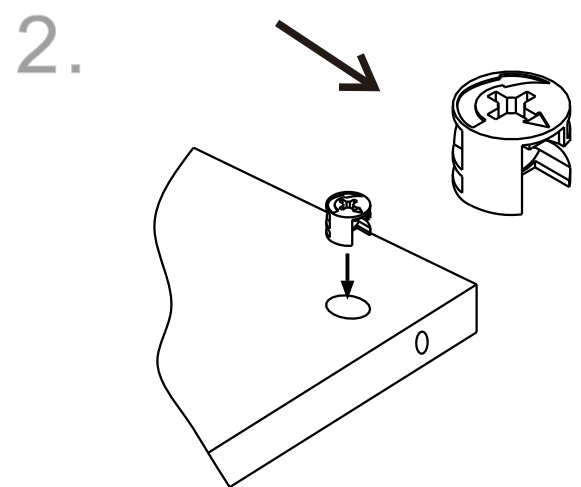
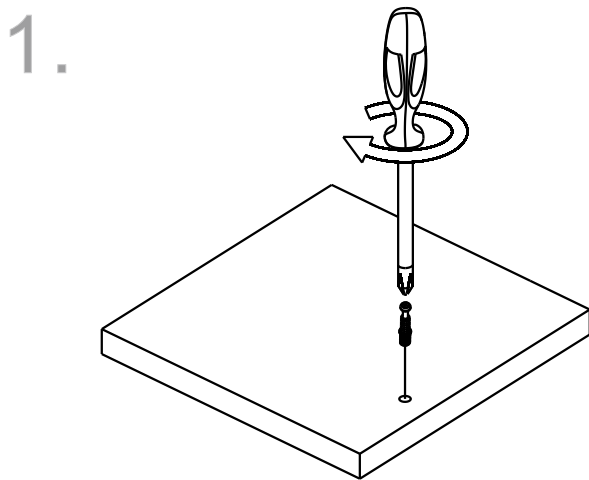
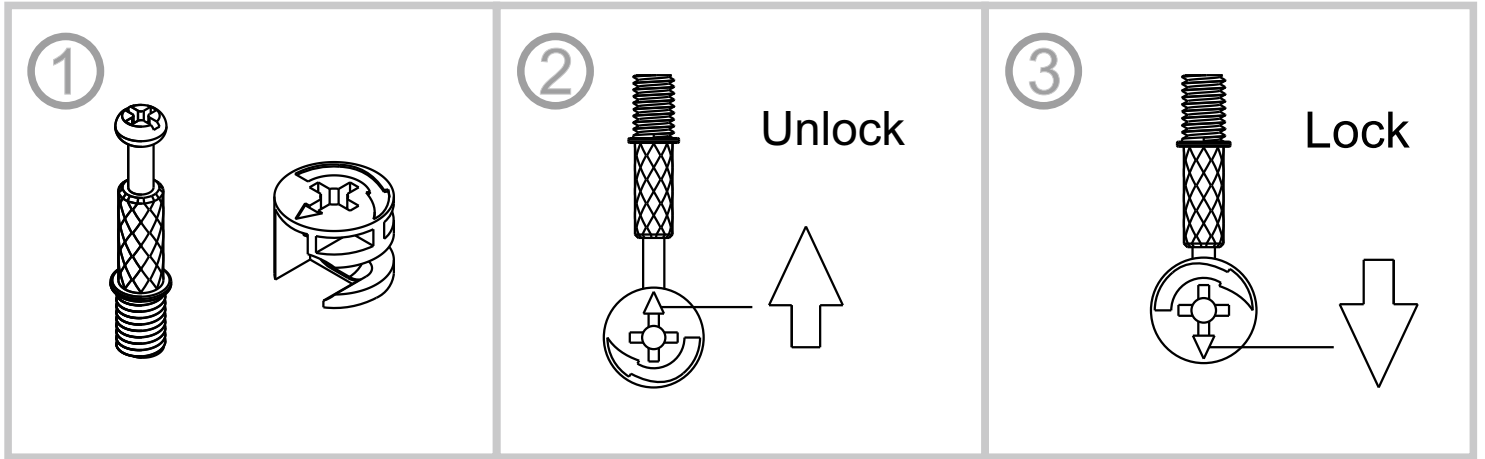
12x 	14x 	30x 
ST4 x 25 mm	ST4 x 40 mm	Φ 8 x 30 mm
24x 	24x 	6x 
M6 x 34.5 mm	Φ15 x 11.5 mm	
3x 	3x 	
M6 x 28 mm		

TOOLS REQUIRED

A screwdriver will be needed



CAM LOCK FASTENING SYSTEM

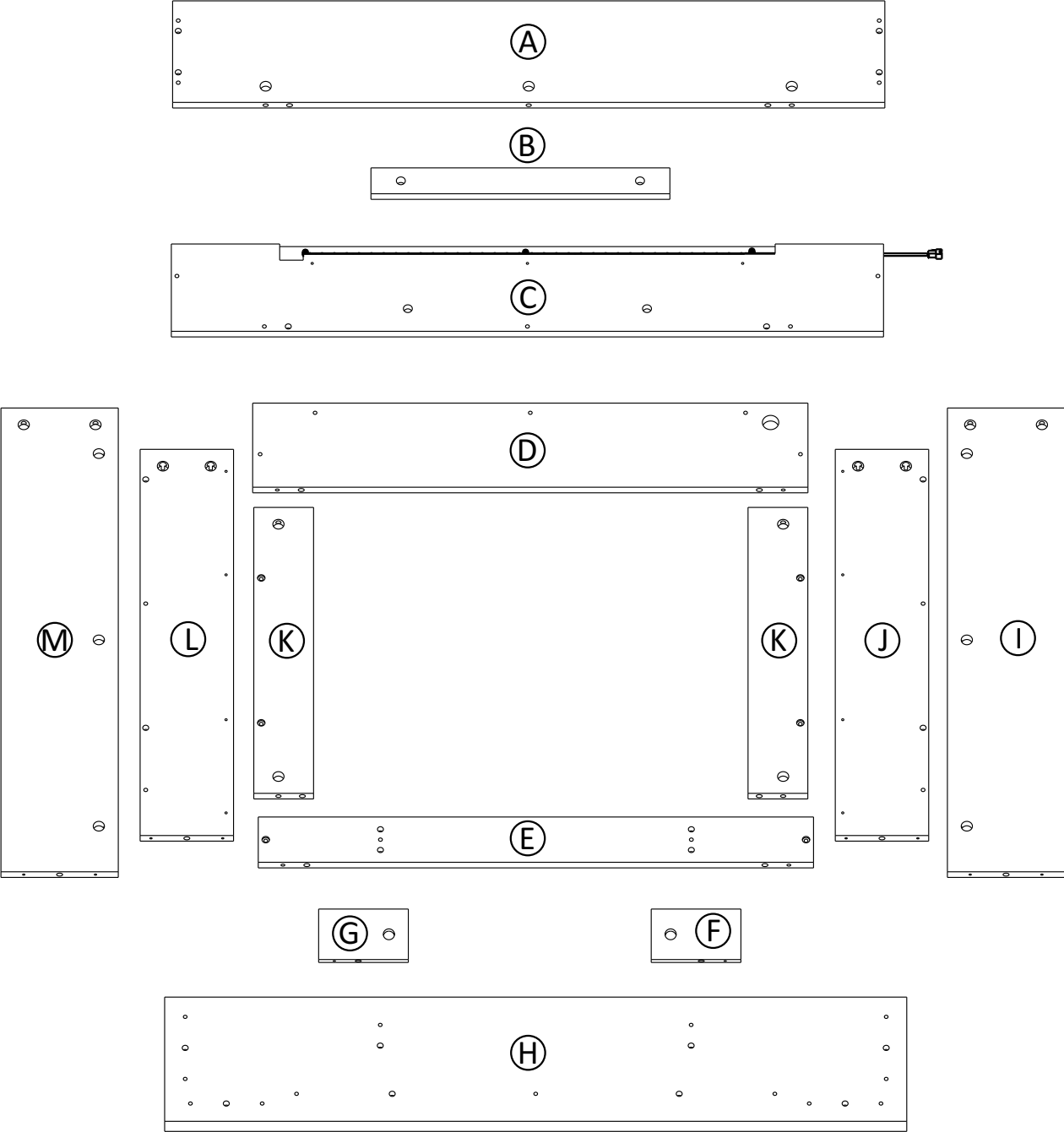


This cam lock fastening system will be used throughout the assembly process.

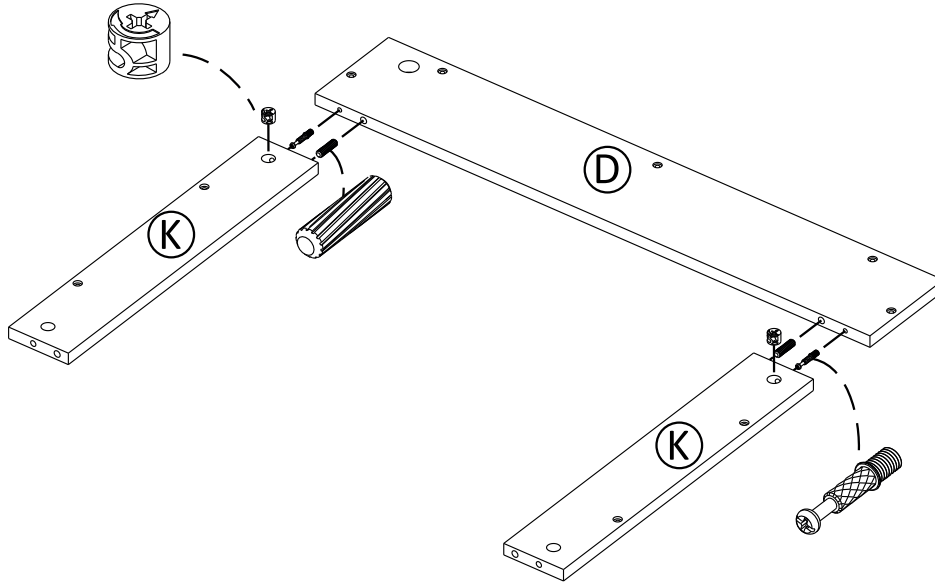
ASSEMBLY INSTRUCTIONS

STEP 1

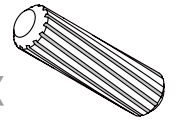
Take out all the parts, as shown on the floor. Please pay attention to protect the board surface.



STEP 2

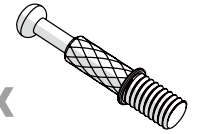


2x



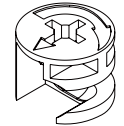
Ø 8 x 30 mm

2x



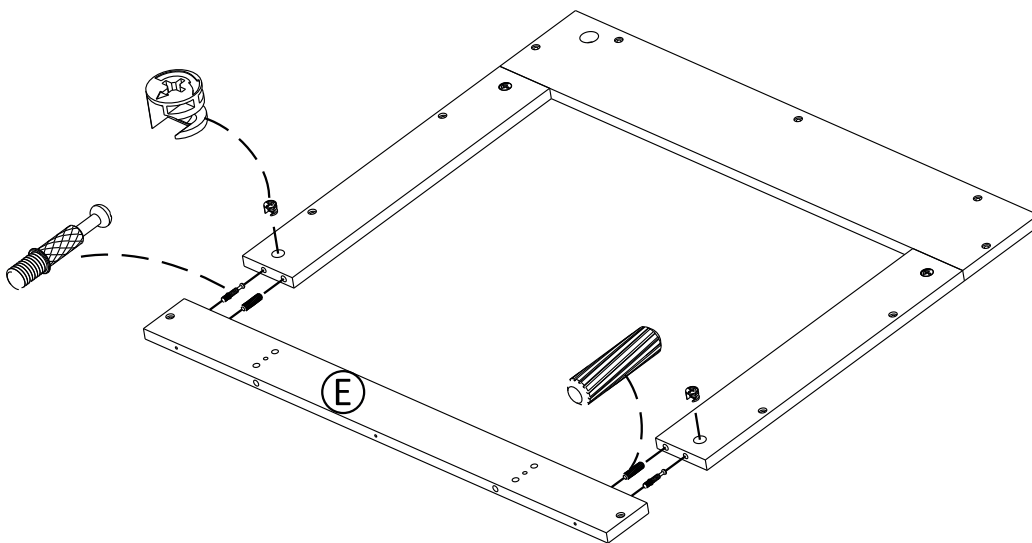
M6 x 34.5 mm

2x

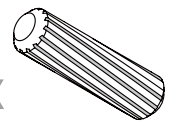


Ø15 x 11.5 mm

STEP 3

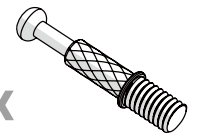


2x



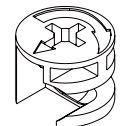
Ø 8 x 30 mm

2x



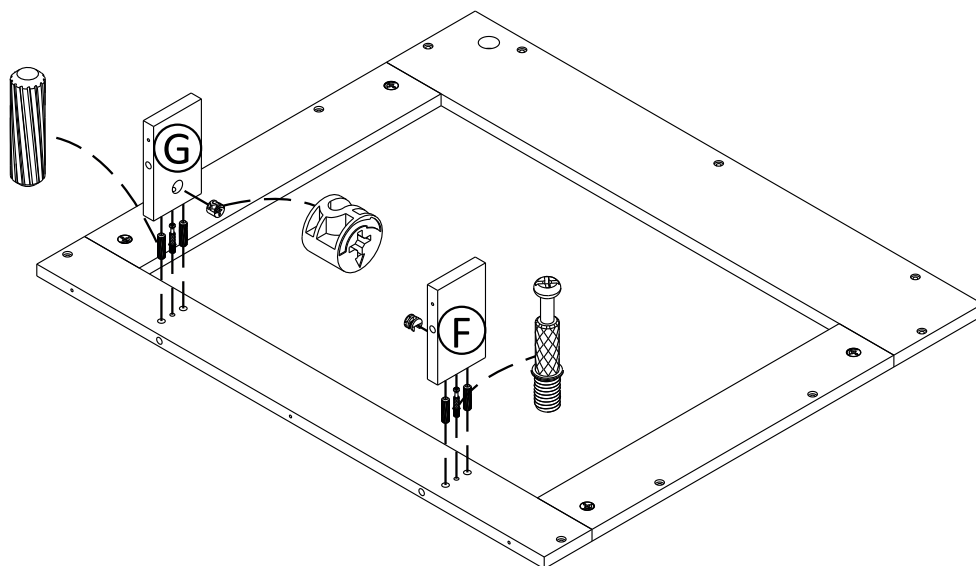
M6 x 34.5 mm

2x



Ø15 x 11.5 mm

STEP 4



4x

Φ 8 x 30 mm

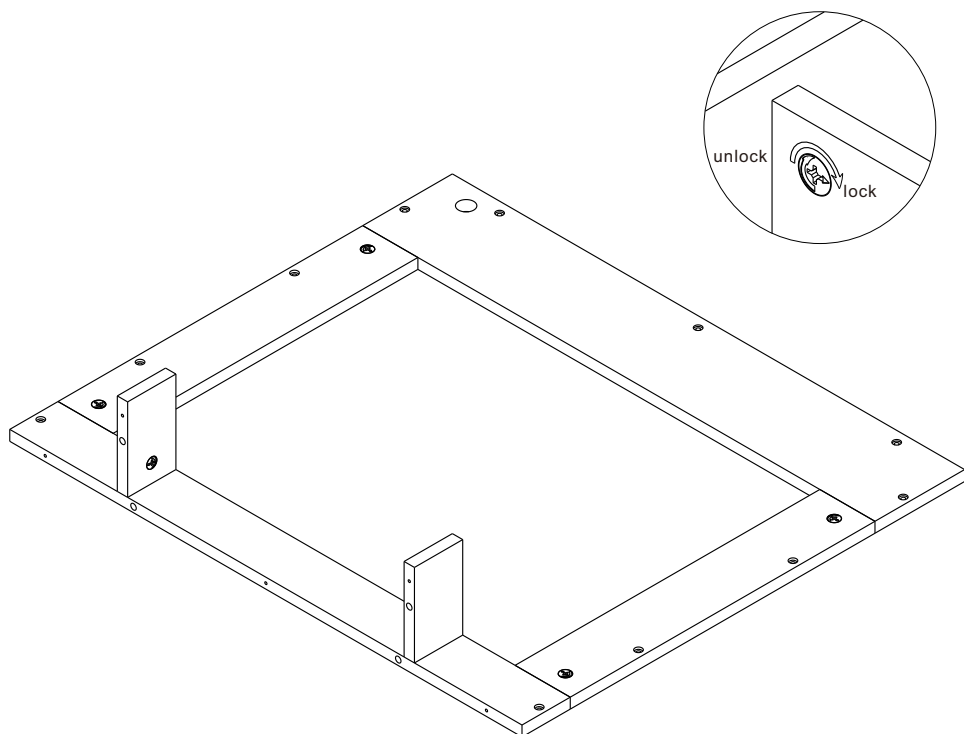
2x

M6 x 34.5 mm

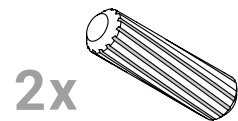
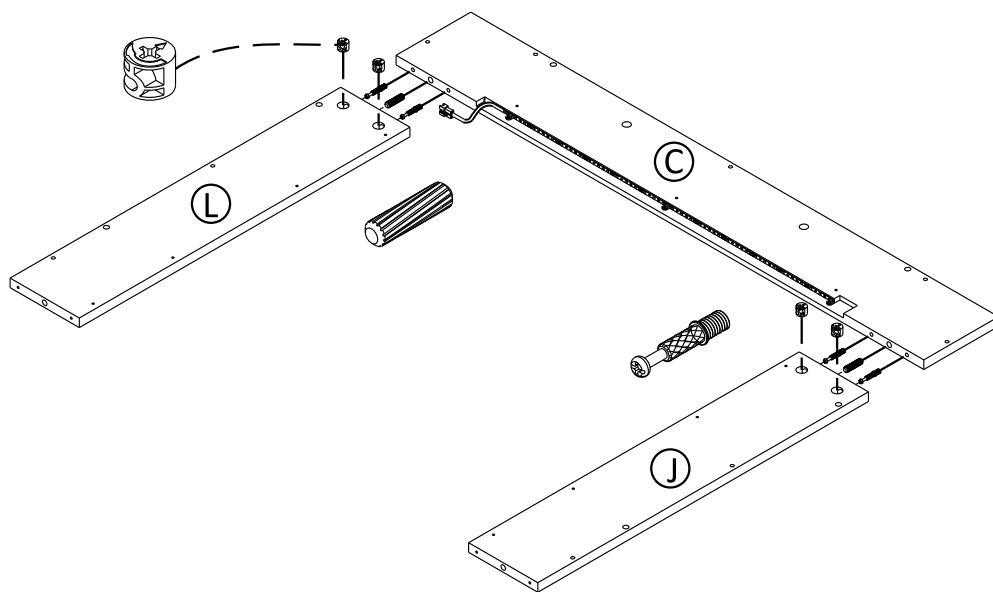
2x

Φ15 x 11.5 mm

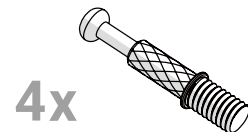
STEP 5



STEP 6



Φ 8 x 30 mm

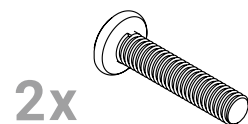
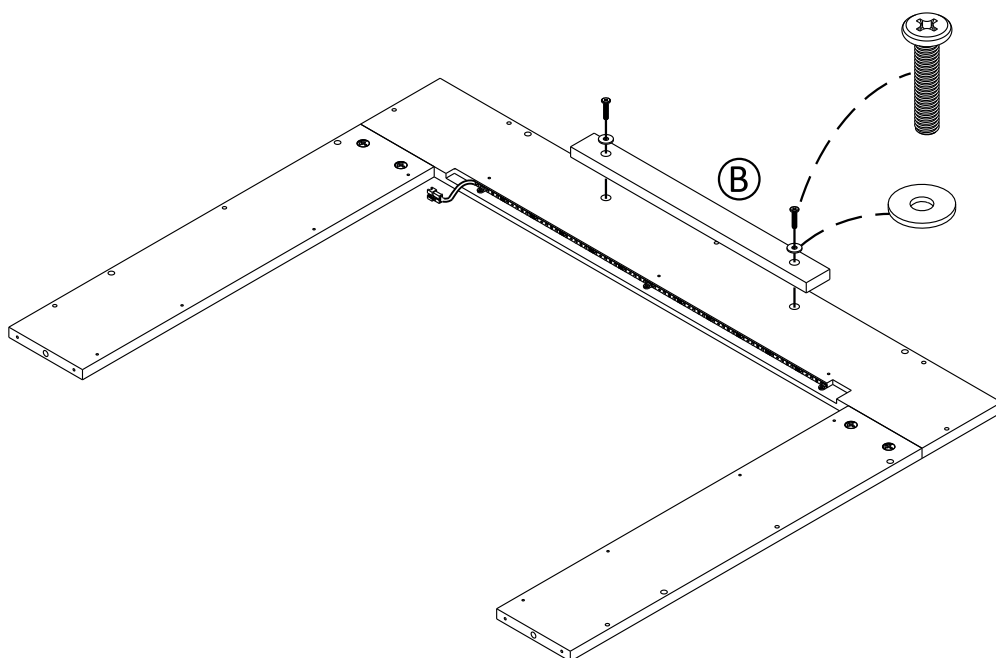


M6 x 34.5 mm



Φ15 x 11.5 mm

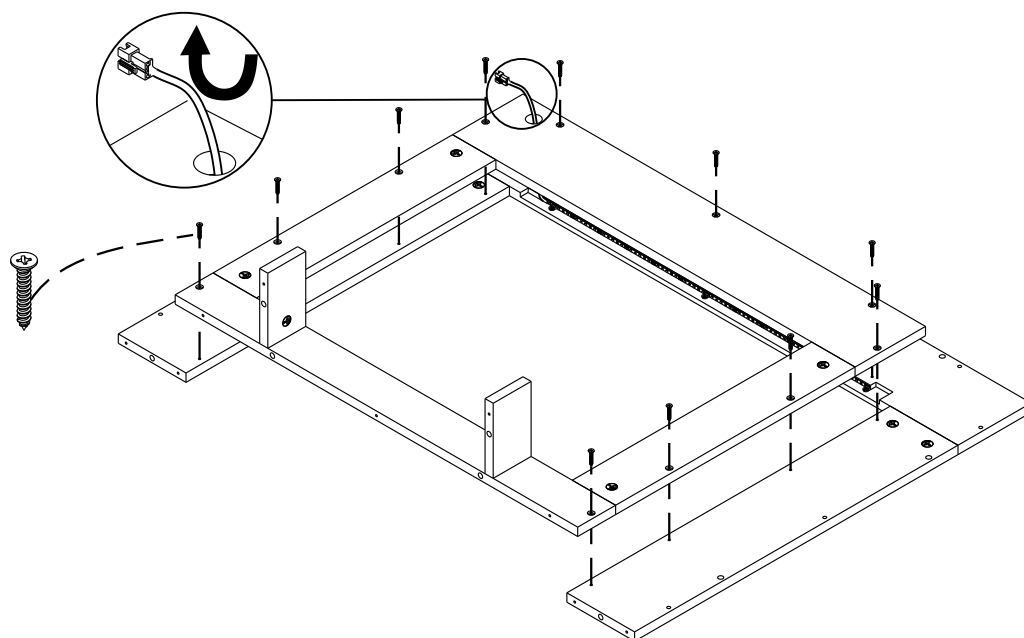
STEP 7



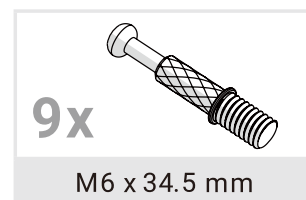
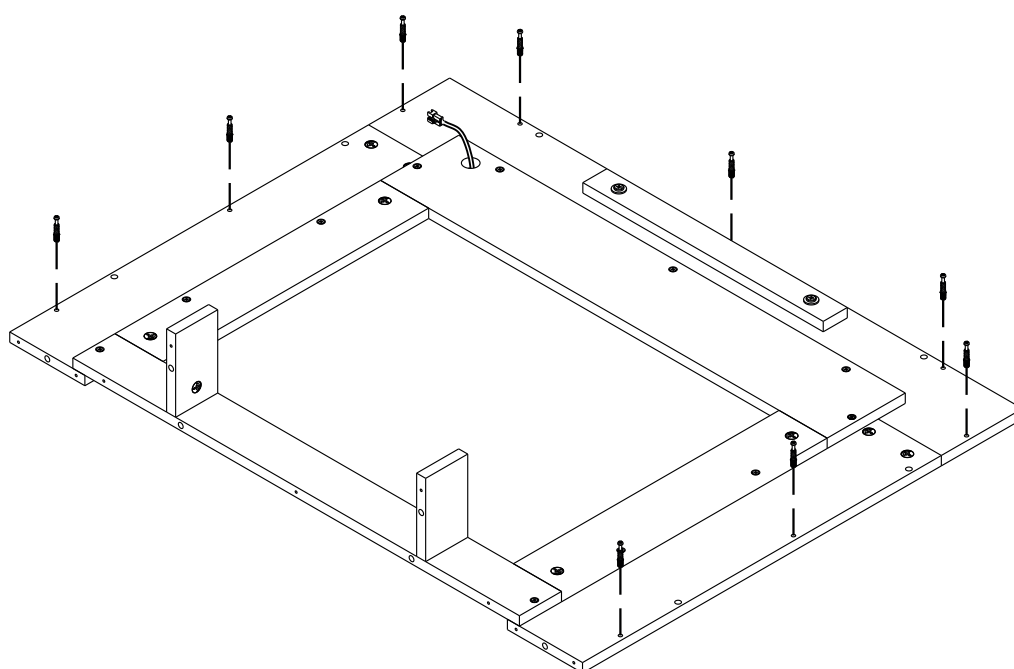
M6 x 28 mm



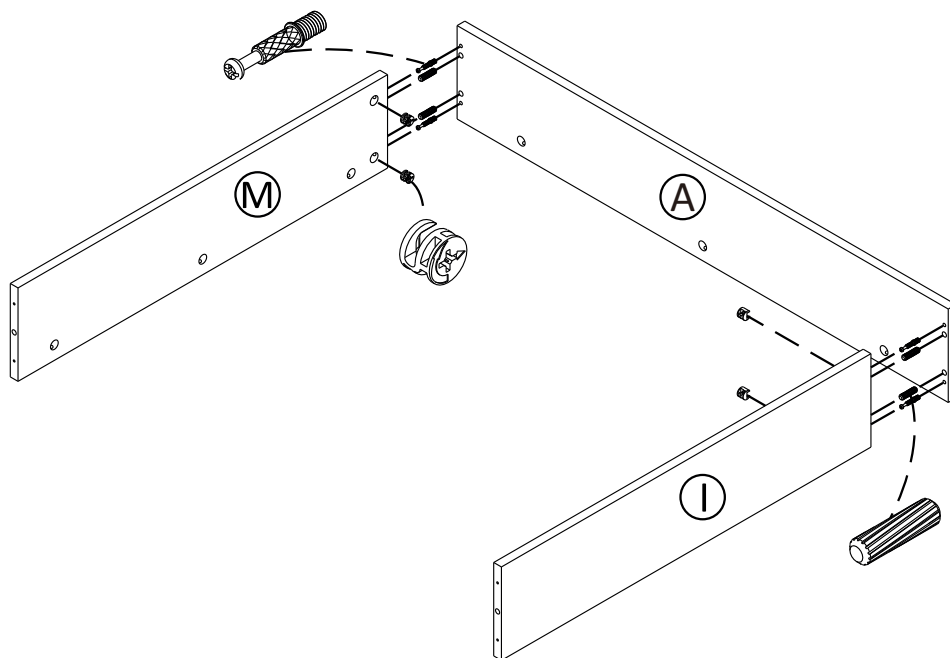
STEP 8



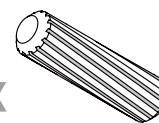
STEP 9



STEP 10

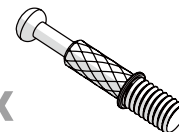


4x



Ø 8 x 30 mm

4x



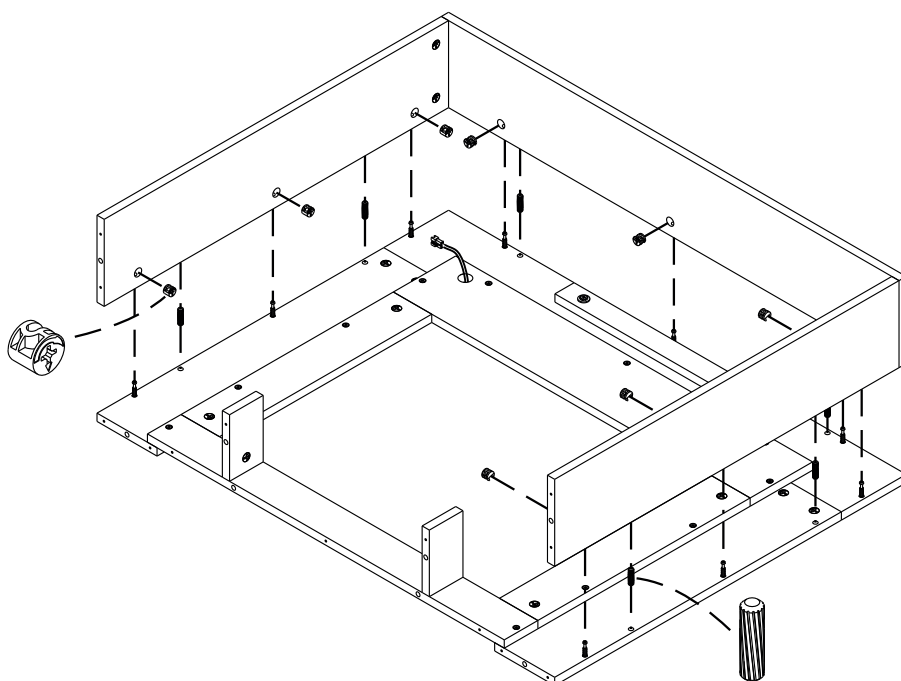
M6 x 34.5 mm

4x

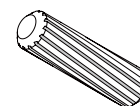


Ø15 x 11.5 mm

STEP 11



6x



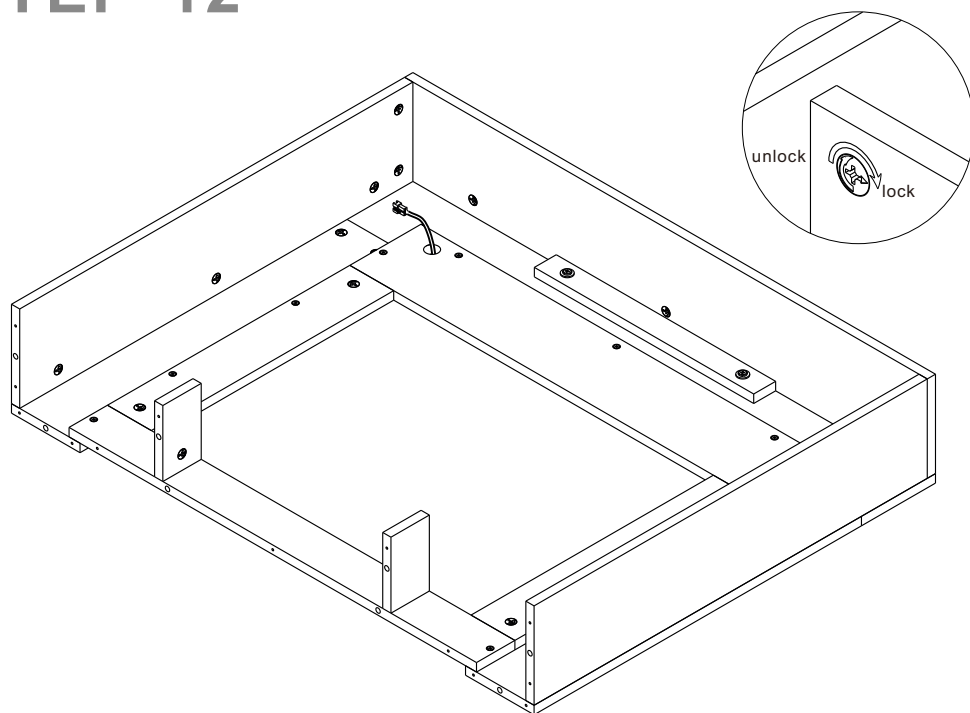
Ø 8 x 30 mm

9x

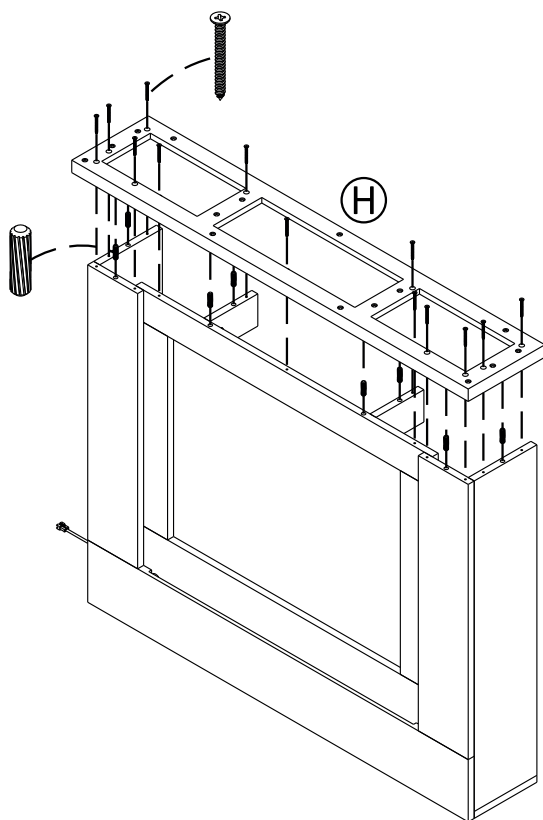


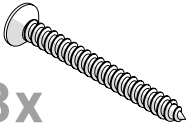
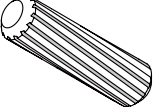
Ø15 x 11.5 mm

STEP 12

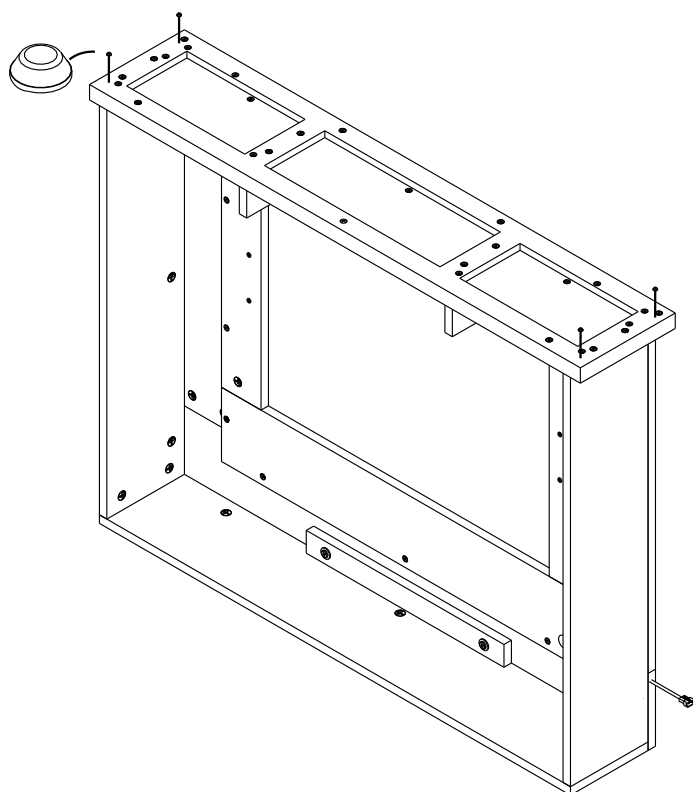


STEP 13

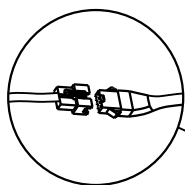



13x ST4 x 40 mm

8x Φ 8 x 30 mm

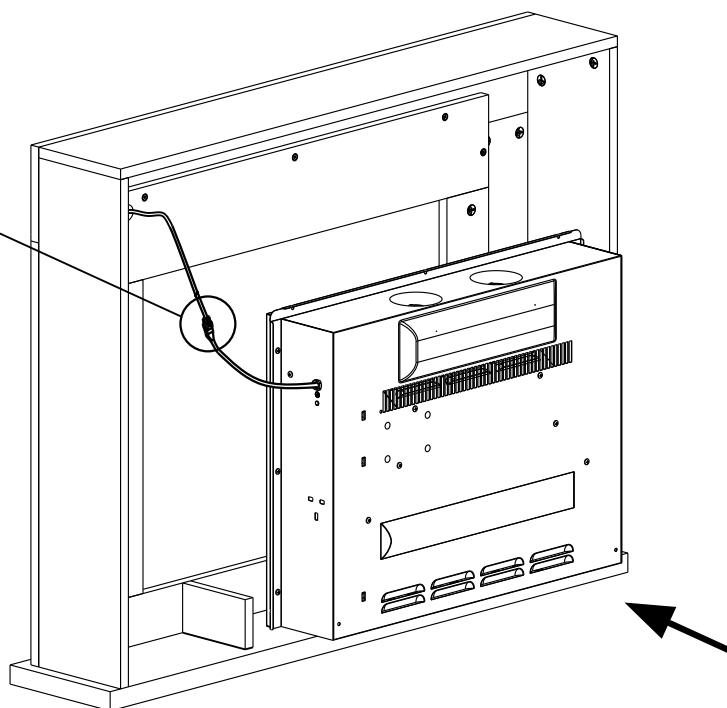
STEP 14



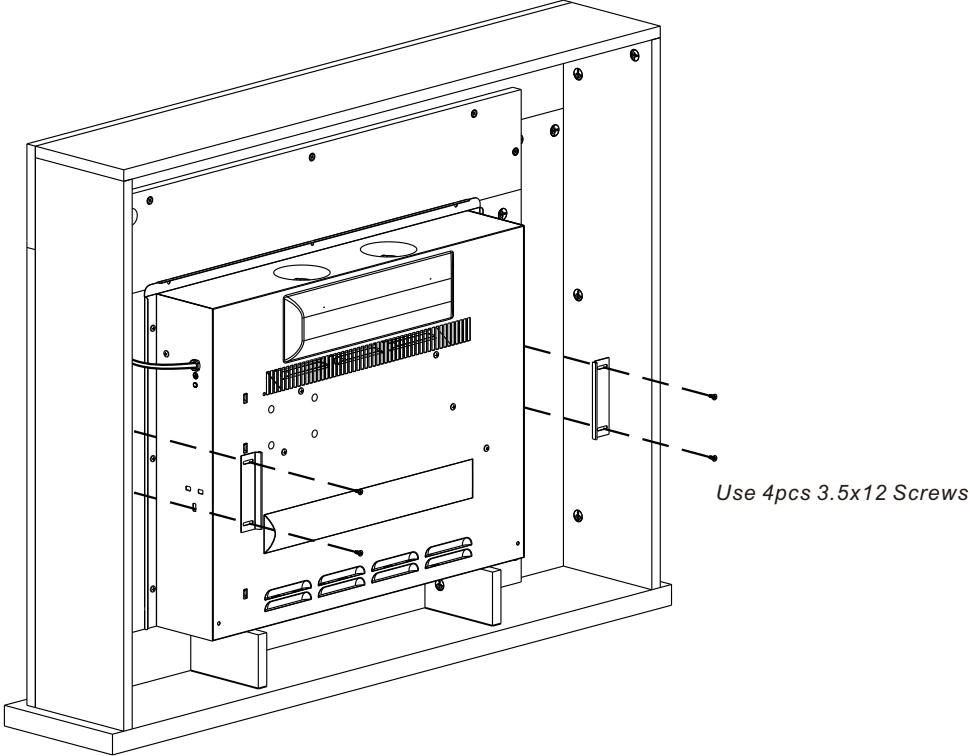
STEP 15



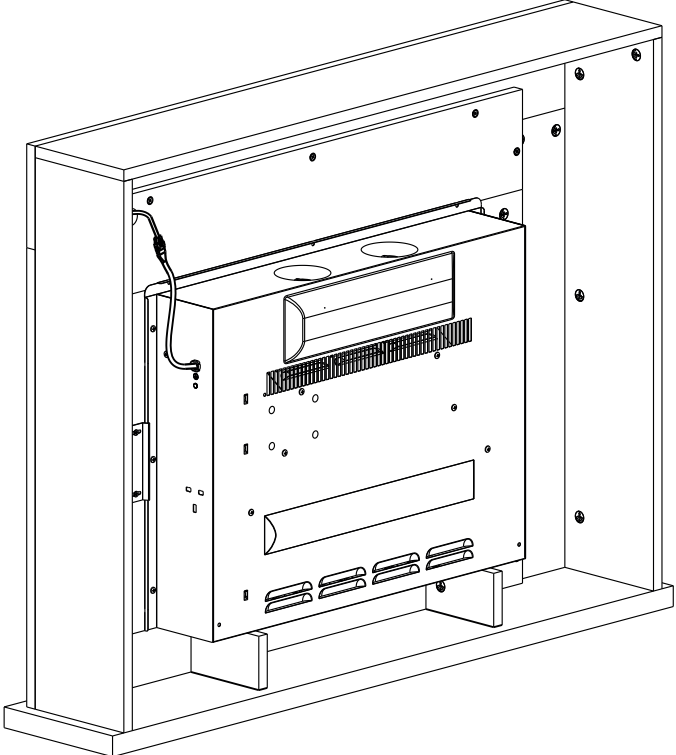
Connect Mood Light Cable



STEP 16



STEP 17



Distributor: Modelo Ltd
Unit 6A-6E,
Airfield Industrial Estate,
Hixon,Staffordshire,ST18 0PF

Tel: 01785 719005

Email: customerservice@modelo.co.uk