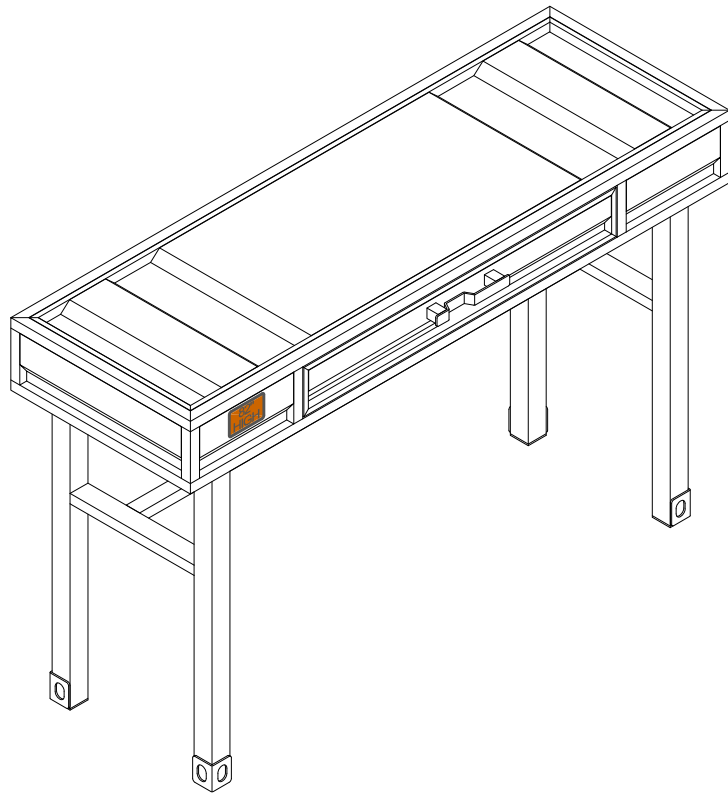


ASSEMBLY INSTRUCTIONS

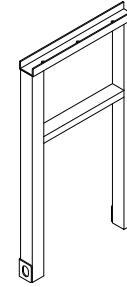
MODEL : BM204616



Do not tighten screws until completely assembled.

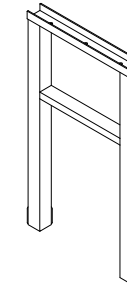
PARTS IDENTIFICATION

A



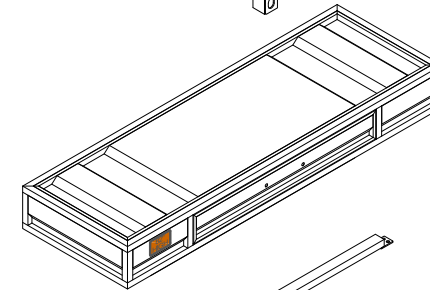
Left 1pc

B



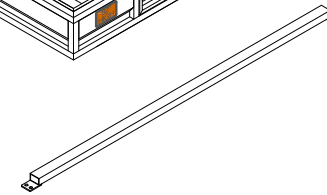
Right 1pc

C



1pc

D



1pc

HARDWARE LIST

1

M6x15



10pcs

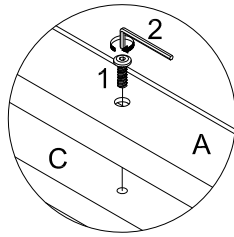
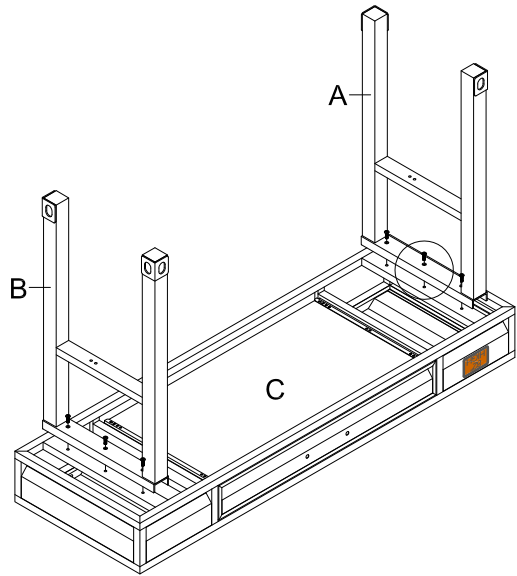
2


4x4



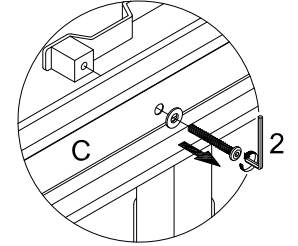
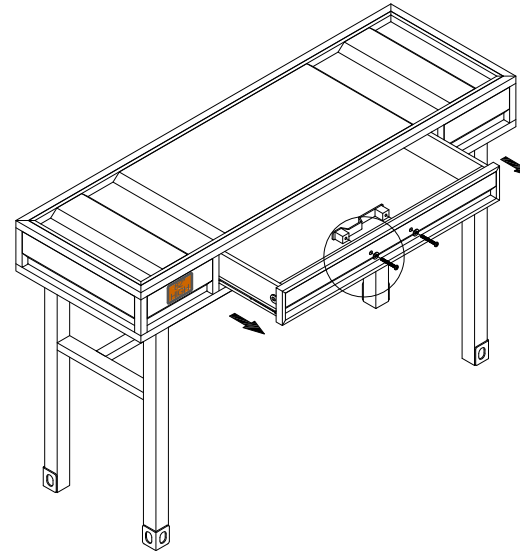
1pc

STEP 1.

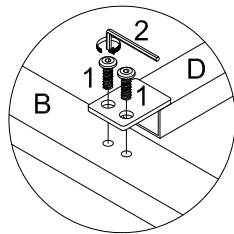
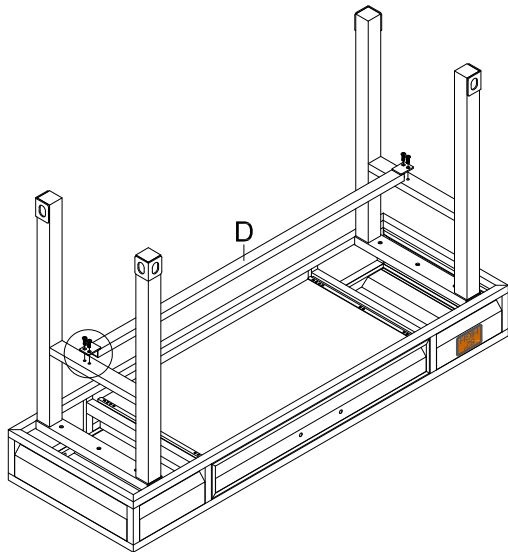



1
M6x15  6pcs

STEP 3.



STEP 2.



1
M6x15  4pcs

STEP 4.

