

## Specifications

|                          |  |   |   |
|--------------------------|--|---|---|
| Rated voltage            |  | 100-130V~ 50-60Hz                                   |   |
| Power cord length        |  | About 1.2m (48 in)                                  |   |
| Cleaning                 | Water volume   | Rear wash   | About 0.4L (0.11 gal)-0.7L (0.18 gal)/min<br>(water pressure 0.2MPa, 3 levels adjustment) |
|                          |  | Bidet wash  |   |
|                          | Swing  |   | Oscillating cleaning forward and backward   |
|                          | Massage  |   | Two options: press once for interval cleaning, press twice for continuous cleaning        |
|                          | Water volume /nozzle position                                |   | 3 levels adjustment   |
|                          | Water temperature range                                      |   | About 95°F-107°F (3 levels adjustment)  |
| Safety device            |  | Temperature limit circuit, thermostat, thermal fuse |   |
| Drying                   | Warm wind temperature  |   | About 89°F-134°F (3 levels adjustment)  |
|                          | Safety device  |   | Bimetallic thermostat, thermal fuse   |
| Seat                     | Surface temperature  |   | 3 levels adjustment, room temperature about 107°F   |
|                          | Safety device  |   | Thermal fuse  |
| Self-cleaning            | Antibacterial seat/nozzle                                    |   | Antibacterial material/stainless steel nozzle   |
|                          | Automatic nozzle cleaning                                    |   | Self-cleaning   |
|                          | Pre-wetting  |   | Spray a circle of water after sitting   |
| Deodorization method     |  | Activated carbon deodorant                          |   |
| Toilet                   | Flush consumption  |   | 4.8 Lpf (1.28 Gpf)  |
|                          | Flushing mode  |   | Siphon jet  |
|                          | Rough-in   |   | 305mm (12.0 in)   |
| Rated power              | 1100W  | Maximum power                                       | 1600W   |
| Water supply temperature | 39°F-95°F  | Ambient temperature                                 | 37°F-104°F  |
| Dimension                | About 680 * 400 * 465 mm<br>(About 26.77 * 15.74 * 18.30 in) | Waterproof level                                    | IPX4  |
|                          |  | Net weight  | About 37.3kg<br>(about 82.2 lb)   |
|                          |  | Minimum necessary water pressure:                   | 0.16 MPa (over 20L (5.3 gal)/min when flowing)  |
|                          |  | Maximum water pressure:                             | 0.75 MPa (static pressure)  |

※1:Rated power: Set the water volume, seat temperature and water temperature to the highest level under the conditions of ambient temperature 68°F±41°F, inlet water static pressure 0.18MPa±0.02MPa, and inlet water temperature 59°F±33°F. Turn on the bidet function, and test the average power within 60 seconds after the temperature of the outlet water stabilizes.  
 ※2:Maximum power: Set the water volume, seat temperature, and water temperature to the highest level under the conditions of an ambient temperature of 73°F±35°F, an inlet static pressure of 0.18MPa±0.02MPa, and an inlet temperature of 41°F±33°F. Turn on the bidet function and continue to work stably at the maximum power for a cleaning cycle.  
 ※3:Water consumption test: Test the water consumption separately under the water pressure 0.16Mpa(over 20L (5.3 gal)/min when flowing) and 0.55Mpa three times. Get six values in total,then divide the sum by six and the average is the nominal water consumption.

1

## Safety precautions

To avoid the damage and asset losing to user and other people, please strictly follow up the safety warning and noting list. Please ensure to carefully read through the user manual before the assembly, and strictly follow up the user manual to do the assembly, please keep the user manual after reading.

### ⚠ Cautions

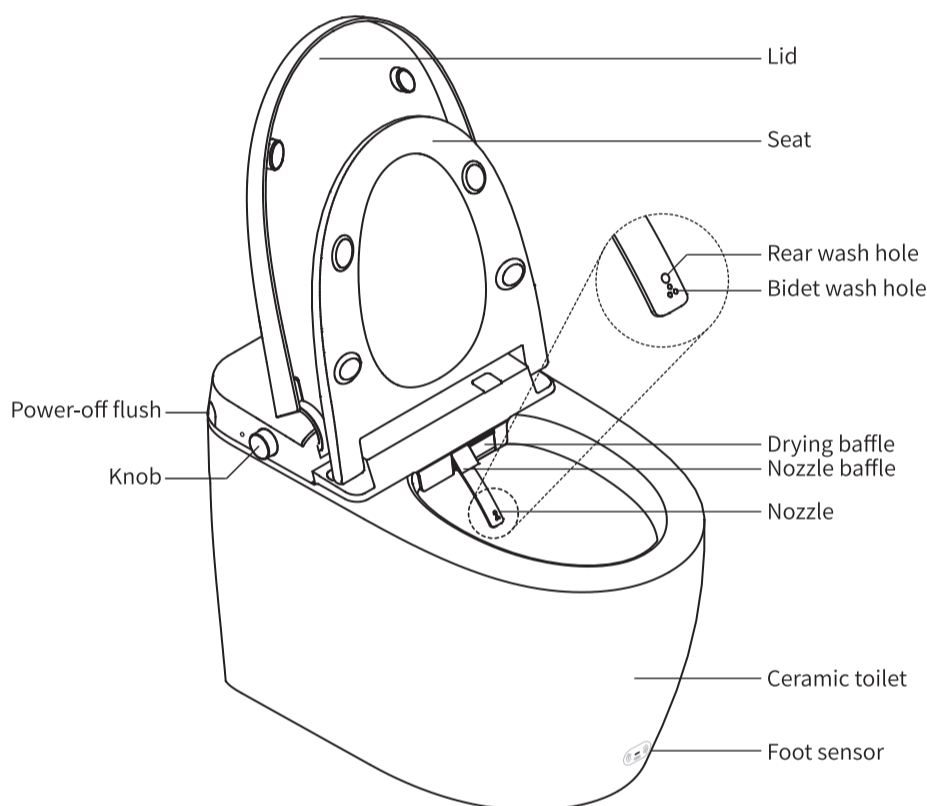
- When using in shower room, please install air exchange equipment to ensure the airy and drying in the shower room. This product is electric products, it is not allowed to install it in the place that is easy high wet, easy split by water,otherwise it might trigger electric shock or fire.
- Please ensure to cut off the electric power before washing this product, do not use water to directly wash this product, otherwise it might trigger the electric shock or fire.
- Please put and use this product in the shadow, must not put directly beneath the sun, otherwise it might cause the color-fading, or let the sunlight burn the surface of product due to the instability of temperature.
- Do not use industrial water, wastewater, seawater, reclaimed water and other sewage, otherwise it may cause skin inflammation and other problems.
- Persons (including children) with physical, perceptual, intellectual disabilities or lack of experience and common sense need to use the product under the guidance or supervision of someone else, or they may cause electric shock,injury or fire.
- Please notice the assembly location of electric wiring plug, electric plug should be the water-proof plug, assembly location of electric plug must be over 0.5m above the floor, and far away from shower, bathtub, otherwise it might cause electricity leakage.
- When installing this product, please remove the old hose assemblies owned by users and install them with new hose assemblies. Do not reuse the old hose assemblies to avoid related safety problems.
- The grounding wire of this product must conform to the stipulated construction mode, and the three-level grounding structure must be grounded, otherwise the use of this product is prohibited.
- Electric plug need to plug in the electric with air switch.
- In the same room where this product is installed, a switch of water inlet angle valve needs to be installed at a location within reach. It is used in emergency situations to cut off the waterway of this product without the aid of tools; otherwise, unexpected failures of this product may occur and it will cause user loss.
- If you have not used this product for a long time, please close the angle valve, press the water release button to drain the water of ceramic itself and cut off the power; When using the product again,please wash first to prevent water quality problems and skin diseases.
- When the outside air temperature is lower than 32°F, in order to prevent water leakage caused by external filter and other accessories likely freezing, please be sure to close the water inlet valve and drain the left water; If pipe has been frozen, please raise the room temperature and wait for pipe normal then use the toilet, otherwise the product may not be used normally.

### ⚠ Warning

- It is not allowed to continue using if the product has some breakdown:  
 product heat abnormally  
 Product has smoking  
 Product has abnormal sound and smell  
 Product has leakage, breaking or damage  
 Toilet pan is blocked, etc.
- When the breakdown happens, if it do not handle in time and continue using,it might trigger the problems like electric shock, injury, firing or water penetration inside the room etc.
- Banana water, gasoline, putty-powder, nylon brush or other (non-neutral)degreaser is not allowed to clean the plastic parts like toilet seat cover, otherwise it might trigger chemical reaction or leakage, damage the product and cause people injury.
- Loosen electric outlet is not allowed as it might trigger electric shock or firing.
- It is not allowed to pull out and plug in the electric plug by wet hand as it might trigger electric shock or firing.
- It is not allowed to touch the electric plug when it is thundering and lighting as it might trigger electric shock.
- It is not allowed to use other electric resource, the load of using electric outlet could not be too big, as it might trigger firing due to over-heat.
- Detergent, water, wash detergent or urine is not allowed to spot into body and electric outlet, as it might trigger electric shock or firing.
- It is not allowed to let child standing or put heavy goods on the seat and cover, toilet pan or seat body, heavy hitting or knocking is not allowed.
- It is not allowed to disassemble, repair this product, (it must go for professional repair person service if it is necessary to repair), otherwise, it might cause the damage to this product.
- Do not randomly damage the electric plug and electric line, if the electric line,electric plug is damaging, please do not use it any longer or change by oneself, it must be changed by professional person, otherwise, it might trigger short-circuit, electric shock, firing.
- The stove or lighted cigarette is not allowed to be placed next to the toilet pan, cigarette butt etc is not allowed to be thrown into toilet pan.

2

## Parts name

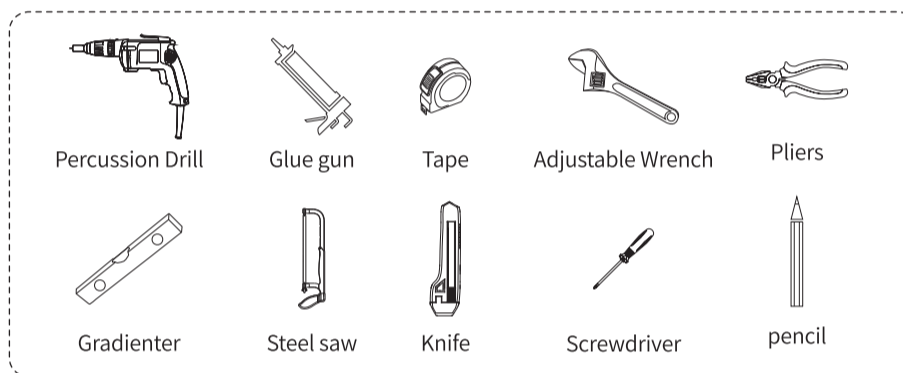


3

## Installation Tools

Notice:

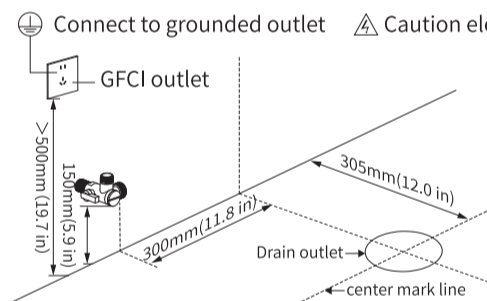
Please remove the dirty water from the pipe before installation. Residual sediment and other debris may jam in the pipeline if it is the newly decorated house, which may cause damage to the machine and affect the health of the human body.



## Product Installation

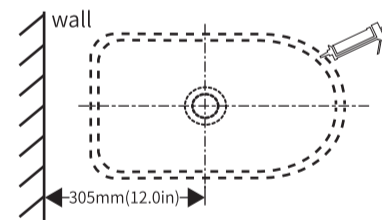
### 1. Install the water inlet valve

Clean the ground and dry the water before installation. Mark the central lines of the draining outlet, and install the inlet valve on the wall.



### 2. Mark the curve of ceramics

Align the drain hole of ceramic with the central line. Mark the curve of ceramics for later installation. Glass cement application: Glue the outline with glass cement to install the toilet.



4

### 3.Toilet installation(Method 1)

#### ① Sealing ring installation

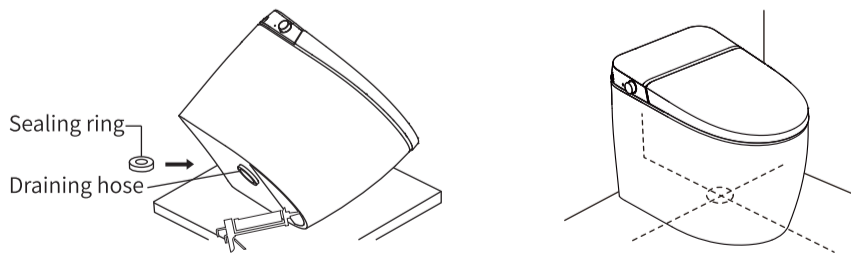
Gently tilt the toilet sideways until it rests on the side surface. Install the sealing ring evenly along the outlet, and the small end of the sealing ring facing the toilet.

Glue the edge of toilet bottom with glass cement, place the toilet base along the outline and position the toilet base.

#### ② Toilet (ceramic) installation

Lift the toilet, take the floor drain as a reference, align the ceramic body of the toilet with the ceramic contour line drawn on the ground, and slowly put the ceramic on the ground so that the two marks overlap. After overlapping, press the ceramic down (can be pressed by the weight of the human body) so that the sealing ring fully contacts the ground.

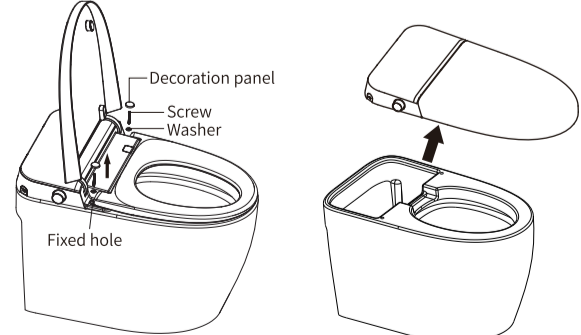
※Do not move the ceramic or shake it left and right after the marks are overlapped, otherwise the seal produced by the sealing ring may be damaged and cause water leakage.



### 4.Toilet installation(Method 2)

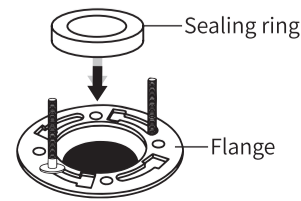
#### ① Remove the bidet seat

Remove the fixing screws of the toilet; remove the connecting pipes and wires of the toilet, separate the bidet seat from the toilet.



#### ② Sealing ring installation

Place the sealing ring on to the flange.



5

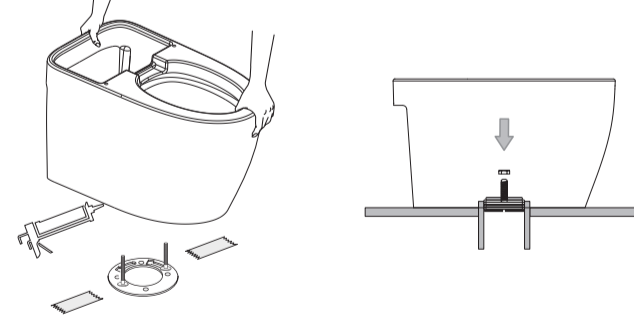
### ③ Ceramic installation

Glue the edge of toilet bottom with glass cement.

Line up the toilet base over the flange screws.

Place the toilet base and secure the flange bolts.

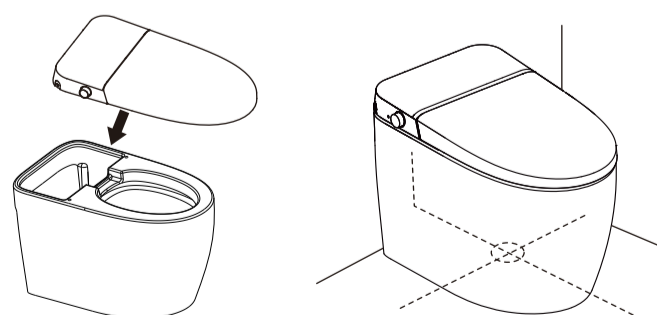
Glue the edge of toilet bottom with glass cement, place the toilet base along the outline and position the toilet base.



### ④ Bidet seat installation

Attach the connecting pipes and wires of the toilet, adjust the bidet seat to match the toilet, use the screws to fix the bidet seat on the toilet.

Pay attention to the tightness of the pipes connection.

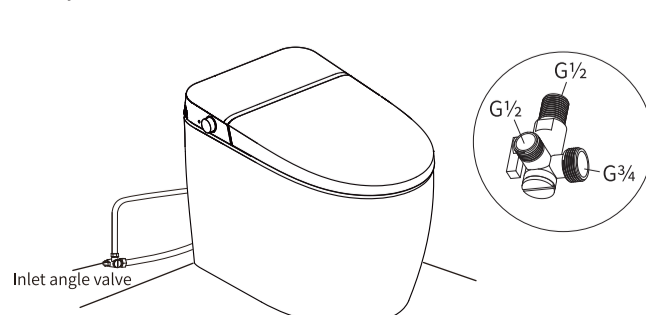


### 5. Connection of water inlet valve

Connect the water inlet braided pipe to the water inlet angle valve.

NOTE:

Clean the floor and tools, do not use the toilet immediately, it takes 48 hours to cure and keep the toilet dry.



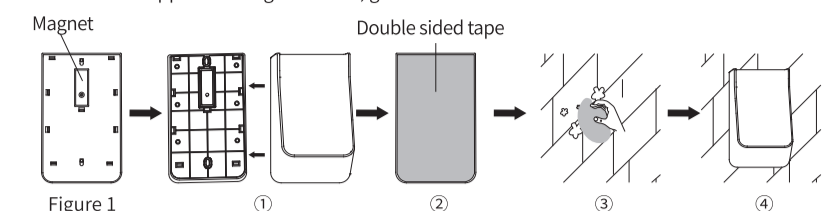
6

# Instructions For Remote Control Installation

## Method 1:

- Install the remote control fixing panel with a magnet on the remote control fixed seat and lock tightly.  
Note: Pay attention to the polarity when installing the magnet. Place the larger side of the magnet hole outside the fixed panel and enclose the small hole surface inside the fixed panel, as shown in the below figure 1.
- Put the double sided tape on the remote control fixed seat.
- Clean dust, grease, water droplets on the walls and wipe them clean.
- Press the remote control fixed seat with double sided tape on it. Press it evenly for 3 to 5 minutes. Attach the remote control fixed seat to the wall.

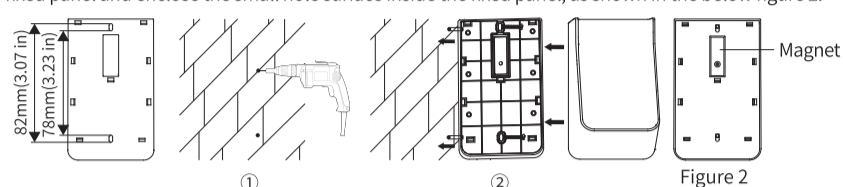
Note: The method is applicable to glazed tiles, glass and smooth wall.



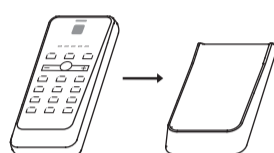
## Method 2:

- Drill two holes, the hole distance is 78mm(3.07 in)-82mm(3.23 in) length and 22mm(0.87 in) depth on the wall by the drill with the diameter of 6mm(0.24 in).  
Note: the position of the hole shall be satisfied for user to get the remote control conveniently when sitting on the seat.
- After installing, the expansion plug in the wall shall align the fixing hole of the remote control and then lock the bolt. Install the remote control fixing panel with a magnet on the remote control fixed seat and lock tightly.

Note: pay attention to the polarity when installing the magnet. Place the larger side of the magnet hole outside. The fixed panel and enclose the small hole surface inside the fixed panel; as shown in the below figure 2.



Put the remote control on the fixed base after installing the battery, and the remote control can automatically absorb on the fixed base.

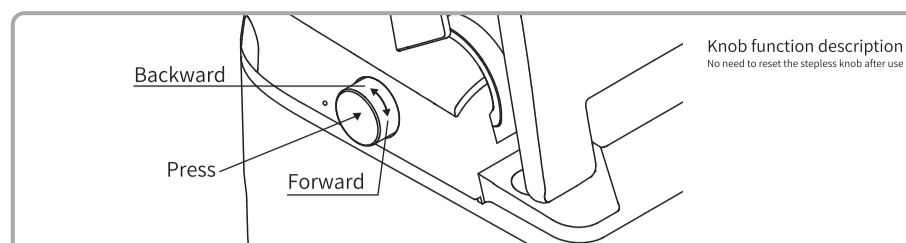


## NOTE:

- Please place the remote control on the fixed place if not use. (To avoid the remote control falling down)
- It may cause damage if the remote control falls down.
- Please do not spill water on the remote control or drop into the water, or it may cause damage.

7

# Instruction



## Sitting

- Bidet wash: Knob forward, spray bar extend, bidet wash works about 2 minutes.
- Rear wash: Knob backward, spray bar extend, rear wash works about 2 minutes.
- Nozzle position: Under bidet/rear wash, knob forward or backward to adjust nozzle position.
- Stop: Under bidet/rear wash, press the knob to stop current working function.
- Drying: Without any function working, long press the knob for 2 seconds to start drying; Knob forward to make the wind temp higher, knob backward to make the wind temp lower.
- Flush: Without any function working, press the knob to flush.

## Not sitting

- Press the knob to flush.
- Long press the knob for 5 seconds to start or close the Knob indicator.

## Foot kick sensor

- Touch the kick sensor (short touch and then leave) to realize the flushing function.

8

# Remote control instructions

## STOP

Press the button, all functions off.

## REAR

Press the button, rear spray function turns on, auto off after 2 mins or off by pressing the stop button.  
Function will stop if user leaves.

## BIDET

Press the button, bidet/front spray function turns on, auto off after 2 mins or off by pressing the stop button.  
Function will stop if user leaves.

## FLOW ADJUSTMENT

Under rear/bidet wash mode, the water flow is settled on normal level (initial level is in the medium).  
Press "FLOW" button to start the flow adjustment, and press plus button to increase flow, press minus button to decrease flow. Total 3 levels, and corresponding indicator will on under different level.

## WATER TEMP SETTING

Under rear/bidet wash mode, initial level is in the medium.  
Press "TEMP" button to start the water temp, and press plus button to increase water temp, press minus button to decrease water temp, total 3 levels, and corresponding indicator will on under different level.

## NOZZLE POSITION ADJUSTMENT

Under rear/bidet wash mode, initial level is in the medium.  
Press "POSITION" button to start the position adjustment, and press plus button to forward the nozzle position, press minus button to backward the nozzle position. Total 3 levels, and corresponding indicator will on under different level.

## SEAT TEMP ADJUSTMENT

Seat heated after sitting, heat preservation after reaching the set temp. The initial level is in the medium. Press "SEAT" button to start the seat temp, and press plus button to increase the seat temperature, press minus button to decrease the seat temperature. Total 3 levels, and corresponding indicator will on under different level.

## MESSAGE

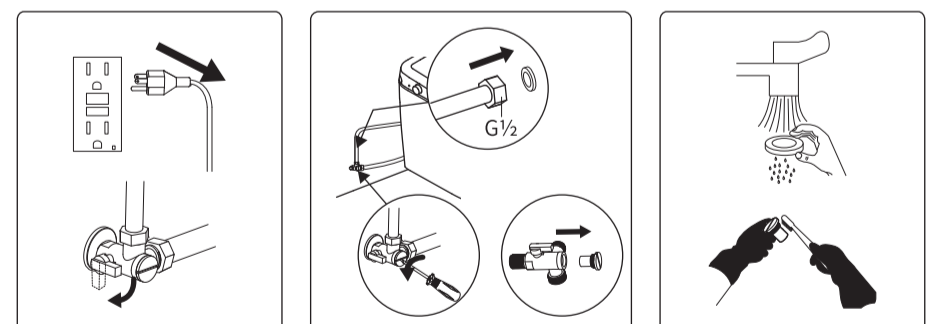
During rear/bidet wash mode, press the "Message" button, function will start after a beep.  
1. Interval message mode: The nozzle sprays with varying pressure.  
2. Powerful message mode: The nozzle sprays pressurized water.  
Remark:  
The Massage cycle order is interval message > powerful message > regular cleaning.

## SWING

During rear/bidet wash mode, press the "Swing" button, function will start after a beep. During swing function, the nozzle will oscillate back and forth. Press the "Swing" button again to stop swing function. Pressing the "Stop" button will stop all cleaning functions.

9

# Cleaning the water filter



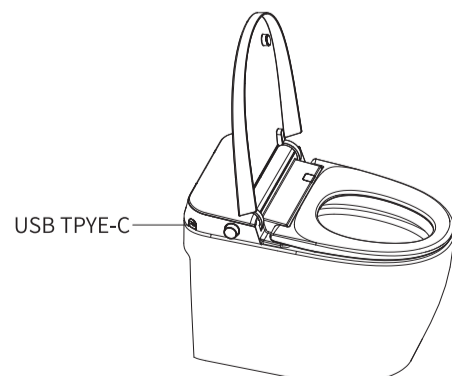
① Unplug the product. Shutoff water supply.

② Remove the water-inflow filter from the inlet hose.  
③ Take out the filter by using a flat-blade screwdriver to unscrew the filter.

④ Remove the filter screen and rinse it with clean water.  
⑤ Install the filter screen as it is, be sure to tighten it, otherwise it will cause water leakage.

# Measures for special cases

When the power is off, connect to the USB TPYE-C with a power bank to achieve the power off flushing.



**FC NOTE:** This equipment has been tested and found to comply with the limits for a Class B digital device, pursuant to Part 15 of the FCC Rules. These limits are designed to provide reasonable protection against harmful interference in a residential installation. This equipment generates uses and can radiate radio frequency energy and, if not installed and used in accordance with the instructions, may cause harmful interference to radio communications.

However, there is no guarantee that interference will not occur in a particular installation. If this equipment does cause harmful interference to radio or television reception, which can be determined by turning the equipment off and on, the user is encouraged to try to correct the interference by one or more of the following measures:

- Reorient or relocate the receiving antenna.
- Increase the separation between the equipment and receiver.
- Connect the equipment into an outlet on a circuit different from that to which the receiver is connected.
- Consult the dealer or an experienced radio/TV technician for help.

11

# Remote control instructions

## FLUSH

Press "flush" button to activate flushing.

## DRY

Press the button, drying function turns on. (Initial level is in the medium. Press plus button to increase warm dry temp. Press minus button to decrease warm dry temp, total 3 levels, and corresponding indicator will on under different level) Auto off after 2 mins or off by pressing the stop button.  
Function will stop if user leaves.

## PERSONAL SETTING USER1/PERSONAL SETTING USER 2

Under rear/bidet wash mode, you can set your preferred water temp, wand position, flow and warm dry temp. While cleaning is in progress, set your preferred water temp, flow, wand position and warm dry temp, and then press and hold (User1) or (User2) for 2 seconds or longer. After (User1) or (User2) is pressed, please push the button used for rear/bidet wash.

## ECO

Press the button to enter energy saving mode.  
Under energy saving mode, seat temperature is low (level 1) to achieve energy saving;  
Remark:  
\* Energy saving mode will be suspended and goes to function mode if someone uses the seat in the middle of energy saving.  
\* The energy saving mode is restored after the human body leaves the seat.

## COMBINATION FUNCTION KEYS

Stop + Rear wash: Long press for 5 seconds to activate or deactivate the powerful deodorizing function.  
Flush + Rear wash: Long press for 5 seconds to activate or deactivate the Pre-wetting.  
Rear wash + Bidet wash: Long press for 5 seconds to activate the Automatic nozzle cleaning.

10

# Maintenance Service Sheet

|  |      |                     |               |
|--|------|---------------------|---------------|
| Product  |      | Product code        |               |
| The selling store  |      | Purchase date       |               |
| Province   | City | Dealer (signature): |               |
| Maintenance content  |      |                     |               |
| Free maintain regulation:  |      |                     |               |
| 1. Free maintenance is provided when you use it properly in accordance with instructions and under warranty.   |      |                     |               |
| 2. Please contact the dealer or the company if the fault occurs under warranty.  |      |                     |               |
| 3. The following situations is chargeable for maintenance under warranty:  |      |                     |               |
| ① Faults or damages caused by the improper operation, repair or reinstall.   |      |                     |               |
| ② Faults or damages caused by forced movement after the product is installed.  |      |                     |               |
| ③ Faults or damages caused by earthquakes, fires, floods, lightning strikes, corrosive liquids, abnormal voltages and other natural disasters.         |      |                     |               |
| ④ Faults or damages caused by other approaches which are not for family-use.   |      |                     |               |
| ⑤ Fail to provide the maintenance-service sheet.   |      |                     |               |
| ⑥ There is no detailed records or there are modified records on the maintenance-service sheet.   |      |                     |               |
| 4. This maintenance-service sheet is valid.  |      |                     |               |
| 5. This maintenance-service sheet is unrepeatable, please safe keep it.  |      |                     |               |
| 6. The customer can go to the local repair network or sent the products back to the company for free repair within three years from the purchase date. |      |                     |               |
| Executive standard: CONFORMS TO UL STD. 1431/UL STD. 1591 ASME A112.4.2-2021   |      |                     |               |
| Warranty period: within two years from the purchase date   |      |                     |               |
|  |      |                     | Made in China |

- Due to the constant improvement about our products, we will keep the final interpretation of products change.
- If the products you bought exist differences from the instruction, please in kind prevail.

**BENSON KITCHEN AND BATHROOM INC.**  
ADD: 14726 Central Ave, Chino, CA, 91710  
Customer Service: +1 (909) 662-7003

12