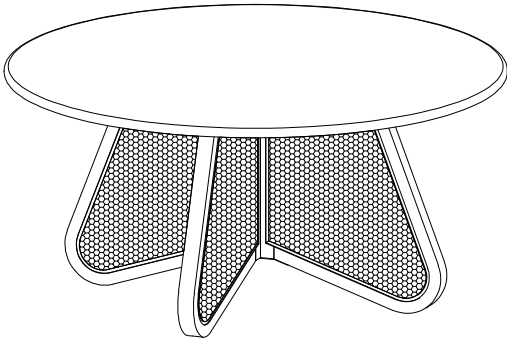


ASSEMBLY INSTRUCTIONS

COFFEE TABLE



+ Do Not Use Power Tools



+ Suggested Adults



NOTE:

- 1 Read instructions cover to cover.
- 2 Save all packaging until assembly is completed.

1 IMPORTANT SAFETY INFORMATION

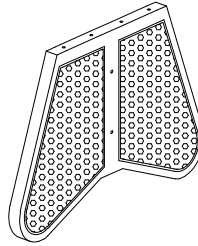
- Do not** assemble the product if the parts arrived damaged.
- Do not** assemble if Hardware parts are missing.

2 IMPORTANT ASSEMBLY INFORMATION

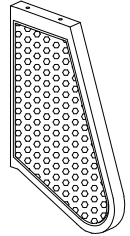
Assembly Step If loosening persists, please make sure to tighten all the bolts periodically, or use a thread locker adhesive.

+ Parts Included

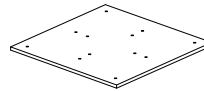
① Center post (1 pc)



② Side post (2 pcs)



③ Connective panel (1 pc)

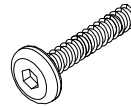


④ Top panel (1 pc)

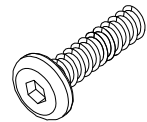


+ Parts Included

A. Bolt
Ø6x25mm (5 pcs)



B. Bolt
Ø8x25mm (8 pcs)



C. Spring Washer
Ø6xØ12mm (5 pcs)



D. Flat Washer
Ø6xØ19mm (5 pcs)



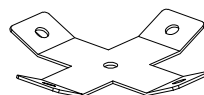
E. Spring Washer
Ø8xØ12mm (8 pcs)



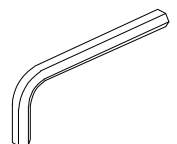
F. Flat Washer
Ø8xØ19mm (8 pcs)



G. Bracket Metal (1 pc)



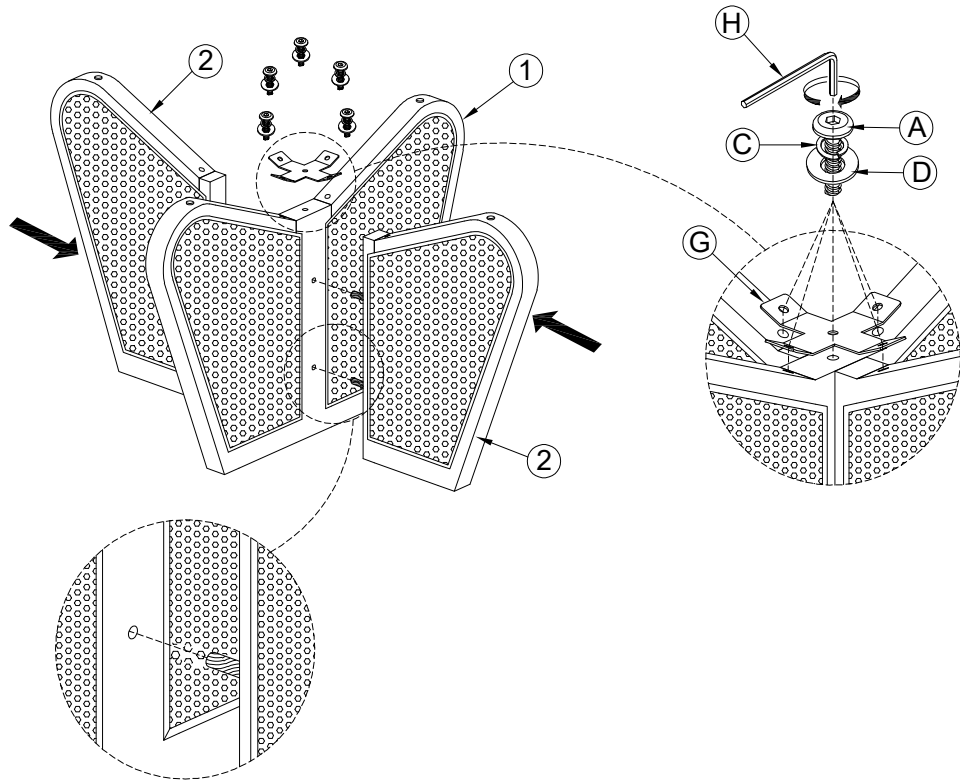
H. Allen Key (1 pc)



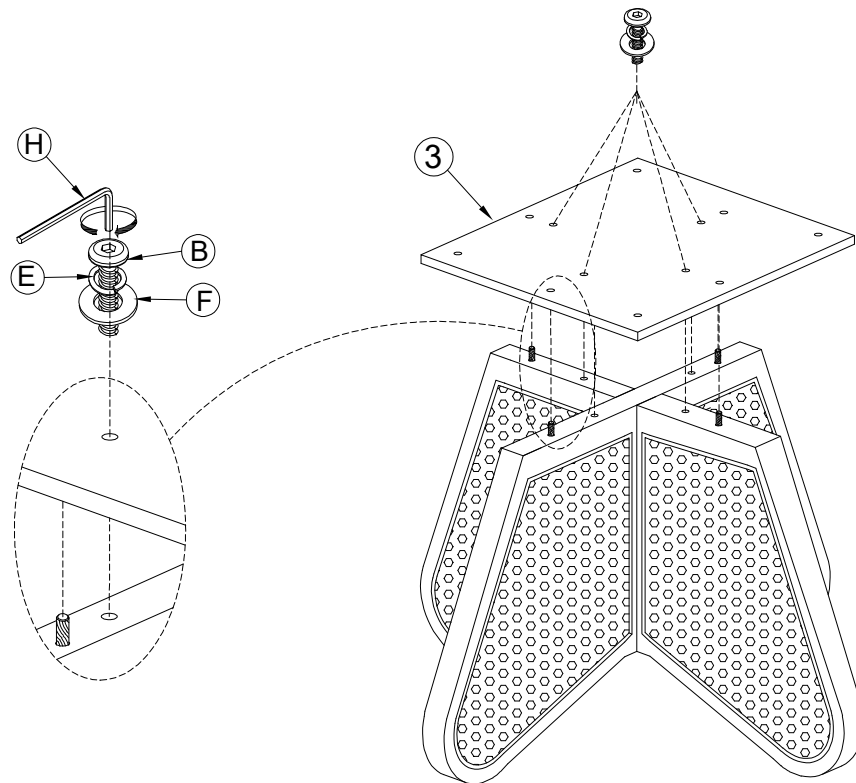
ASSEMBLY INSTRUCTIONS

COFFEE TABLE

1



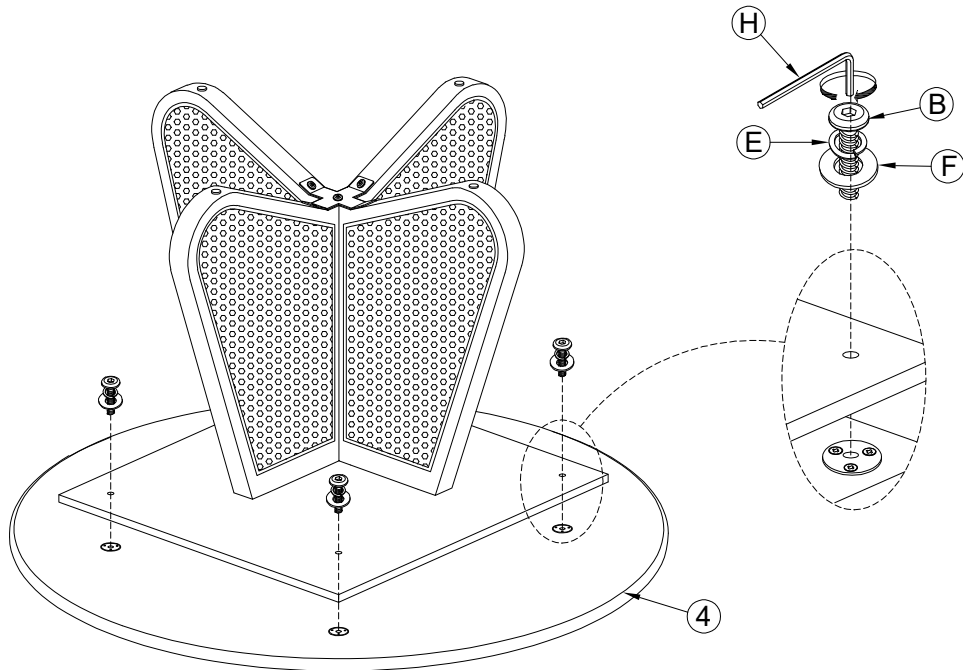
2



ASSEMBLY INSTRUCTIONS

COFFEE TABLE

3



4

