

VEVOR[®]





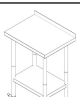
TOUGH TOOLS, HALF PRICE

Technical Support and E-Warranty Certificate www.vevor.com/support

WORKBENCH USER MANUAL

We continue to be committed to provide you tools with competitive price.

"Save Half", "Half Price" or any other similar expressions used by us only represents an estimate of savings you might benefit from buying certain tools with us compared to the major top brands and does not necessarily mean to cover all categories of tools offered by us. You are kindly reminded to verify carefully when you are placing an order with us if you are actually saving half in comparison with the top major brands.

	HET-24*18 HET-24*30 HET-24*36 HET-24*48 HET-24*60 HET-24*72 HET-30*48 HET-30*60 HET-30*72
	HET-24*30-L HET-24*36-L HET-24*48-L HET-24*60-L HET-24*72-L
	HET-24*24-3L
	HETG-24*12 HETG-24*18 HETG-24*24 HETG-24*30 HETG-24*48 HETG-30*12 HETG-30*36 HETG-30*48 HETG-30*60
	HETG-24*15-L HETG-24*24-L HETG-24*30-L HETG-24*36-L HETG-24*48-L HETG-24*60-L

Note:This user manual is applicable to the cotton candy machines.
Please read it carefully before use.

NEED HELP? CONTACT US!

Have product questions? Need technical support? Please feel free to contact us:

Technical Support and E-Warranty Certificate
www.vevor.com/support

This is the original instruction, please read all manual instructions carefully before operating. VEVOR reserves a clear interpretation of our user manual. The appearance of the product shall be subject to the product you received. Please forgive us that we won't inform you again if there are any technology or software updates on our product.

SAFETY INSTRUCTIONS

WARNING:

Read this material before using this product. Failure to do so can result in serious injury.

Assembly precautions

1. Assemble only according to these instructions. Improper assembly can create hazards.
2. Keep the assembly area clean and well-lit.
3. Keep bystanders out of the area during assembly.
4. Do not assemble when tired or when under the influence of alcohol, drugs or medication.
5. The product capabilities apply to properly and completely assembled products only.
6. For additional information regarding the parts listed in the following pages, please refer to the Assembly Diagram of this manual. Unwrap and separate all parts in a clean work area.

Use precautions

1. Use with products heavier than the rated weights indicated may result in instability causing possible injury.
2. Mounts must be attached as specified in assembly instructions. Improper installation may result in damage or serious personal injury.
3. Make sure that the supporting surface will safely support the combined weight of the equipment and all attached hardware and components.
4. Use the mounting screws provided and **DO NOT OVER TIGHTEN** mounting screws.
5. This product contains small items that could be a choking hazard if swallowed. Keep these items away from children.
6. This product is intended for indoor use only. Using this product outdoors could lead to product failure and personal injury.

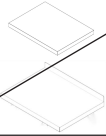
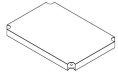
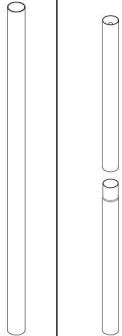

SAVE THESE INSTRUCTIONS

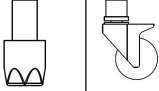



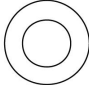



PRODUCT PARAMETERS

Item No.	Maximum load-bearing (Top board/Clap board)	Product Size (mm)	Table legs (whole / separated)	Back board	Support feet	Wheel
HET-24*18	370/270lbs	610*457*864	separated	x	√	x
HET-24*30	400/300lbs	610*762*864	separated	x	√	x
HET-24*36	430/320lbs	610*914*864	whole	x	√	x
HET-24*48	460/340lbs	610*1219*864	whole	x	√	x
HET-24*60	480/360lbs	610*1524*864	whole	x	√	x
HET-24*72	500/380lbs	610*1829*864	whole	x	√	x
HET-30*48	500/380lbs	762*1219*864	whole	x	√	x
HET-30*60	520/390lbs	762*1524*864	whole	x	√	x
HET-30*72	520/400lbs	762*1829*864	whole	x	√	x
HET-24*30-L	420/320lbs	610*762*914	separated	√	√	x
HET-24*36-L	450/350lbs	610*914*914	whole	√	√	x
HET-24*48-L	480/380lbs	610*1219*914	whole	√	√	x
HET-24*60-L	500/400lbs	610*1524*914	whole	√	√	x

HET-24*72-L	520/420lbs	610*1829*914	whole	√	√	x
HET-24*24-3L	700/540lbs	610*610*660	whole	√	√	x
HETG-24*12	300/200lbs	610*305*954.6	separated	√	x	√
HETG-24*18	370/270lbs	610*457*954.6	separated	x	x	√
HETG-24*24	400/300lbs	610*610*954.6	separated	x	x	√
HETG-24*30	400/300lbs	610*762*954.6	separated	x	x	√
HETG-24*48	460/340lbs	610*1219*954.6	whole	x	x	√
HETG-30*12	300/220lbs	762*305*954.6	separated	x	x	√
HETG-30*36	470/350lbs	762*914*954.6	whole	x	x	√
HETG-30*48	500/370lbs	762*1219*954.6	whole	x	x	√
HETG-30*60	520/390lbs	762*1524*954.6	whole	x	x	√
HETG-24*15-L	300/200lbs	610*381*1005.6	separated	√	x	√
HETG-24*24-L	400/300lbs	610*610*1005.6	separated	√	x	√
HETG-24*30-L	400/300lbs	610*762*1005.6	separated	√	x	√
HETG-24*36-L	430/320lbs	610*914*1005.6	whole	√	x	√
HETG-24*48-L	460/340lbs	610*1219*1005.6	whole	√	x	√
HETG-24*60-L	480/360lbs	610*1524*1005.6	whole	√	x	√

PACKING LIST

Note: Parts details 1 through 8 are available for all models.			
Item	Part Name	QTY	Picture
1	Panel	1 PCS	
2	Shelves	1 PCS	
3	<p style="text-align: center;">Table legs (whole / separated)</p> <p style="text-align: center;">Tip: legs various to refer the Product Parameters table</p>	<p>4 PCS</p> <p>(4PCS/4PCS)</p>	
4	Mounting sleeves	4 PCS	

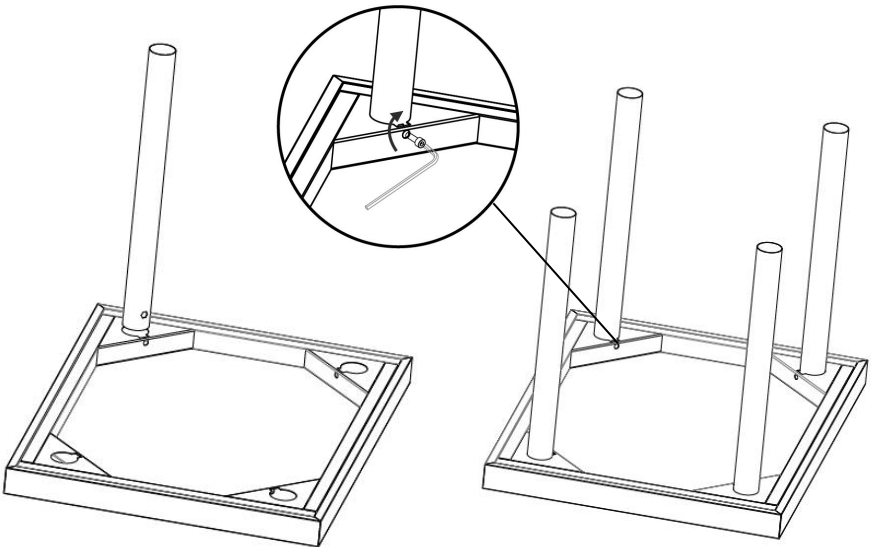
5	<p>Support feet (3-inch universal wheels (2 with brakes))</p> <p>Tip: various to refer the Product Parameters table</p>	4 PCS	
6	M6 Allen socket screws	8PCS	
7	hex key	1PCS	
8	User Manual	1PCS	
Note: Parts details 9 through 13 are only available for HT-24 *24-3L			
9	M5 screws	12PCS	
10	φ5 gasket	12PCS	
11	flapper-1	1PCS	
12	flapper-2	1PCS	
13	flapper-3	1PCS	

ASSEMBLY STEP

This is the original instruction, please read all manual instructions carefully before operating. VEVOR reserves clear interpretation of our user manual. The appearance of the product shall be subject to the product you received. Please forgive us that we won't inform you again if there is any technology or software updates on our product.

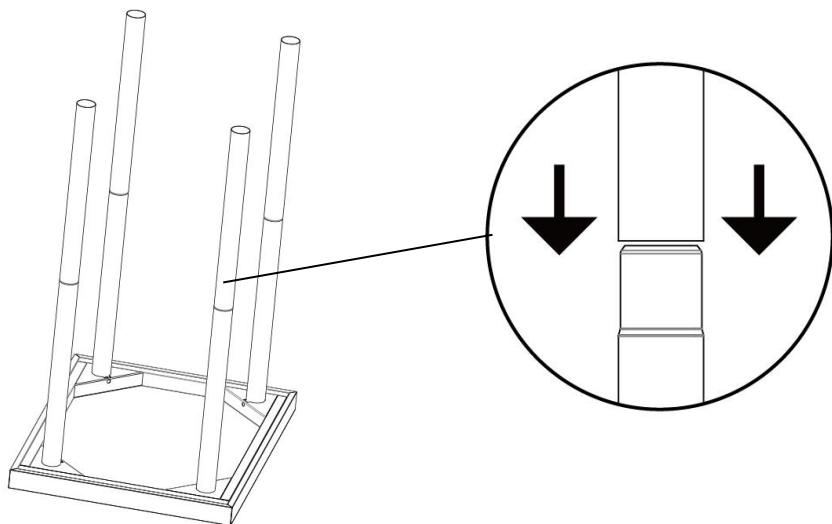
 Kindly Reminded . Please Wear Gloves To install This Product

1. Place the Top board mounting hole facing upwards, install the round pipe into the hole, fix it with M6 socket screws and have a torque greater than or equal to 25N.m

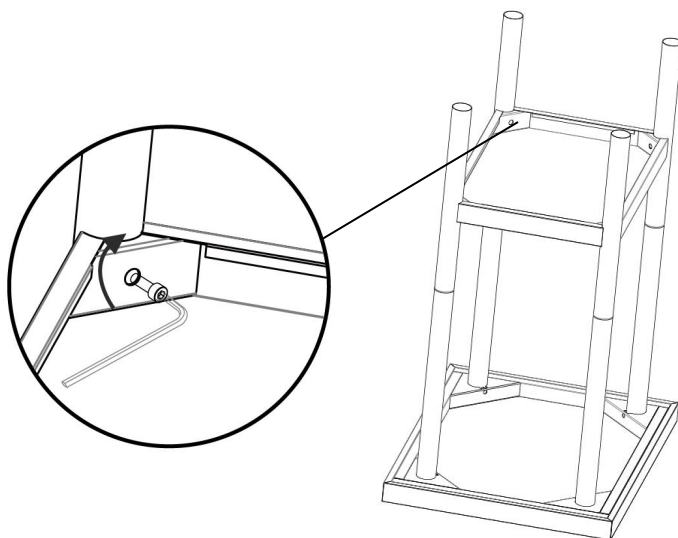


2. Some models distinguish the model of the upper and lower support pipes, and the upper and lower support pipes need to be covered

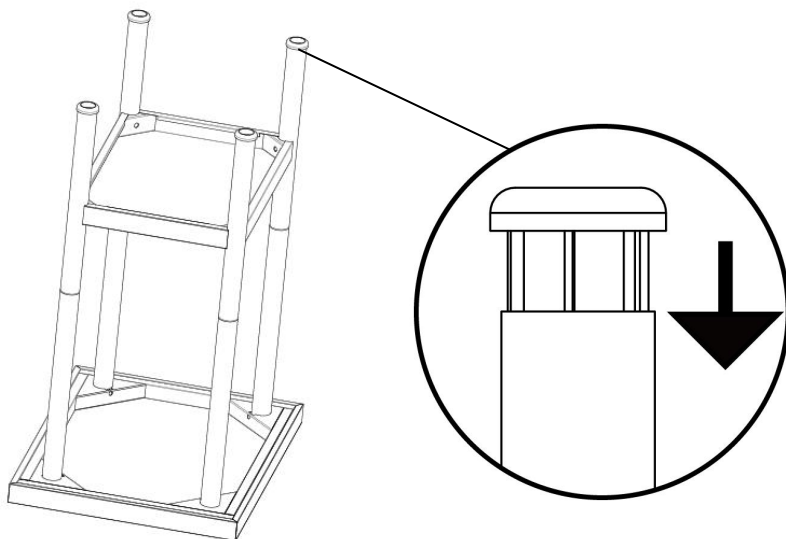
Note: This step can be omitted for products with whole legs;



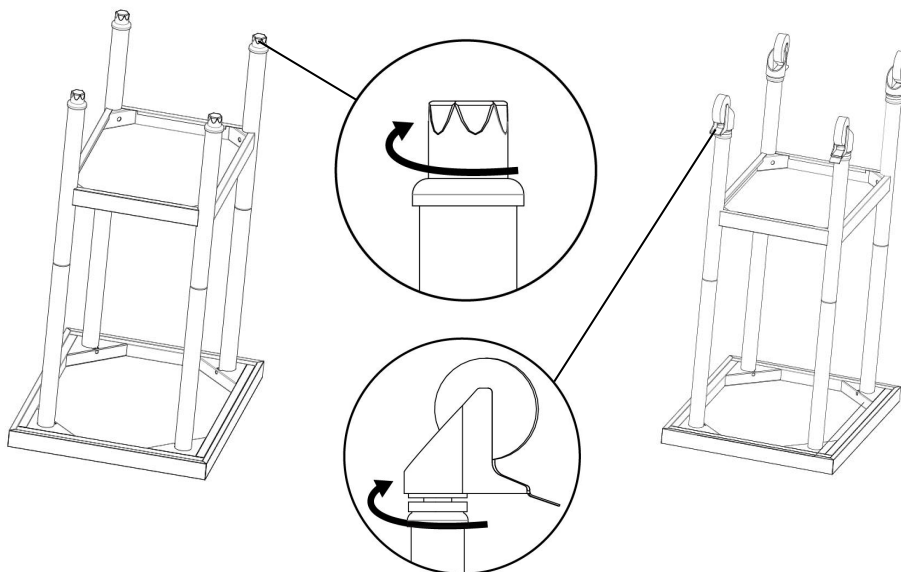
3. Install the partition according to the height of the hole position you need, fix the mounting hole with M6 socket socket screws and the torque is greater than or equal to 25N.m



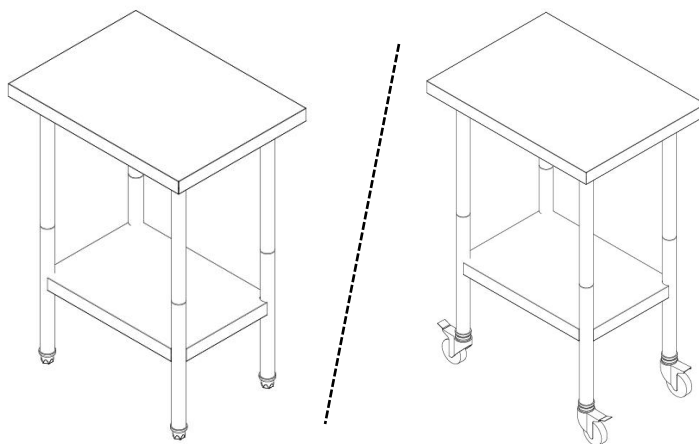
4. Install the casing knock into the round pipe.



5. Install the support feet or wheels



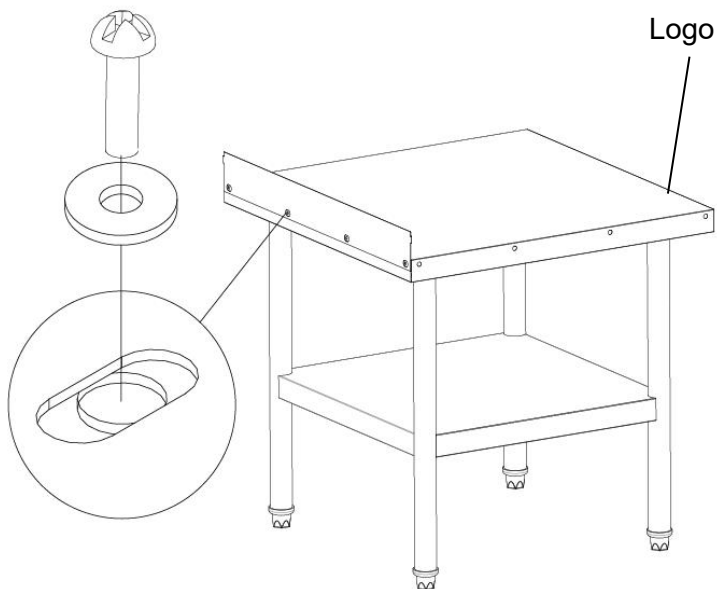
6. After completed the installation, turn the workbench over and adjust the height of the four support feet (or wheels) to ensure that the four feet are close to the ground and the workbench is stable



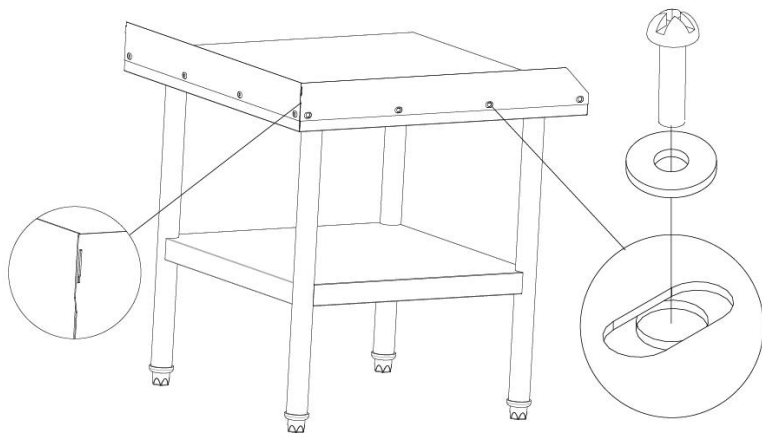
Note: If the workbench does not need to be moved. Please hold the brakes on the wheels to ensure that the table does not move.
The workbench has a maximum weight limit, please be careful not to exceed the maximum weight

Note: Below installation steps only for HET-24*24-3L

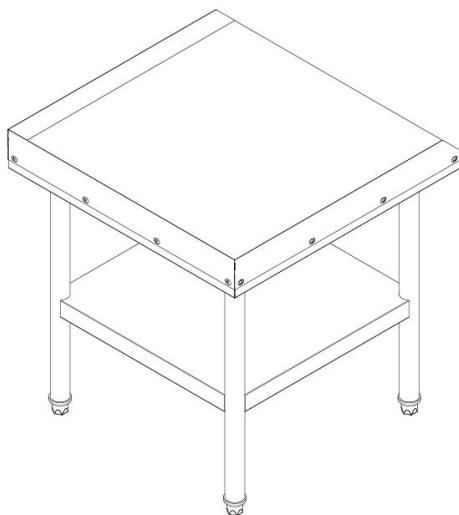
1. Install the flapper-1 on the workbench in the correct orientation (please refer to the logo direction), then tighten it with M5*12 screws and M5 flat pads, and fasten the baffle-1 on the workbench.



2.The baffle-2 and the baffle-1 are buckled and correctly placed on the workbench, and then fastened with M5*12 screws and M5 flat pads, and the baffle plate 1 is fastened on the workbench. (The installation steps of Bezel-3 are similar, please refer to this step)



3. Finished product drawing HET-24*24-3L



Manufacturer: Shanghai muxinmuyeyouxiangongsi

Address: Shuangchenglu 803nong11hao1602A-1609shi, baoshanqu, shanghai 200000 CN.

Imported to AUS: SIHAO PTY LTD. 1 ROKEVA STREET EASTWOOD NSW 2122 Australia

Imported to USA: Sanven Technology Ltd. Suite 250, 9166 Anaheim Place, Rancho Cucamonga, CA 91730

EC	REP
-----------	------------

E-CrossStu GmbH

Mainzer Landstr.69, 60329 Frankfurt am Main.

UK	REP
-----------	------------

YH CONSULTING LIMITED.

C/O YH Consulting Limited Office 147, Centurion House, London Road, Staines-upon-Thames, Surrey, TW18 4AX

VEVOR[®]

TOUGH TOOLS, HALF PRICE

Technical Support and E-Warranty Certificate
www.vevor.com/support