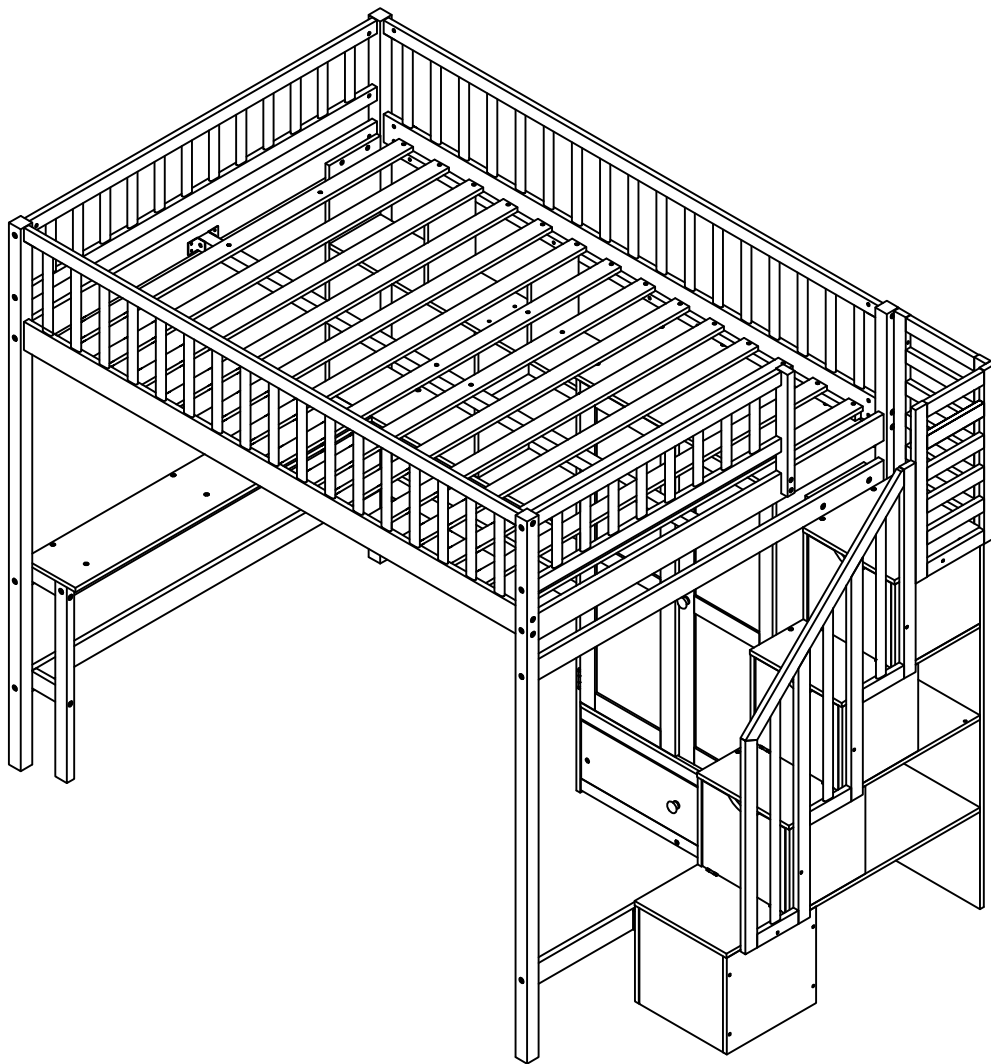


ASSEMBLY INSTRUCTIONS

FULL LOFT BED WITH WARDROBE





SAFETY WARNING



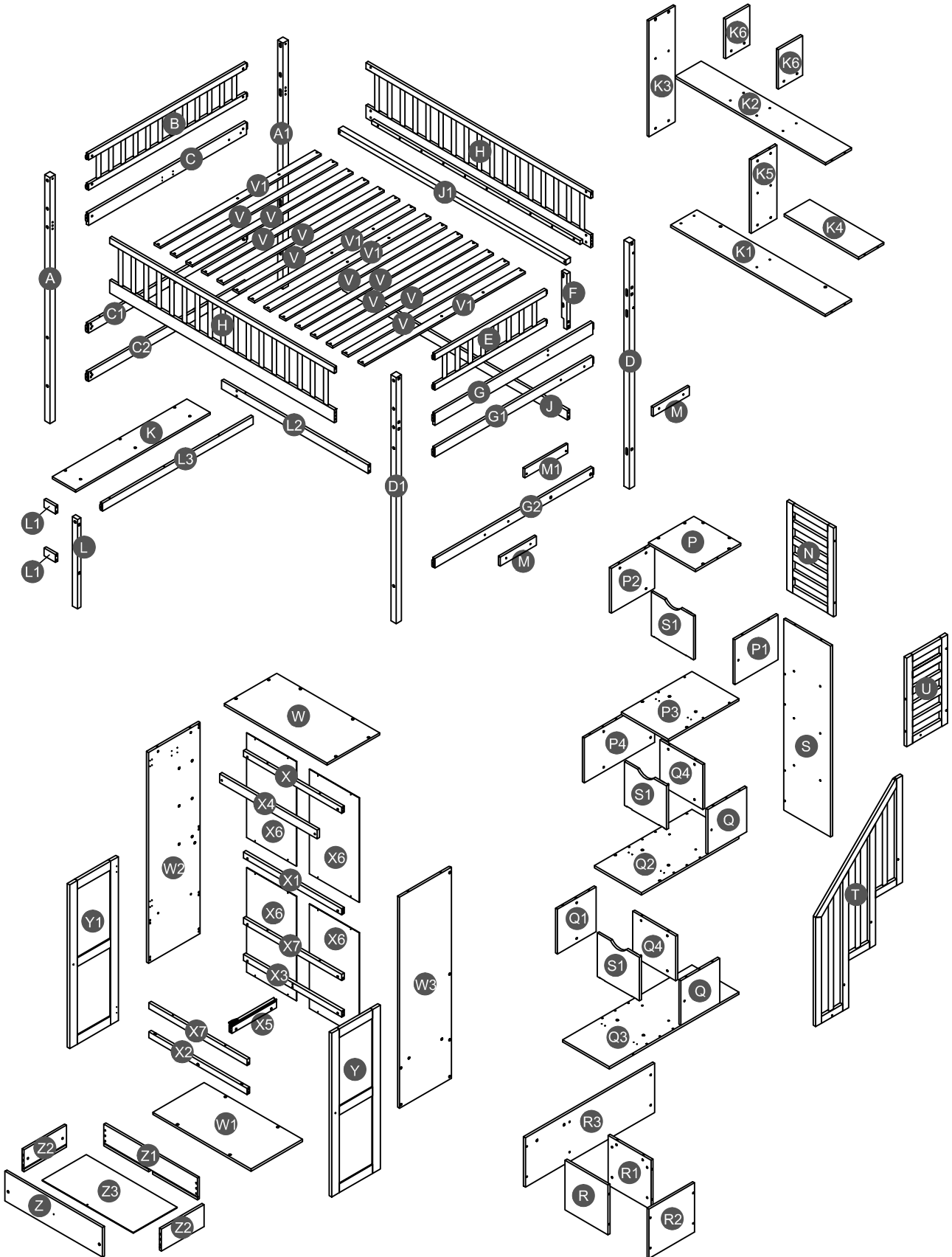
1. This bed is designed for use only mattress (es) meeting the following specifications on the upper bunk.

Upper bunk (Bunk bed and tribed included)

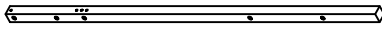
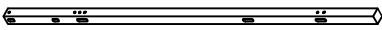
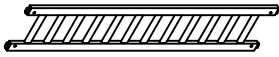
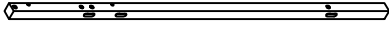
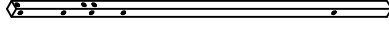
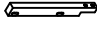
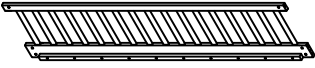
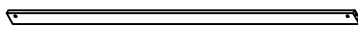
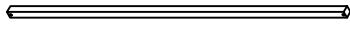
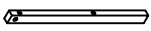
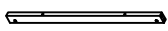
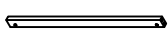

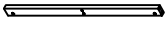

Bed type	Length	Width	Thickness
Twin Standard	74"-75"	54"	6"

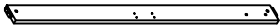

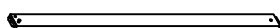

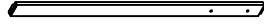

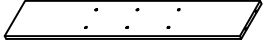
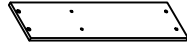
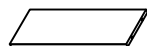




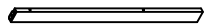

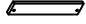


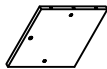
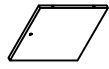
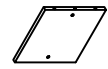
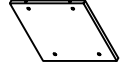
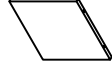
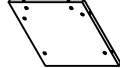
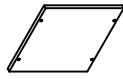
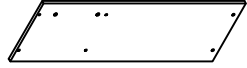

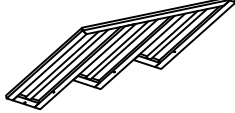
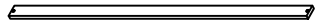


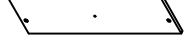

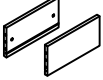
2. Replacement parts, including additional guardrails, maybe obtained from any of our (GIGACLOUD TECHNOLOGY (USA) INC . 18961 ARENTH AVENUE, CITY OF INDUSTRY , CA, 91748.) dealers
3. Follow the information on the warnings appearing on the upper bunk bed end structure and on the carton. Do not remove warning label from bed.
4. Always use the recommended size mattresses or mattress supports, or both, to help prevent the likelihood of entrapment or falls.
5. Surface of mattress must be at least 5" (127mm) below the upper edge of guardrails.
6. Do not allow children under 6 years of age to use the upper bunk.
7. Periodically check and ensure that the guardrail, ladder, and other components are in their proper position, free from damage, and that all connectors are tight.
8. Do not allow horseplay on or under the bed and prohibit jumping on the bed.
9. Always use the ladder for entering and leaving the upper bunk.
10. Do not use substitute part. Contact the manufacture or dealer for replacement part.
11. Use of a night light may provide added safety precaution for a child using the upper bunk.
12. Always use guardrails on both long sides of the upper bunk. If the bunk bed will be placed next to the wall, the guardrail that runs the full length of the bed should be placed against the wall to prevent entrapment between the bed and wall.
13. The use of water or sleep flotation mattresses is prohibited.
14. STRANGULATION HAZARD - Never attach or hang items to any part of the bunk bed that are not designed for use with the bed; for example, but not limited to, hook, belts and jump ropes.
15. Keep these instruction for future reference.
16. Prohibit more than one person on upper bunk
17. We recommend assembling your bunk bed on the shipping carton to protect your floor or carpet.
18. Be certain all staples are out of the box before beginning assembly on the shipping carton.

Detail View



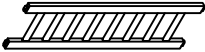
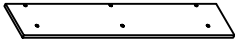
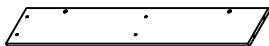
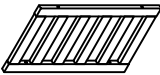
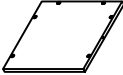






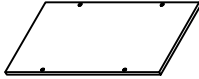



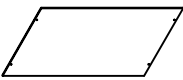
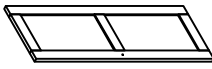
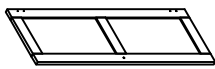

Part List

A  Leg HB (Left front) - 1pc	A1  Leg HB (Left back) - 1pc	B  Frame HB - 1pc
D  Leg FB (Right back) - 1pc	D1  Leg FB (Right front) - 1pc	F  Vertical guard rail FB - 1pc
H  Side rail - 2pcs	J  Lower horizontal bar (Back) - 1pc	J1  Lower support slat - 1pc
L  Short leg (Left front) - 1pc	X  Upper horizontal bar (Back) - 1pc	X1  Horizontal bar (Back) - 1pc
X2  Lower horizontal bar (Front) - 1pc	X3  Lower horizontal bar (Back) - 1pc	X7  Lower horizontal bar (Front/Back) - 2pcs

C  Upper horizontal bar HB - 1pc	C1  Divider horizontal bar HB - 1pc	C2  Lower horizontal bar HB - 1pc
G  Upper horizontal bar FB - 1pc	G1  Divider horizontal bar FB - 1pc	G2  Lower horizontal bar FB - 1pc
K2  Shelf panel - 1pc	K3  Side panel (Left) - 1pc	K4  Shelf panel - 1pc
K5  Lower divider panel - 1pc	K6  Upper divider panel - 2pcs	L1  Horizontal bar (Front) - 2pcs
L2  Horizontal bar (Back) - 1pc	L3  Support horizontal bar - 1pc	M  Support - 2pcs
M1  Support - 1pc	P2  Upper left side panel - 1pc	P4  Center left side panel - 1pc
Q  Center right side panel - 2pcs	P1  Upper right side panel - 1pc	Q1  Center left side panel - 1pc
Q4  Support panel - 2pcs	R  Lower front panel - 1pc	R1  Support lower panel - 1pc
R2  Lower right side panel - 1pc	R3  Lower left side panel - 1pc	S1  Upper front panel - 3pcs
T  Guard rail - 1pc	V  Slat - 10pcs	V1  Slat - 4pcs
X4  Hanging bar - 1pc	Z  Front drawer panel - 1pc	Z1  Back drawer panel - 1pc
Z2  Left / right drawer panel - 2pcs		

Part List

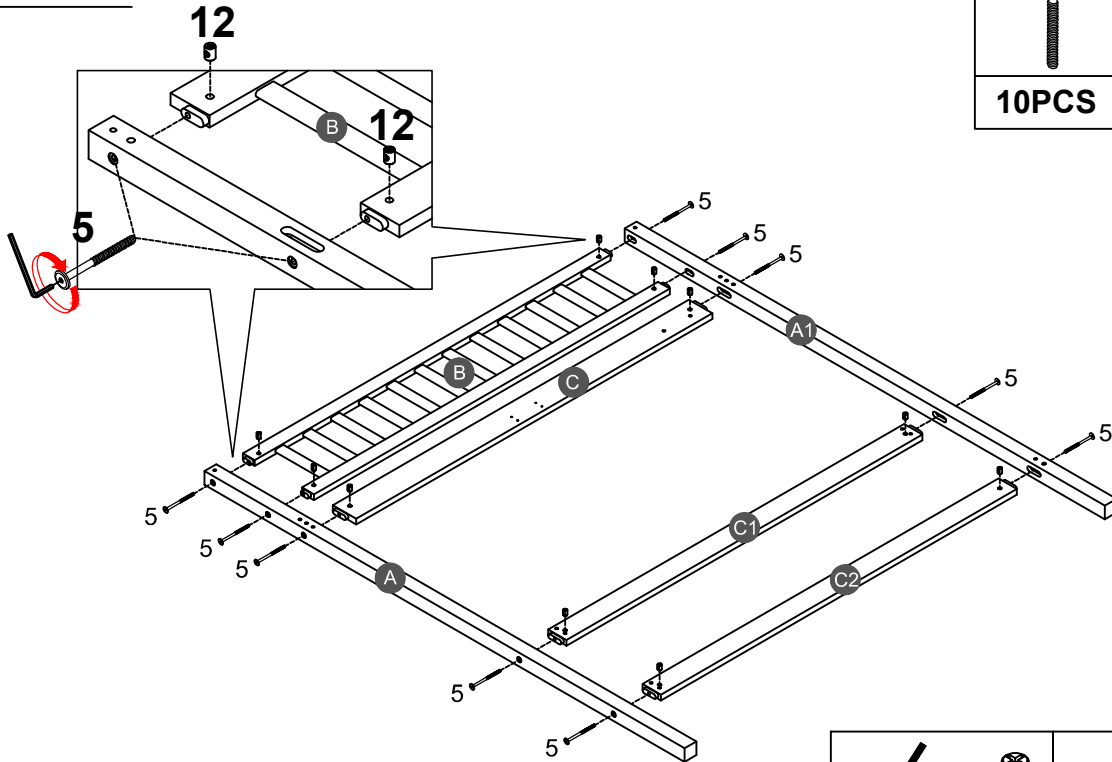
Hardware inside



<p>E</p>  <p>Frame FB - 1pc</p>	<p>K</p>  <p>Top panel - 1pc</p>	<p>K1</p>  <p>Top panel - 1pc</p>
<p>N</p>  <p>Upper guard rail (Back) -1pc</p>	<p>P</p>  <p>Upper step ladder panel -1pc</p>	<p>P3</p>  <p>Upper center step ladder panel -1pc</p>
<p>Q2</p>  <p>Lower center step ladder panel -1pc</p>	<p>Q3</p>  <p>Lower step ladder panel -1pc</p>	<p>S</p>  <p>Back panel - 1pc</p>
<p>U</p>  <p>Upper guard rail -1pc</p>	<p>W</p>  <p>Top panel - 1pc</p>	<p>W1</p>  <p>Bottom panel - 1pc</p>
<p>W2</p>  <p>Side panel (Left) - 1pc</p>	<p>W3</p>  <p>Side panel (Right) - 1pc</p>	<p>X5</p>  <p>Support drawer - 1pc</p>
<p>X6</p>  <p>Back panel - 4pcs</p>	<p>Y</p>  <p>Door (Right) - 1pc</p>	<p>Y1</p>  <p>Door (Left) - 1pc</p>
<p>Z3</p>  <p>Drawer bottom - 1pc</p>		

Hardware List

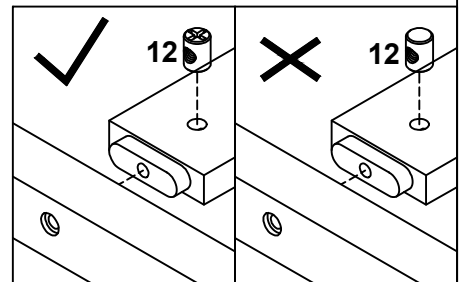
<p>1</p>  <p style="text-align: center;">Ø10*40mm</p> <p style="text-align: center;">Wood dowel (2pcs)</p>	<p>2</p>  <p style="text-align: center;">Ø10*20mm</p> <p style="text-align: center;">Wood dowel (1pc)</p>	<p>3</p>  <p style="text-align: center;">Ø8*30mm</p> <p style="text-align: center;">Wood dowel (46pcs)</p>
<p>4</p>  <p style="text-align: center;">(Ø15)1/4"*100mm</p> <p style="text-align: center;">Hex-Head bolts (14pcs)</p>	<p>5</p>  <p style="text-align: center;">(Ø15)1/4"*80mm</p> <p style="text-align: center;">Hex-Head bolts (22pcs)</p>	<p>6</p>  <p style="text-align: center;">(Ø12)1/4"*70mm</p> <p style="text-align: center;">Hex-Head bolts (3pcs)</p>
<p>7</p>  <p style="text-align: center;">(Ø12)1/4"*60mm</p> <p style="text-align: center;">Hex-Head bolts (96pcs)</p>	<p>8</p>  <p style="text-align: center;">(Ø12)1/4"*40mm</p> <p style="text-align: center;">Hex-Head bolts (6pcs)</p>	<p>9</p>  <p style="text-align: center;">(Ø12)1/4"*35mm</p> <p style="text-align: center;">Hex-Head bolts (2pcs)</p>
<p>10</p>  <p style="text-align: center;">(Ø12)1/4"*30mm</p> <p style="text-align: center;">Hex-Head bolts (5pcs)</p>	<p>11</p>  <p style="text-align: center;">(Ø12)1/4"*15mm</p> <p style="text-align: center;">Hex-Head bolts (2pcs)</p>	<p>12</p>  <p style="text-align: center;">1/4"*15 (9.5mm)</p> <p style="text-align: center;">Horizontal-hole bolts(131pcs)</p>
<p>13</p>  <p style="text-align: center;">Ø3.5*15mm</p> <p style="text-align: center;">Wood screws (16pcs)</p>	<p>14</p>  <p style="text-align: center;">340*30mm</p> <p style="text-align: center;">Upper slider drawer (1pc)</p>	<p>15</p>  <p style="text-align: center;">Ø4*30mm</p> <p style="text-align: center;">Wood screws (34pcs)</p>
<p>16</p>  <p style="text-align: center;">(Ø12)1/4"*40mm</p> <p style="text-align: center;">Hex-Head bolts (16pcs)</p>	<p>17</p>  <p style="text-align: center;">Ø38*31mm</p> <p style="text-align: center;">Pine Knob (3pcs)</p>	<p>18</p>  <p style="text-align: center;">3/16"*25mm</p> <p style="text-align: center;">Ph zinc(Knob) (3pcs)</p>
<p>19</p>  <p style="text-align: center;">Ø3.5*15mm</p> <p style="text-align: center;">Wood screws (79pcs)</p>	<p>20</p>  <p style="text-align: center;">(Ø13)1/4"*14mm</p> <p style="text-align: center;">Connect bolt (4pcs)</p>	<p>21</p>  <p style="text-align: center;">45*17*13mm</p> <p style="text-align: center;">Door catch (3pcs)</p>
<p>22</p>  <p style="text-align: center;">42*12*1mm</p> <p style="text-align: center;">Metal magnet (5pcs)</p>	<p>23</p>  <p style="text-align: center;">70*37*28mm (135°)</p> <p style="text-align: center;">Metal bracket (4pcs)</p>	<p>24</p>  <p style="text-align: center;">140*32*19mm</p> <p style="text-align: center;">Stopper door (1pc)</p>
<p>25</p>  <p style="text-align: center;">63*40*30mm</p> <p style="text-align: center;">Metal bracket (2pcs)</p>	<p>26</p>  <p style="text-align: center;">24*28*28*2mm</p> <p style="text-align: center;">Metal bracket (2pcs)</p>	<p>27</p>  <p style="text-align: center;">(1/4")4.5*58mm</p> <p style="text-align: center;">Allen key (2pcs)</p>
<p>28</p>  <p style="text-align: center;">116*40*27mm</p> <p style="text-align: center;">Metal bracket (2pcs)</p>	 <div style="border: 1px solid black; padding: 5px; margin: 10px auto; width: fit-content;"> <p style="text-align: center; margin: 0;">ASSEMBLY TOOLS REQUIRED (NOT INCLUDED)</p>  <p style="text-align: center; margin: 0; font-size: small;">PLEASE BE CAREFUL DO NOT DAMAGE THE HOLE POSITION WHEN YOU USE POWER TOOLS !</p> </div>	

STEP 1:

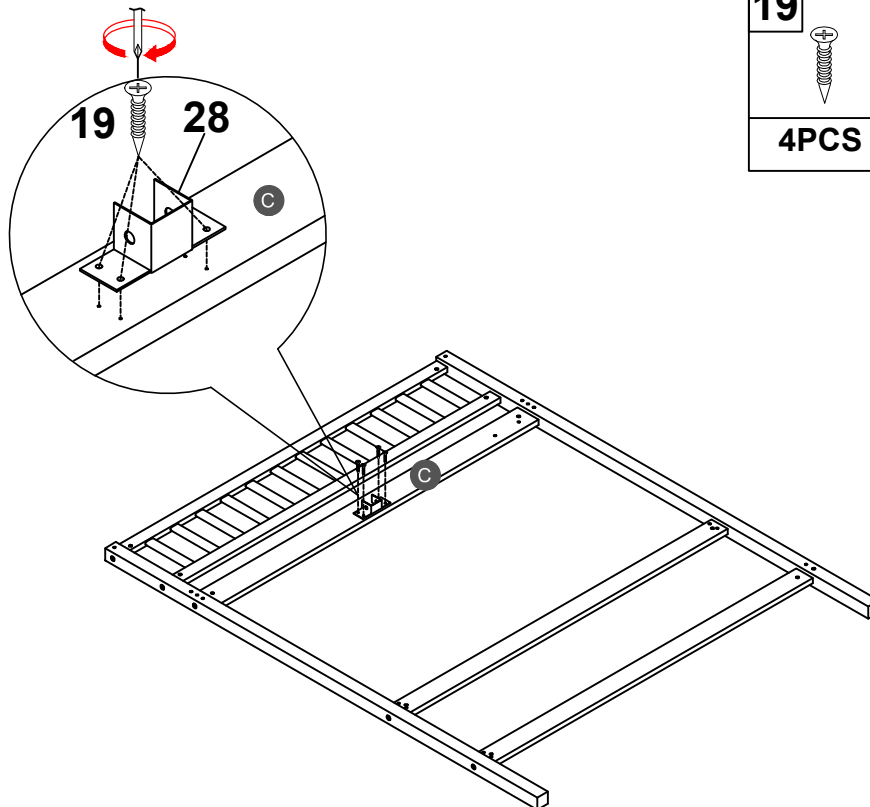



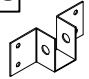
5		12	
	10PCS		10PCS

Note: Part 12 will face up with the "x" mark on it, otherwise it cannot be tightened





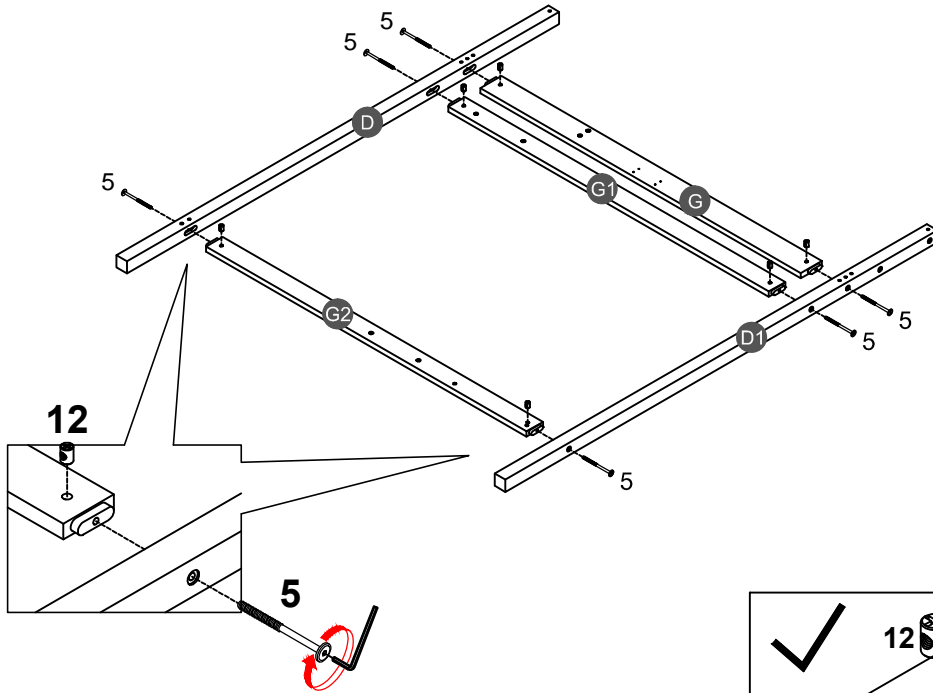
STEP 2:



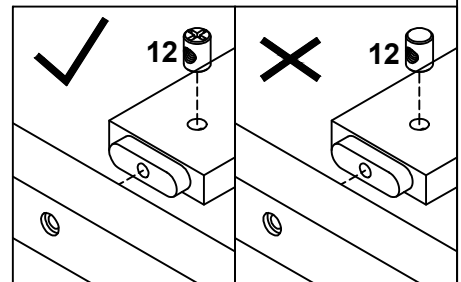
19		28	
	4PCS		1PC

STEP 3:

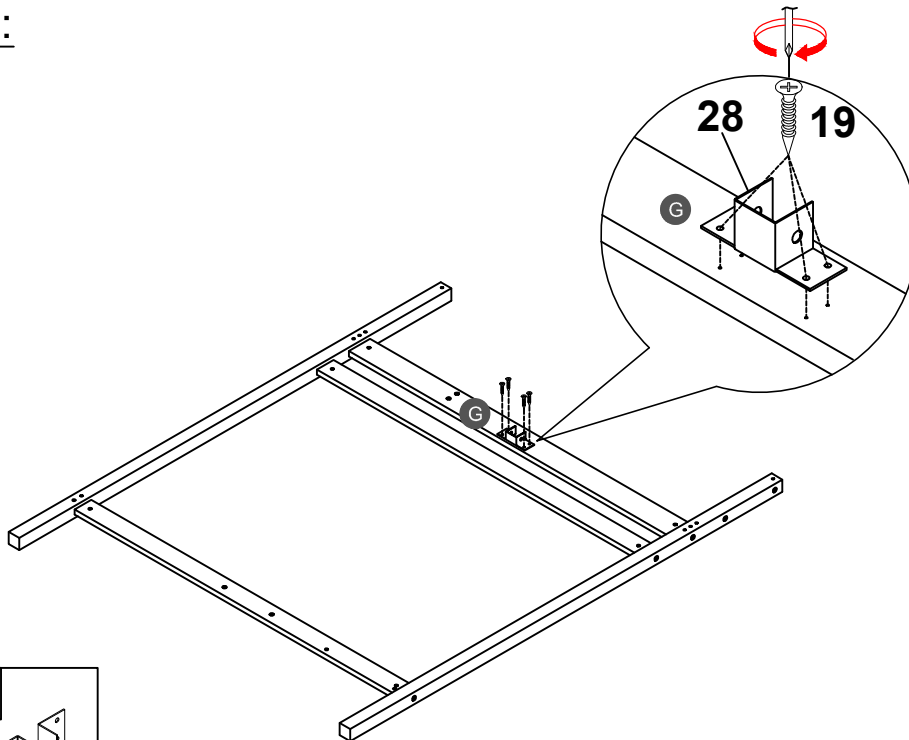
5		12	
6PCS		6PCS	


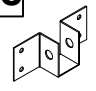


Note: Part 12 will face up with the "x" mark on it, otherwise it cannot be tightened

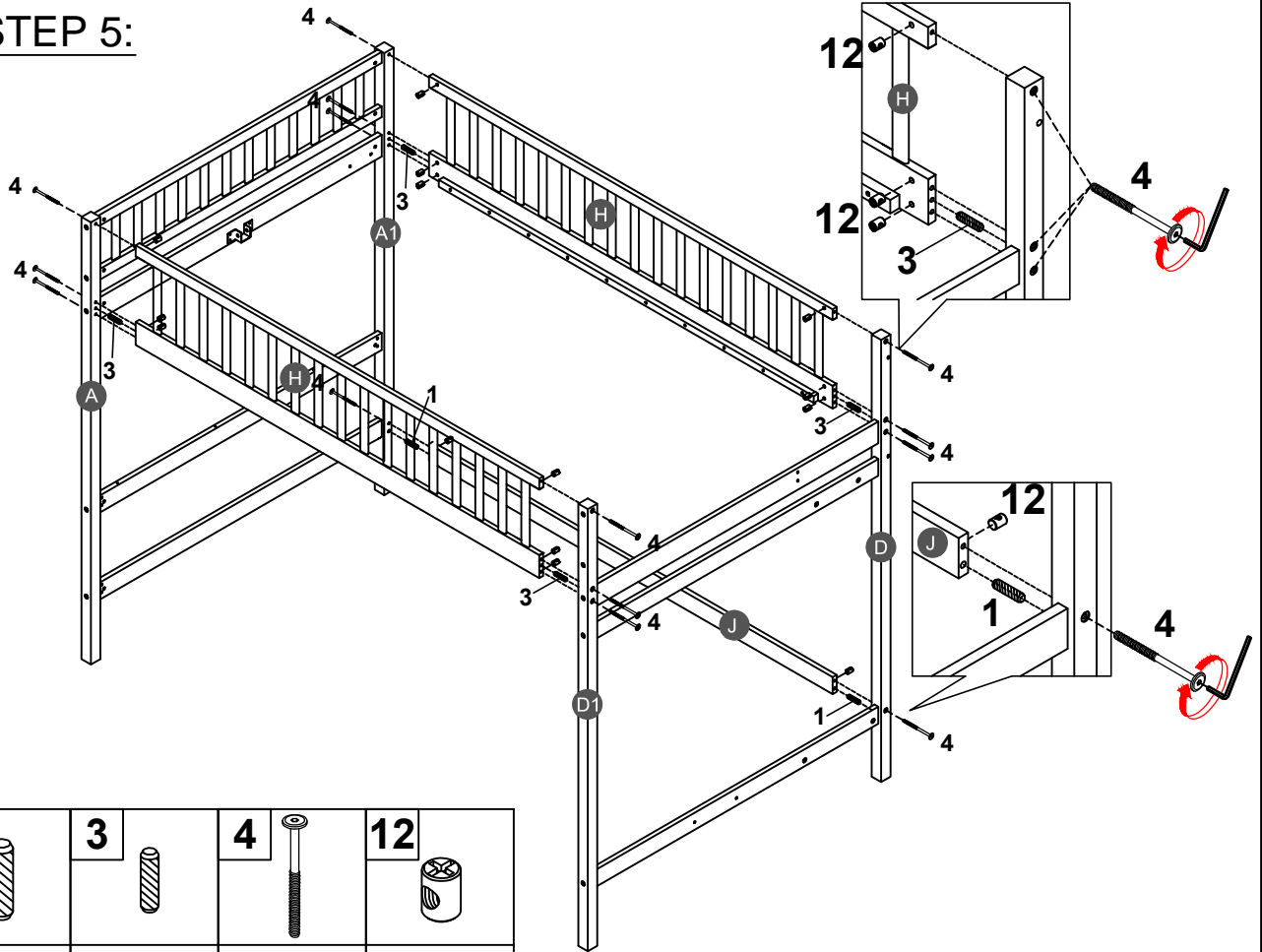






STEP 4:



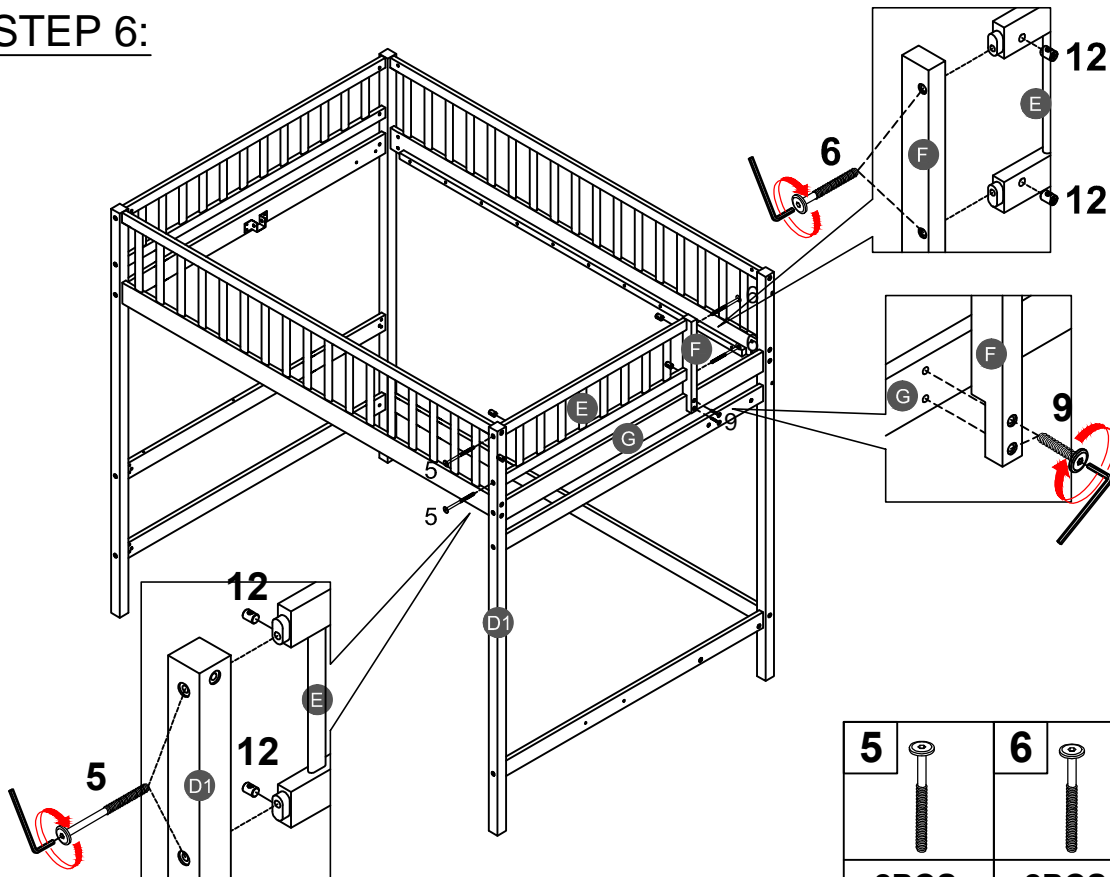
19		28	
4PCS		1PC	





STEP 5:






1		3		4		12	
2PCS		4PCS		14PCS		14PCS	

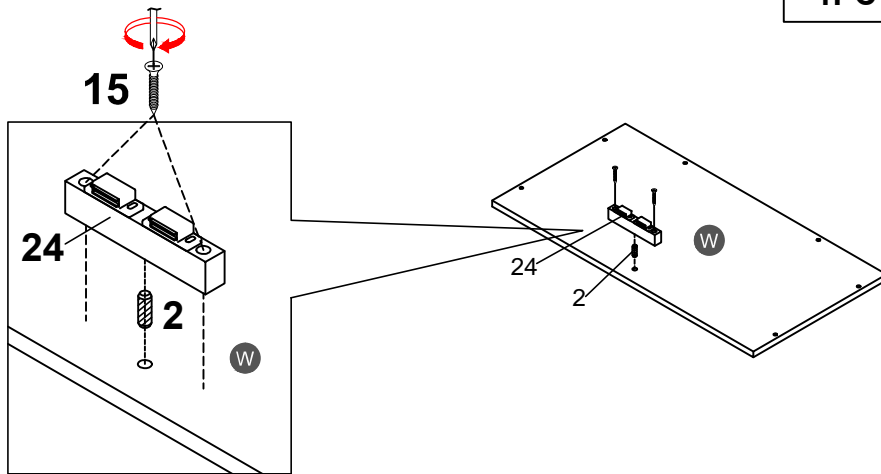
STEP 6:





12			
	4PCS		
5		6	
2PCS		2PCS	
		9	
		2PCS	

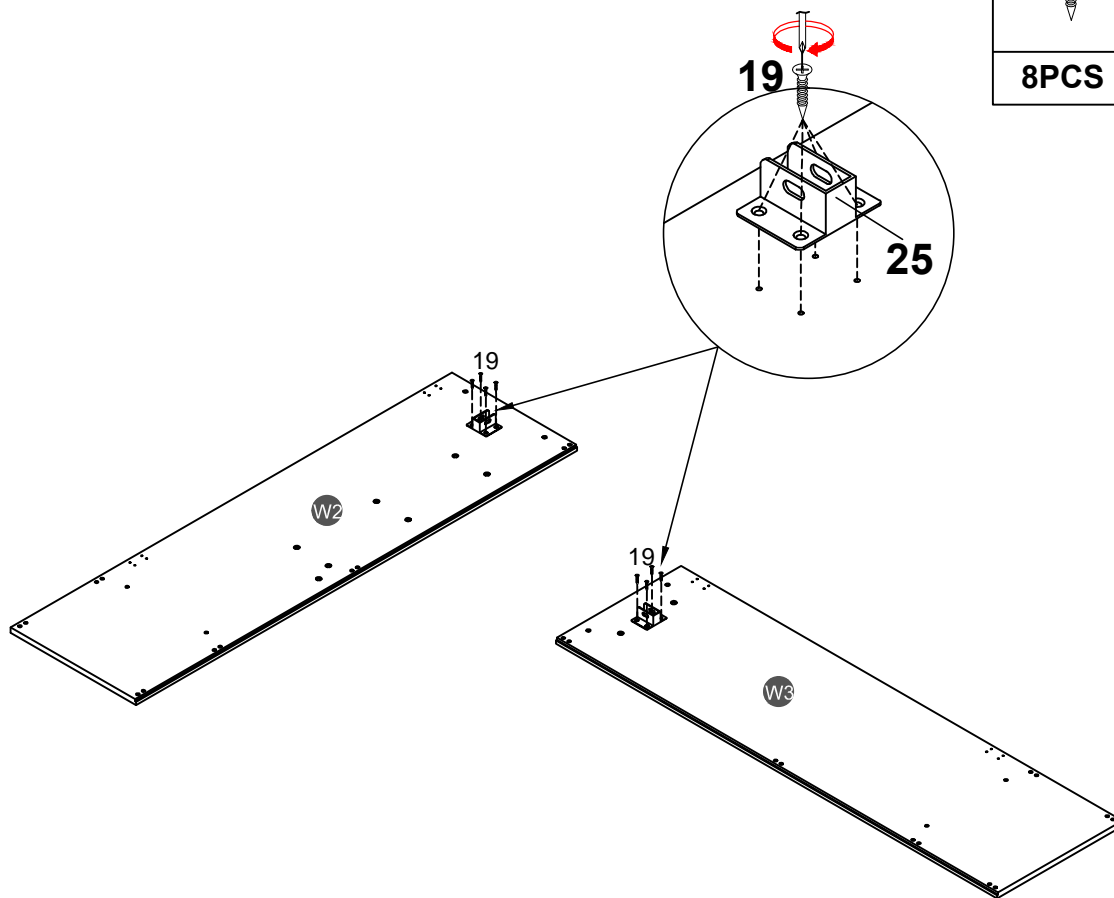
STEP 7:

2		15		24	
1PC		2PCS		1PC	





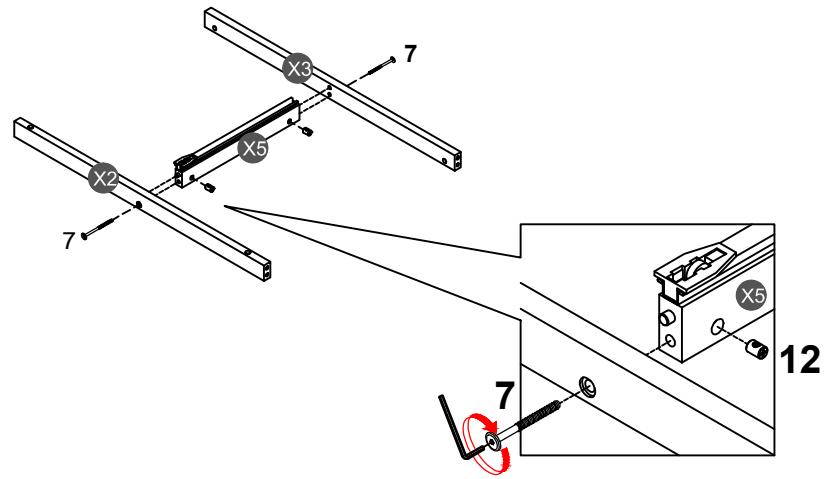
STEP 8:

19		25	
8PCS		2PCS	






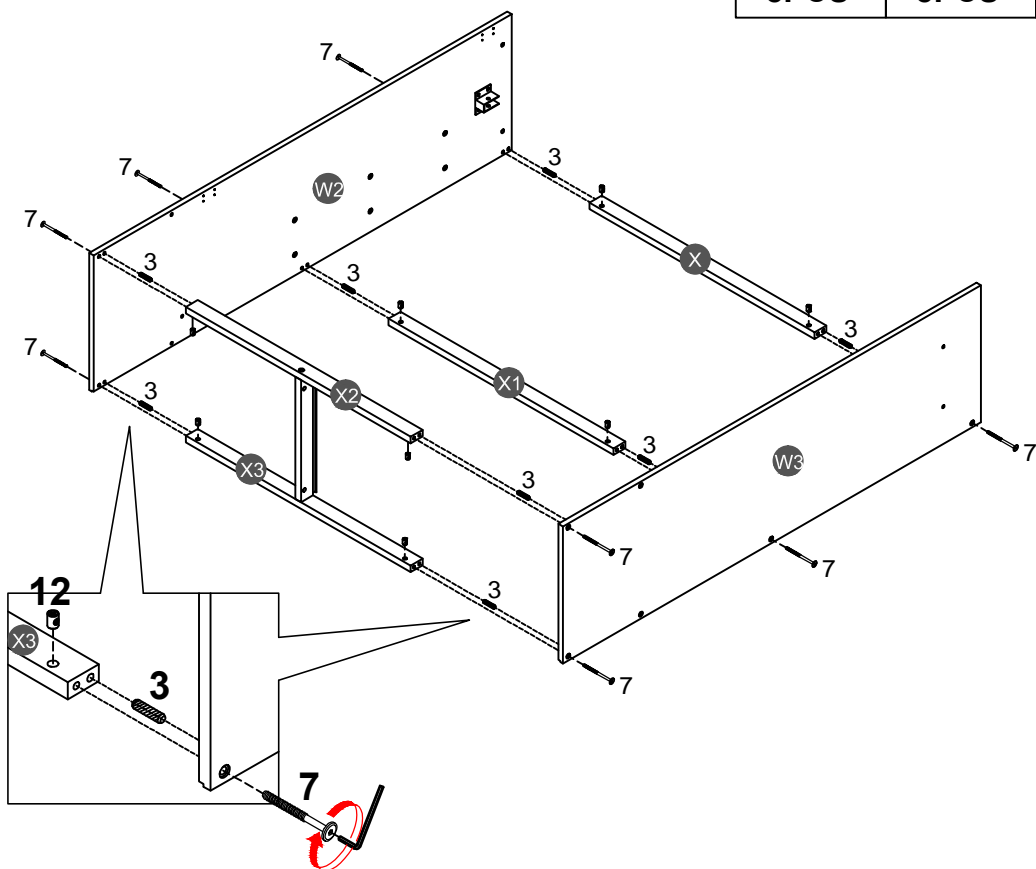
STEP 9:

7		12	
2PCS		2PCS	

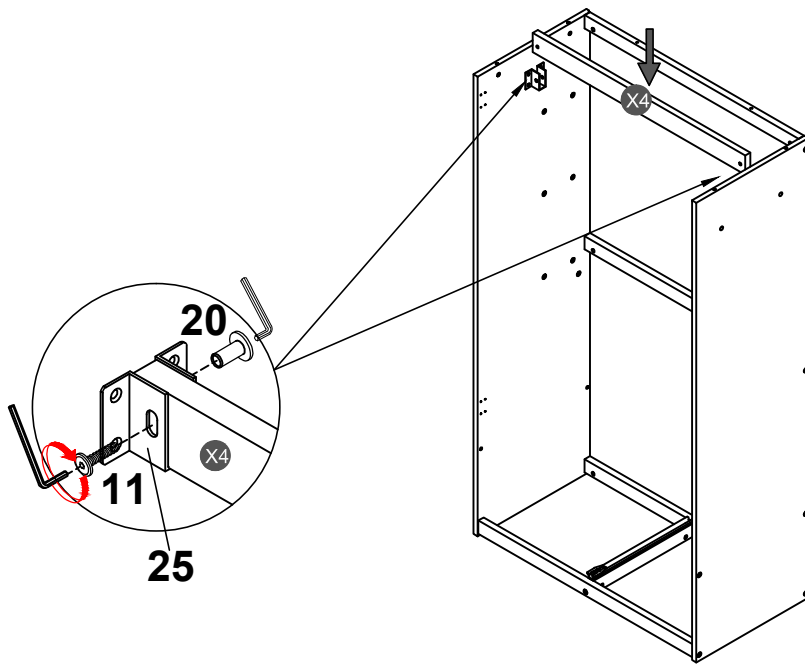



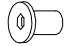
STEP 10:

3		7		12	
8PCS		8PCS		8PCS	

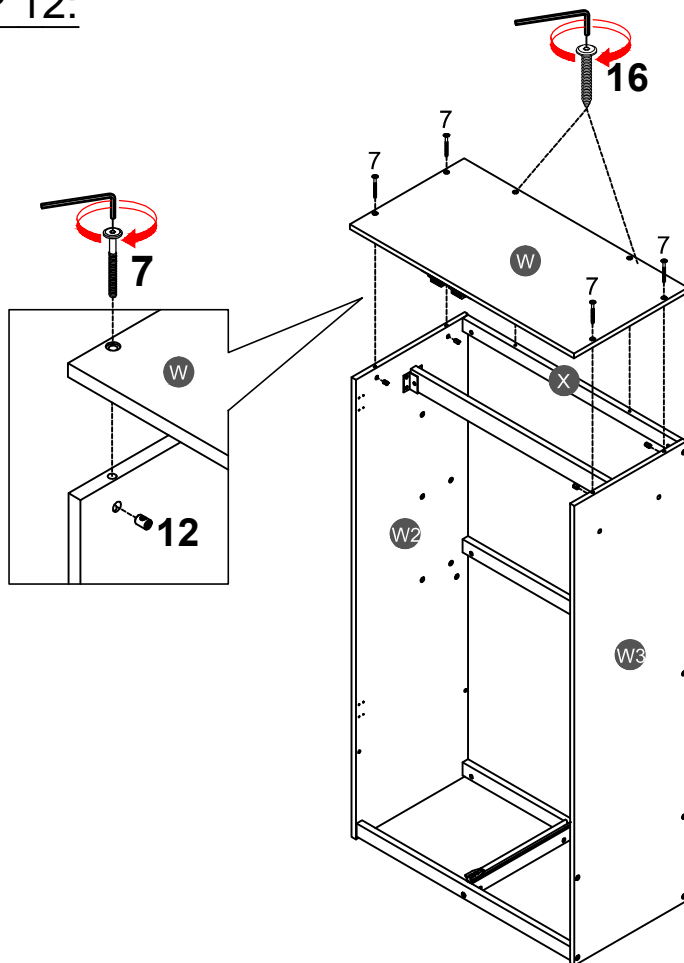





STEP 11:



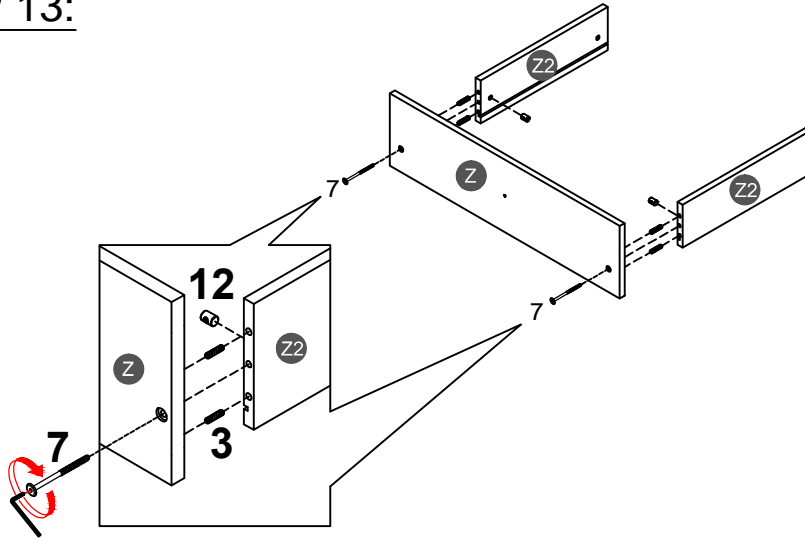
11		20	
	2PCS		2PCS

STEP 12:



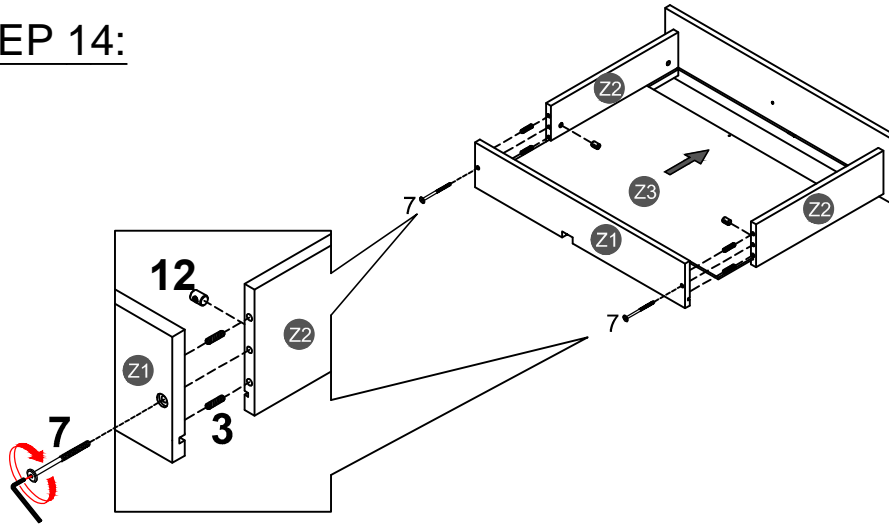
7		12	
	4PCS		4PCS
		16	
			2PCS

STEP 13:



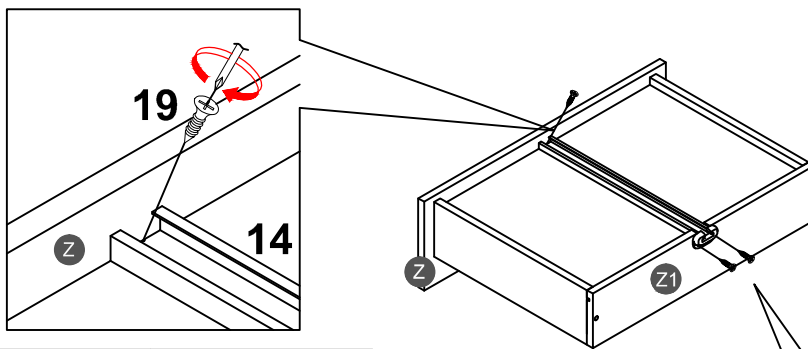
3		7	
4PCS		2PCS	
		12	
		2PCS	

STEP 14:

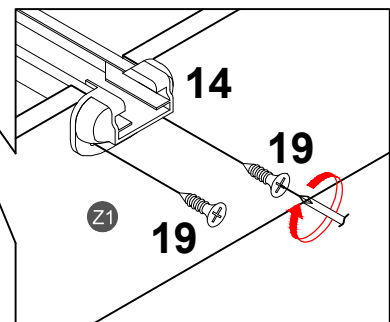
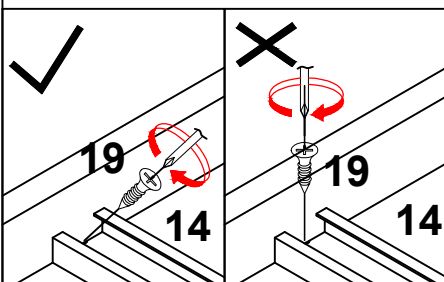


3		7	
4PCS		2PCS	
		12	
		2PCS	



STEP 15:

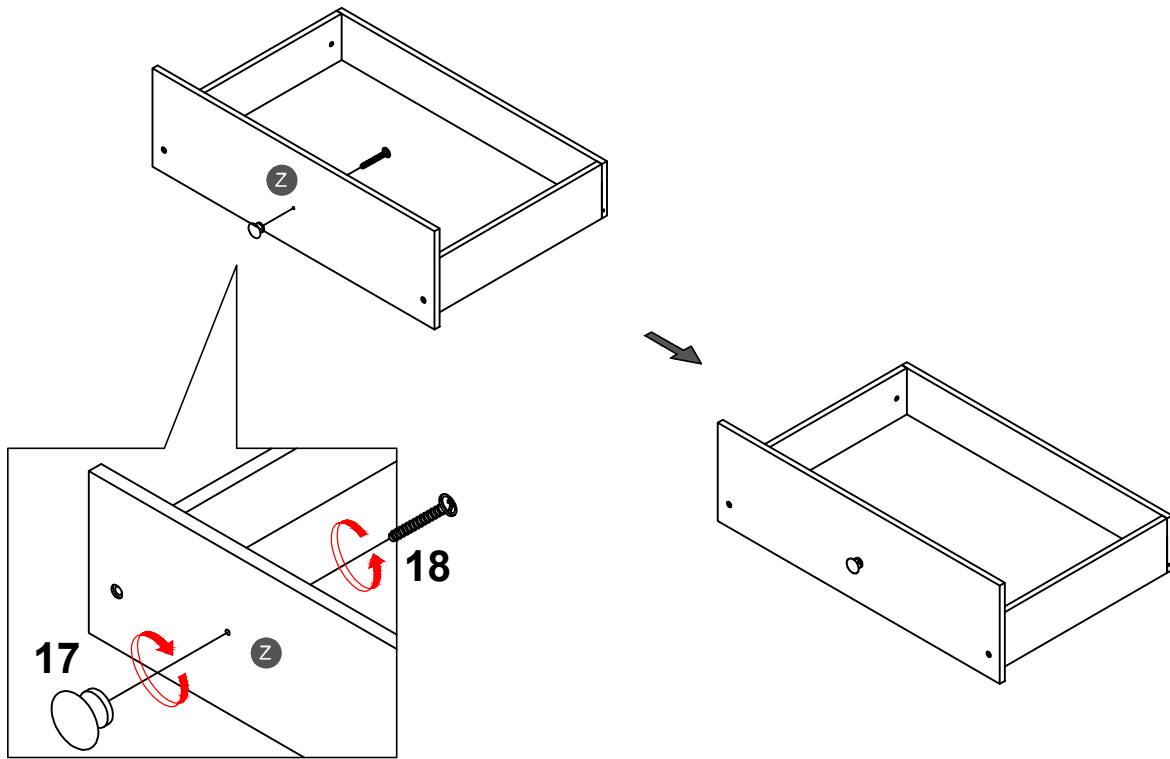


14		19	
1PC		3PCS	





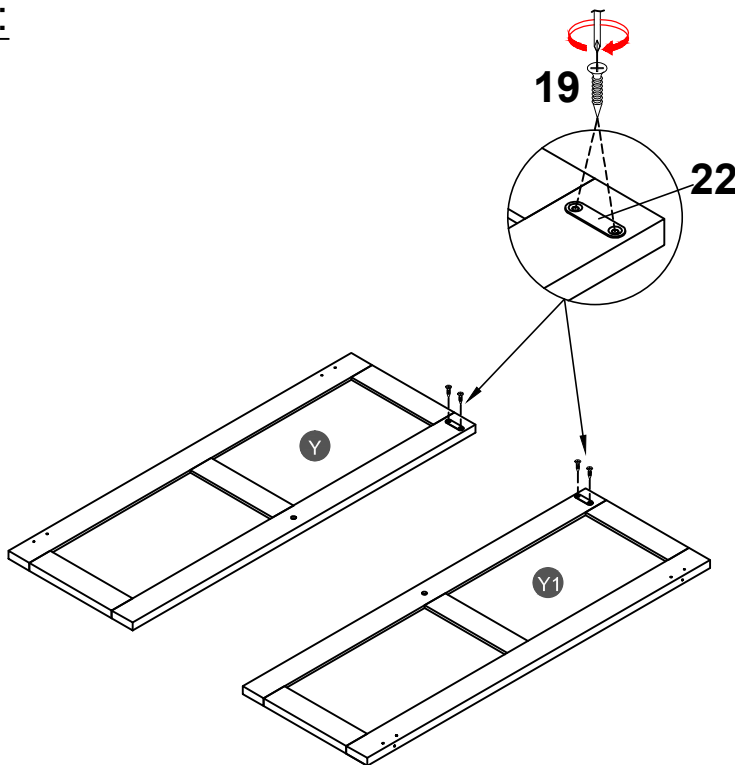
STEP 16:

17	18
	
1PC	1PC

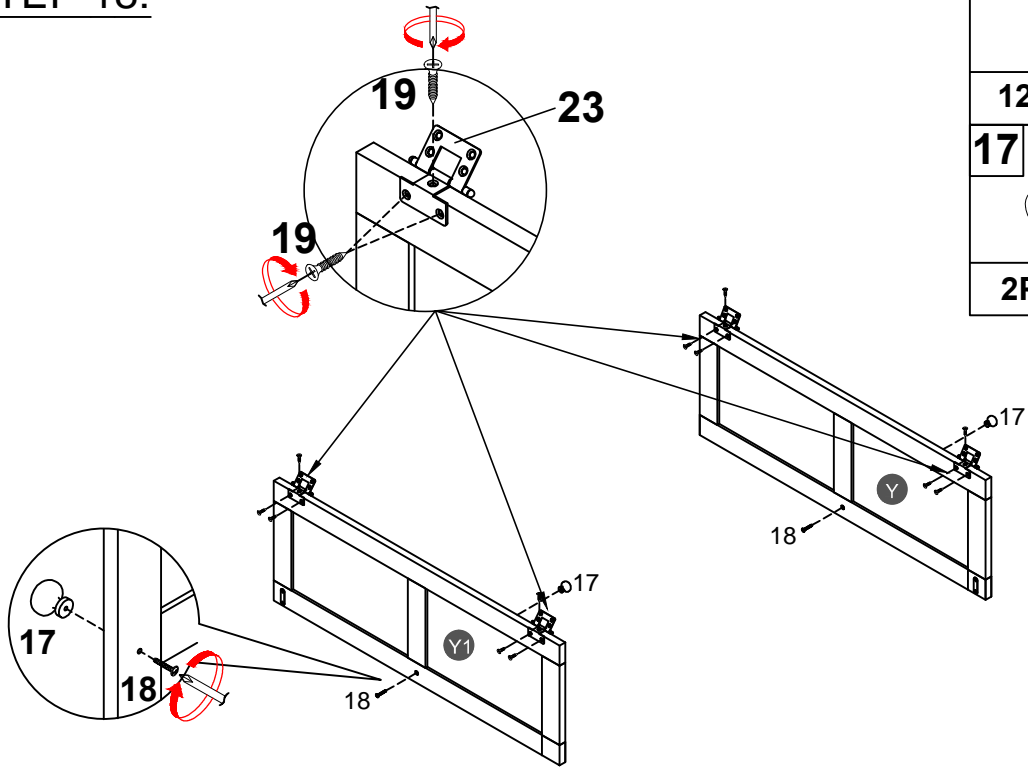



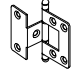


STEP 17:

19	22
	
4PCS	2PCS

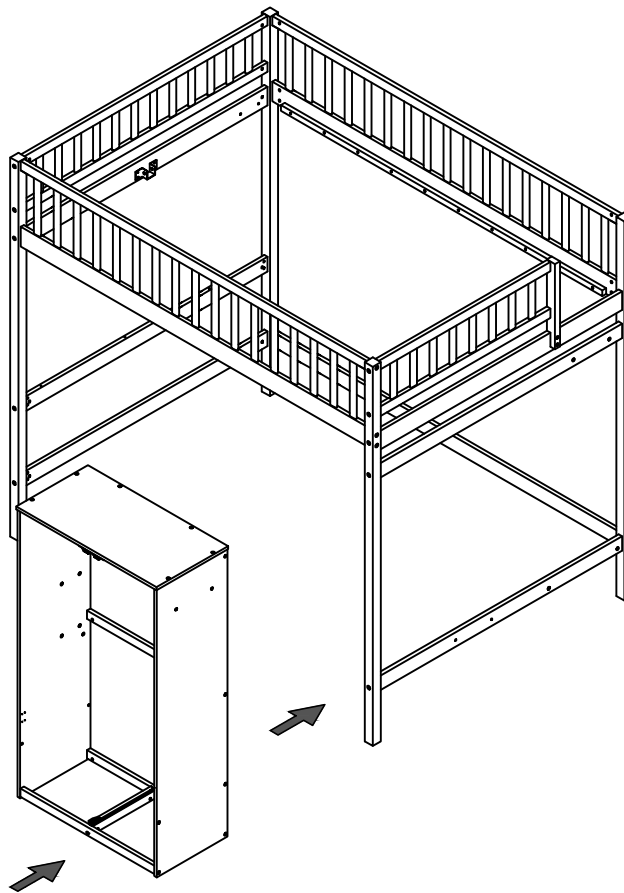


STEP 18:



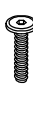



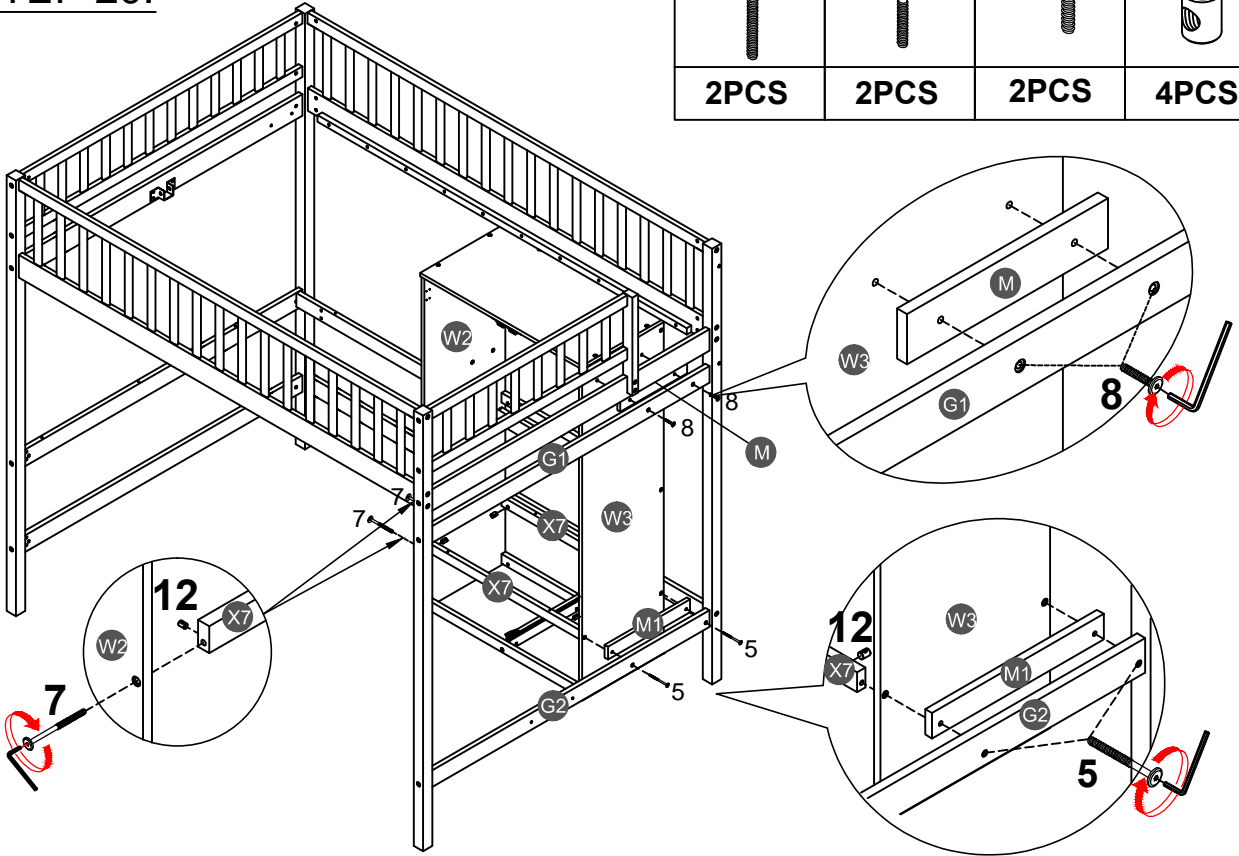
19 	23 
12PCS	4PCS
17 	18 
2PCS	2PCS

STEP 19:




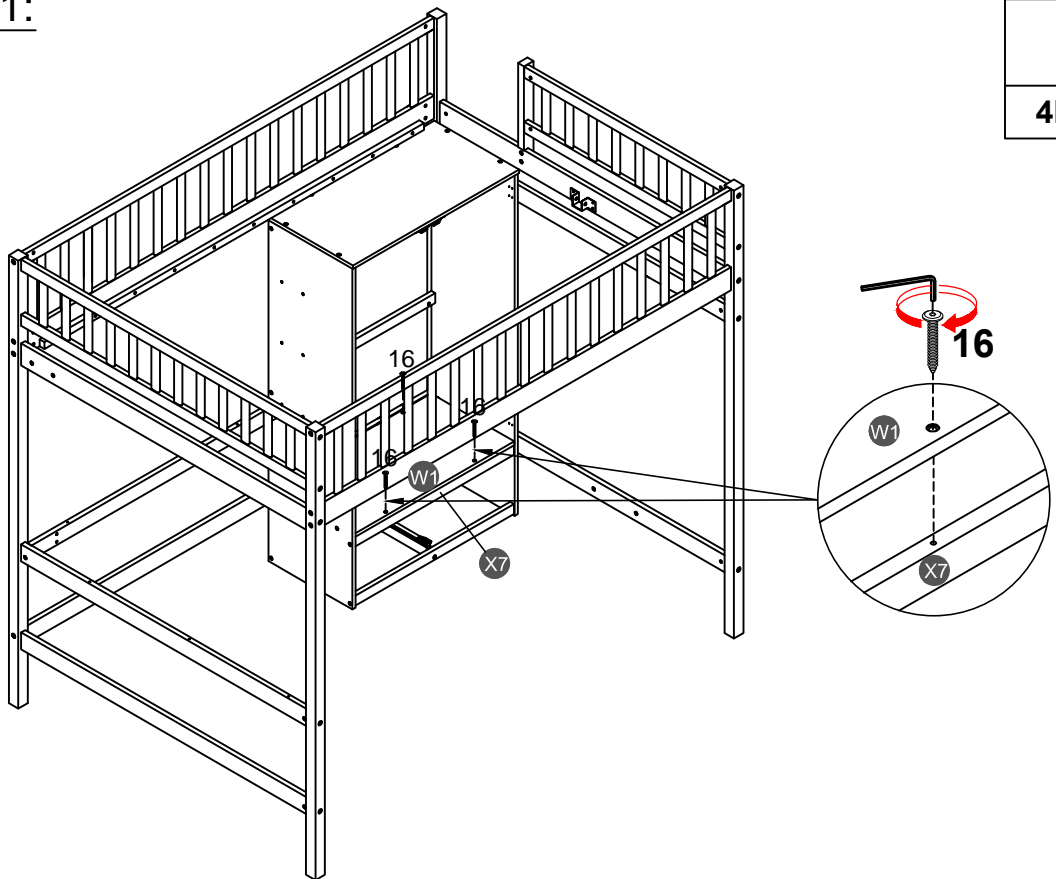
STEP 20:

5		7		8		12	
2PCS		2PCS		2PCS		4PCS	

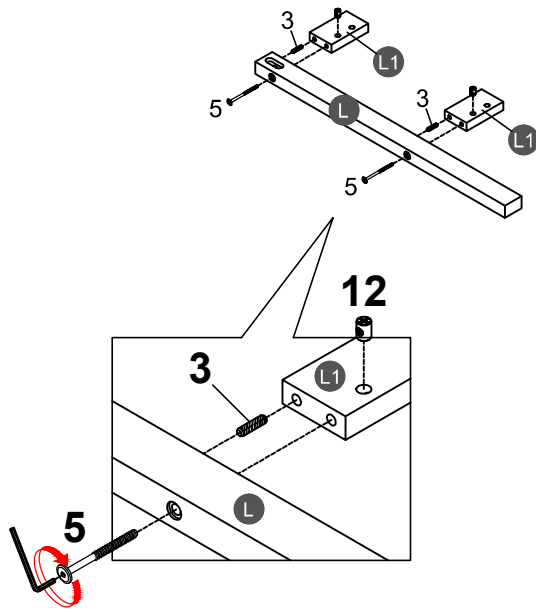





STEP 21:

16	
4PCS	

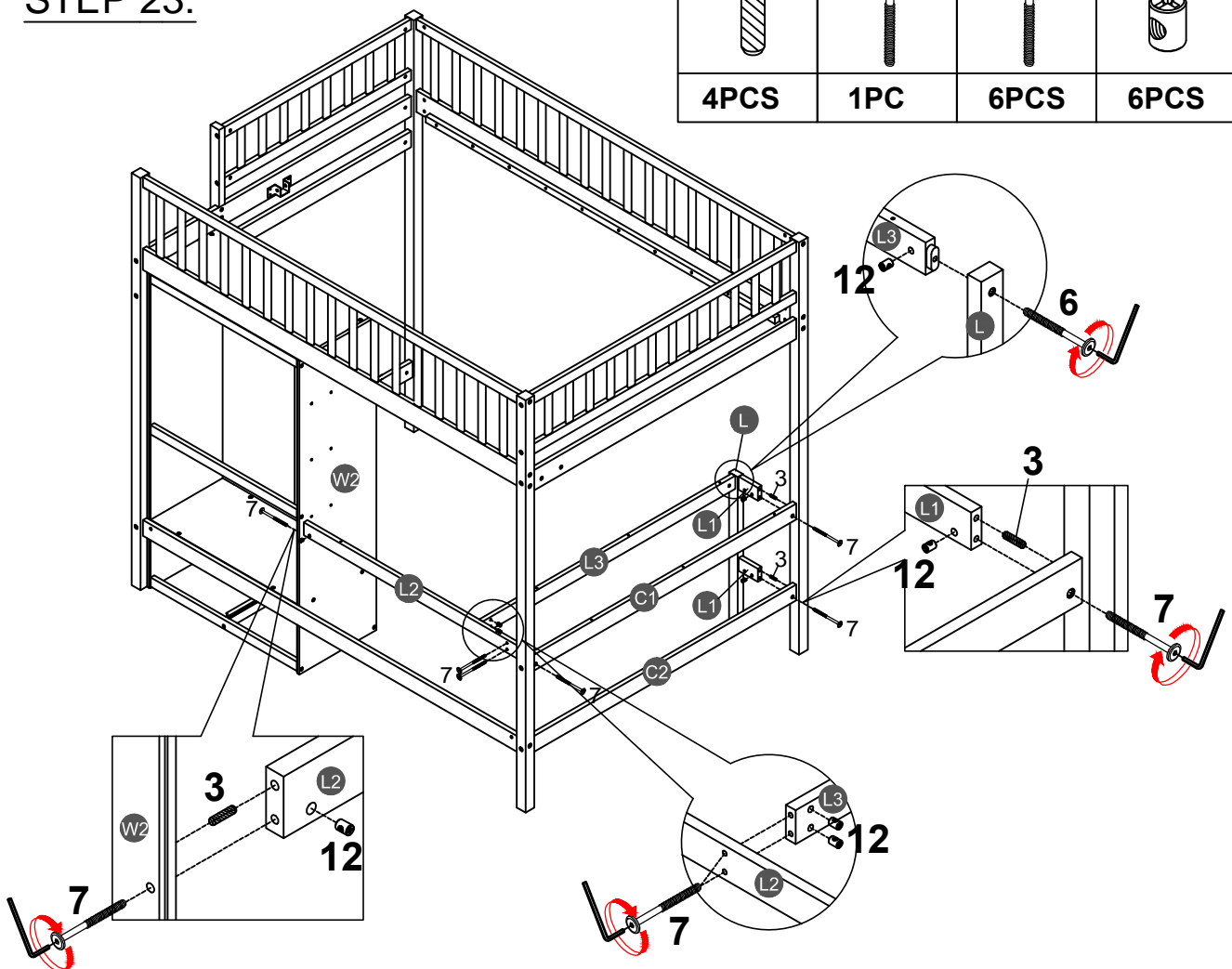






STEP 22:






3		5	
2PCS		2PCS	
		12	
		2PCS	

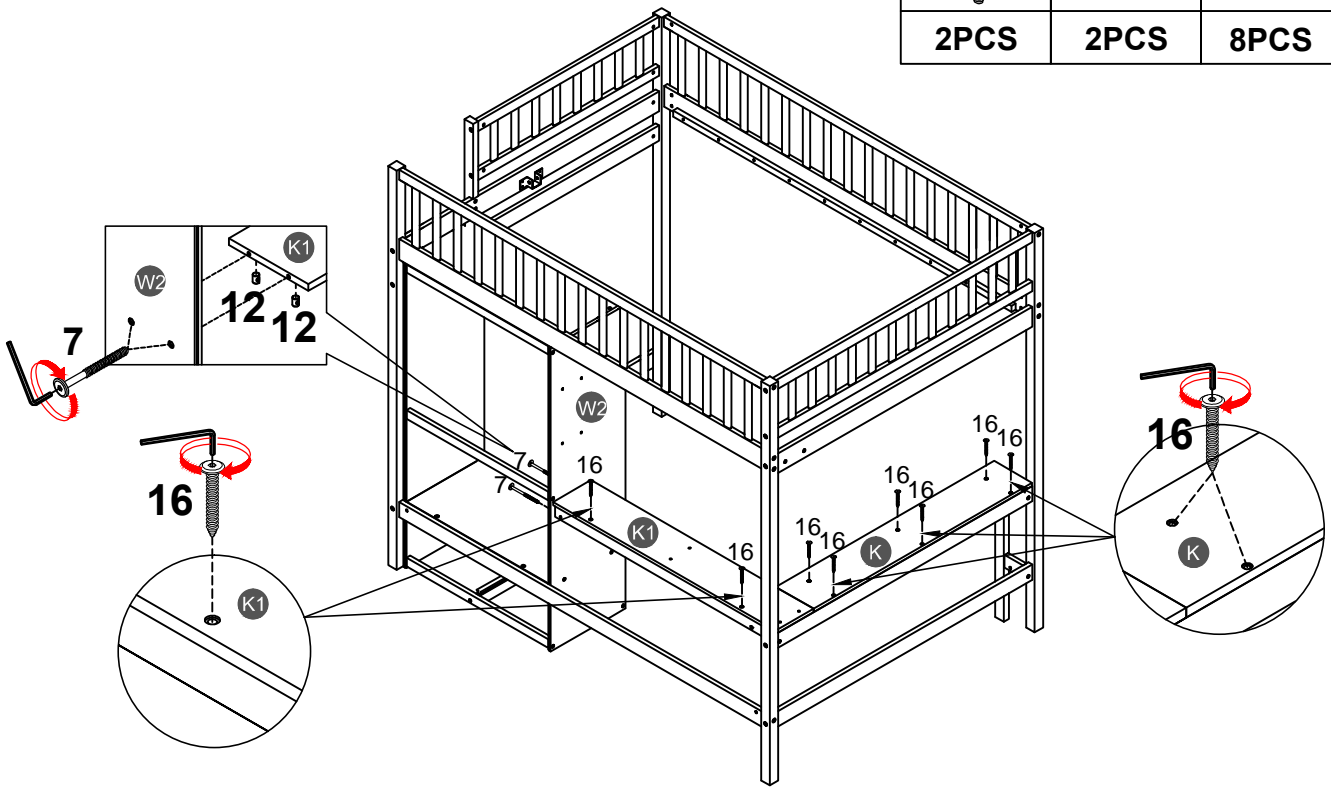
STEP 23:




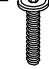

3		6		7		12	
4PCS		1PC		6PCS		6PCS	

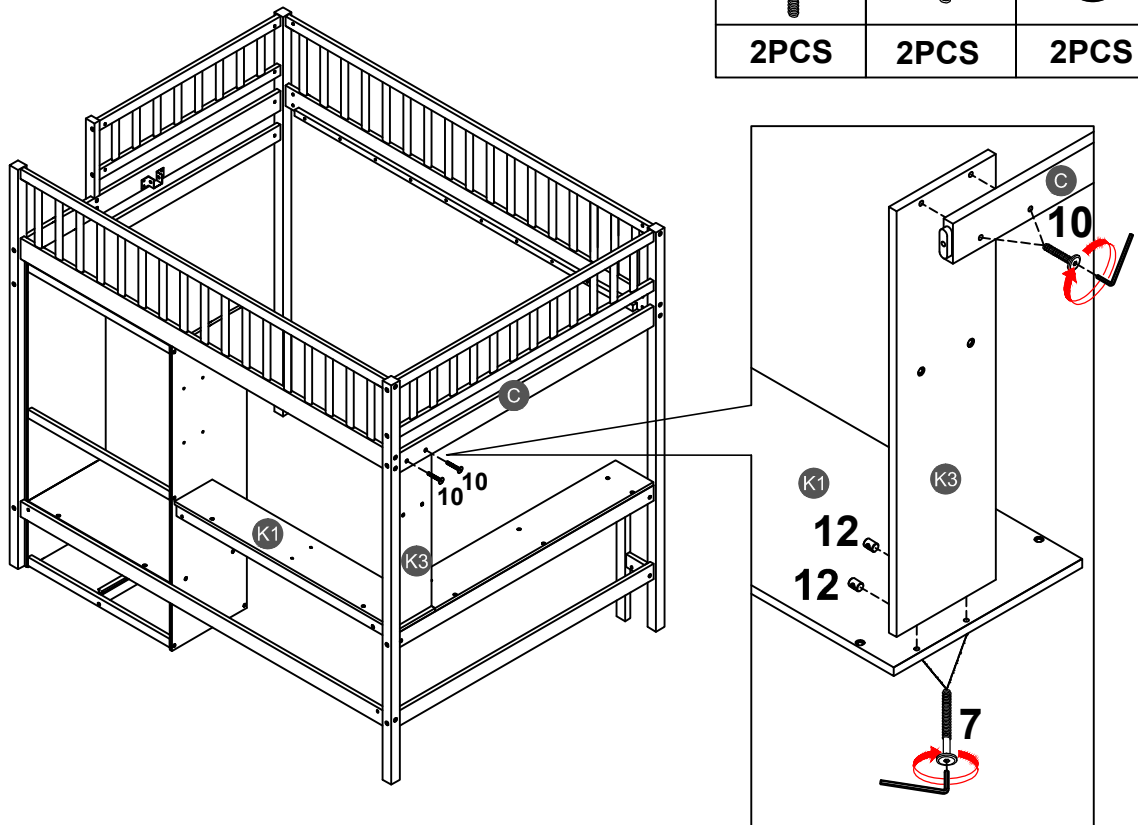
STEP 24:

7 	12 	16 
2PCS	2PCS	8PCS





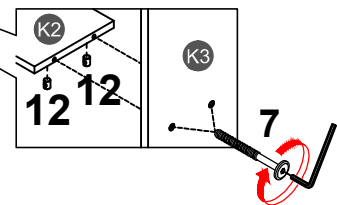
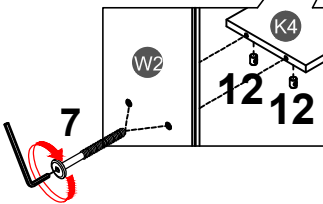
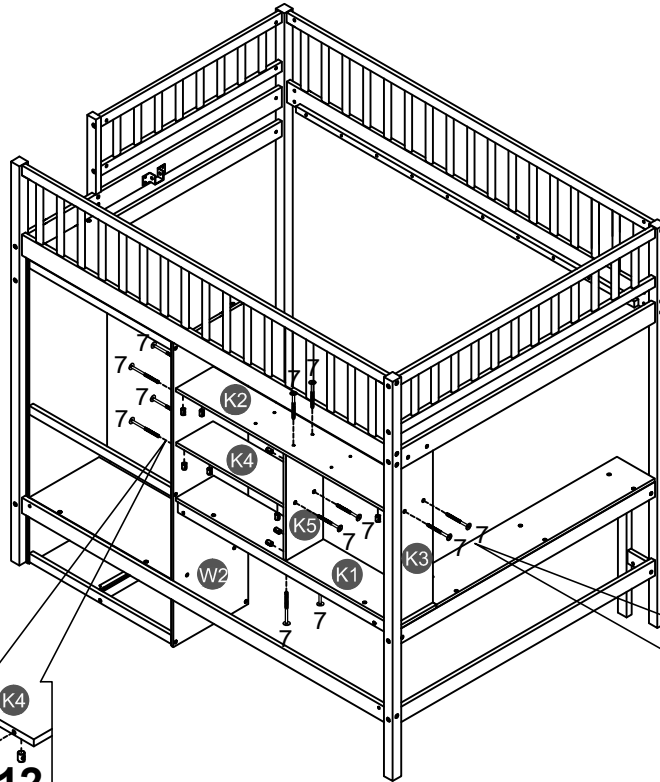
STEP 25:

7 	10 	12 
2PCS	2PCS	2PCS





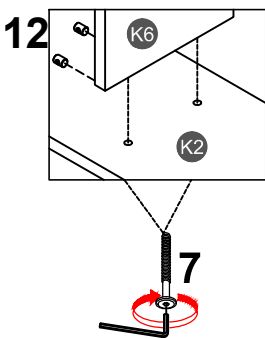
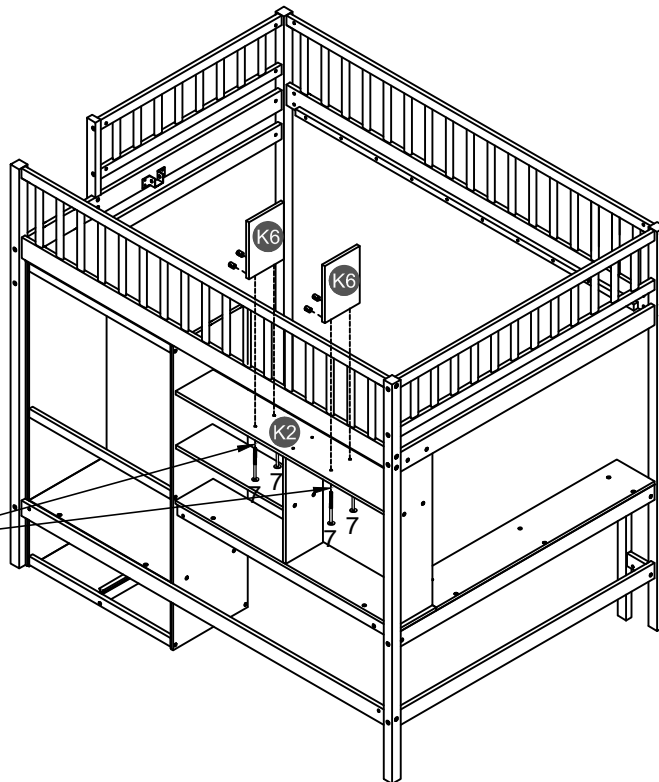
STEP 26:

7		12	
12PCS		12PCS	

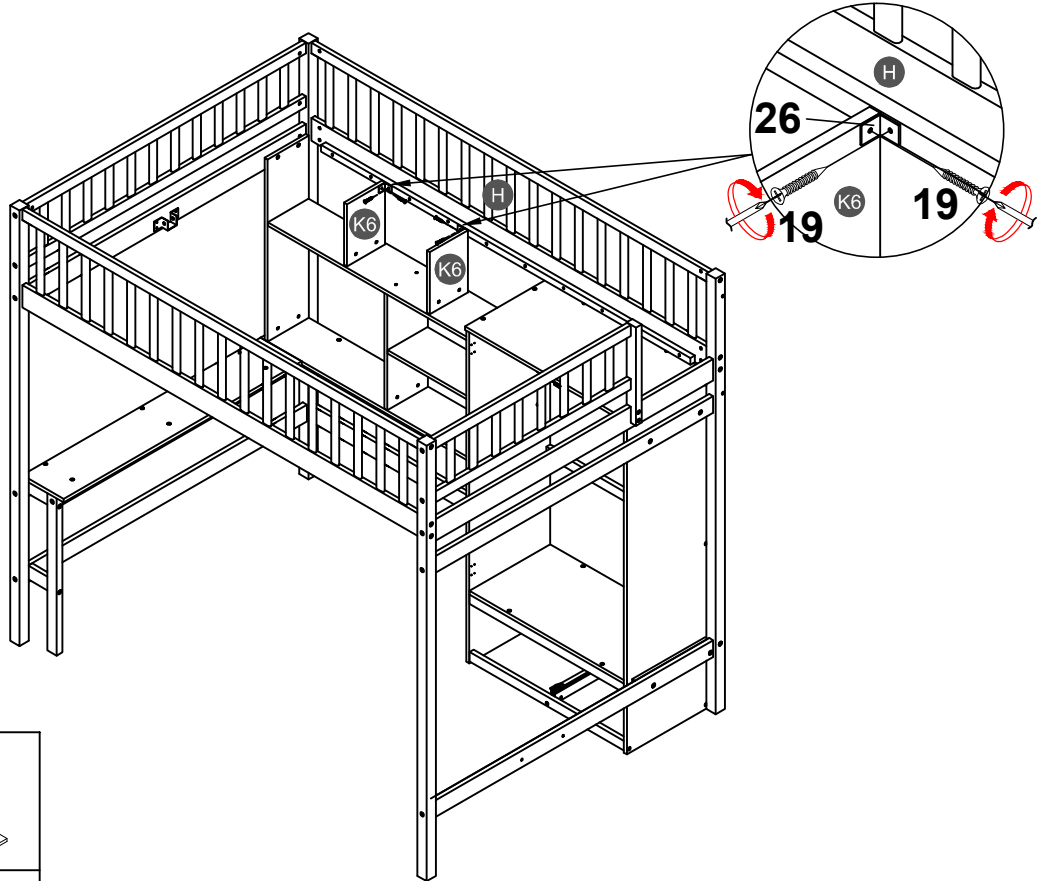



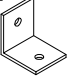
STEP 27:

7		12	
4PCS		4PCS	




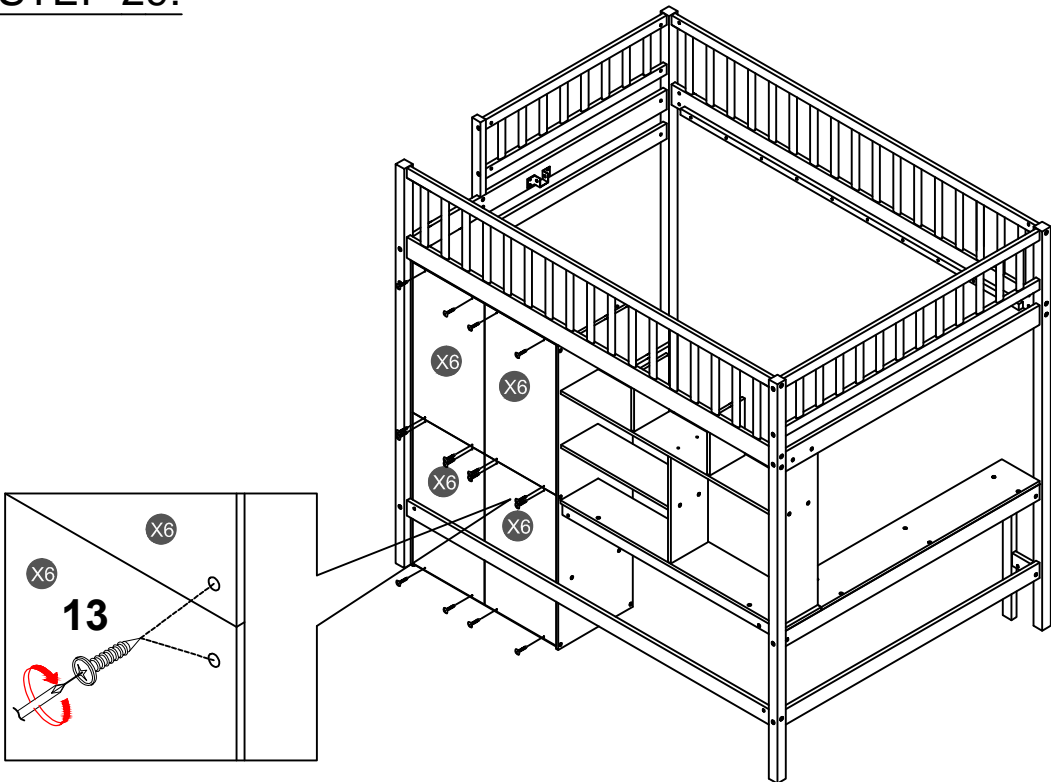
STEP 28:



19 	26 
4PCS	2PCS

STEP 29:

13 
16PCS

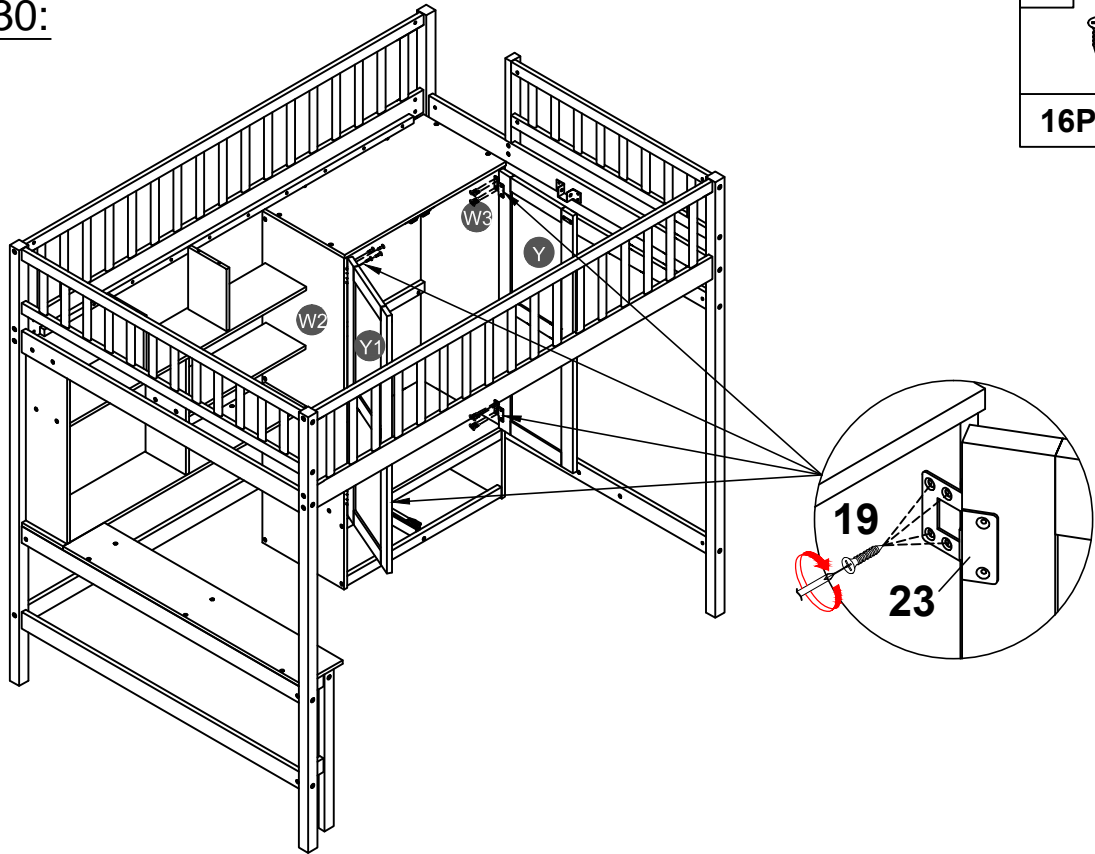


STEP 30:

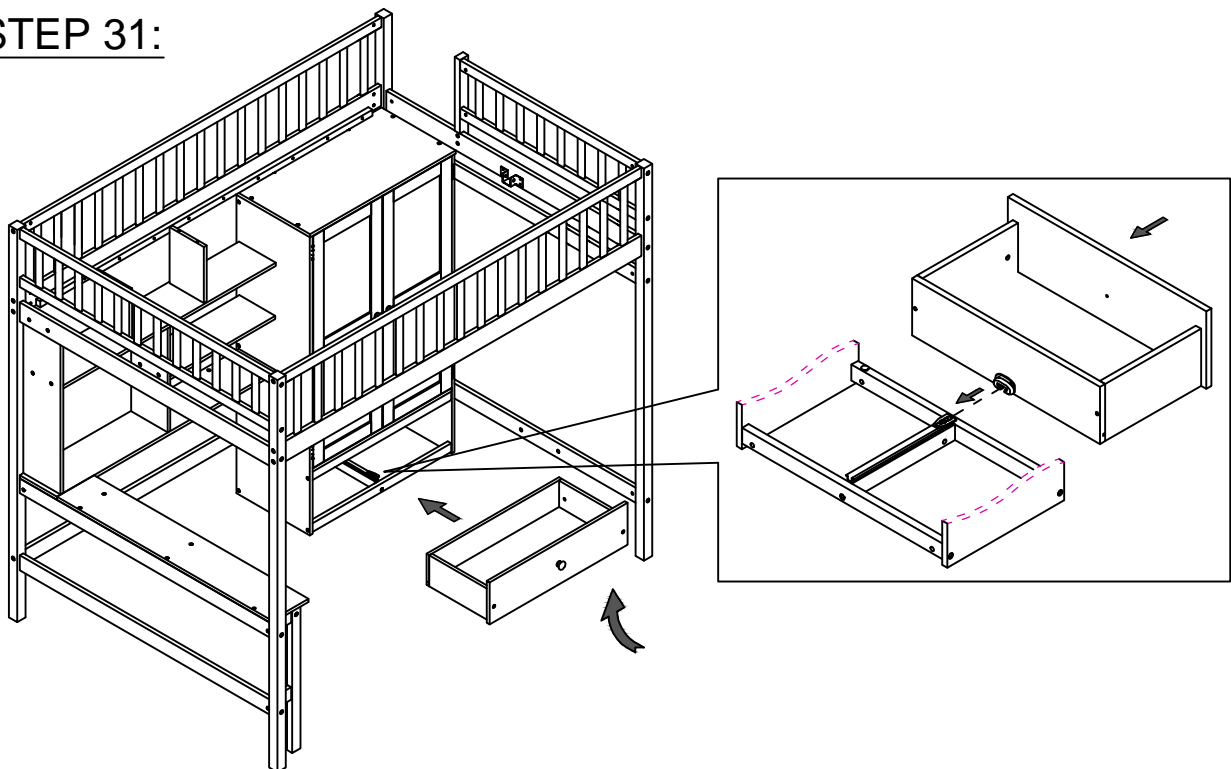
19



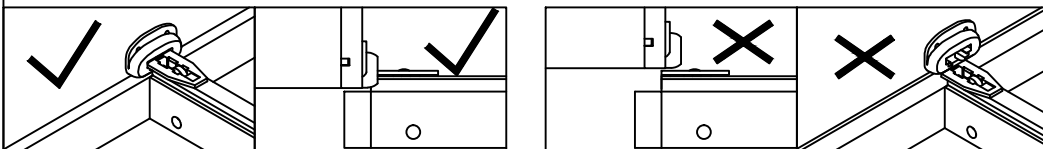
16PCS



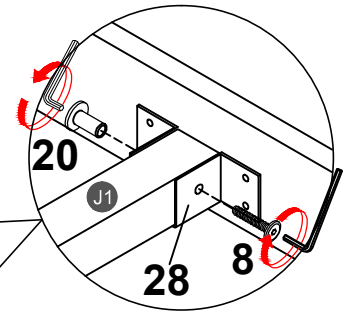
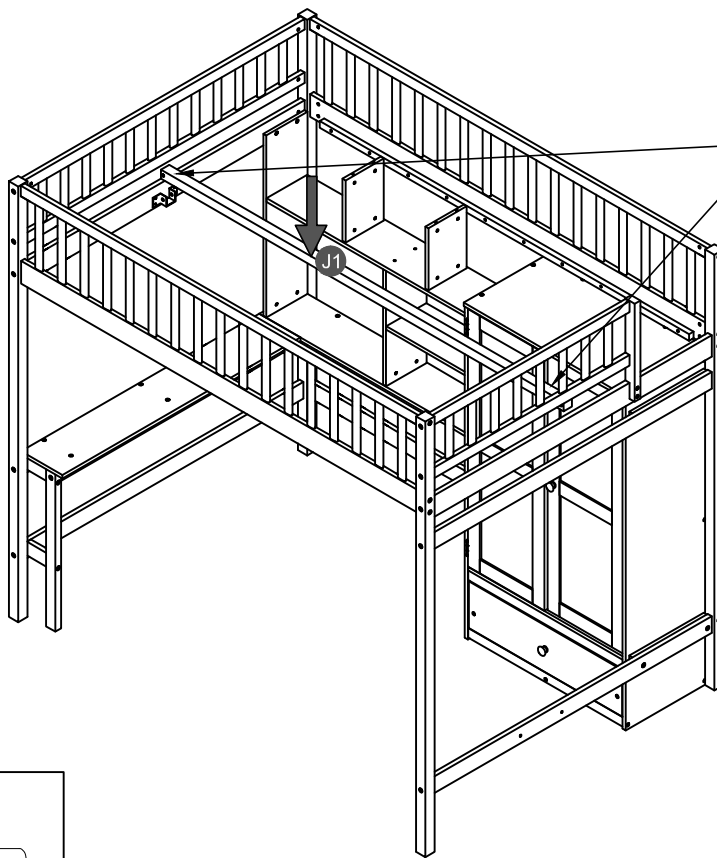
STEP 31:





Align the slide rail at the bottom of the drawer and ensure it is secure, then push the drawer in firmly to make the slide rails smoothly on the track.

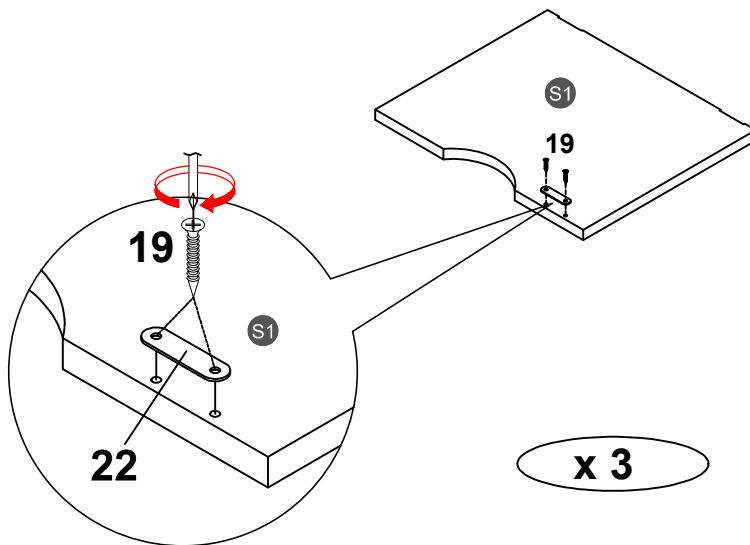




STEP 32:




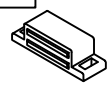
8		20	
2PCS		2PCS	

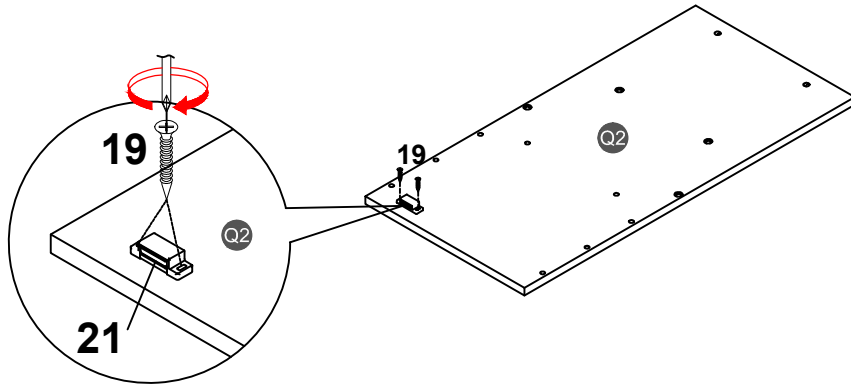
STEP 33:




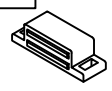
19		22	
6PCS		3PCS	

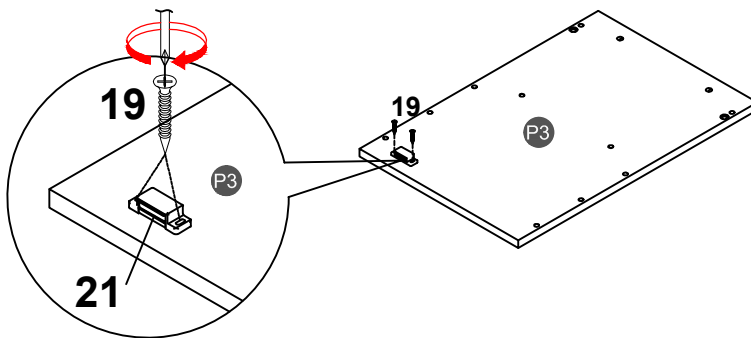
STEP 34:

19		21	
2PCS		1PC	


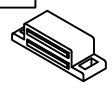


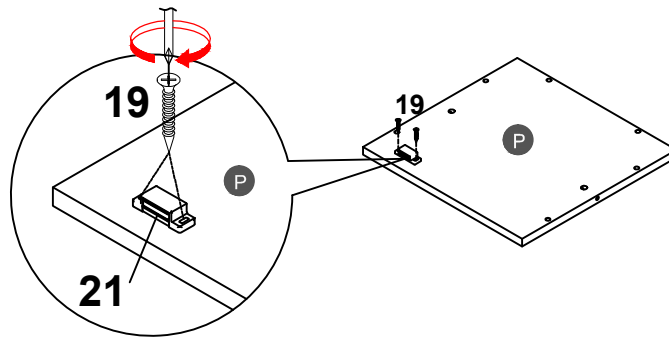
STEP 35:

19		21	
2PCS		1PC	





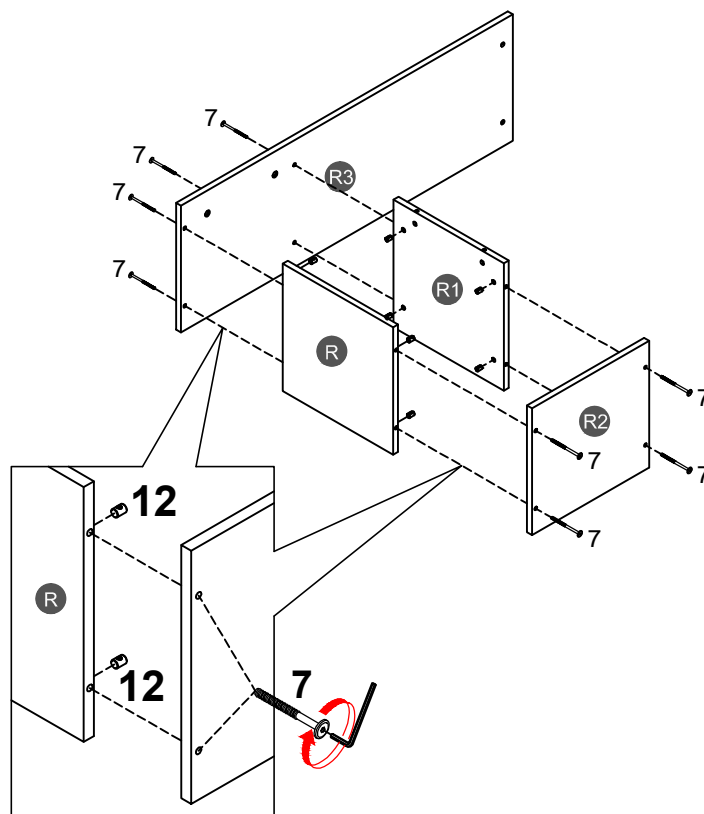
STEP 36:

19		21	
2PCS		1PC	

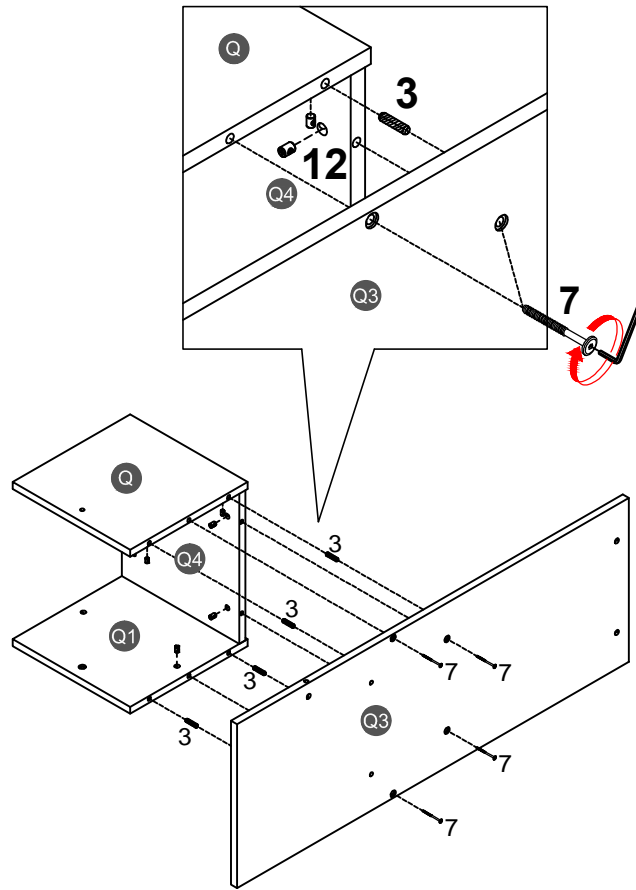





STEP 37:

7		12	
8PCS		8PCS	

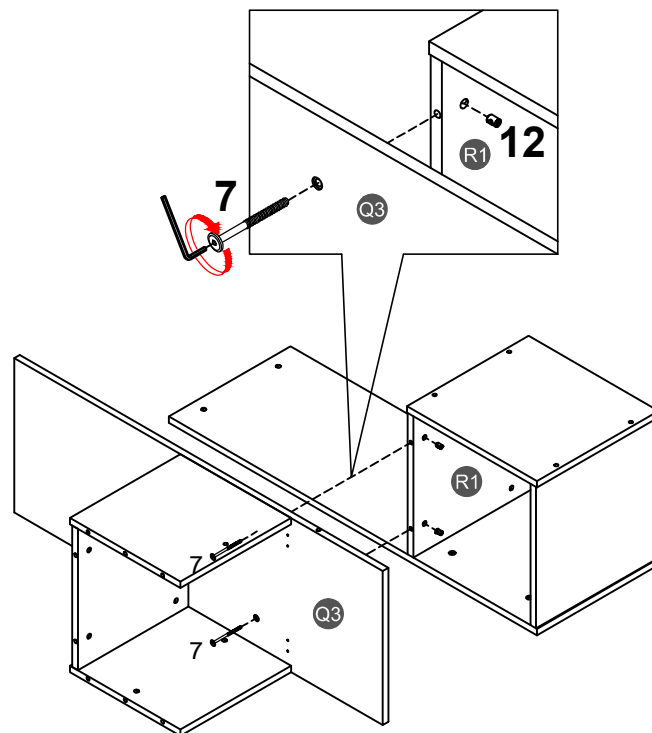




STEP 38:



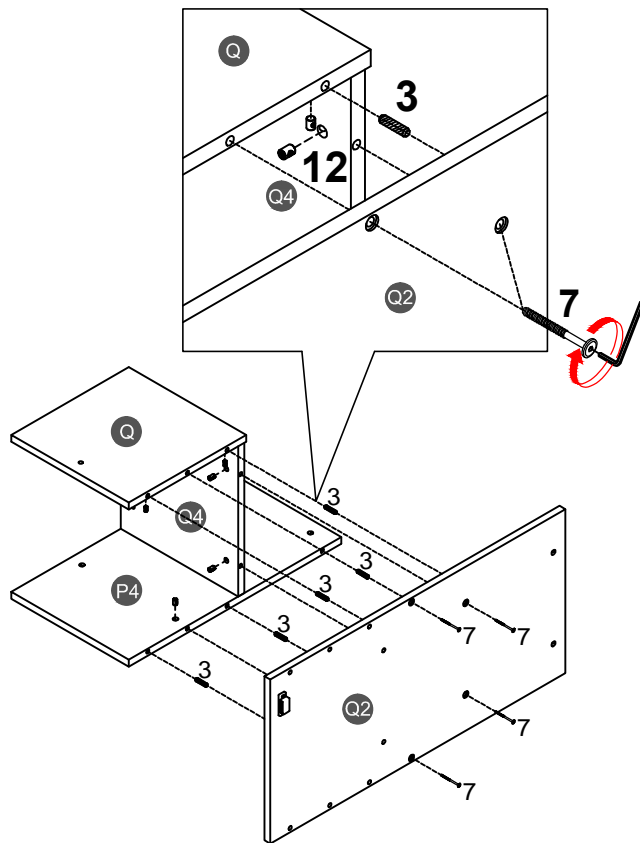
3		7		12	
4PCS		4PCS		4PCS	




STEP 39:



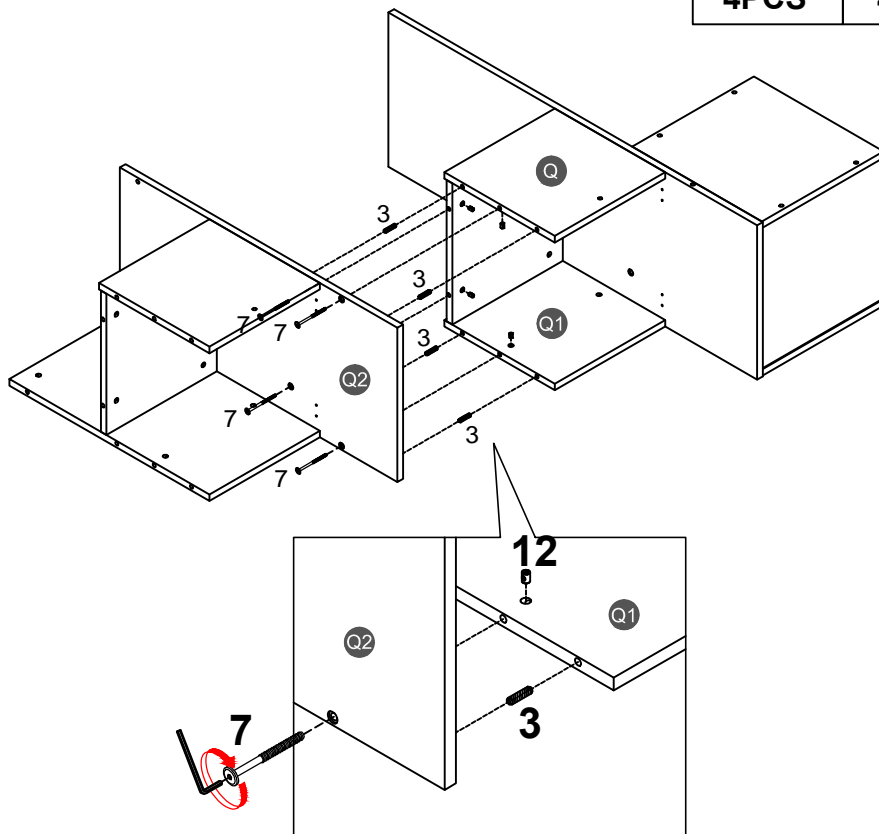
7		12	
2PCS		2PCS	




STEP 40:






3		7		12	
5PCS		4PCS		4PCS	

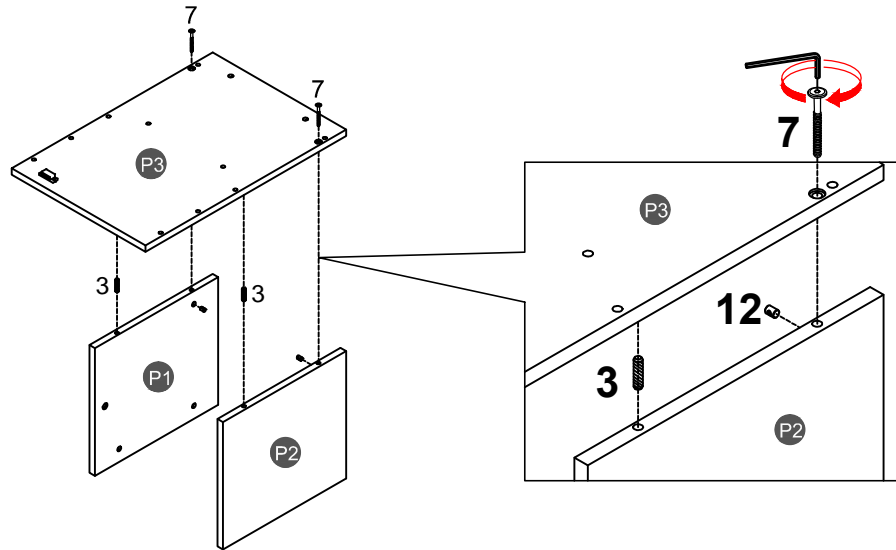
STEP 41:





3		7		12	
4PCS		4PCS		4PCS	

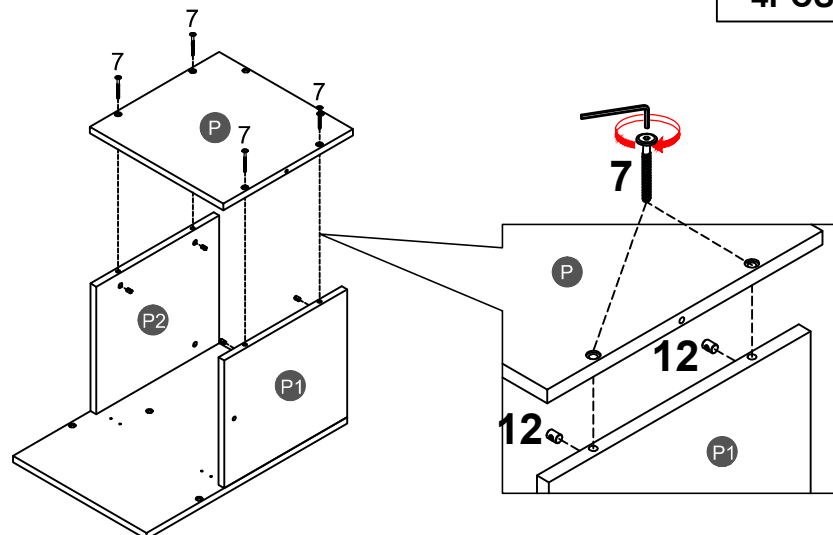
STEP 42:

3		7		12	
2PCS		2PCS		2PCS	

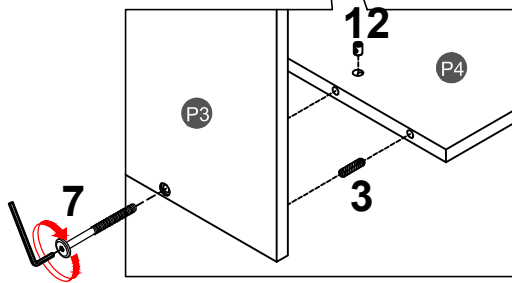
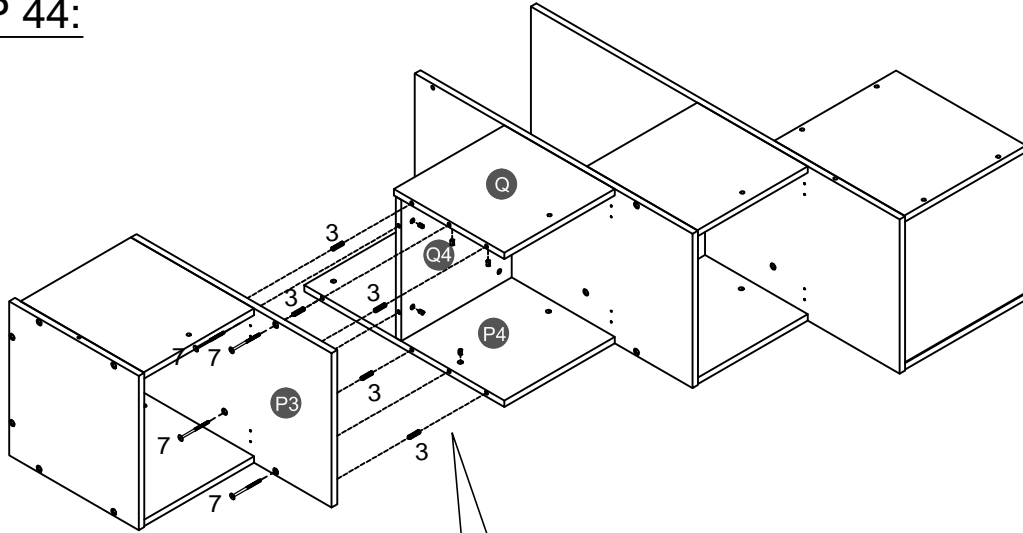





STEP 43:

7		12	
4PCS		4PCS	

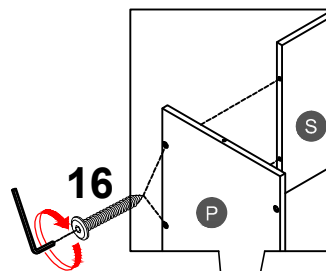
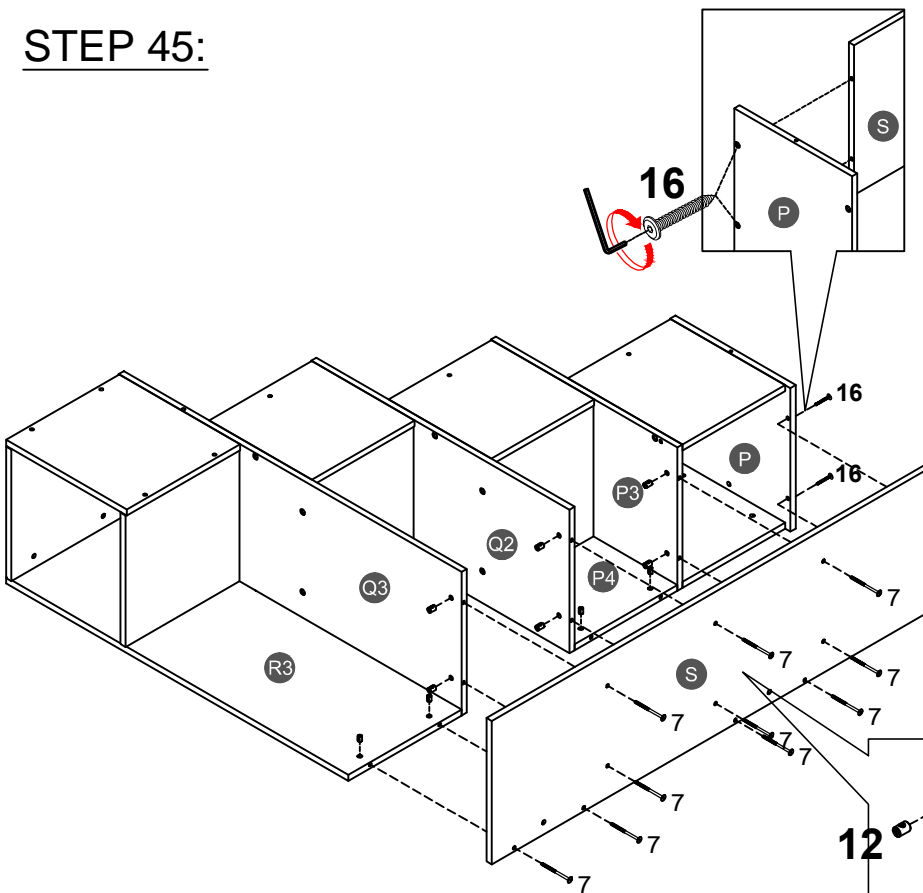




STEP 44:




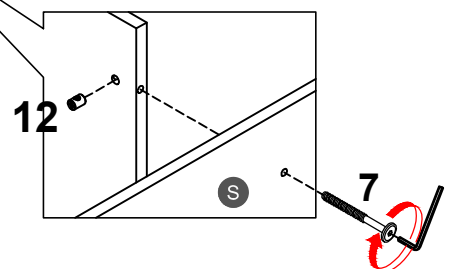
3 	7 	12 
5PCS	4PCS	4PCS

STEP 45:

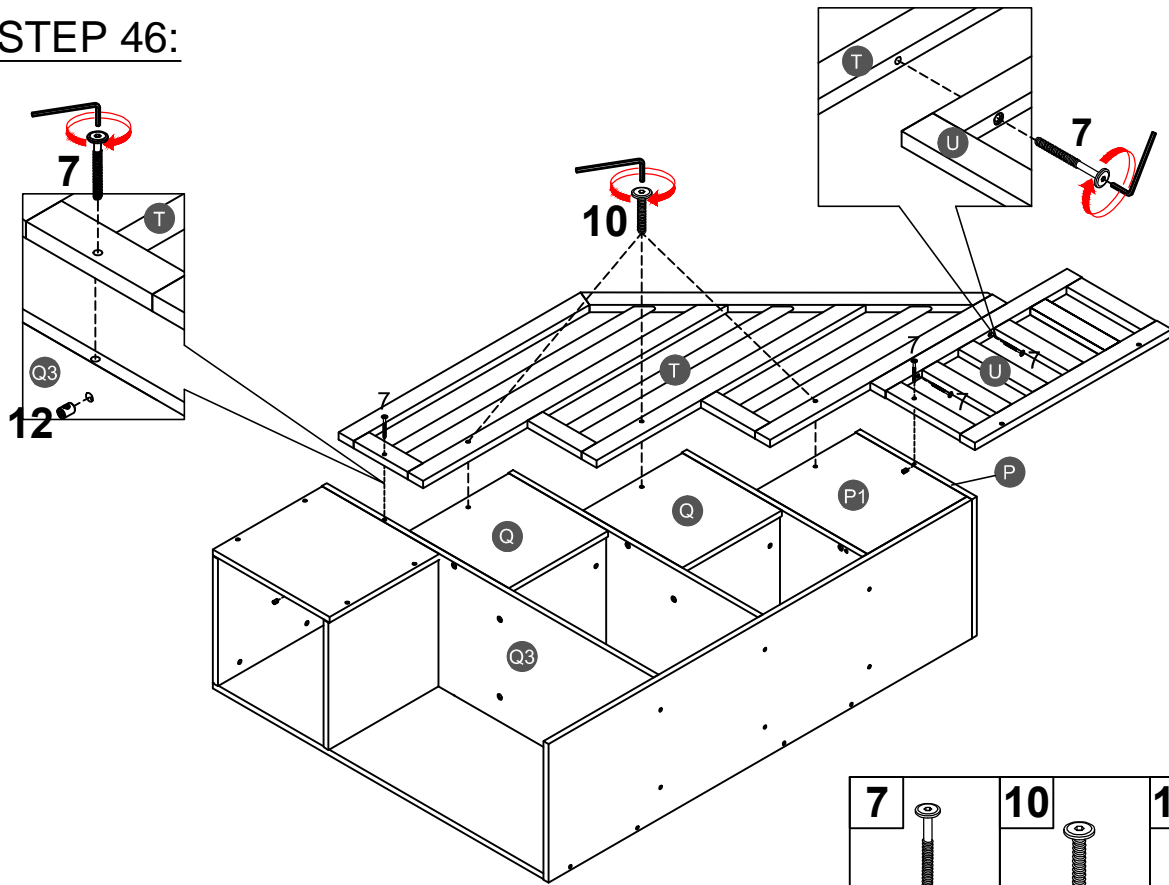





7 	16 
10PCS	2PCS

12 
10PCS

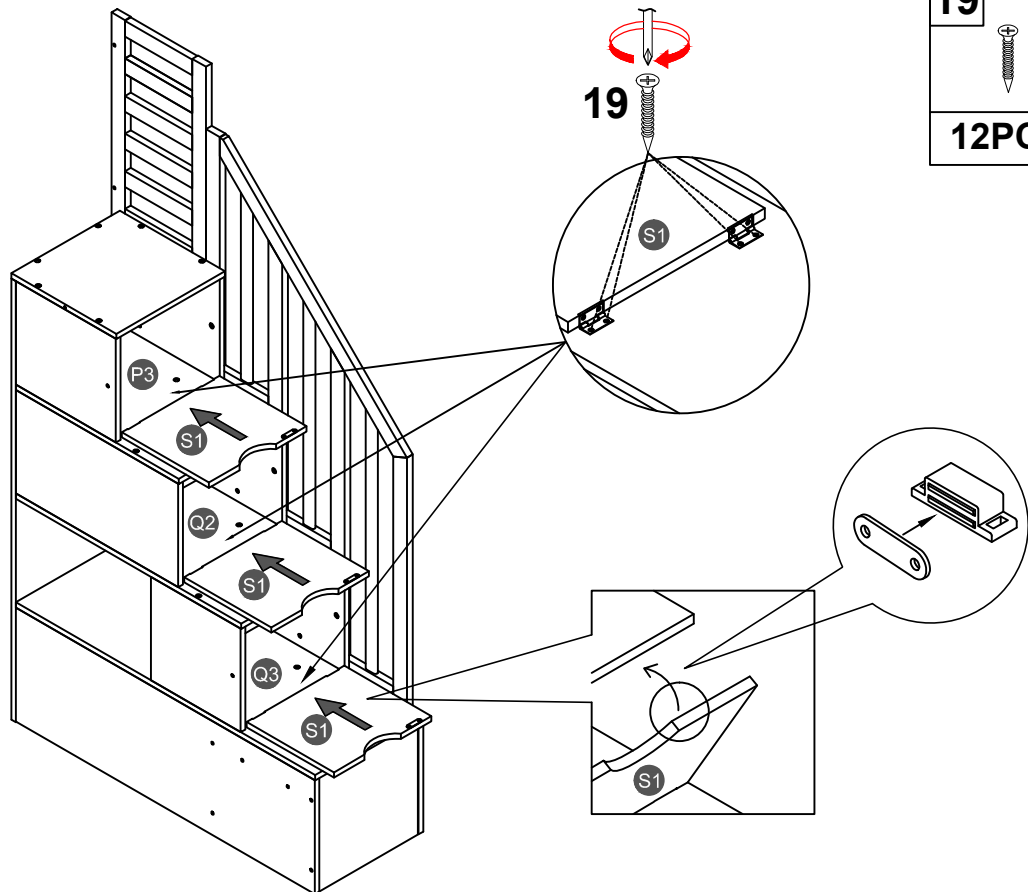



STEP 46:



7	10	12
		
4PCS	3PCS	2PCS

STEP 47:



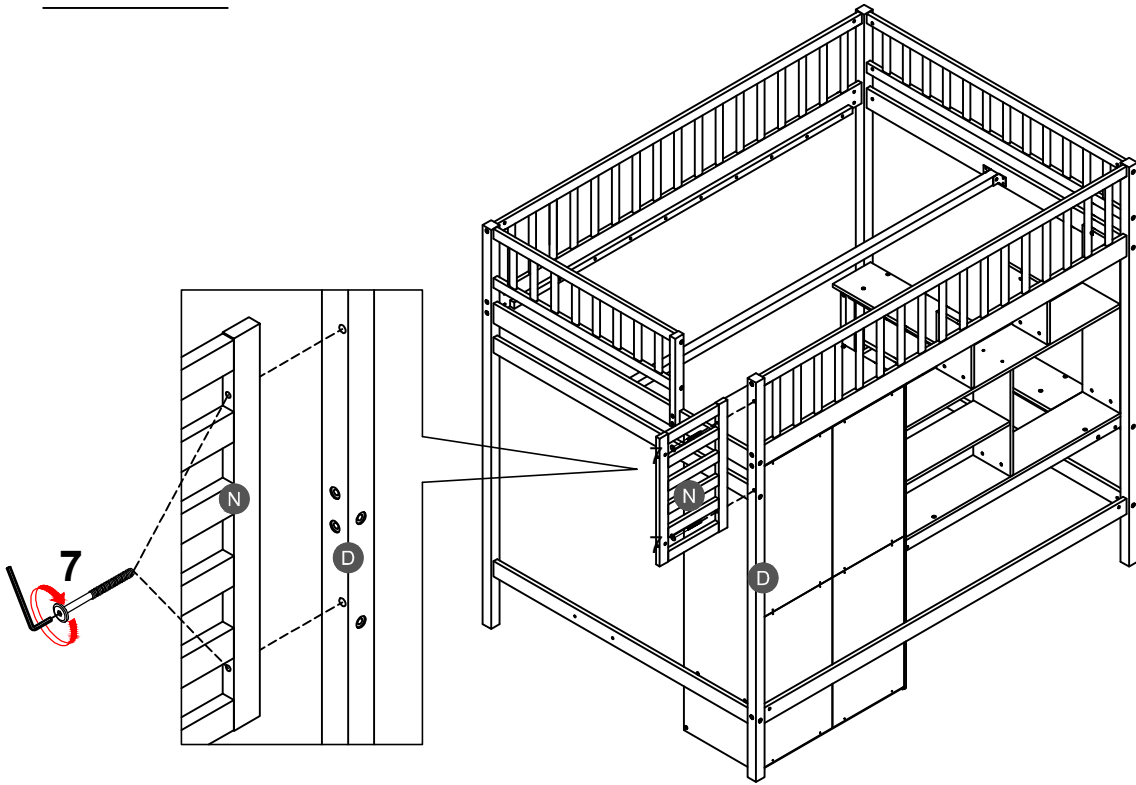
19

12PCS

STEP 48:

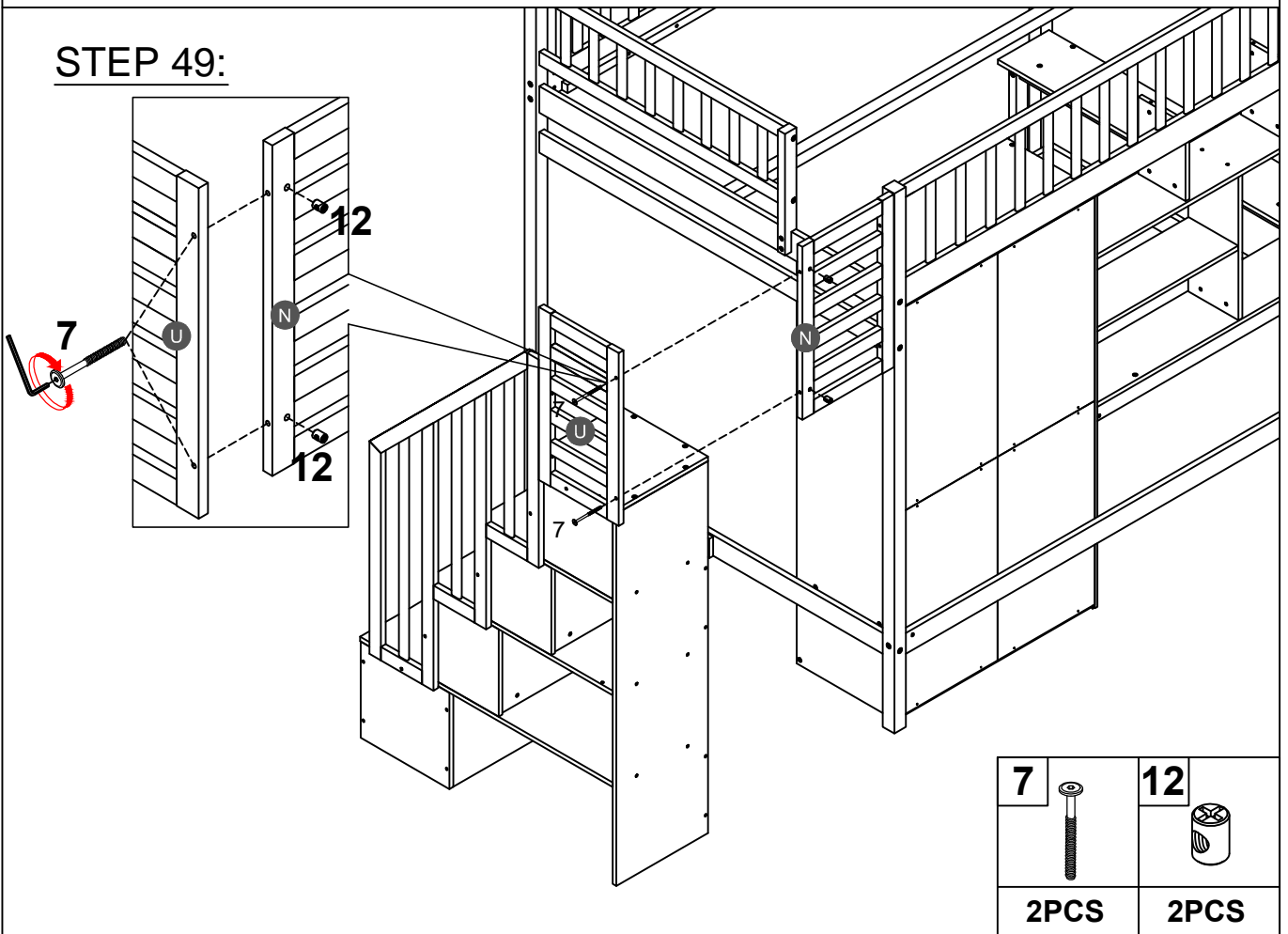
7



2PCS



STEP 49:



7



2PCS

12



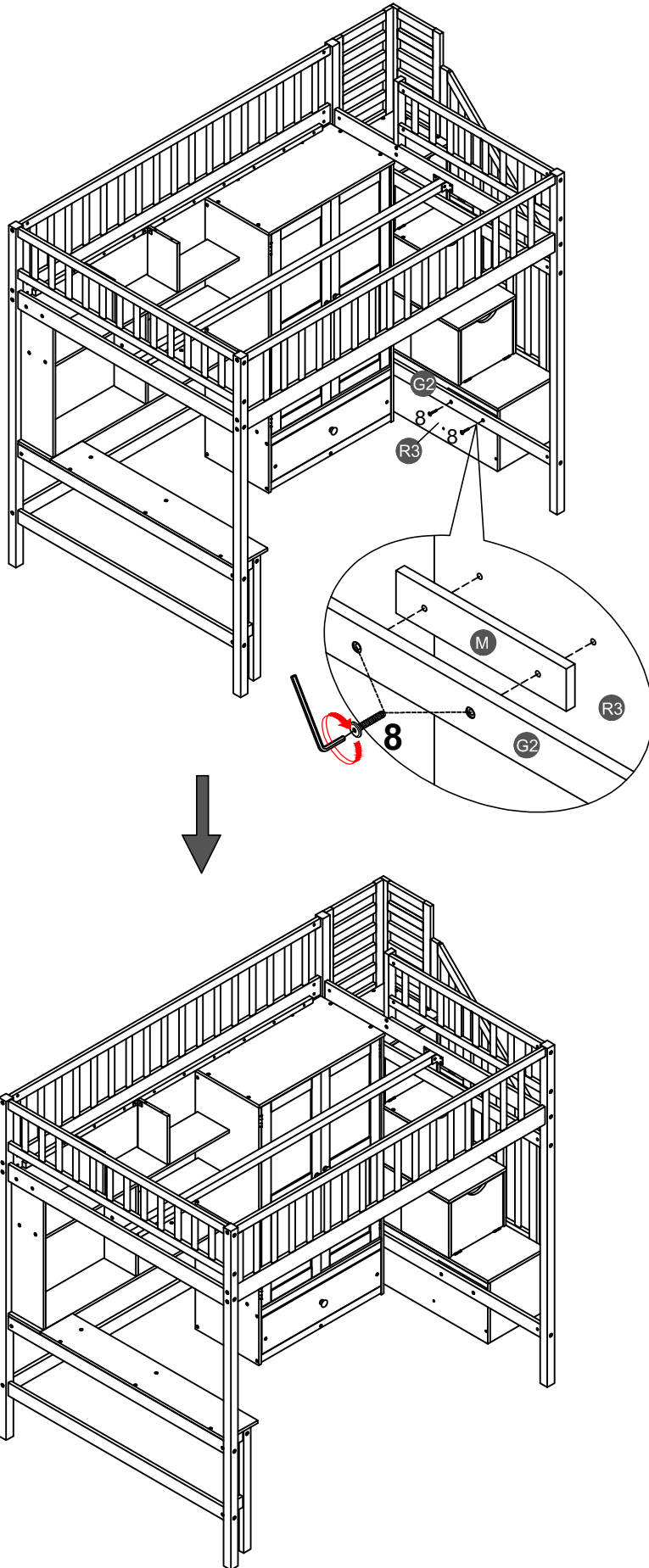
2PCS

STEP 50:

8

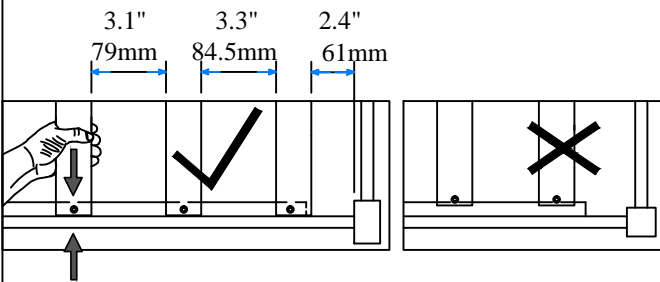
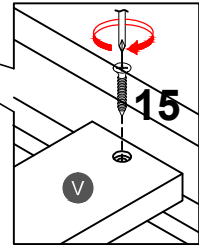
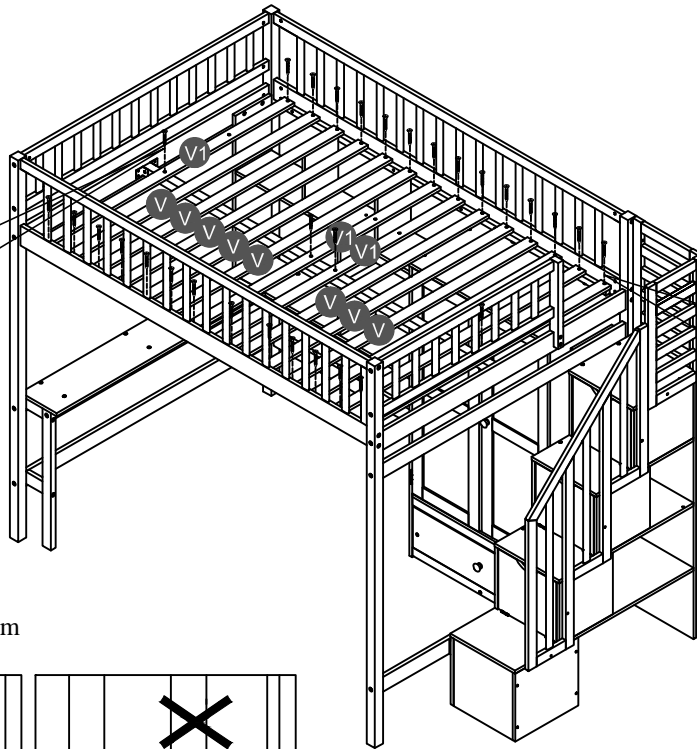
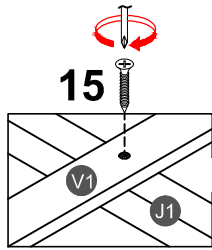


2PCS

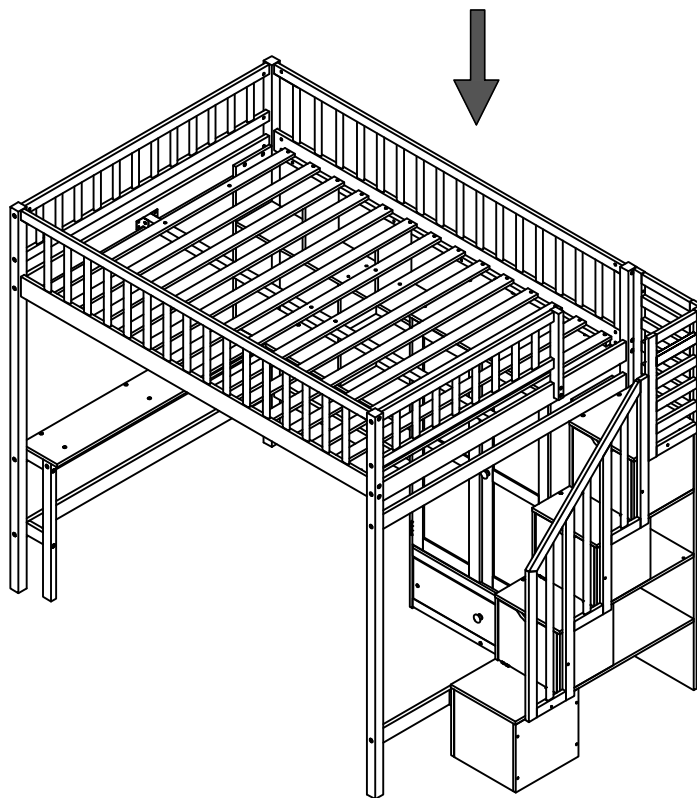


STEP 51:

15
32PCS



NOTE: Please make sure the bed slats close to the side rail before locking the screws to avoid breakage. This step is required for both the left and right sides. Moreover, please do not lock the screws of the bed slats at the outermost edge to avoid damaging.



Make sure to tighten all the screws of the bed.