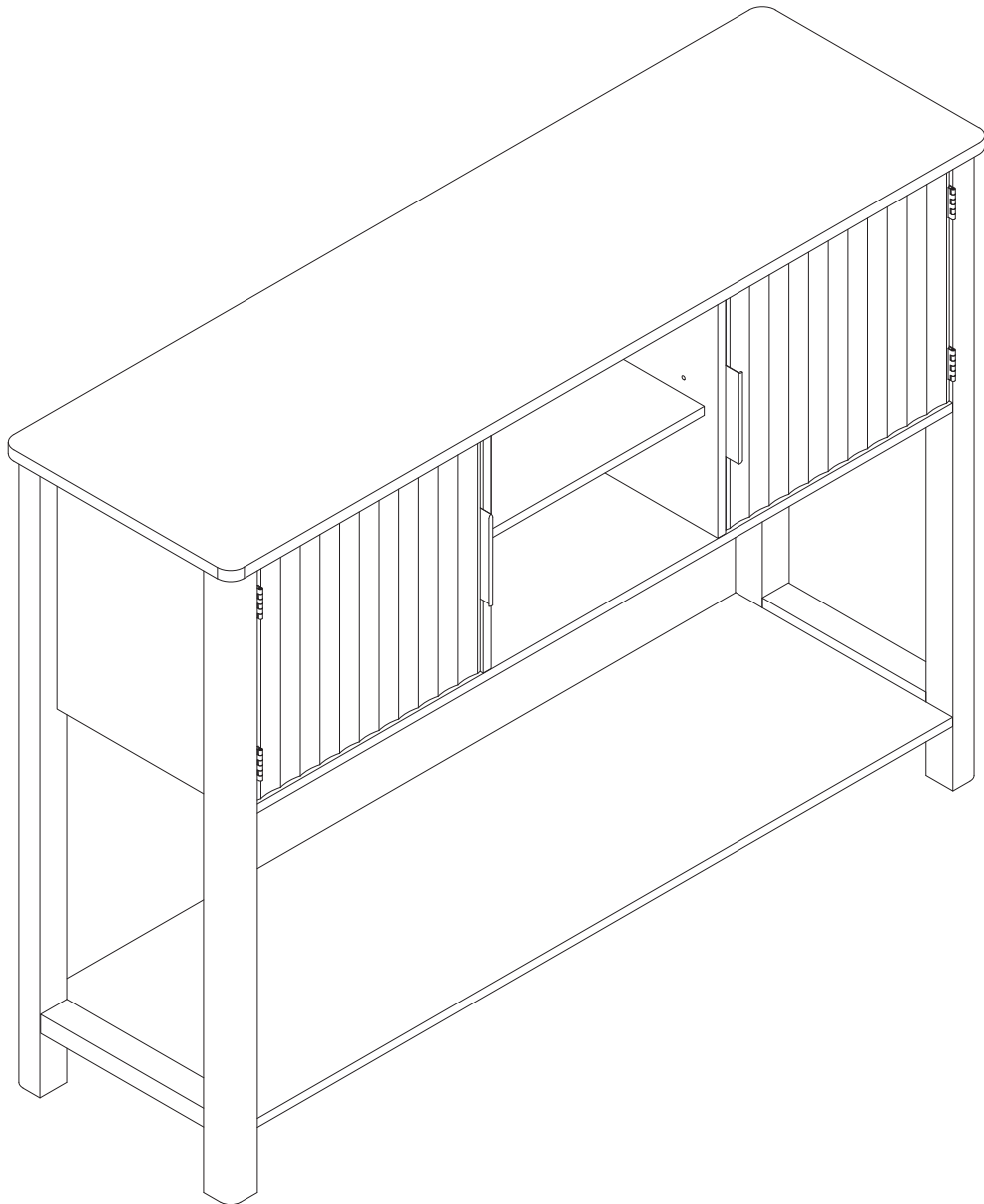


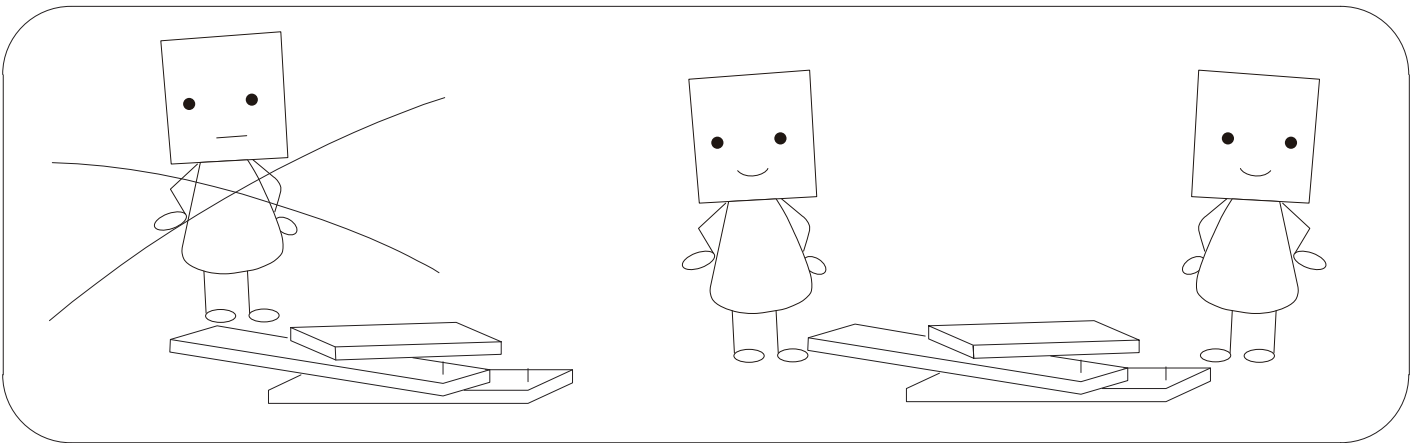
ASSEMBLY INSTRUCTION



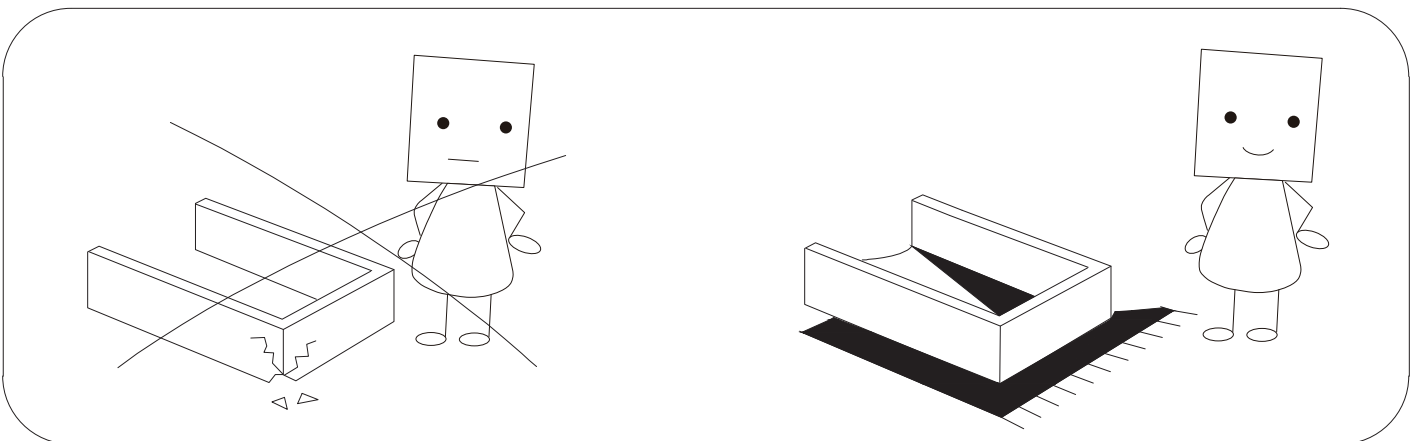


WARNING

Need Two Or More People To Complete

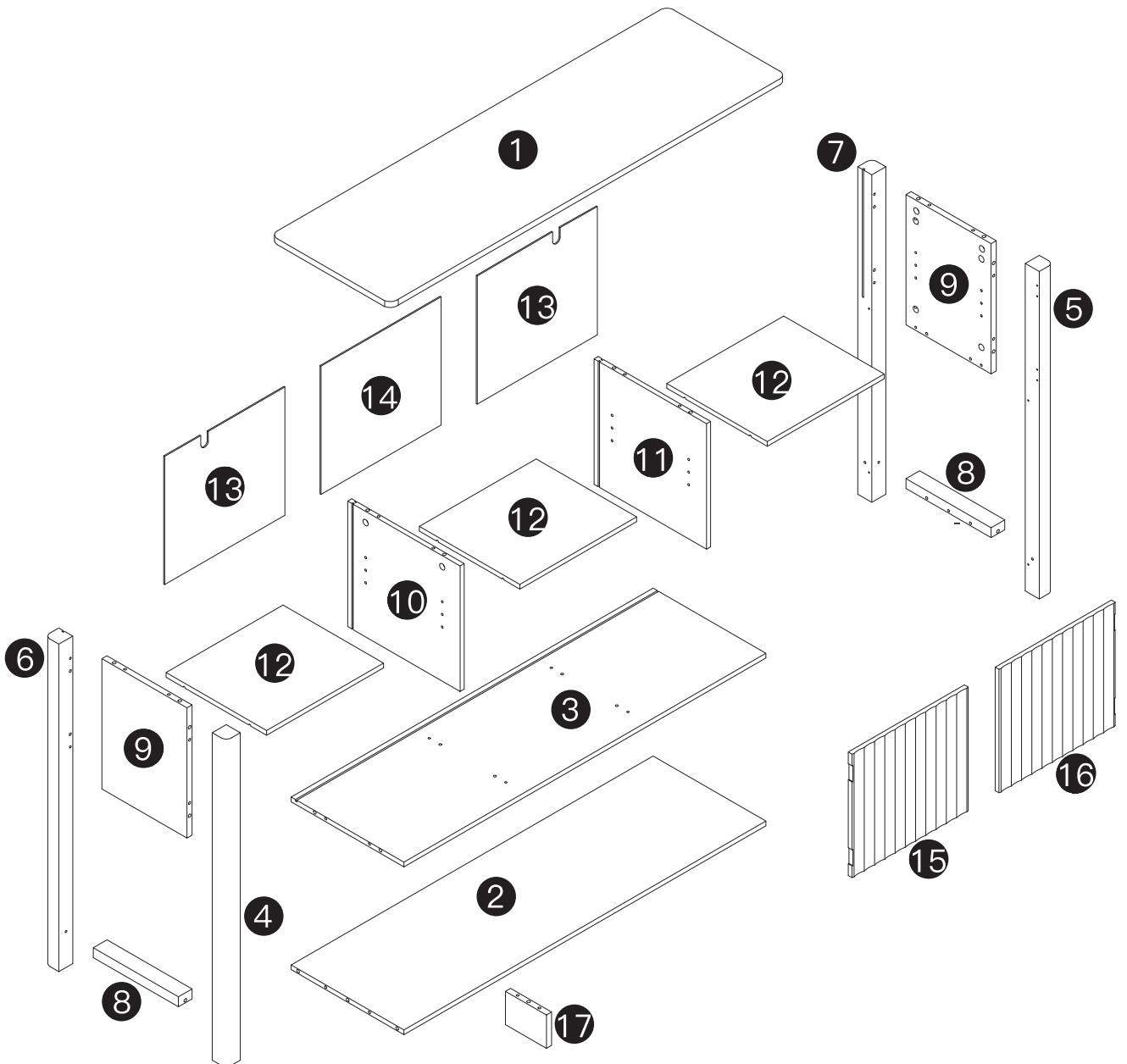


Assemble Item On a Clean Flat Surface



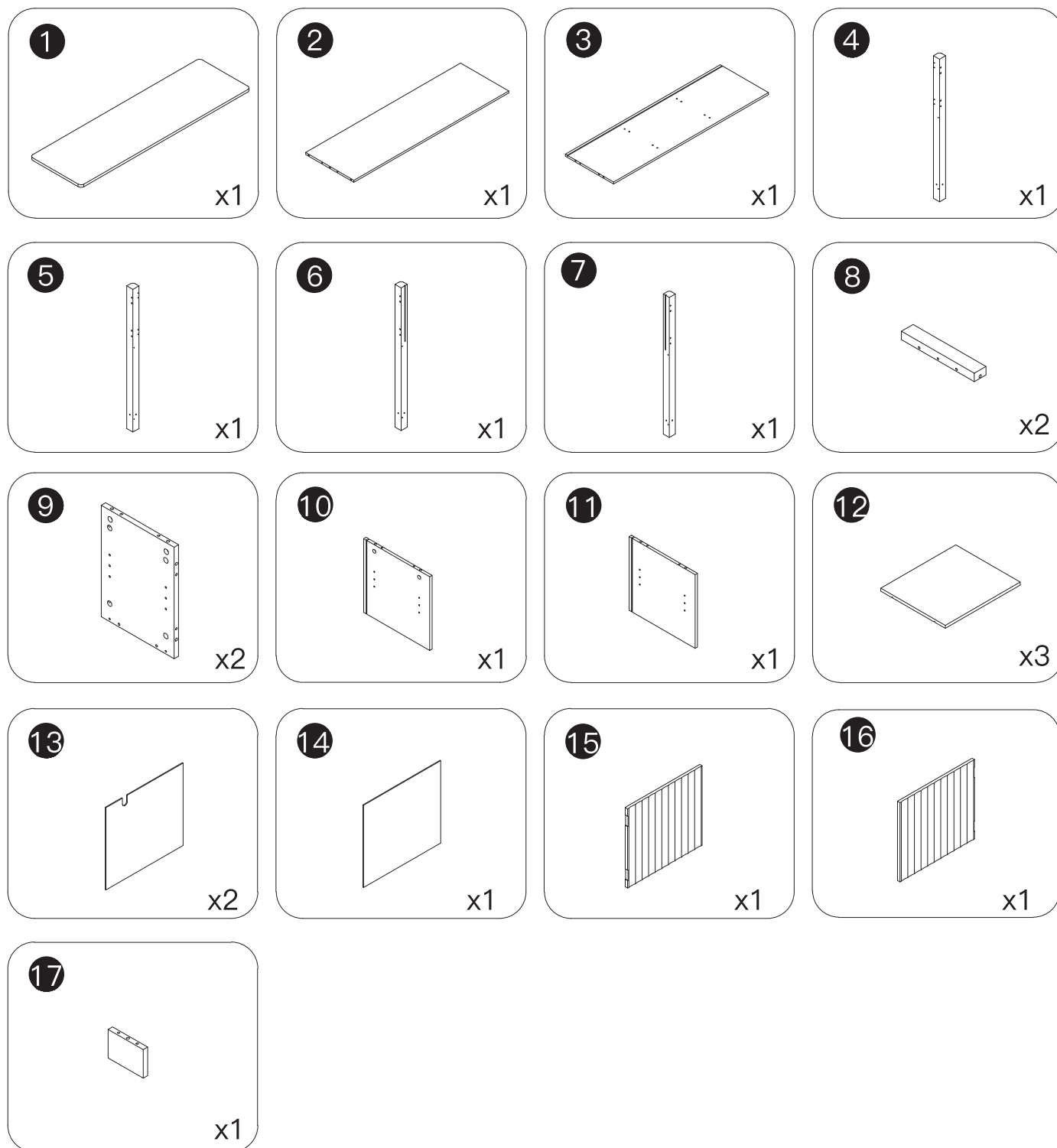
- Please check you have all hardware before assembling.
- Please ensure you have the name of the item and hardware part required and quantity.
- If you have any questions, please contact us by original purchase platform. we will reply you ASAP.
- For the safety of you and your family, it is necessary to install Anti-Tip Device Kit.

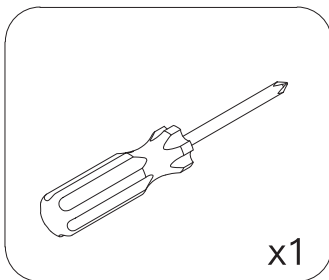
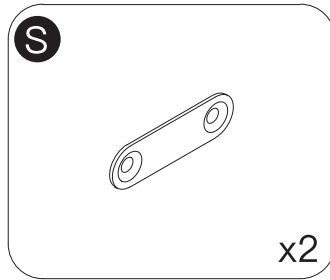
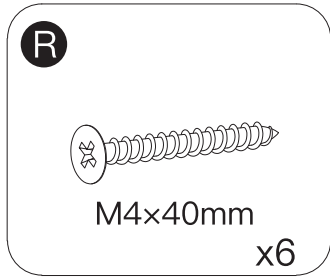
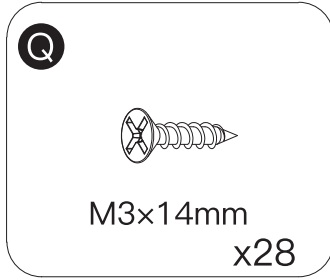
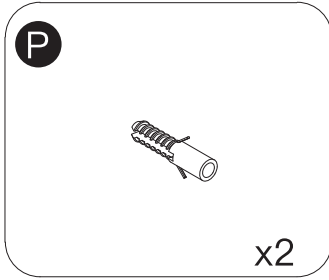
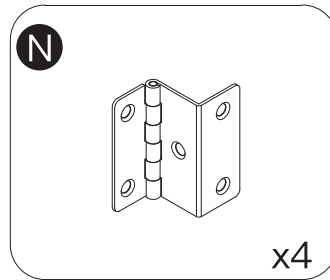
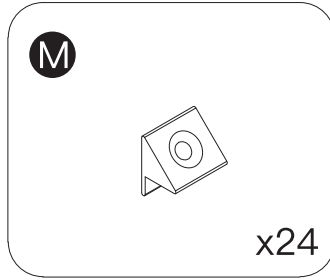
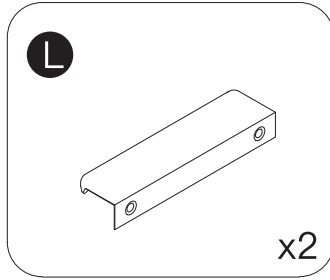
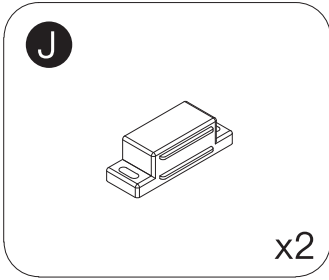
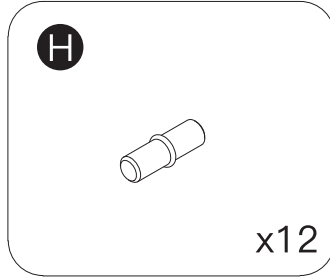
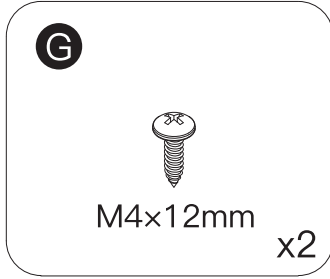
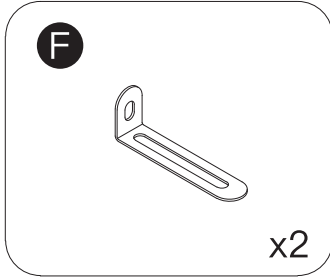
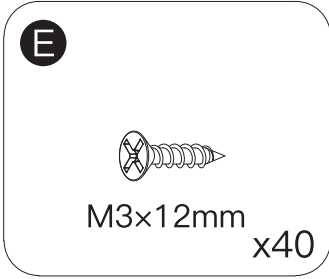
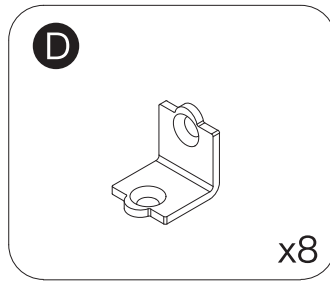
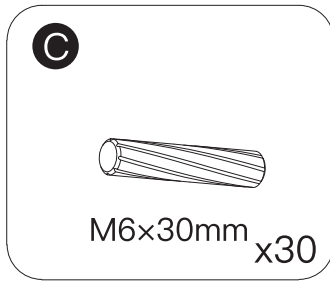
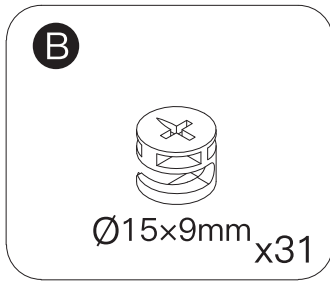
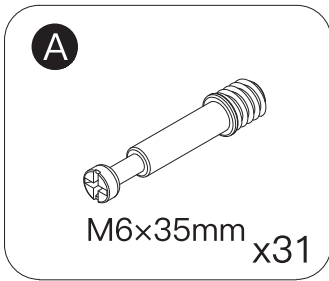
EXPLODED DRAWING:



Please check all parts and accessories according to the parts list before assembling, make sure all contents are sufficient and in good condition. If there is any parts missing or defective, please contact us with purchase platform message immediately to get replacement parts.

PARTS:



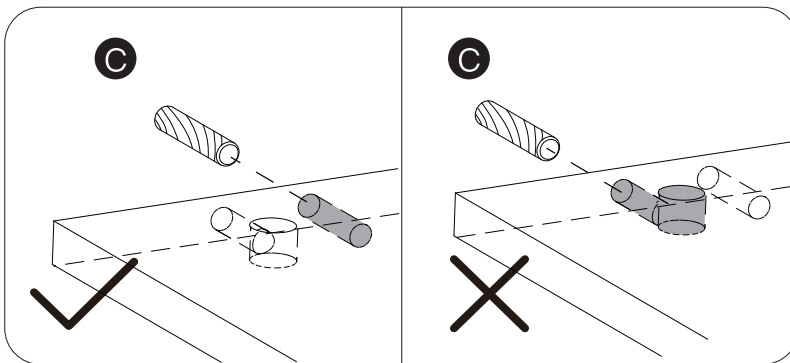


HOW TO INSTALL

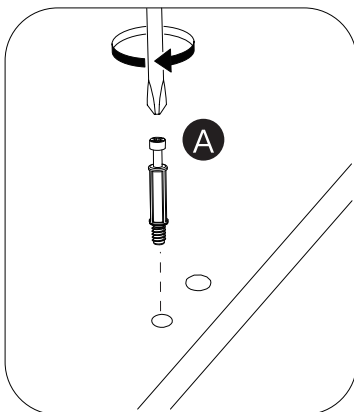
NOTICE:

1. Use electric drill for easier installation experience.
2. Please drive the screws in pre-drilled holes.
3. Please strictly follow the instruction and diagram in every step.
4. Make sure every part is on the right position, otherwise it may cause unnecessary problem.
5. Select the proper component via the label on every part while assembling.

REMARK:



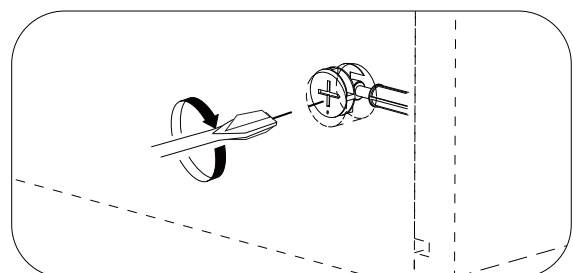
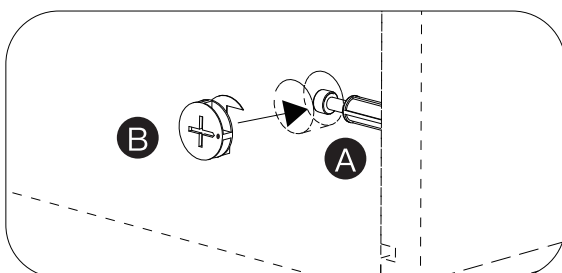
Avoid inserting part C into wrong holes.



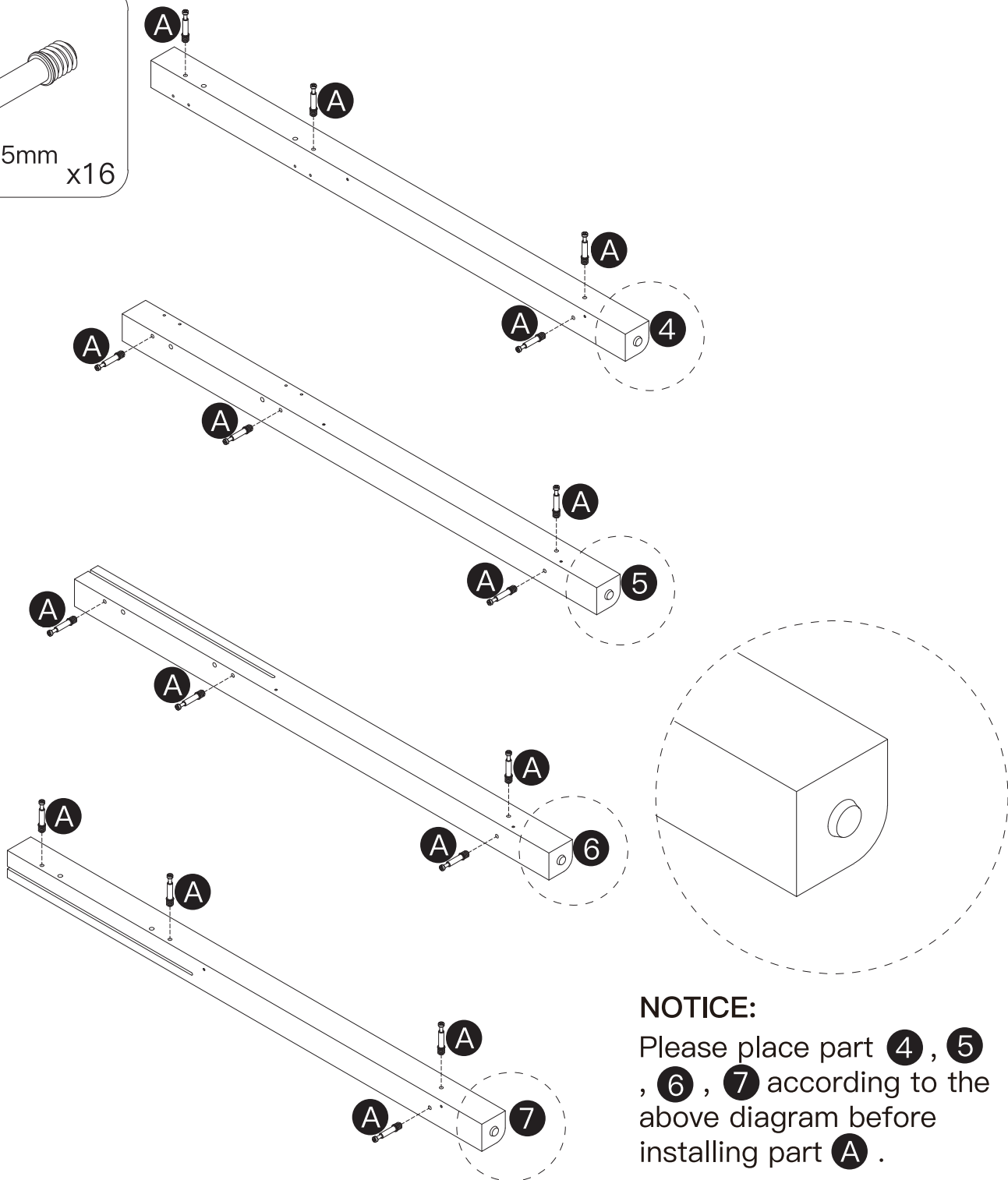
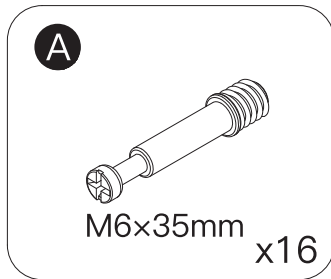
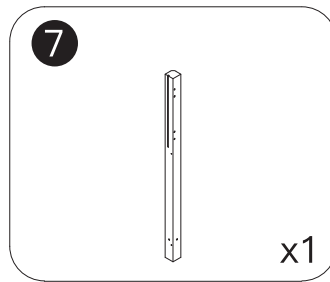
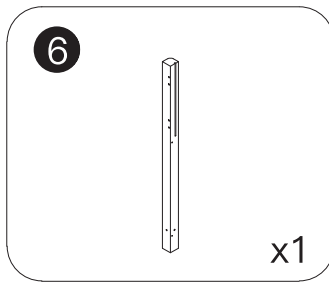
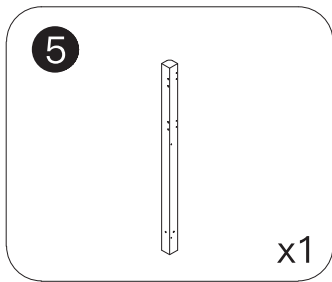
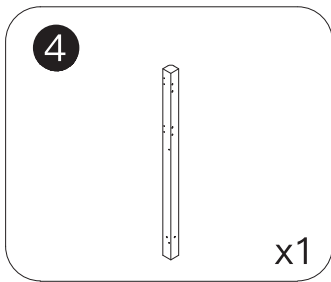
Part A must be installed into the holes with rubber nuts which are smaller than others.

Please ensure that part A is facing the direction of the gap of part B .

When locking part B, please make sure part A is fully inserted.



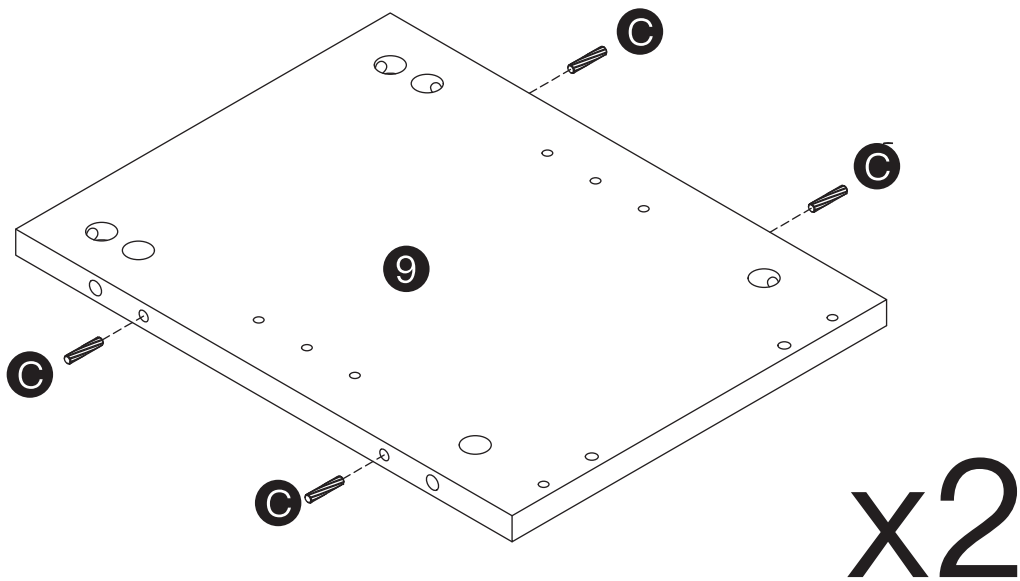
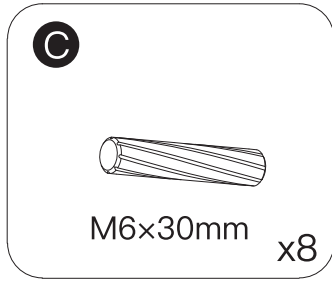
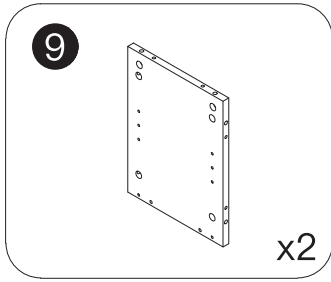
STEP 1



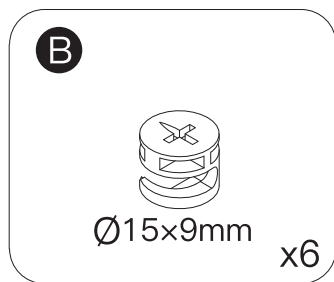
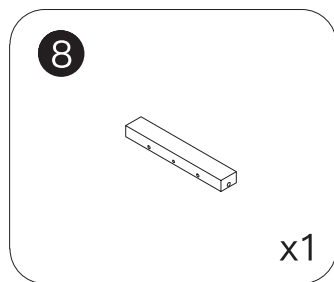
NOTICE:

Please place part 4, 5, 6, 7 according to the above diagram before installing part A.

STEP 2

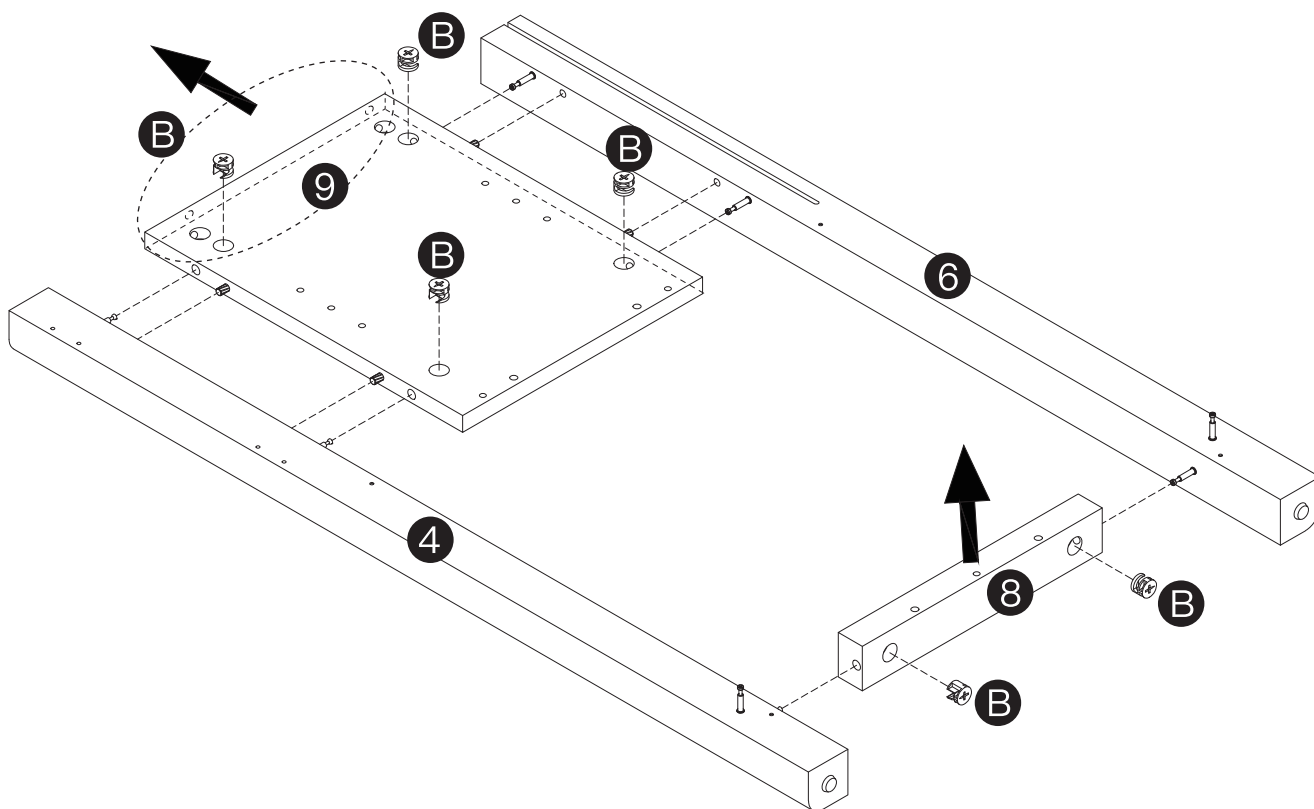


STEP 3



NOTICE:

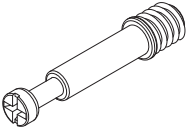
(1) Please ensure the specific side of part 9 is facing outwards.



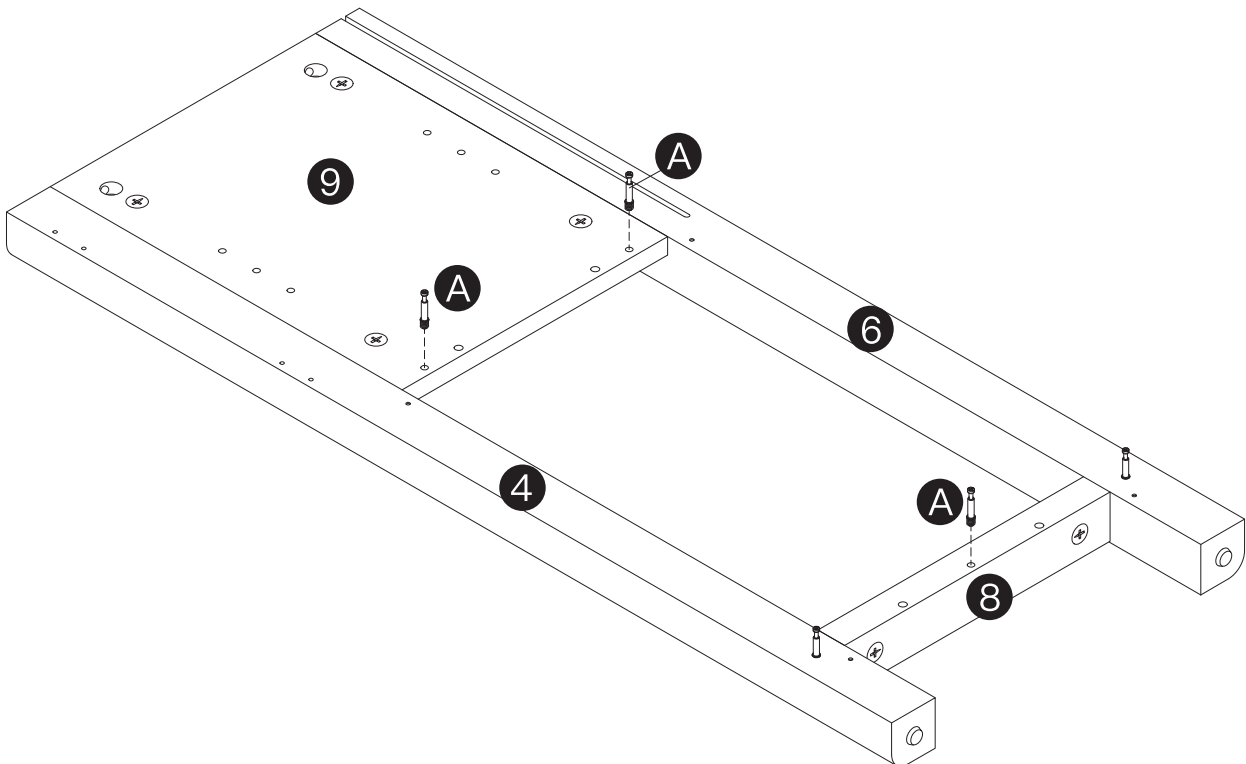
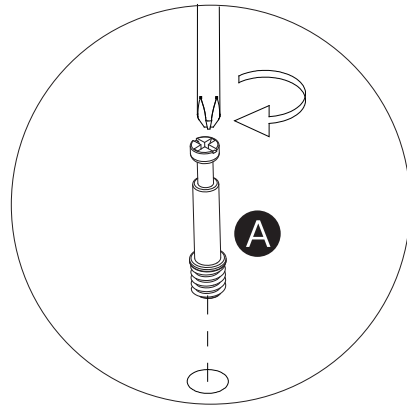
(2) Ensure the side with 3 holes of part 8 is facing upwards.

STEP 4

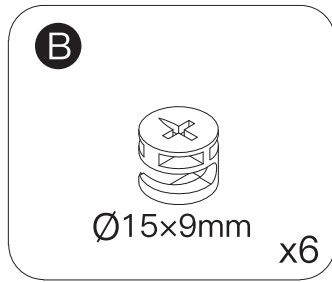
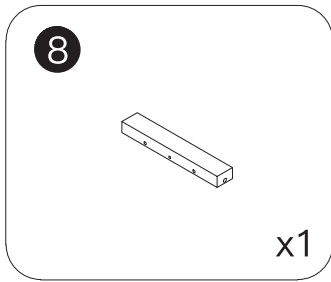
A



M6x35mm x3

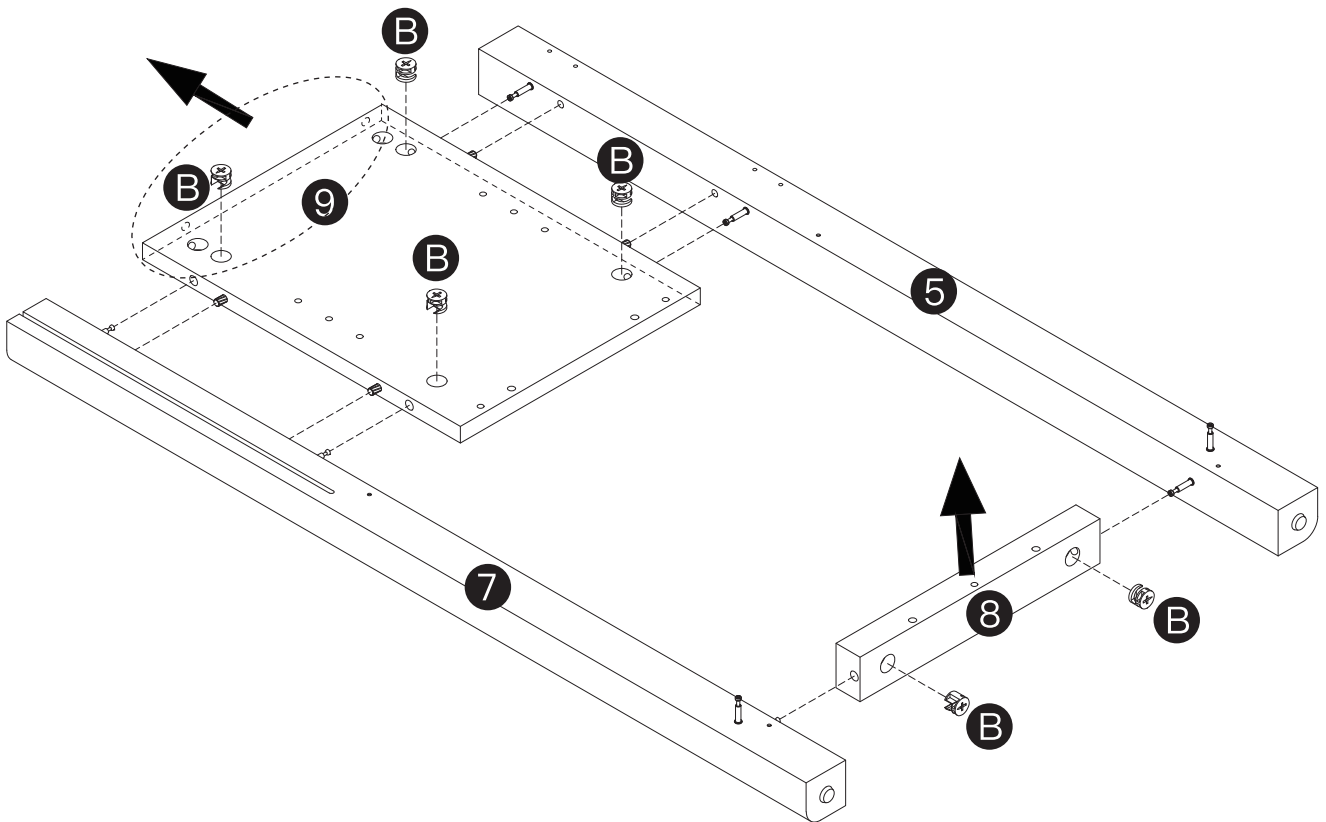


STEP 5



NOTICE:

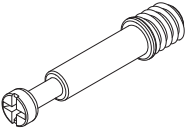
(1) Please ensure the specific side of part 9 is facing outwards.



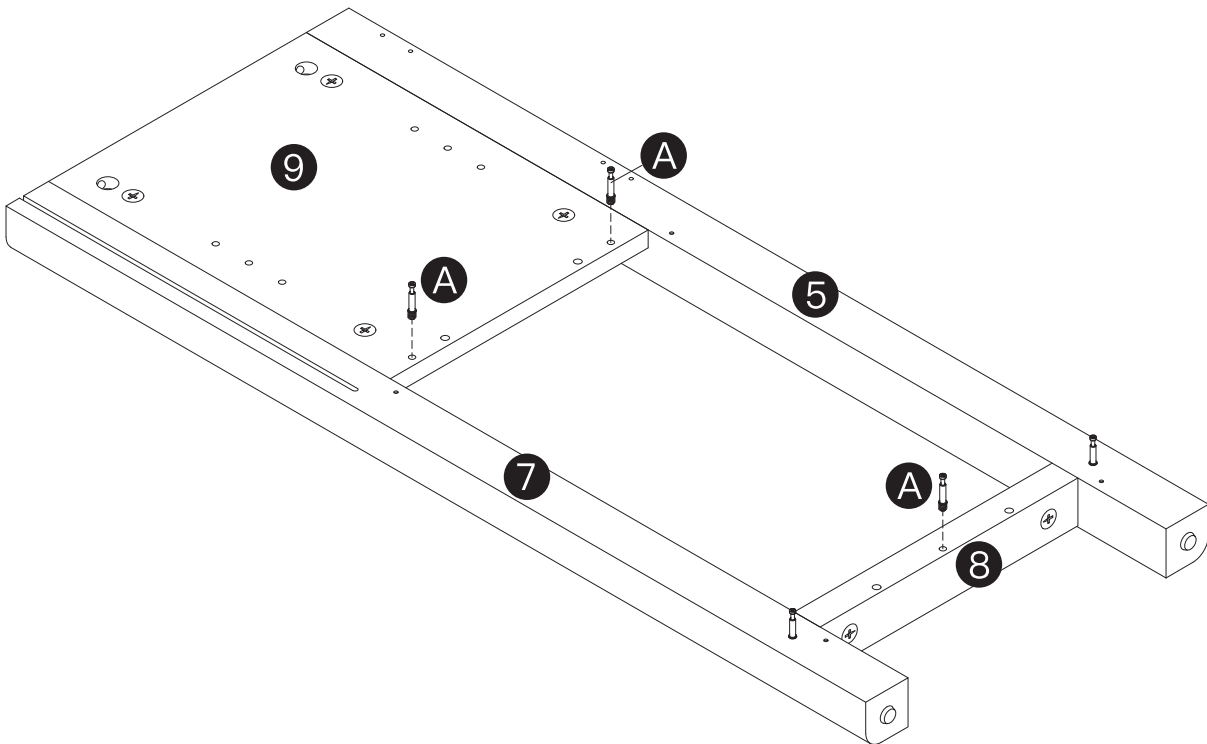
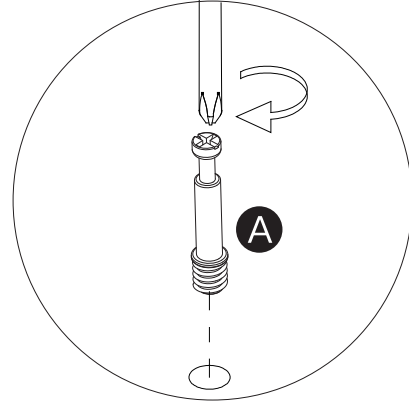
(2) Ensure the side with 3 holes of part 8 is facing upwards.

STEP 6

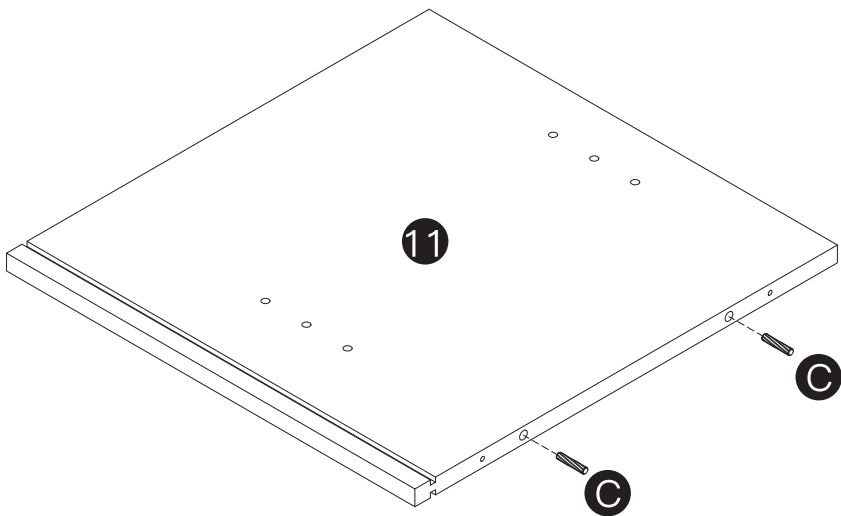
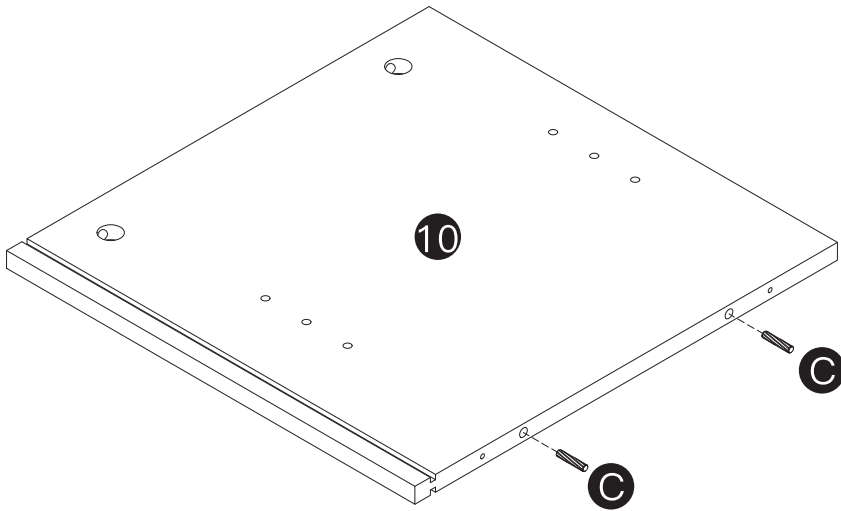
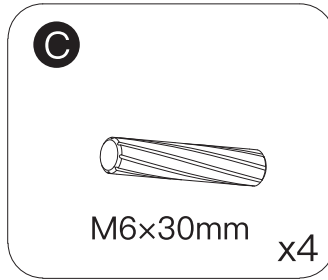
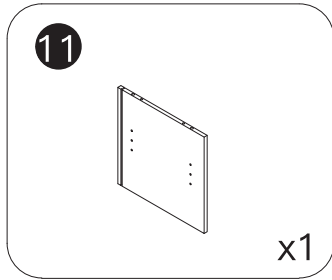
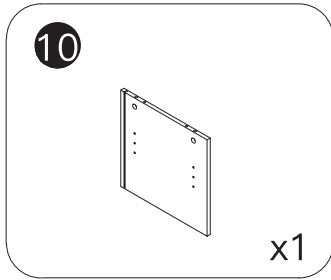
A



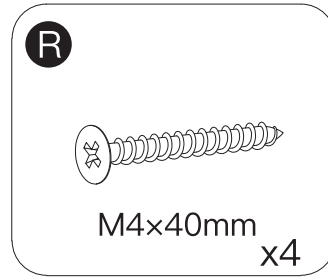
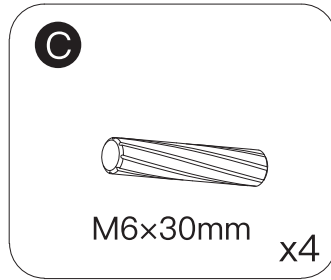
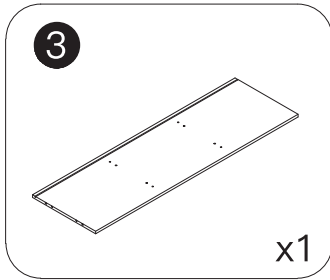
M6x35mm x3



STEP 7



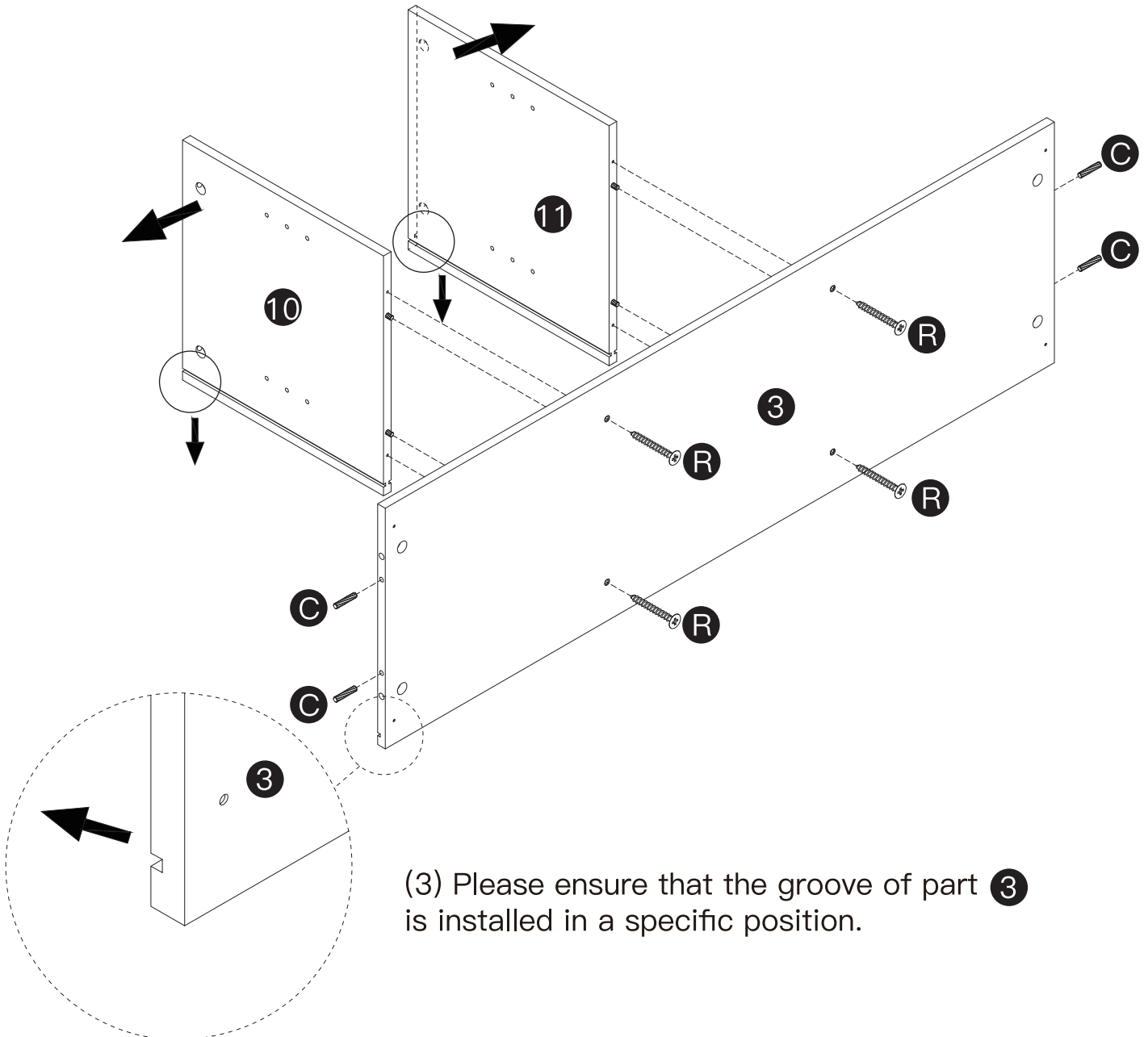
STEP 8



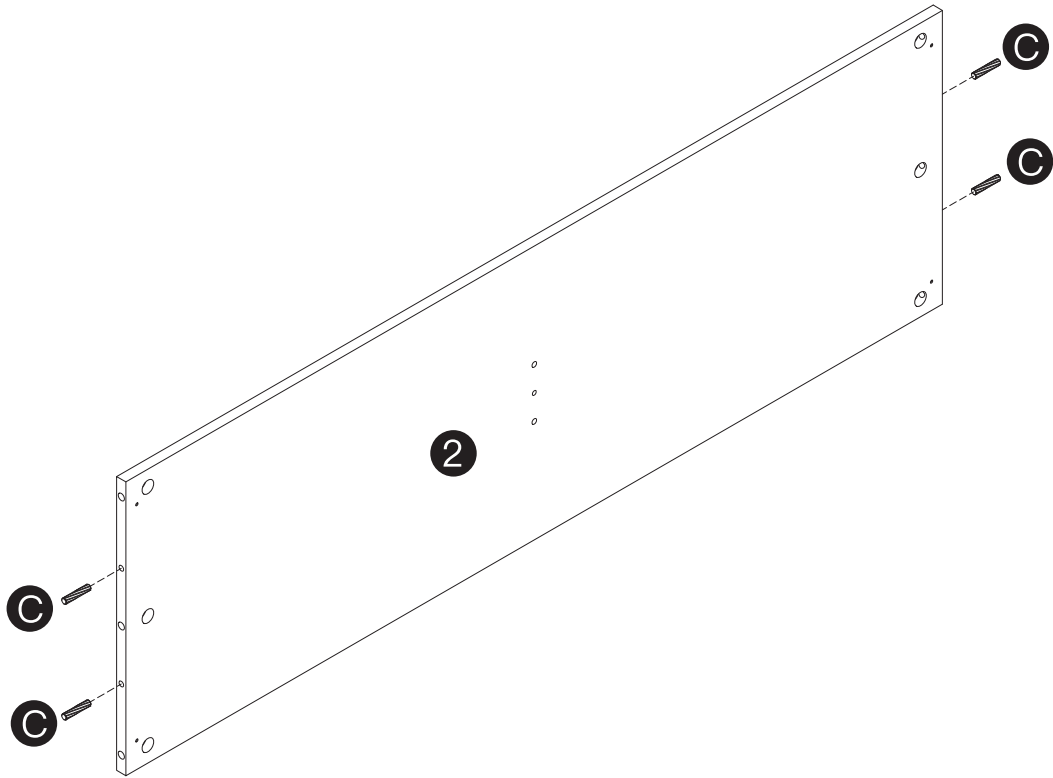
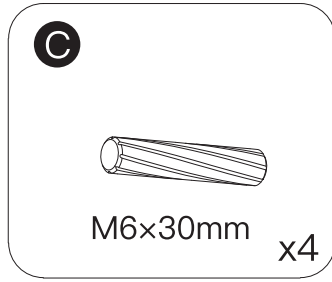
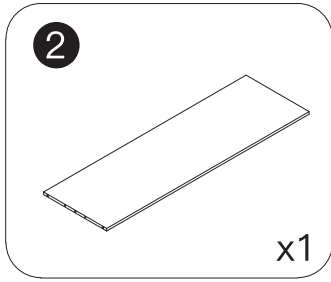
NOTICE:

(1) Please ensure that the grooves of part 10 & 11 are installed below.

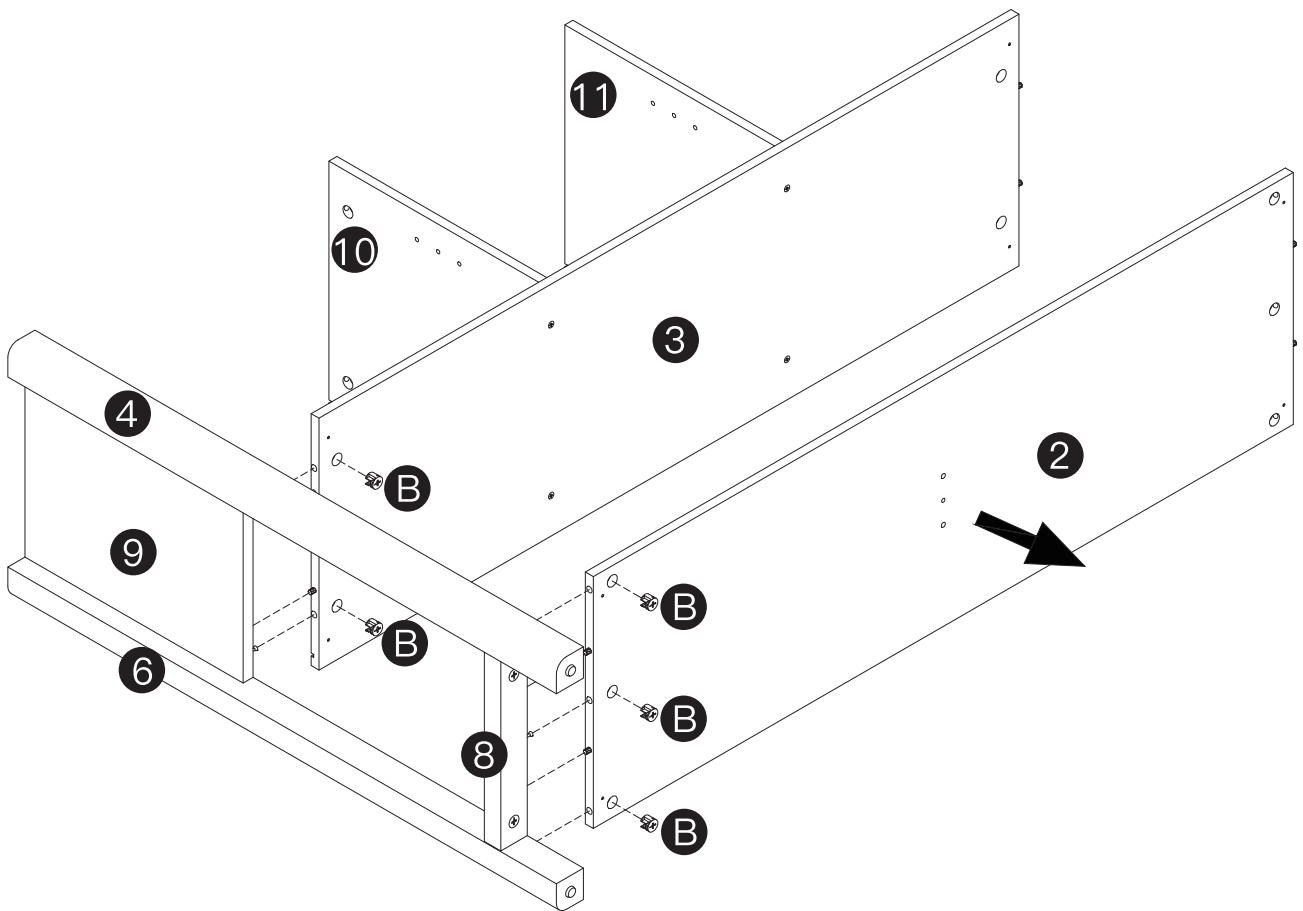
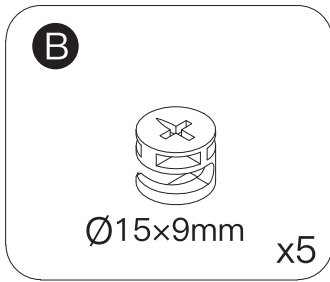
(2) Please ensure that the specific side of part 10 & 11 is opposite.



STEP 9



STEP 10



NOTICE:

Please ensure that the specific side of part **2** faces outward.

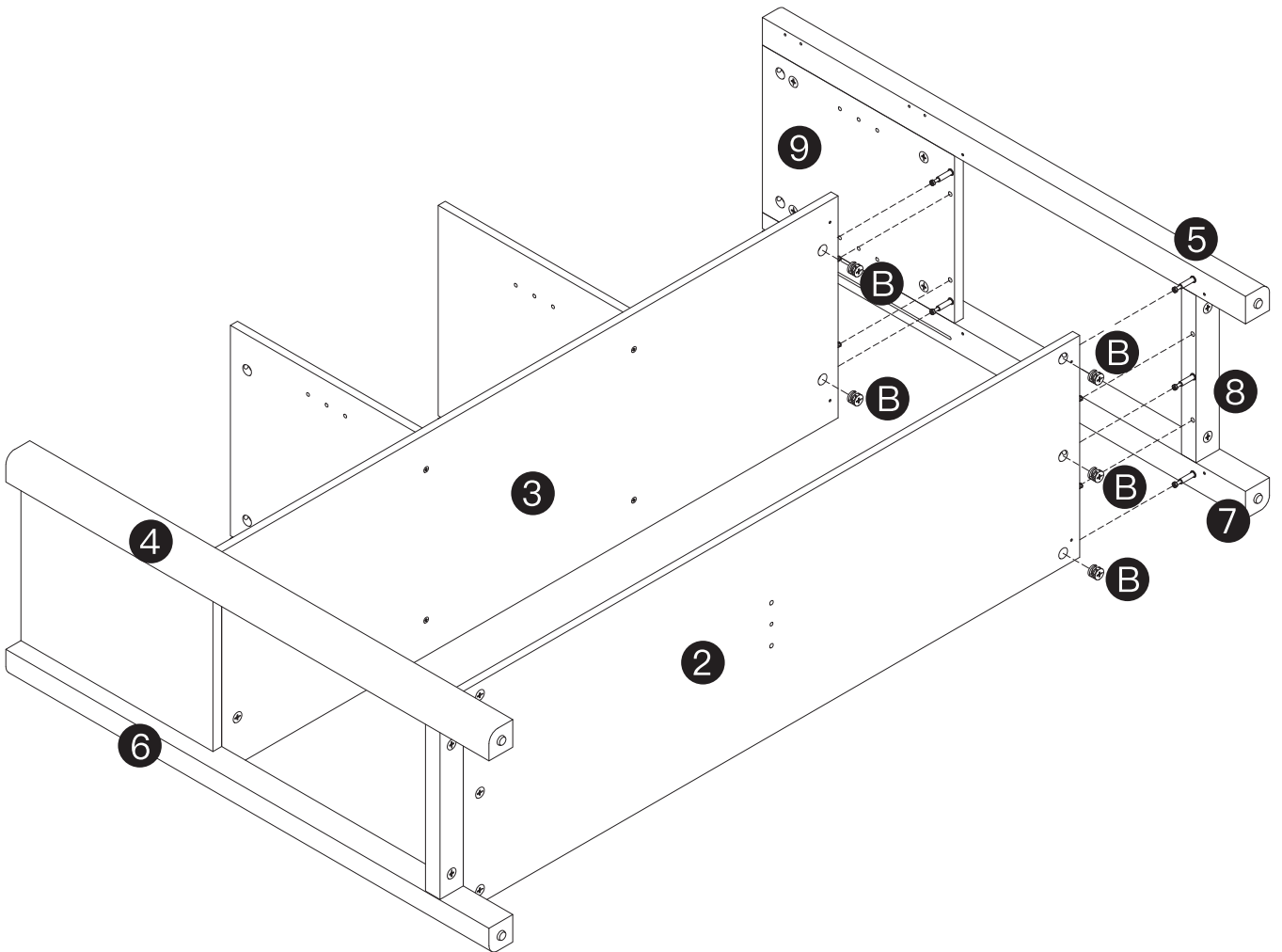
STEP 11

B



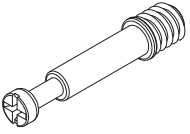
Ø15x9mm

x5



STEP 12

A

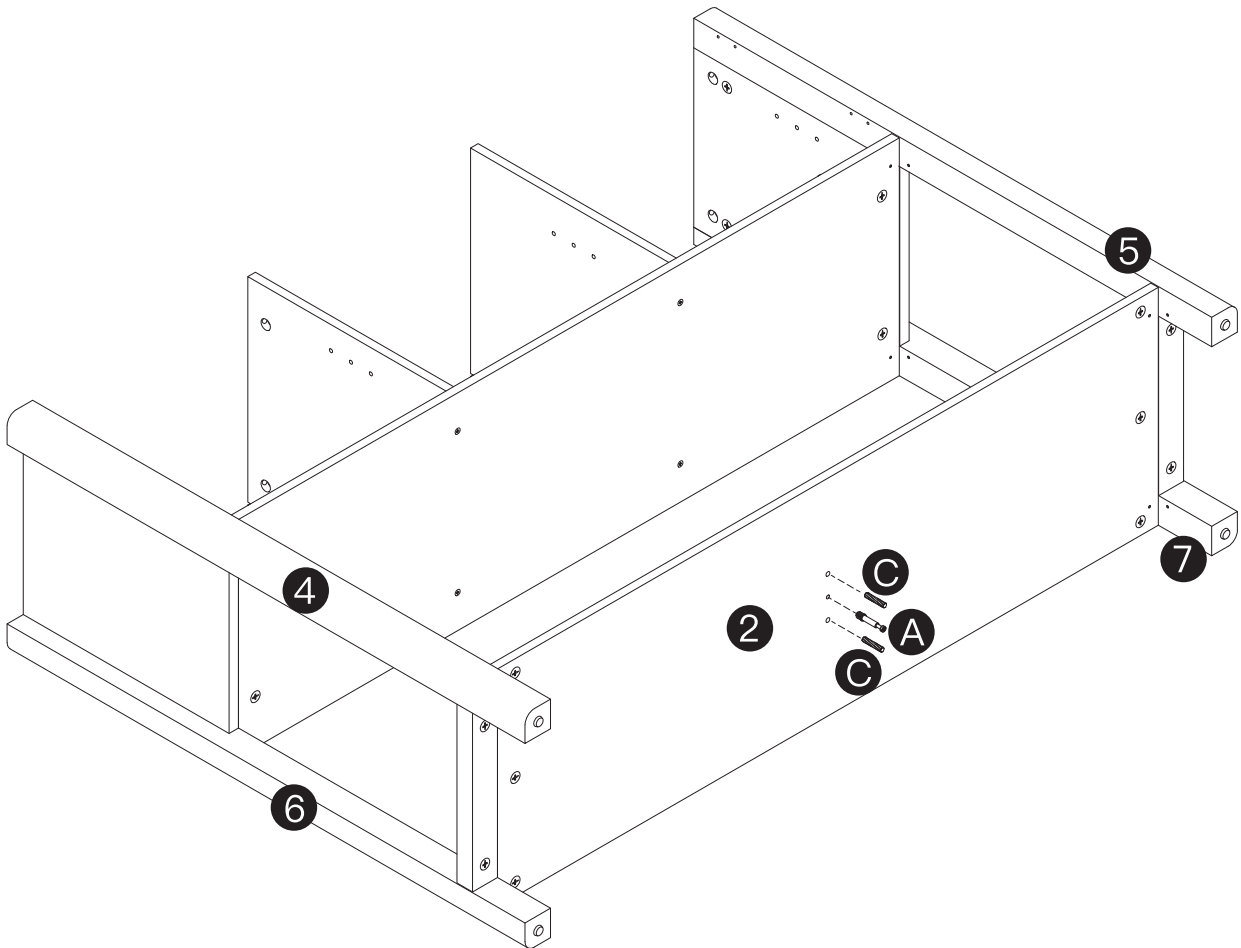


M6x35mm x1

C



M6x30mm x2



STEP 13

17



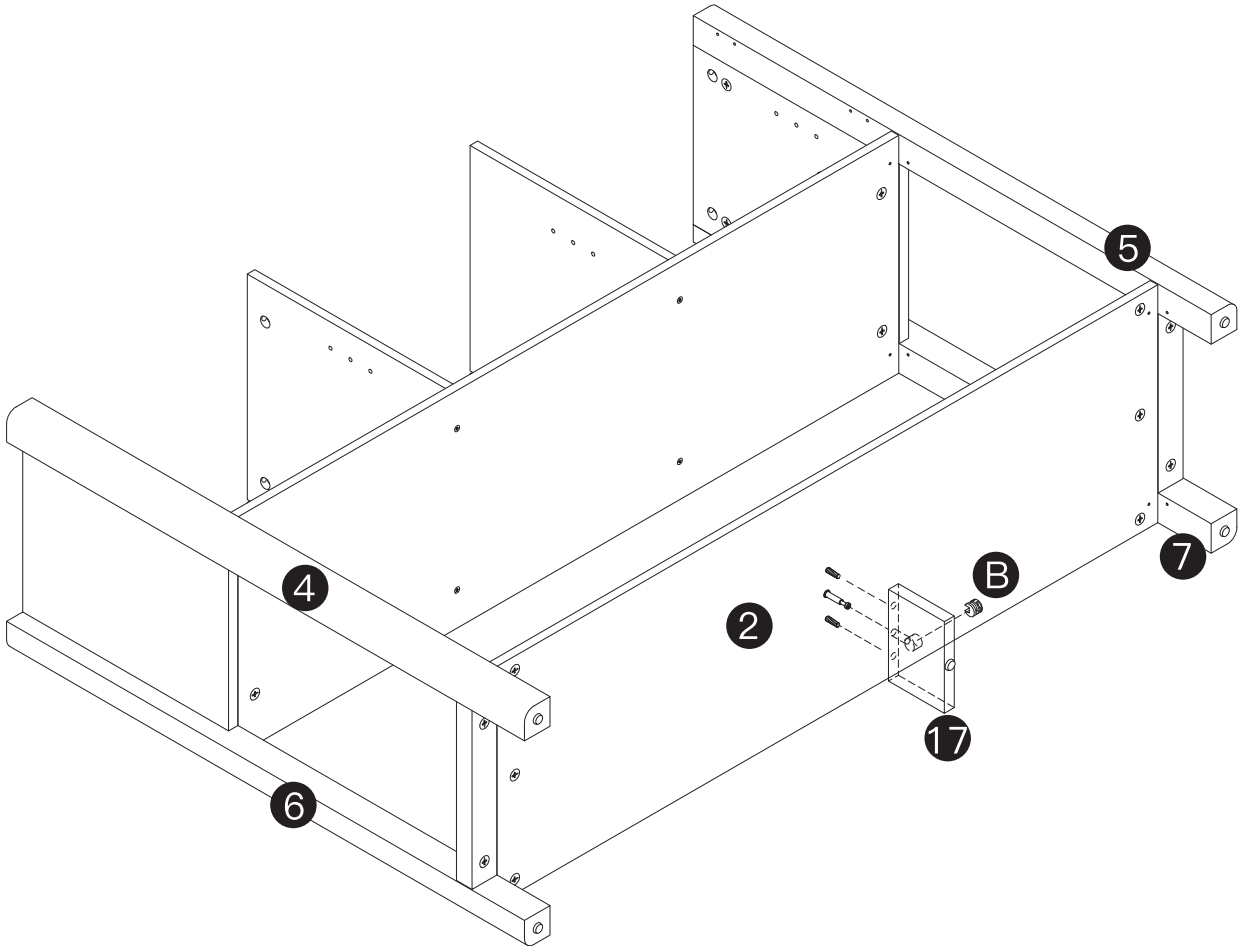
x1

B

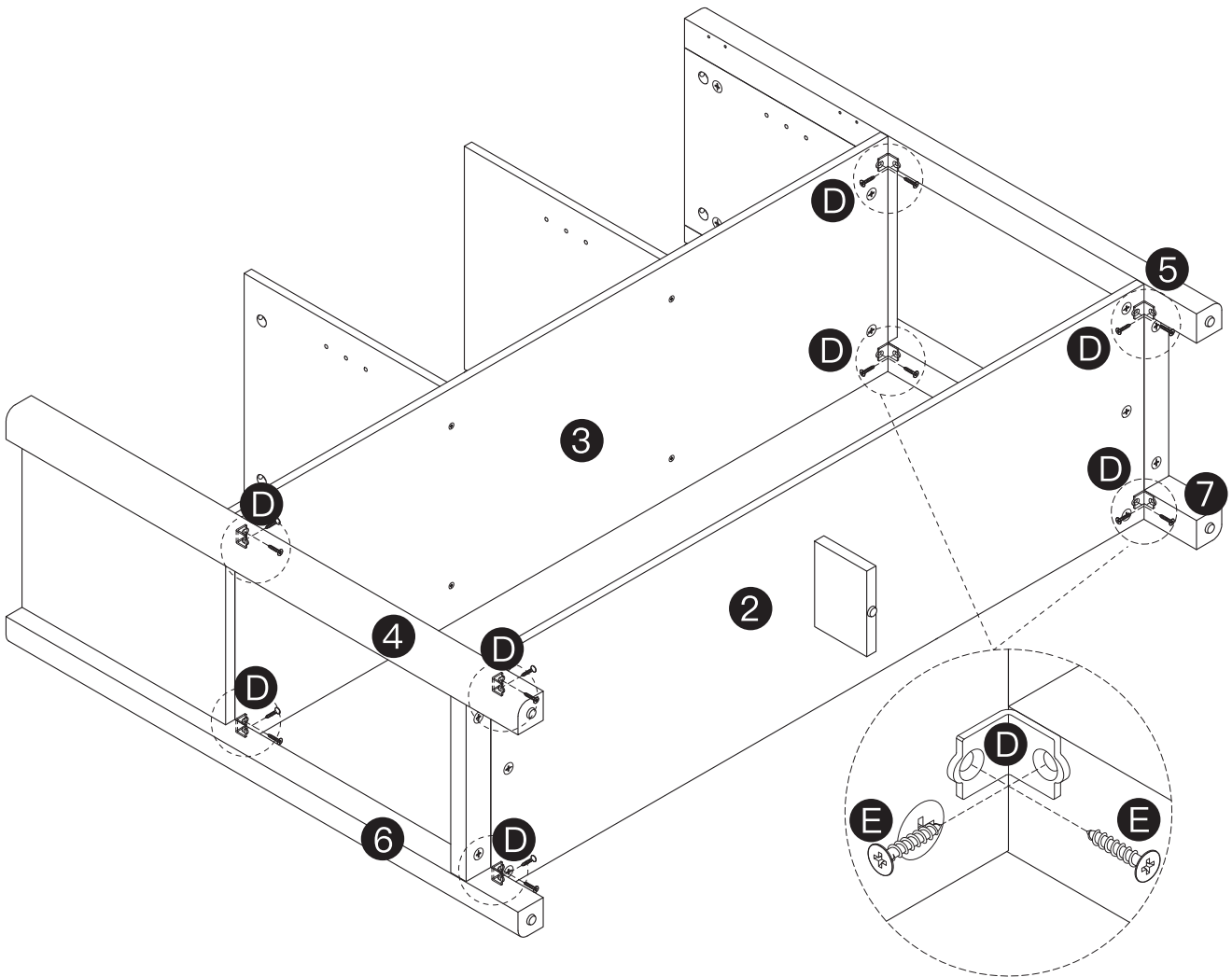
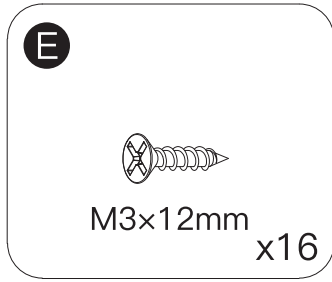
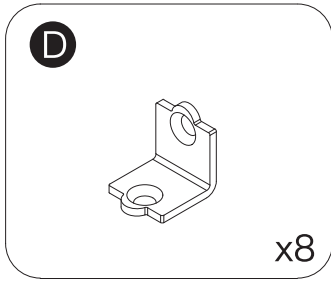


Ø15x9mm

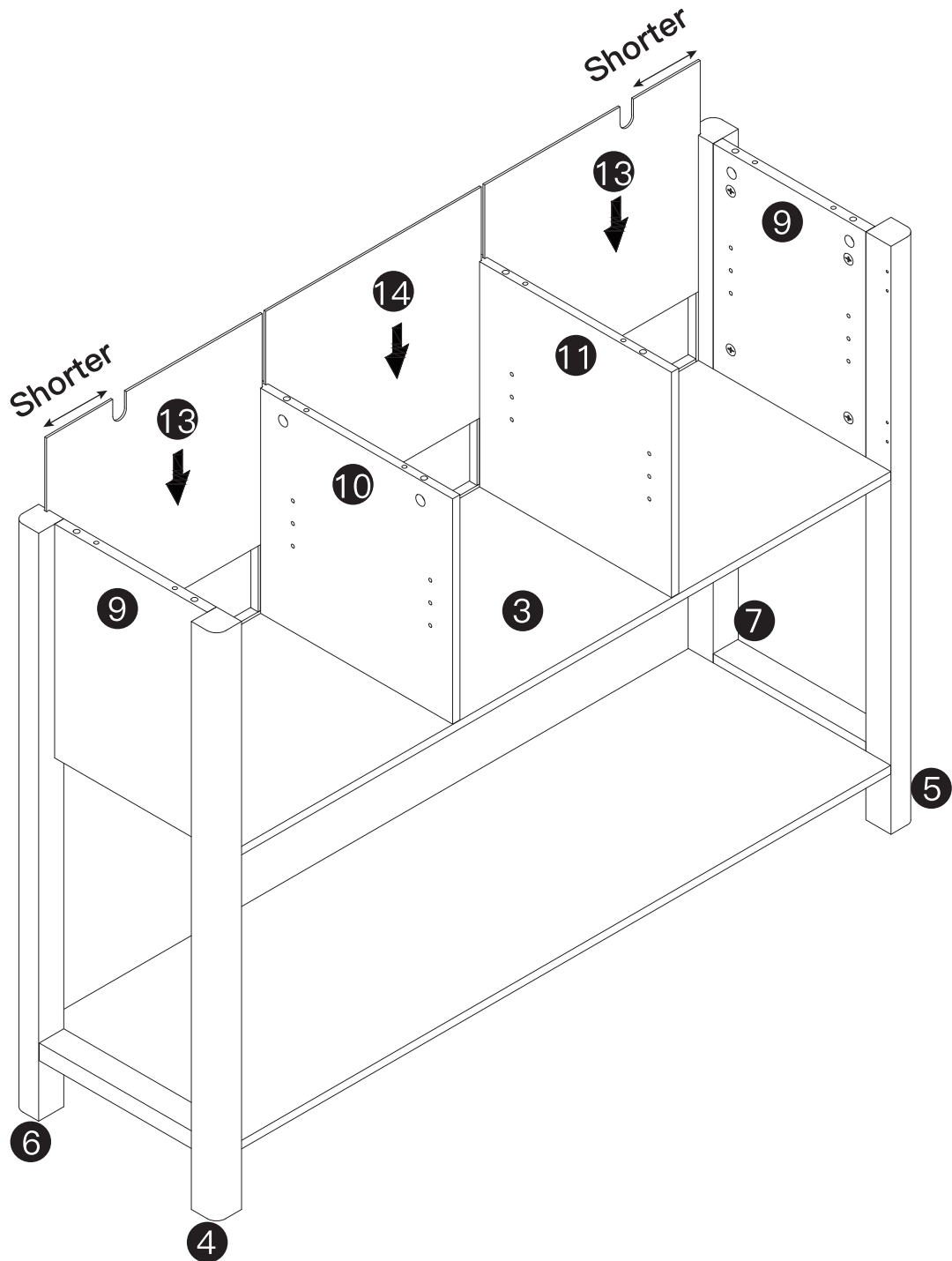
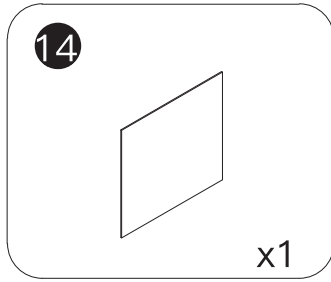
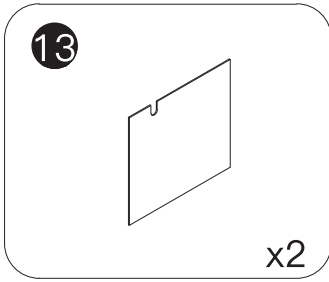
x1



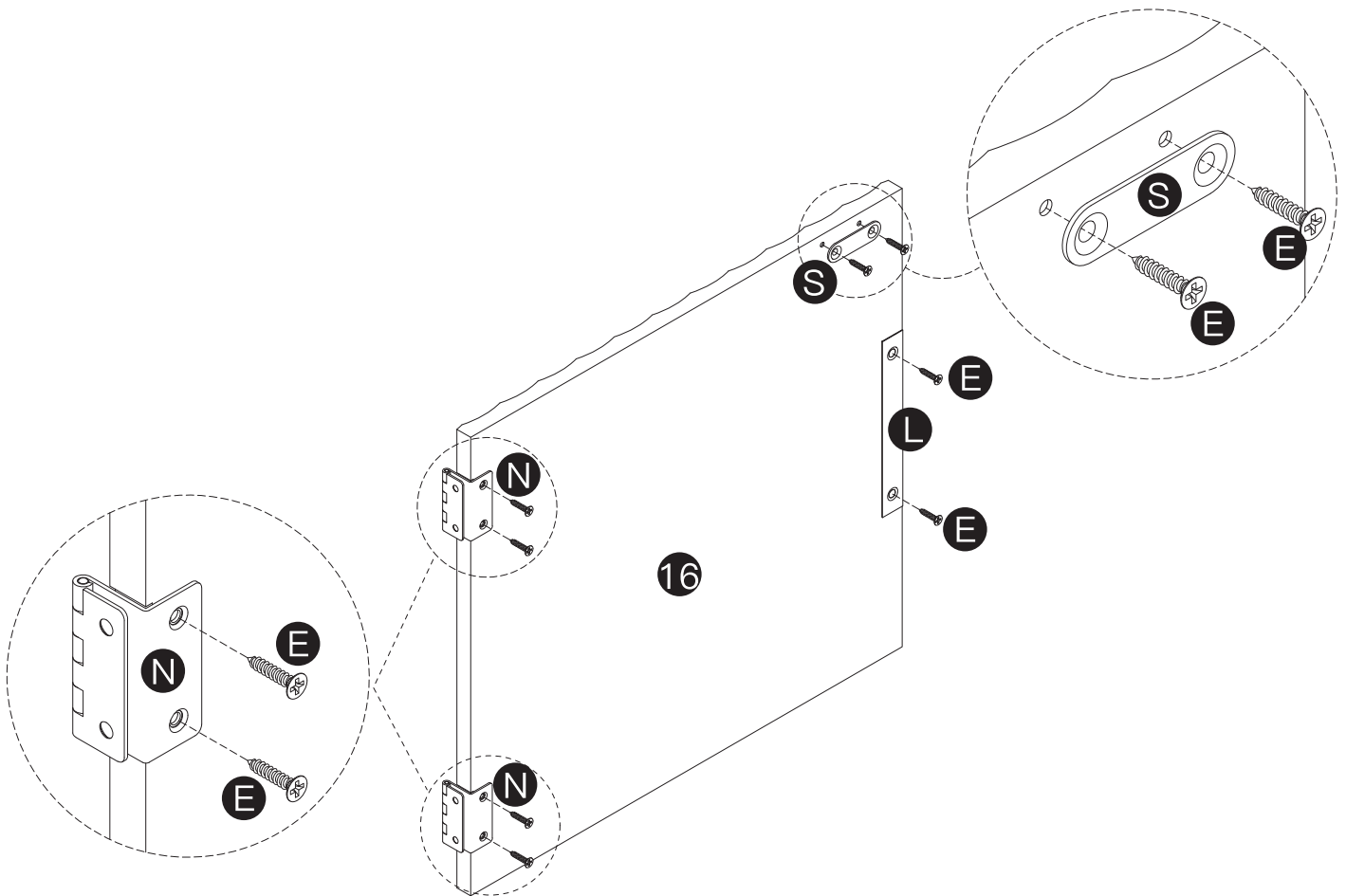
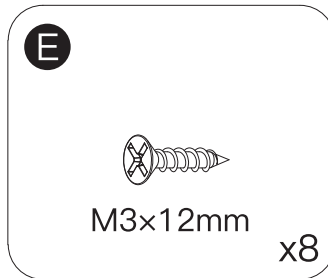
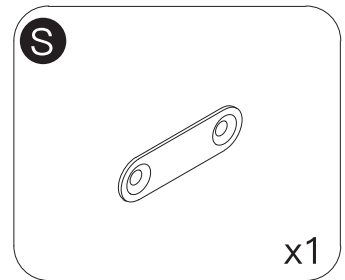
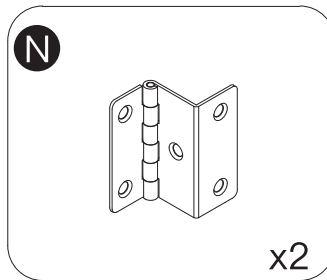
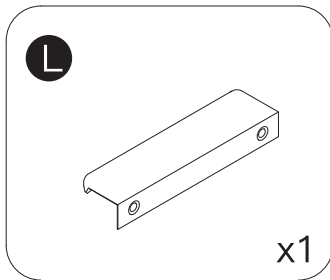
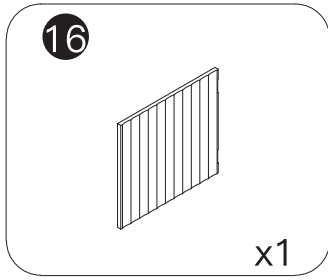
STEP 14



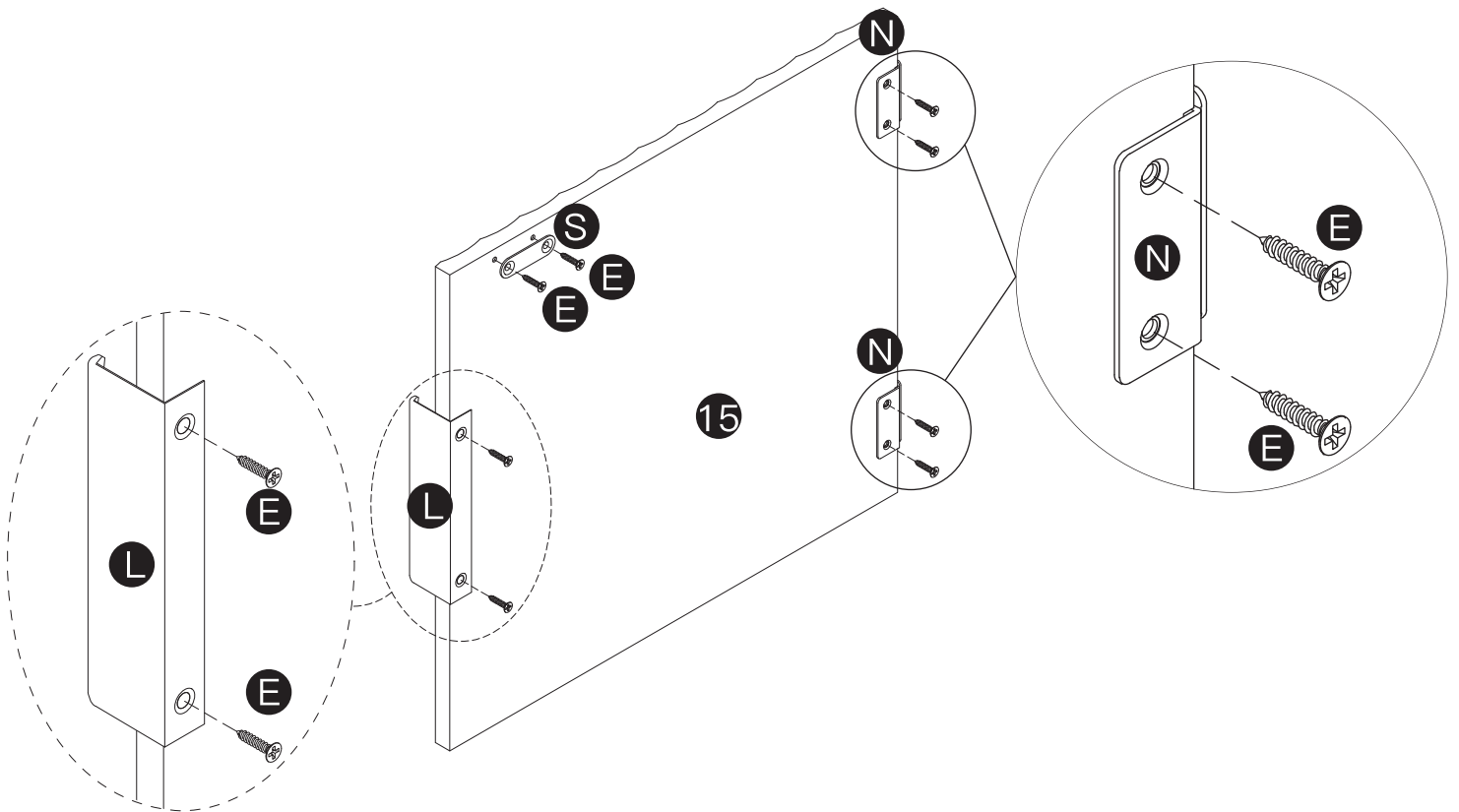
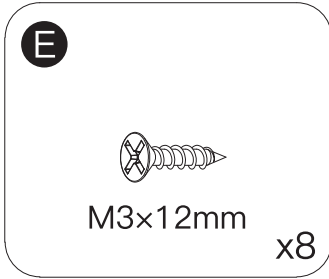
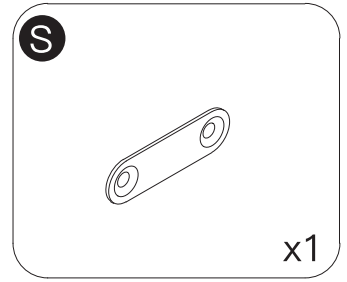
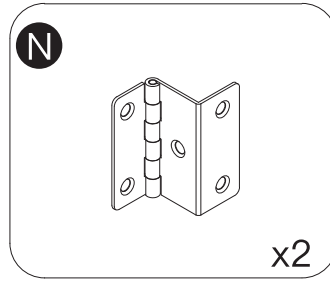
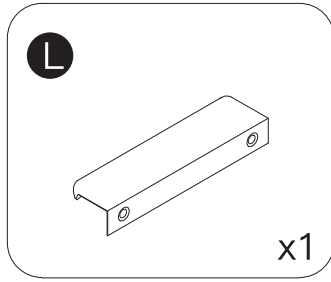
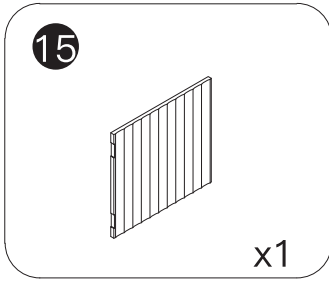
STEP 15



STEP 16

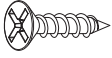


STEP 17



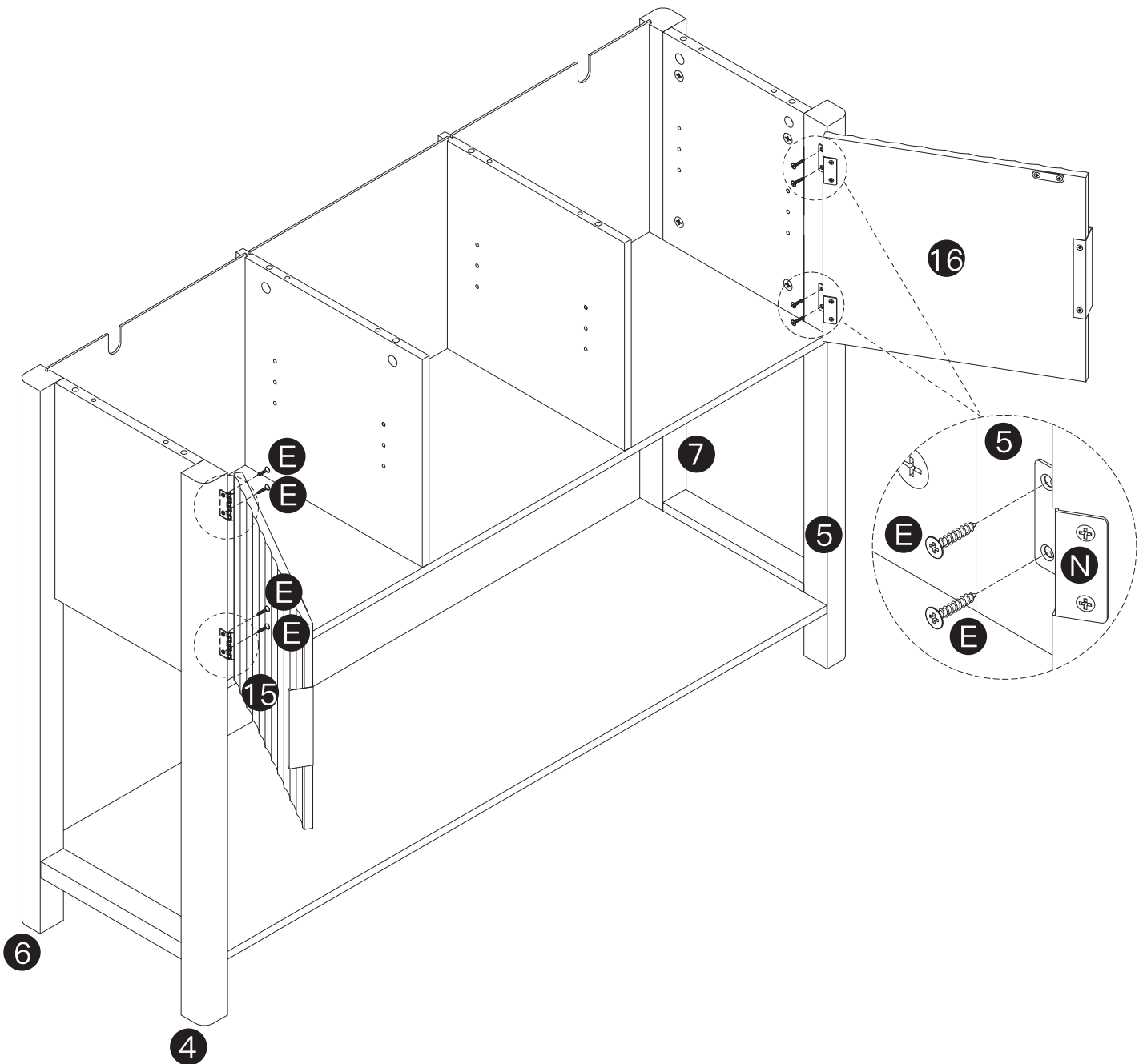
STEP 18

E



M3x12mm

x8

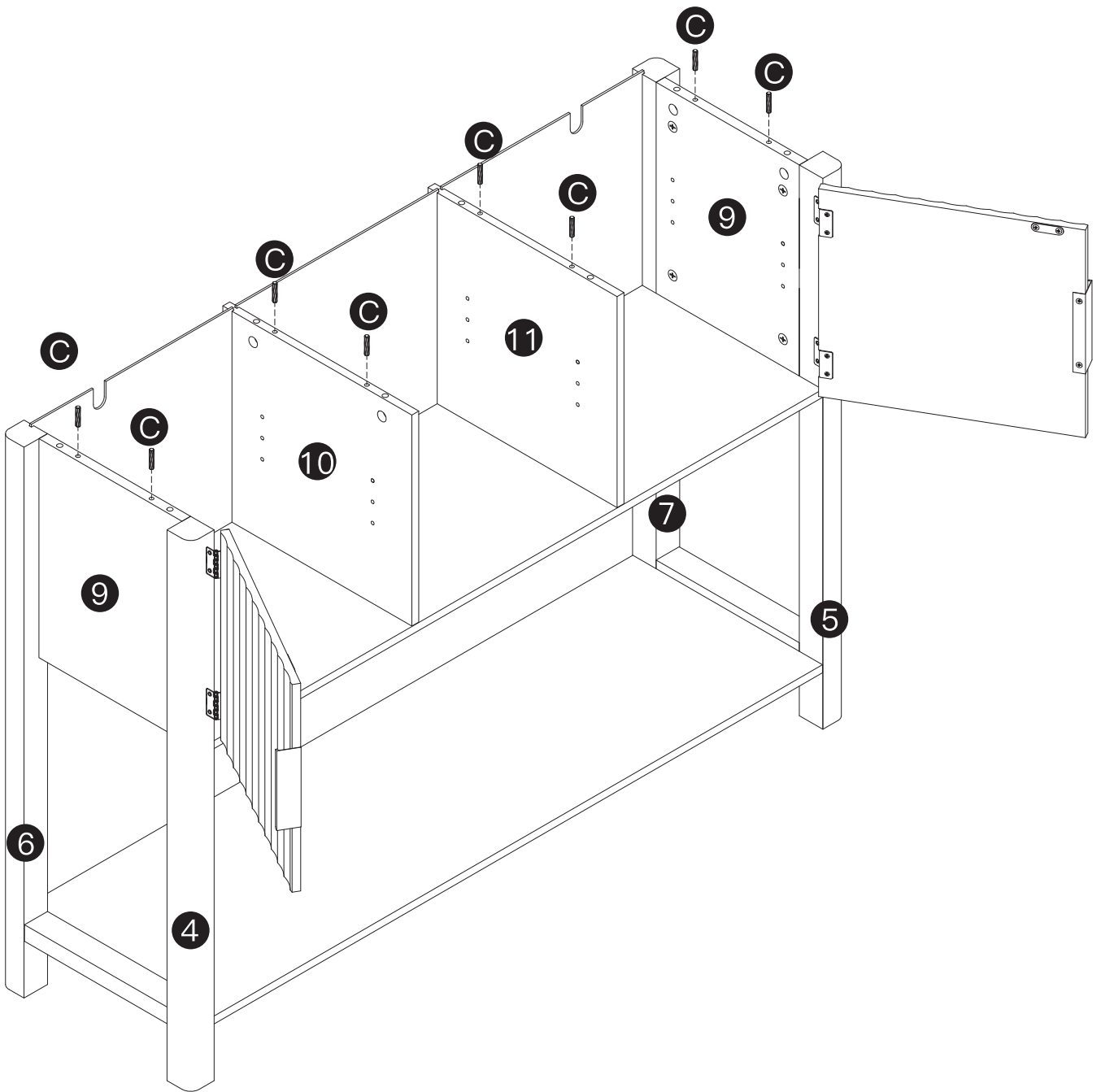


STEP 19

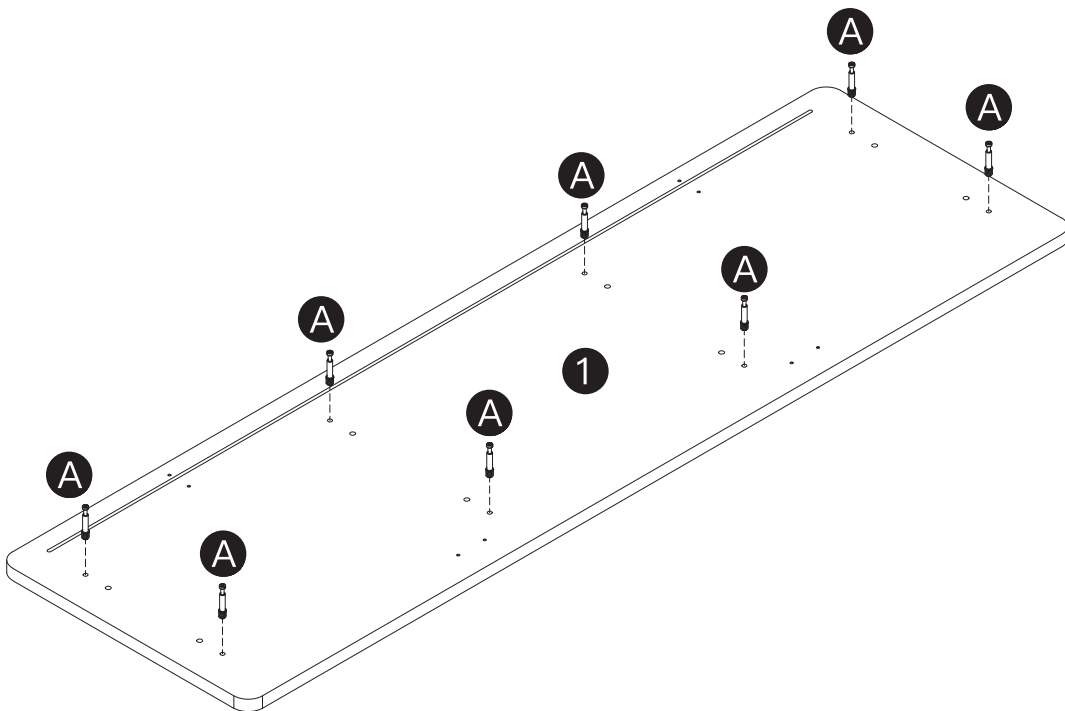
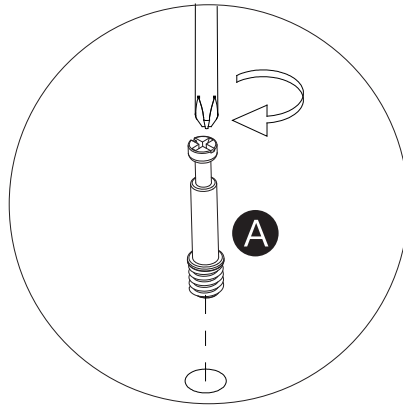
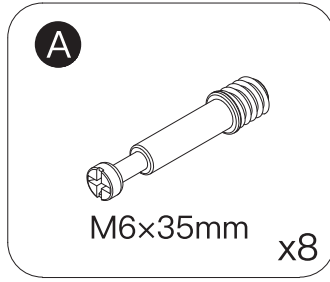
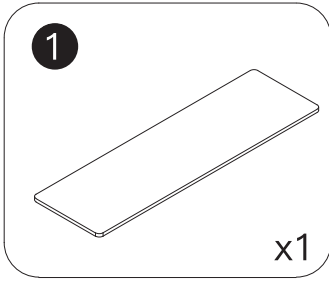
C



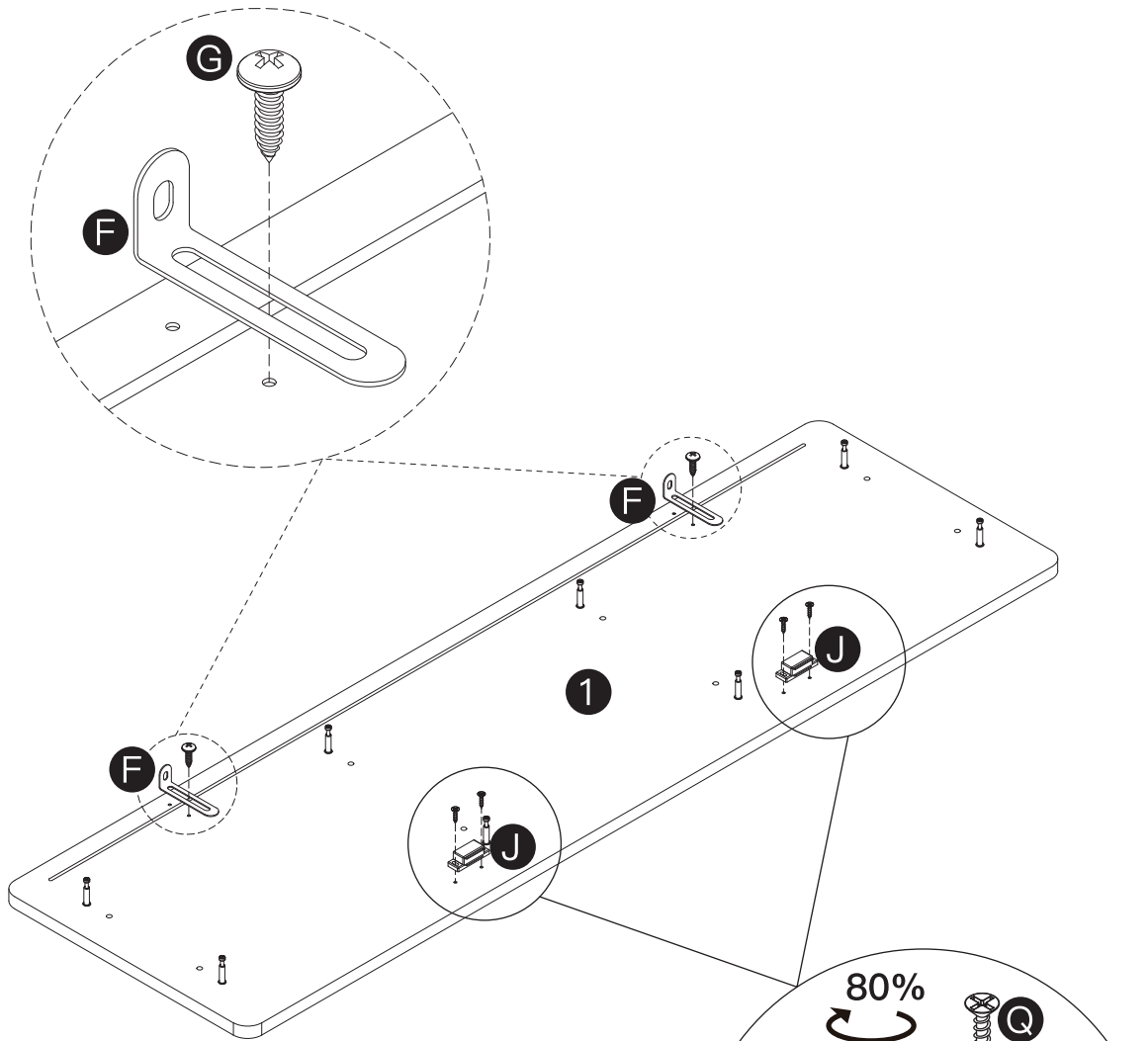
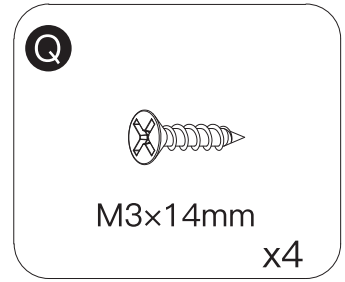
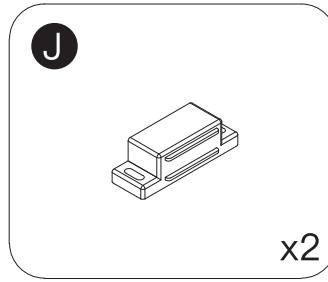
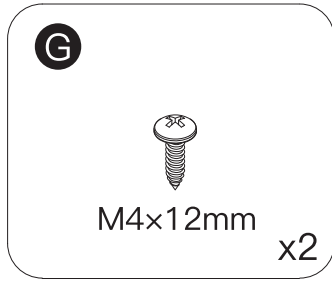
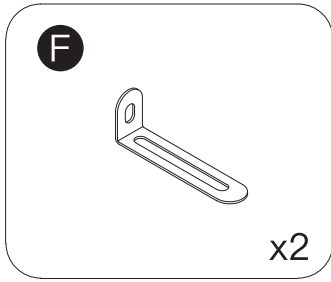
M6x30mm x8



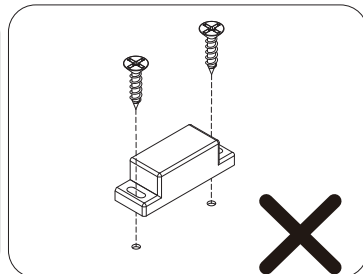
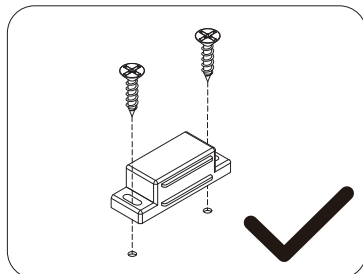
STEP 20



STEP 21



NOTICE:
The magnetic port faces outward.



STEP 22

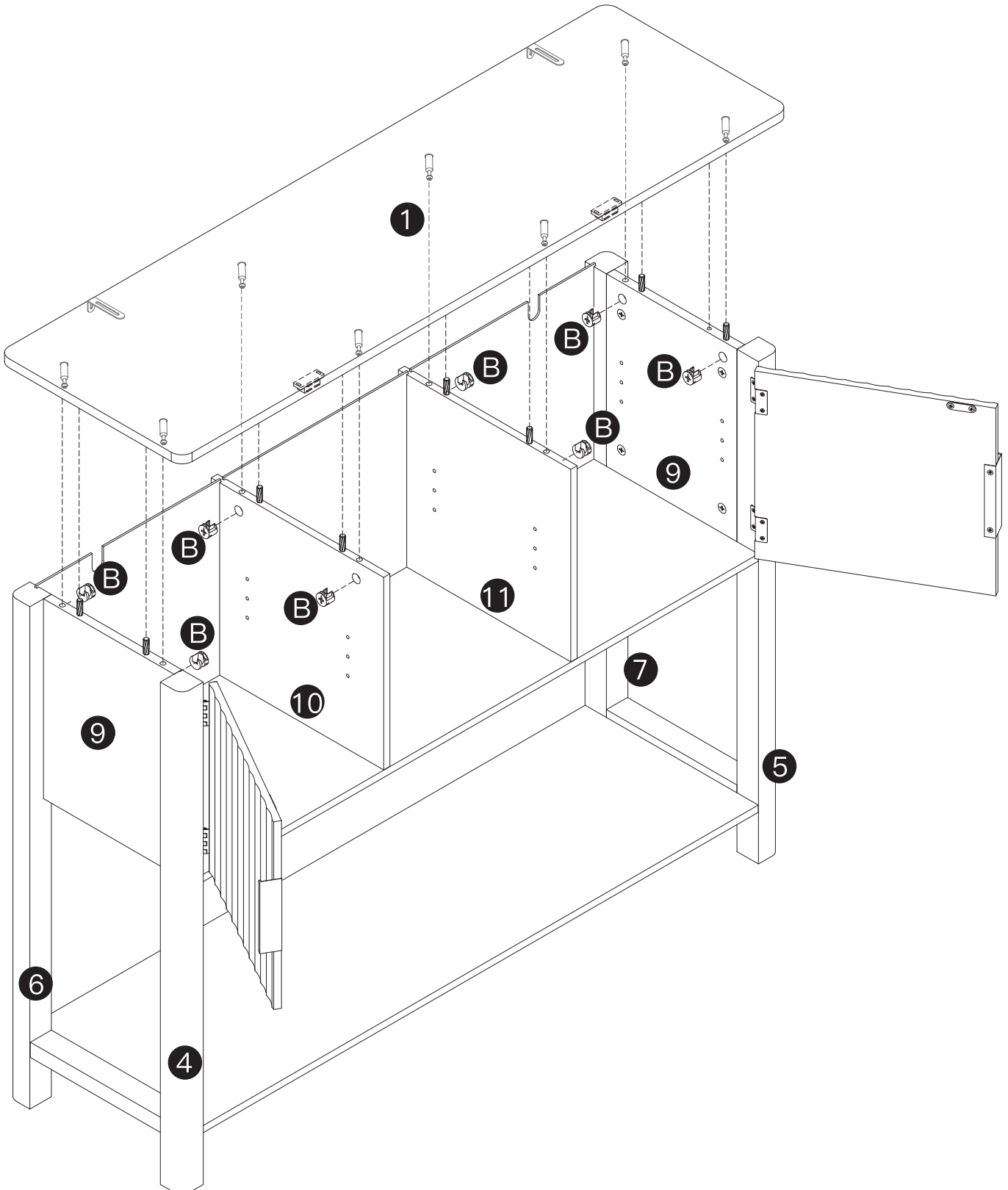
B



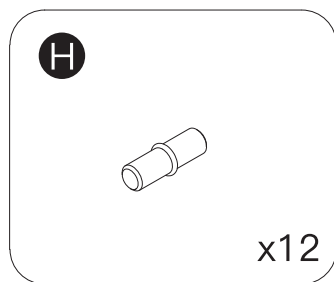
Ø15x9mm x8

NOTICE:

Please ensure that part **1** is **fully** attached to part **9**, **10** & **11** before tightening part **B**.



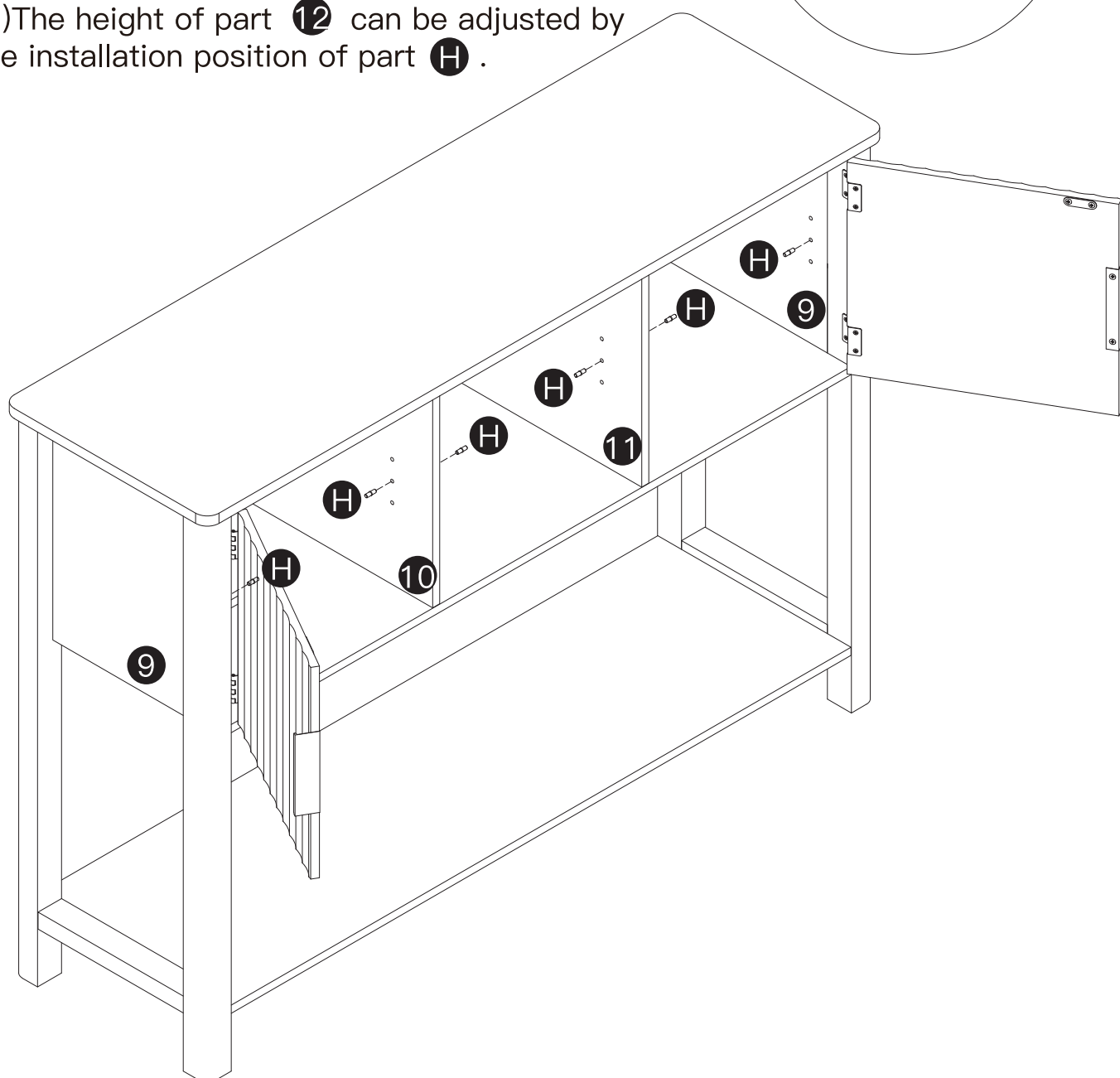
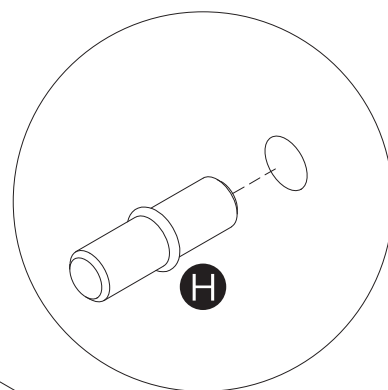
STEP 23



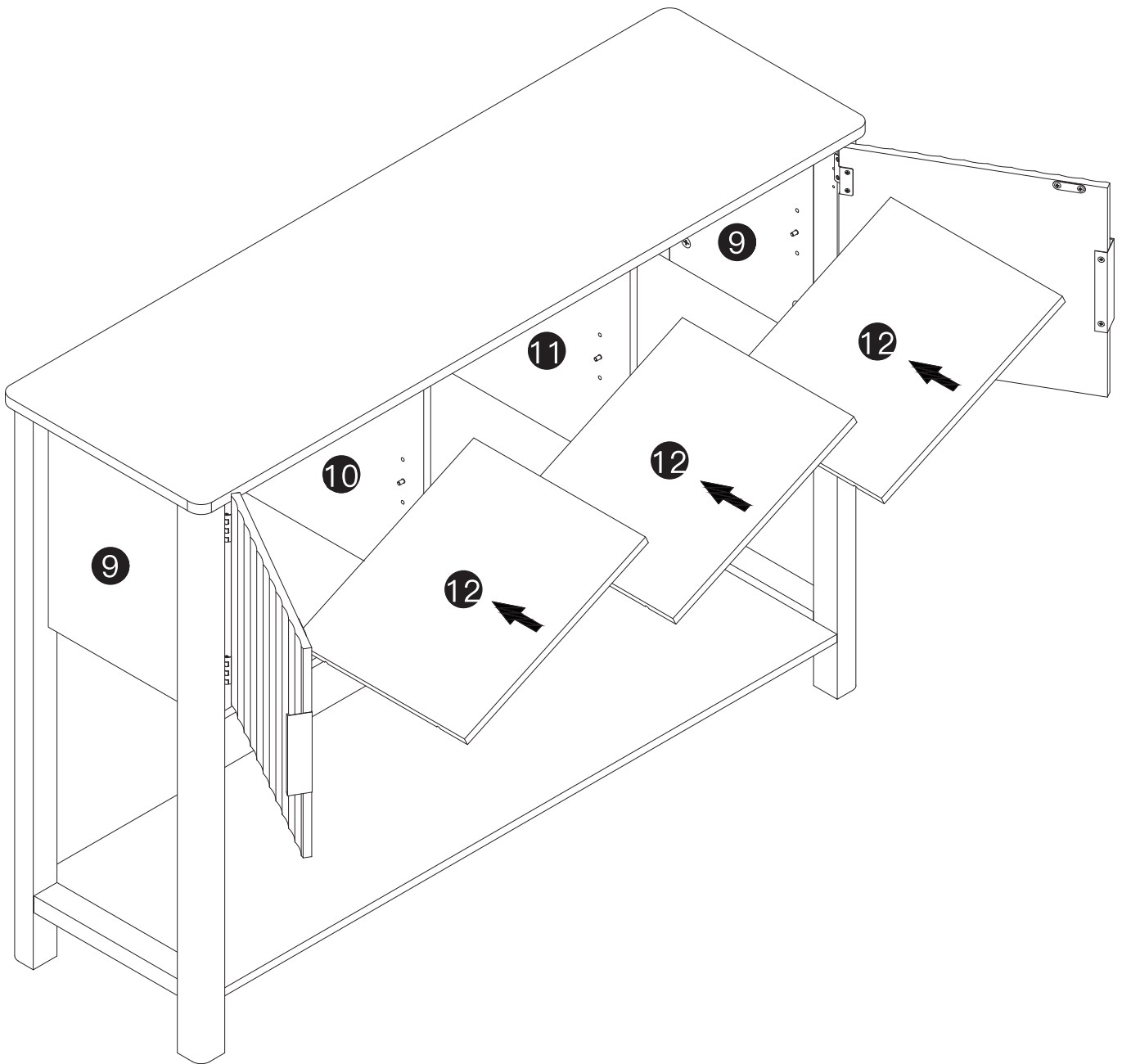
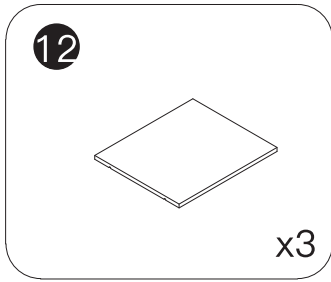
NOTICE:

(1) Every part **H** installing in same step must be at the same height.

(2) The height of part **12** can be adjusted by the installation position of part **H**.



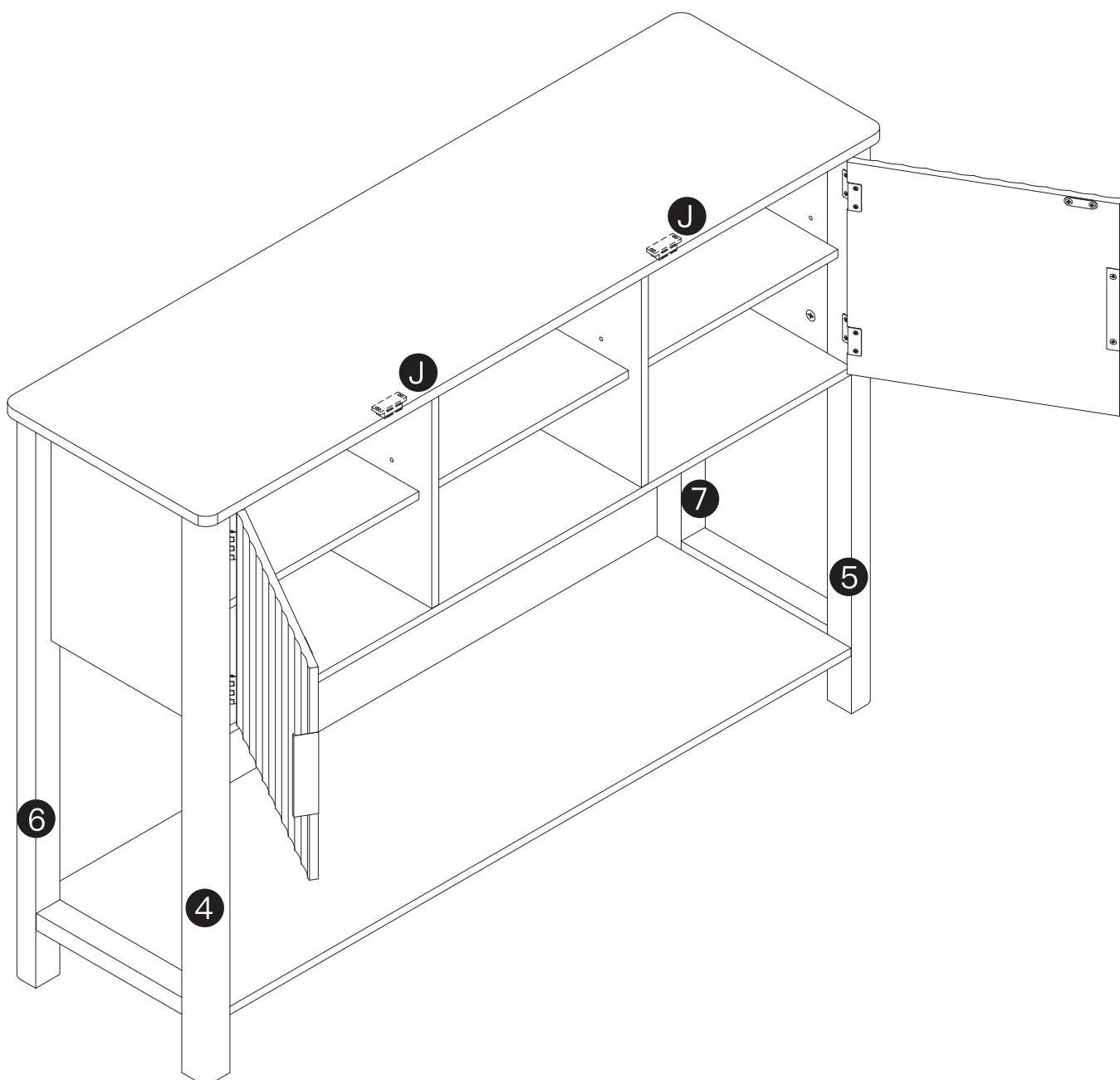
STEP 24



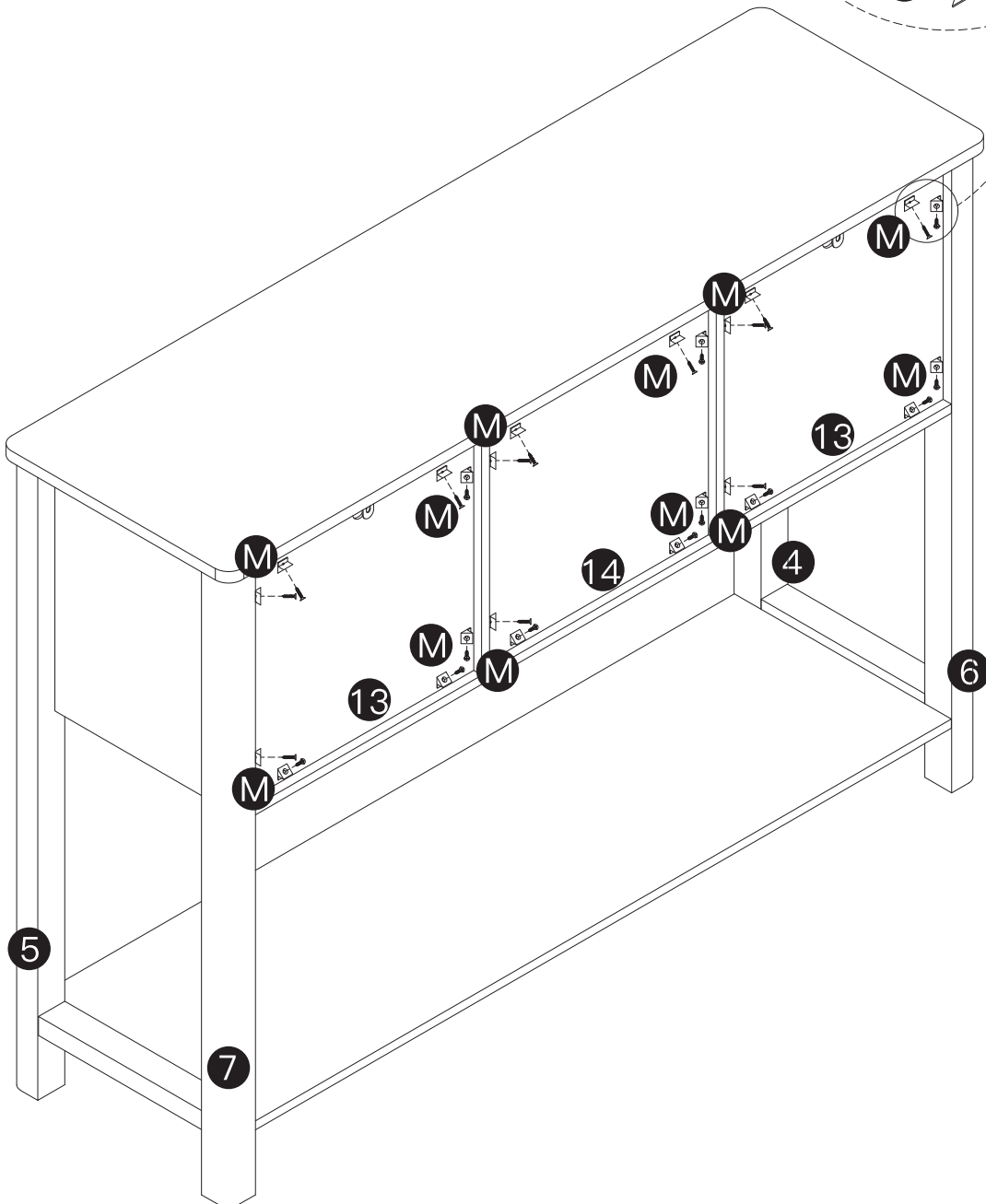
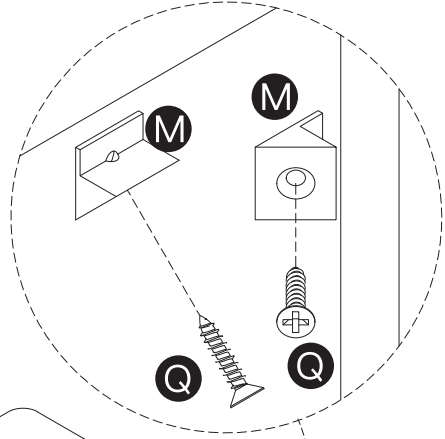
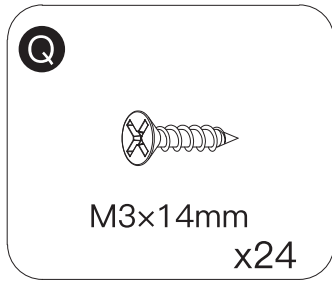
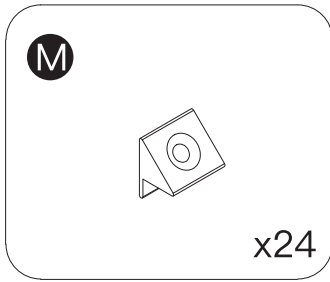
STEP 25

NOTICE:

After the door is installed, adjust the suction position of the door so that the door is flush with the front of magnet, and finally tighten the locking screw, but be careful not to use excessive force.



STEP 26



STEP 27

P

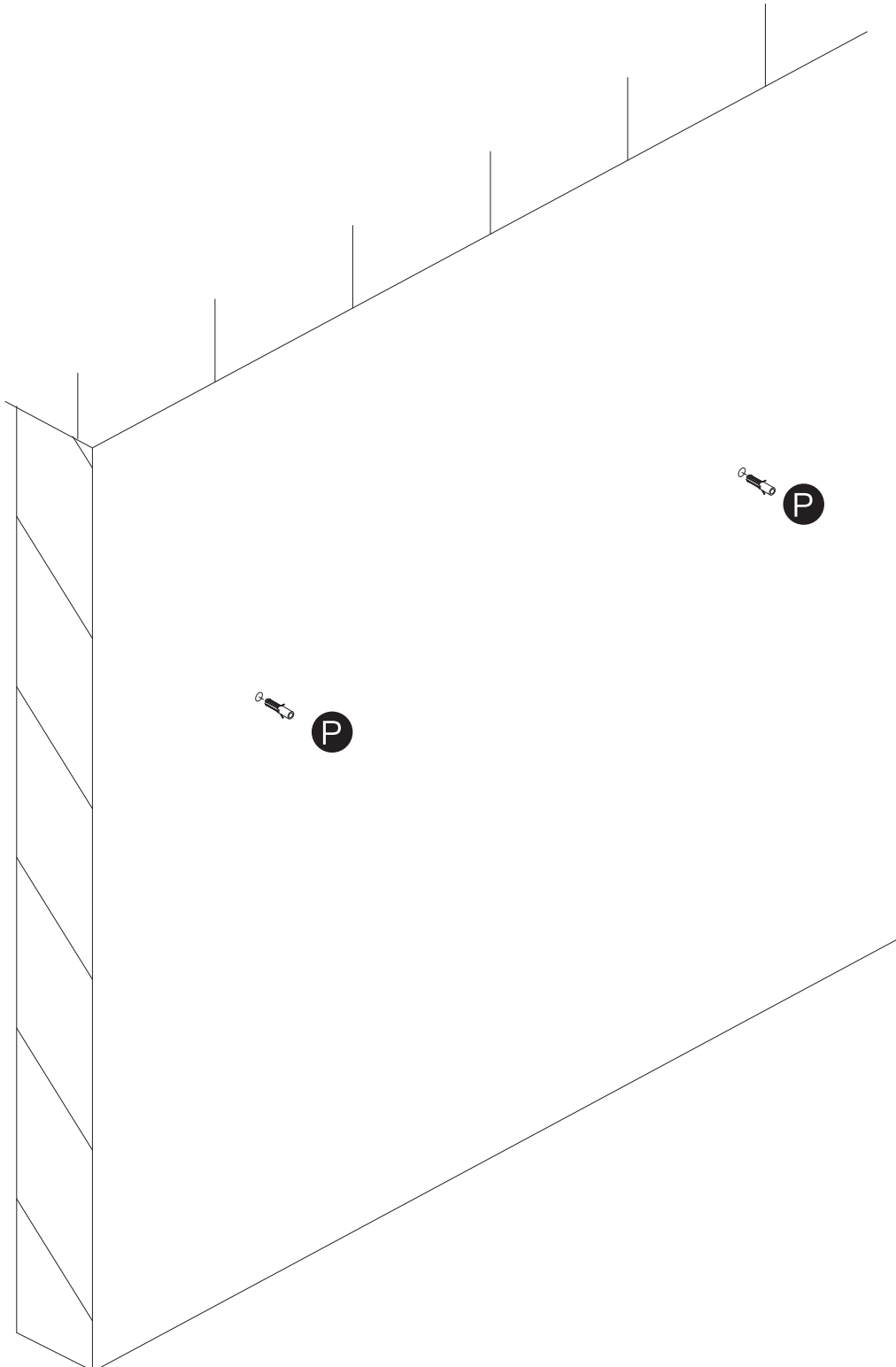


x2



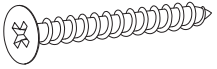
NOTICE

For the safety of you and your family, it is necessary to install Anti-Tip Device Kit (part **P** & **R**).

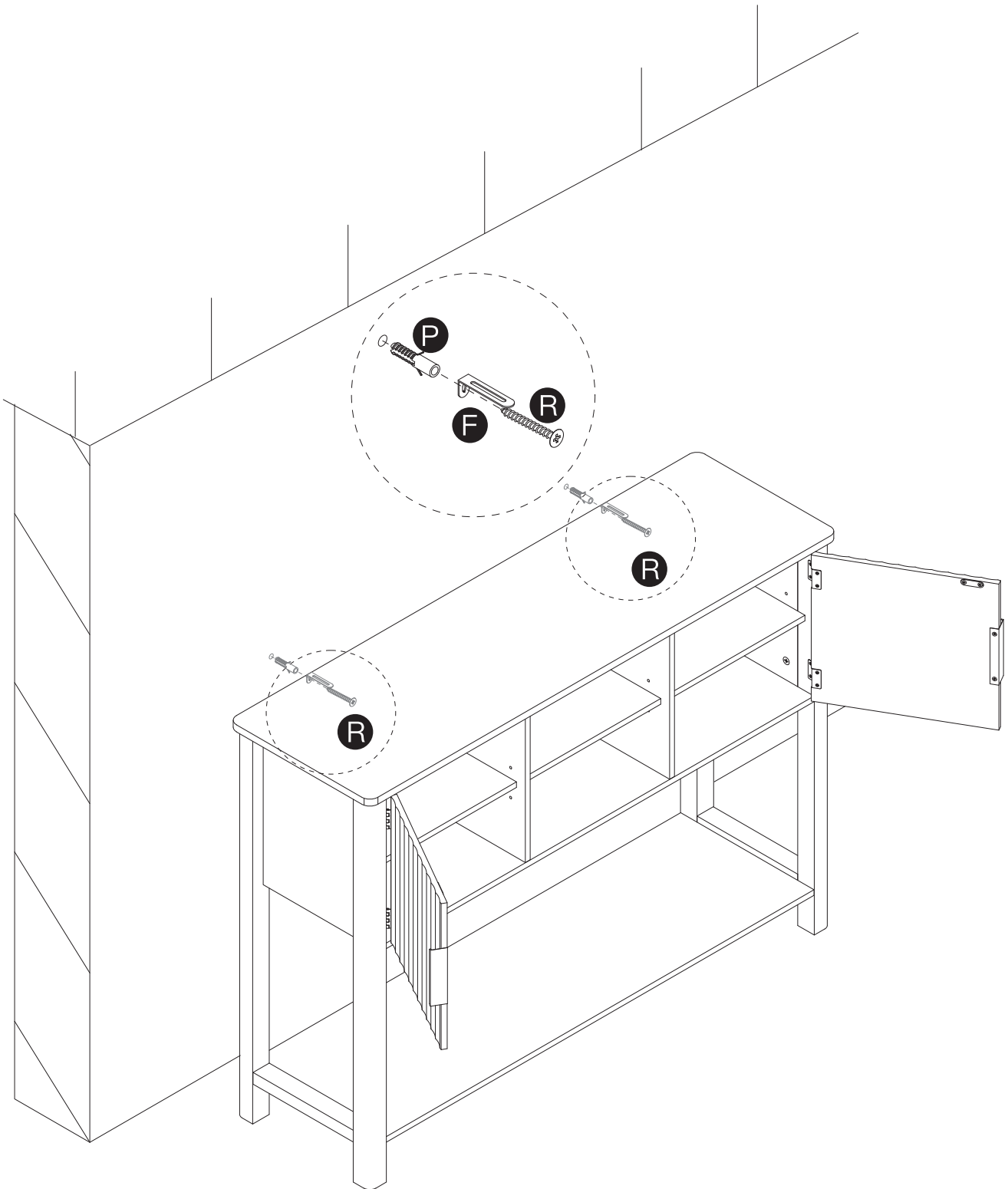


STEP 28

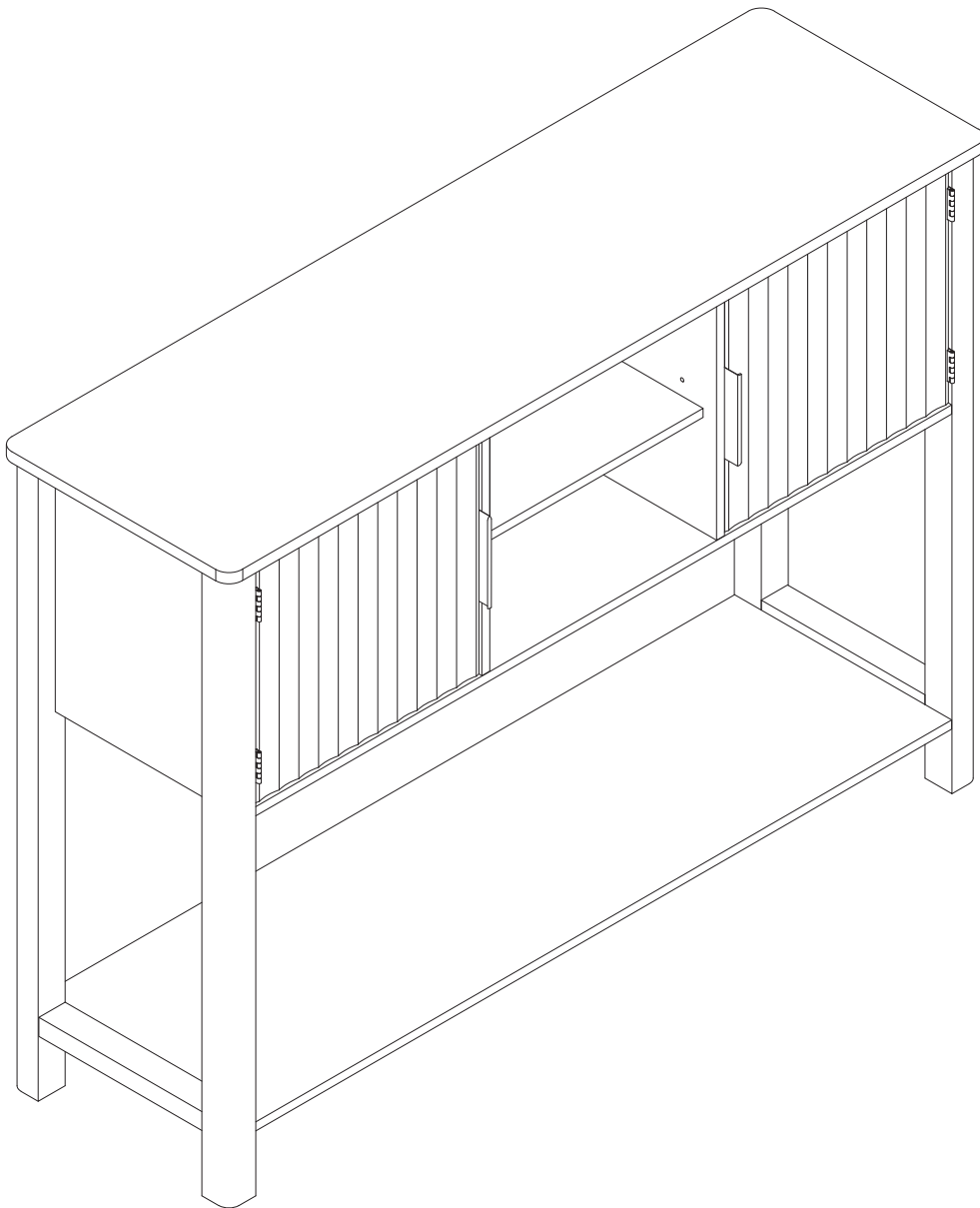
R



M4x40mm
x2



STEP 29



AFTERSALE SERVICE

Dear customer,

Thank you so much for purchasing the product from us, we really appreciate your support.

We are aimed to provide the best shopping experience to our customers. We also want to build a mutually beneficial relationship with our customers, and step further to make our brand both reliable, responsible and recommendable.

We hope that our products could meet your needs and expectations, please consider us again if you need more products for your home and kitchen.

The package would be out of our control during shipping, please contact us through your purchasing channel directly if there is anything wrong with the box or contents. We are always here offering you our service.

We will reply your messages within 24 hours, please kindly wait for the response from our team.

Your comfort and contentment are of utmost importance.

Best Regards,
Customer Care Specialist