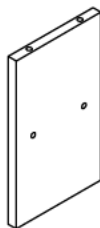




Ax4



Bx4



Cx24



Dx8



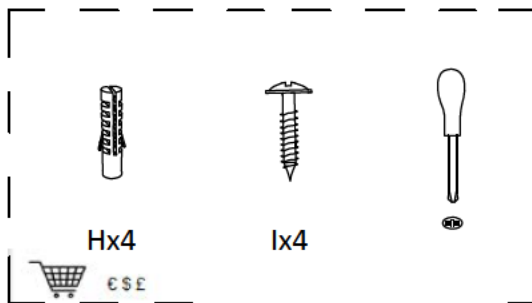
Ex8



Fx4



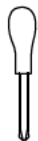
Gx8



Hx4



Ix4

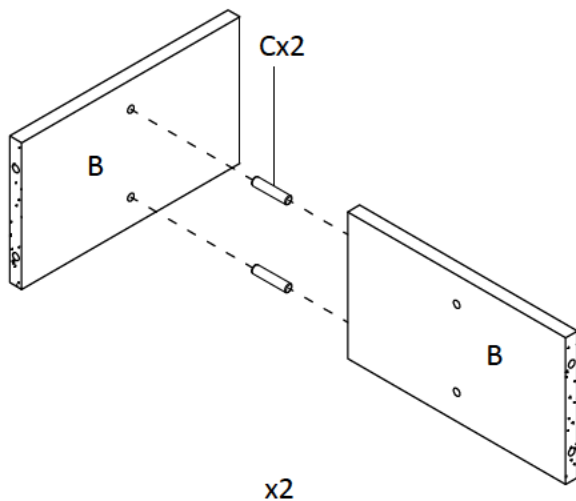


x2

mm
inch

①

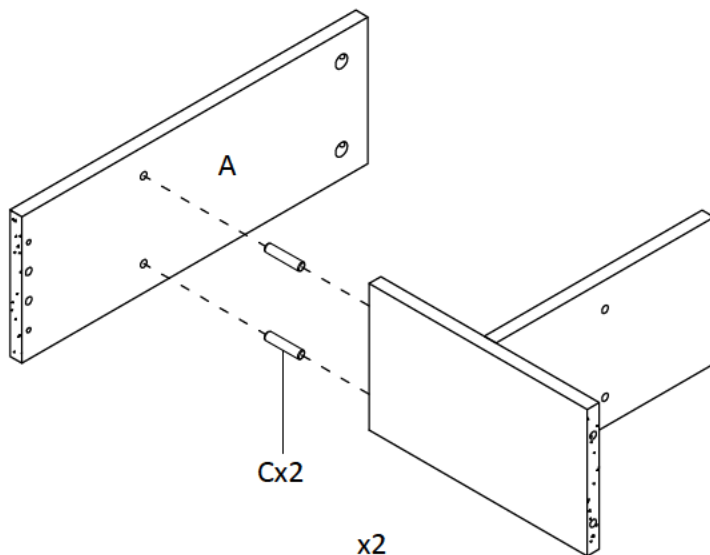
Cx4



x2

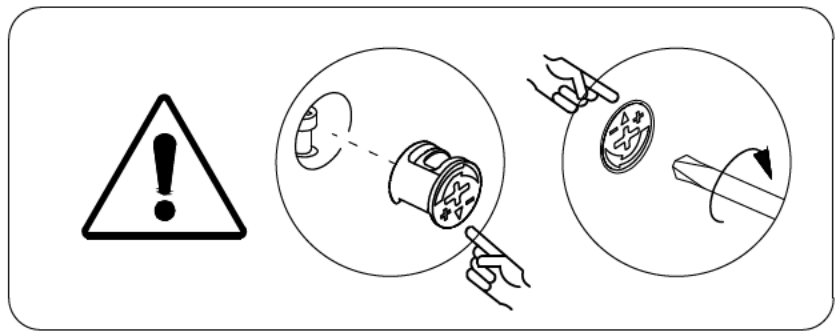
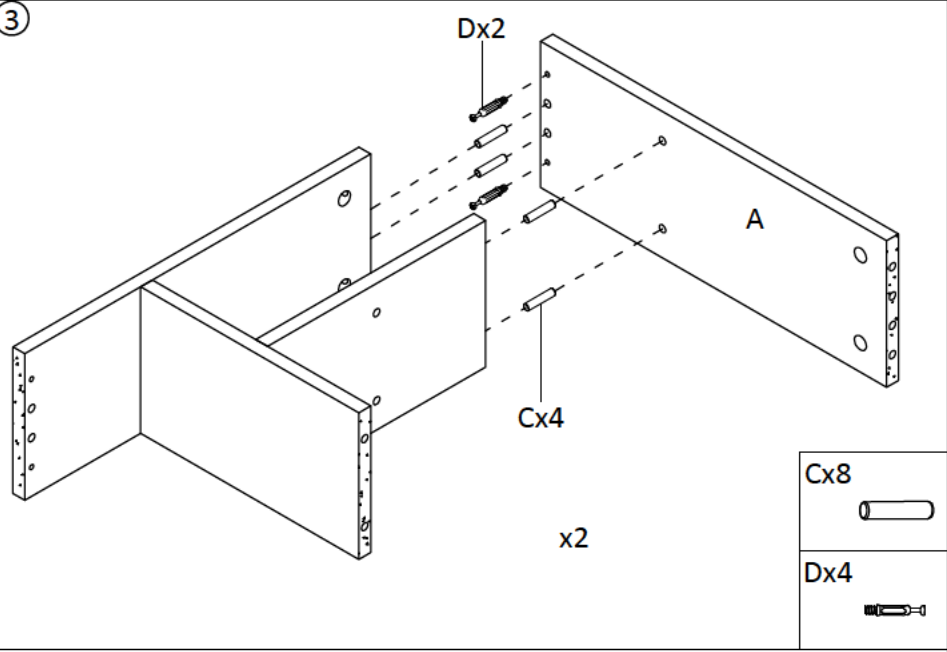
②

Cx4



x2

3

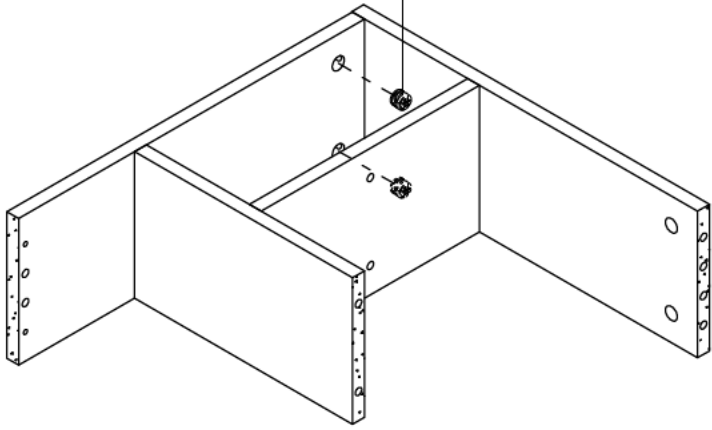


4

Gx4



Gx2



abx2

5

Cx8



Dx4

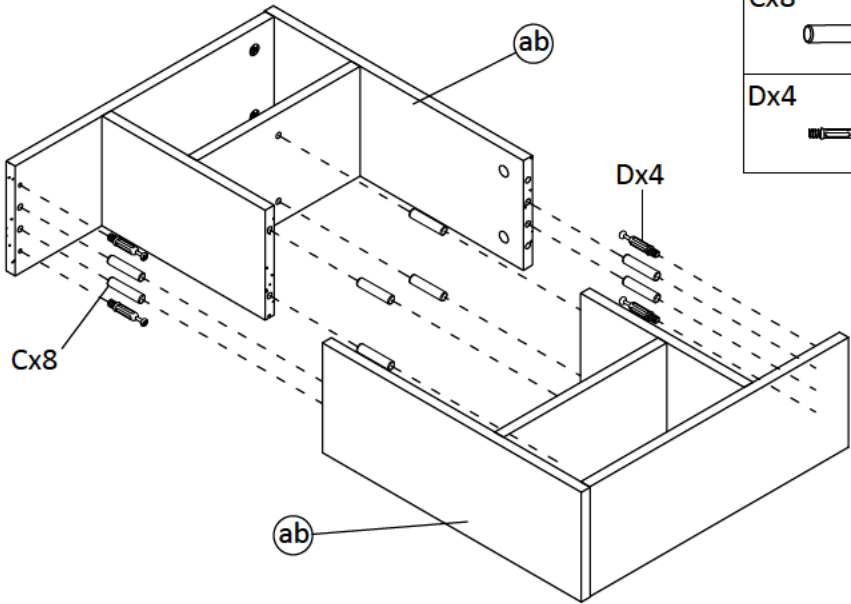


ab

Dx4

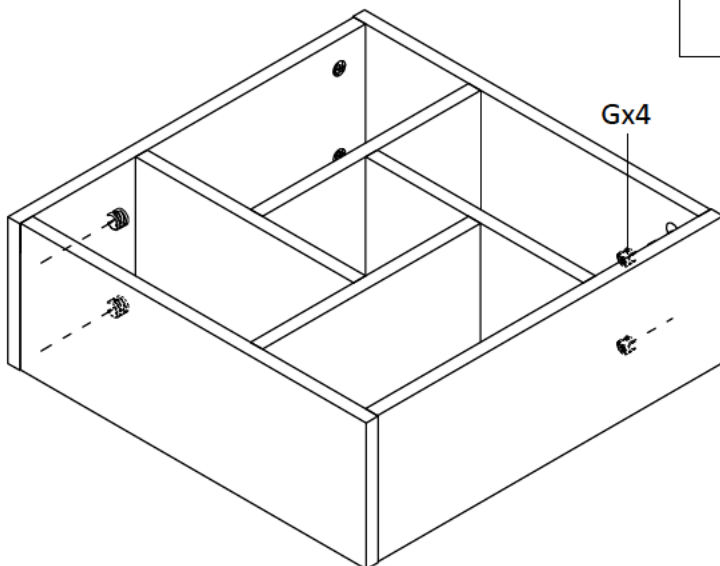
Cx8

ab



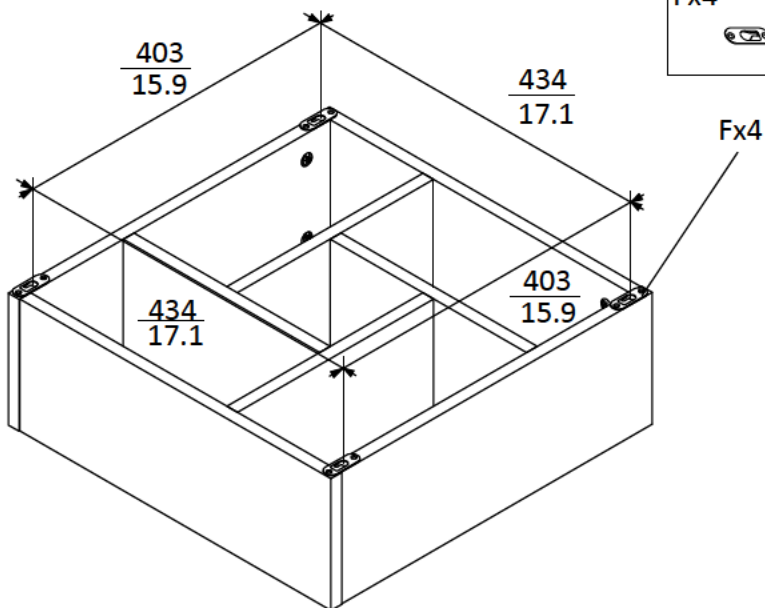
⑥

Gx4

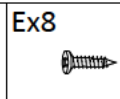


⑦

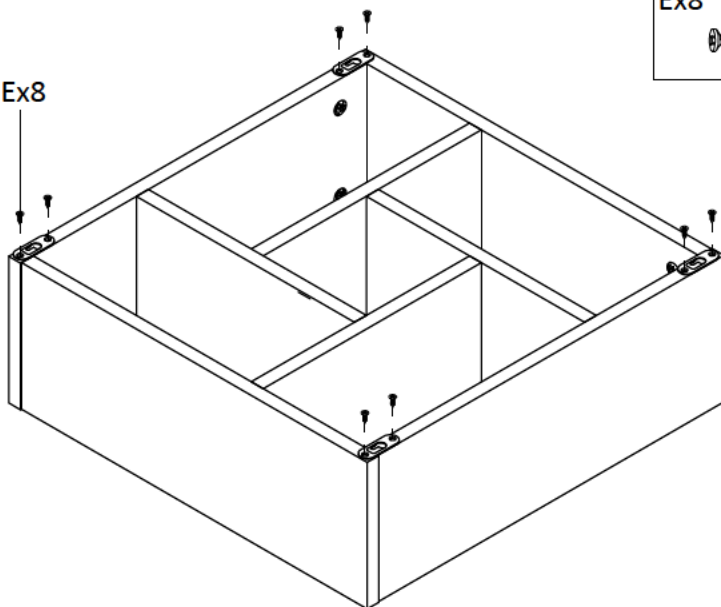
Fx4



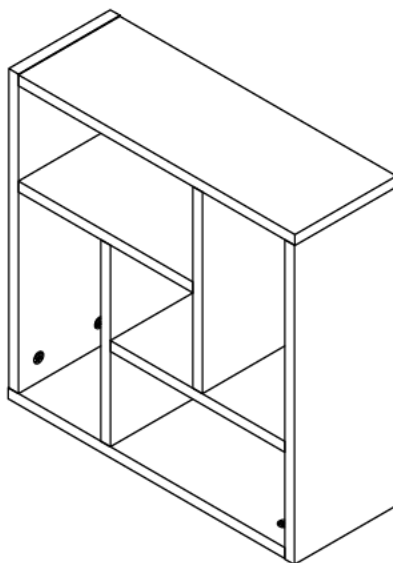
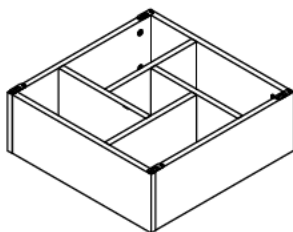
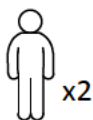
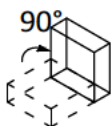
8



Ex8



9

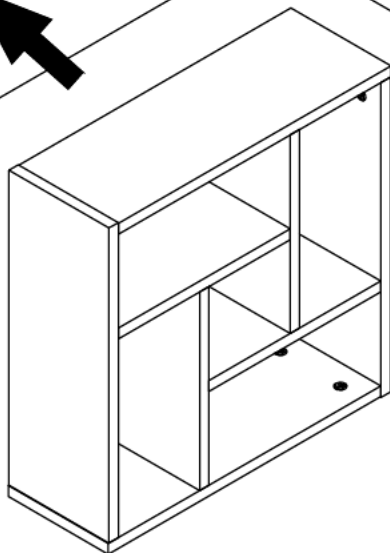
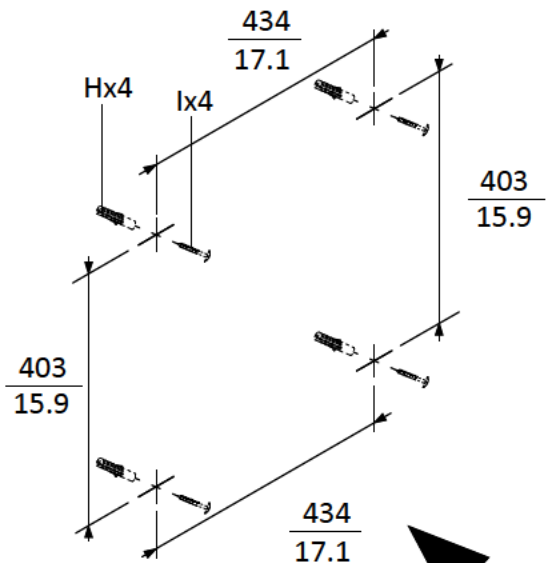


10

lx4



Hx4



11

