

ASSEMBLY INSTRUCTIONS

Item No : WF299163AAK

Description : CHEST

Thank you for purchasing this quality product. Be sure to check all packing material carefully for small part that may have come loose inside carton during shipment.



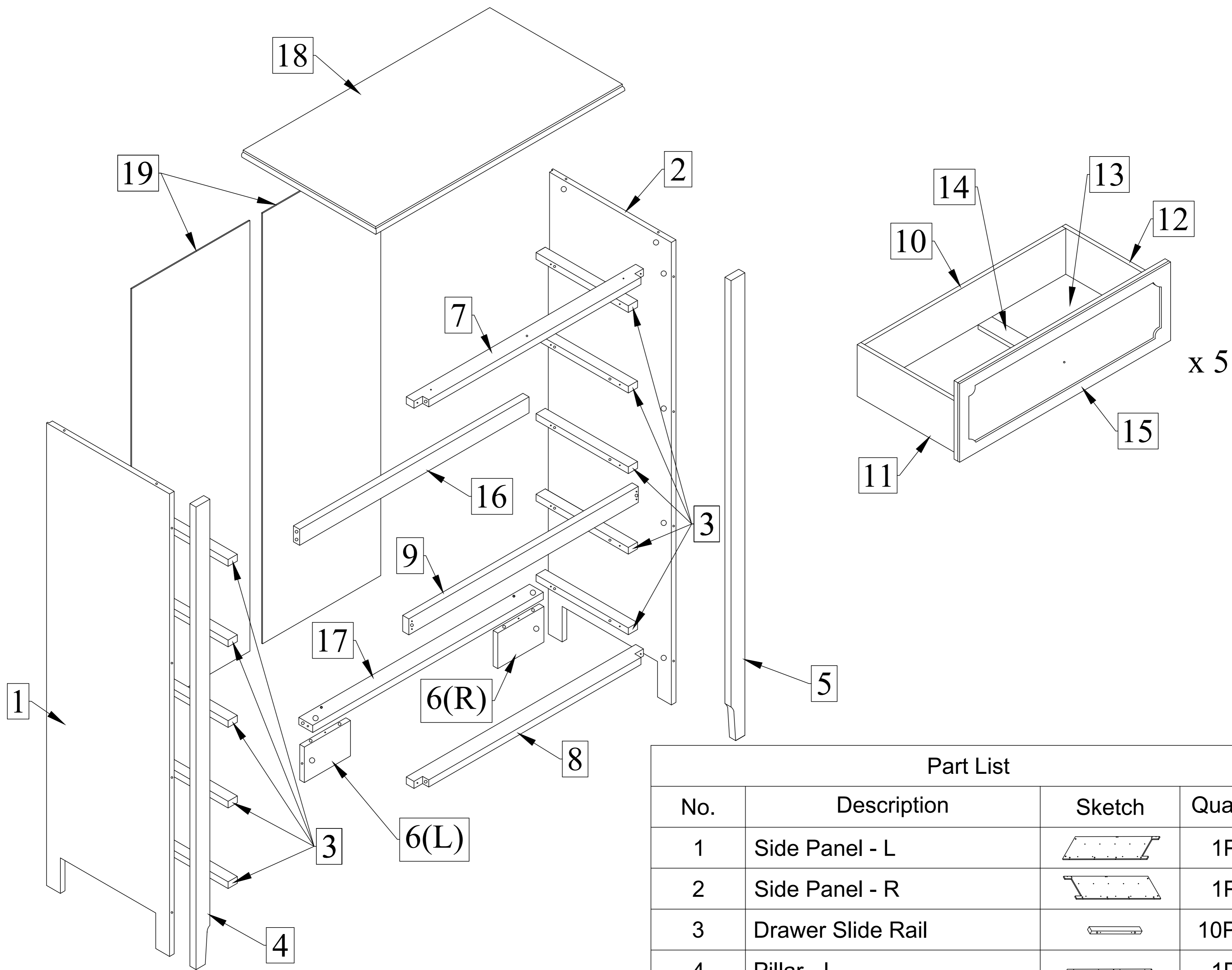
WF299163AAK

ASSEMBLY INSTRUCTIONS

Item No : WF299163AAK

Description : CHEST

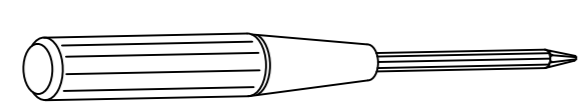
Thank you for purchasing this quality product. Be sure to check all packing material carefully for small part that may have come loose inside carton during shipment.



Part List

No.	Description	Sketch	Quantity
1	Side Panel - L		1PC
2	Side Panel - R		1PC
3	Drawer Slide Rail		10PCS
4	Pillar - L		1PC
5	Pillar - R		1PC
6	Leg (L & R)	L R	2PCS
7	Top Rail		1PC
8	Bottom Rail		1PC
9	Middle Rail (Front)		1PC
10	Drawer Back		5PCS
11	Drawer Side - L		5PCS
12	Drawer Side - R		5PCS
13	Drawer Base		5PCS
14	Drawer Base Support		5PCS
15	Drawer Front		5PCS
16	Middle Rail (Back)		1PC
17	Back Rail		1PC
18	Top Panel		1PC
19	Back Panel		2PCS

TOOLS REQUIRED (Not provided)



Screwdriver

Hardware List

No.	Description	Sketch	Quantity
A	Wood Dowel M8x30MM		36PCS
B	Minifix + Cap	B1 B2	16SETS
C	Wood Dowel M6x30MM		40PCS
D	Minifix + Cap [Drawer]	D1 D2	30SETS
E	H Connector		1PC
F	Screw M4 x 32MM		55PCS
G	Drawer Slide	G1 G2	5SETS
H	Screw M3 x 12MM		98PCS
I	Handle with Screw	I1 I2	5SETS

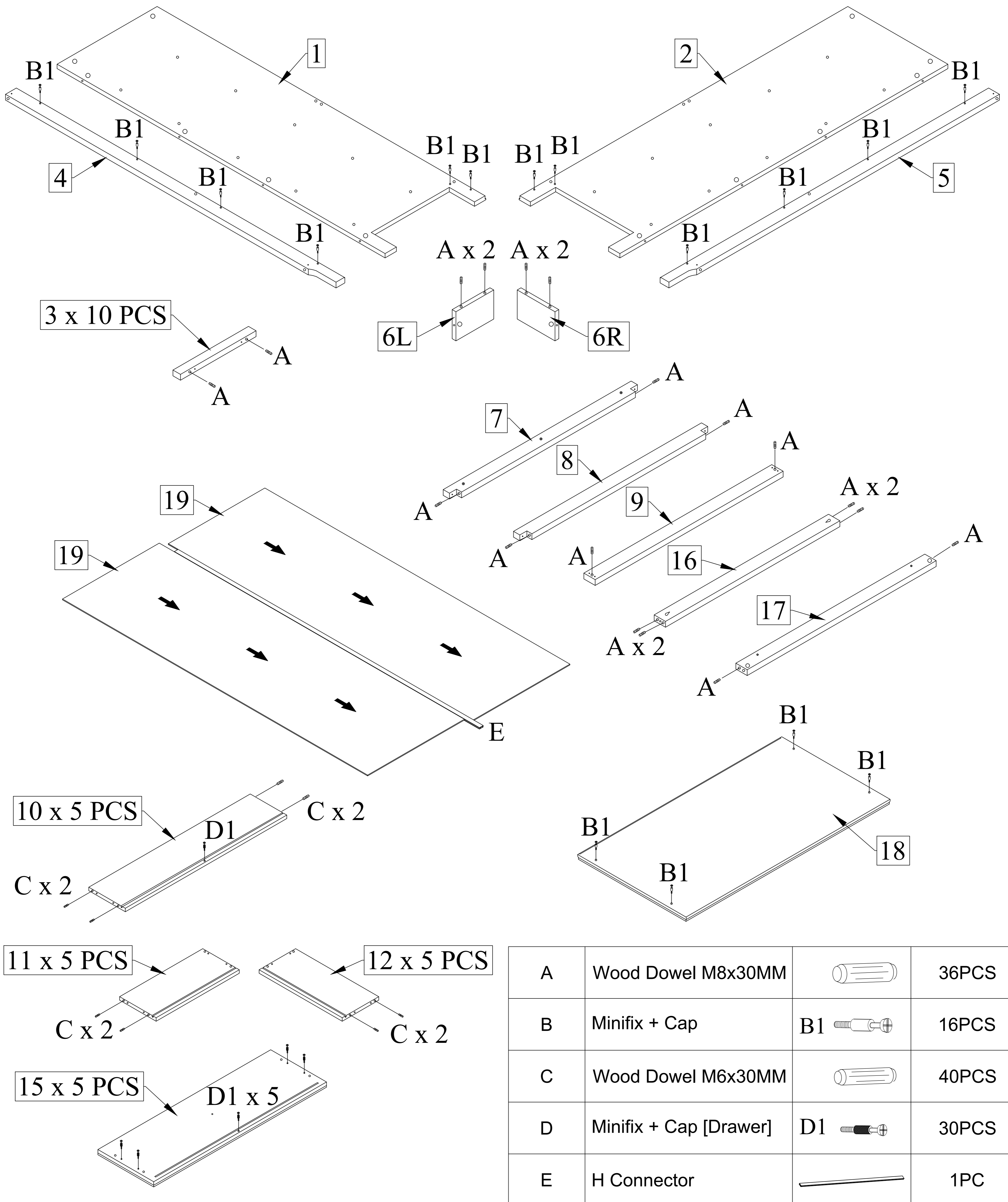
ASSEMBLY INSTRUCTIONS

Item No : WF299163AAK

Description : CHEST

Thank you for purchasing this quality product. Be sure to check all packing material carefully for small part that may have come loose inside carton during shipment.

Step 1 : Attach Wood Dowel (A) and Minifix (B1) to parts (1,2,3,4,5,6,7,8,9,16,17,18) accordingly. Attached Wood Dowel (C) and Minifix [Drawer] (D1) to drawer box parts (10,11,12,15) accordingly. Slot Back Panel (19) into H Connector (E).



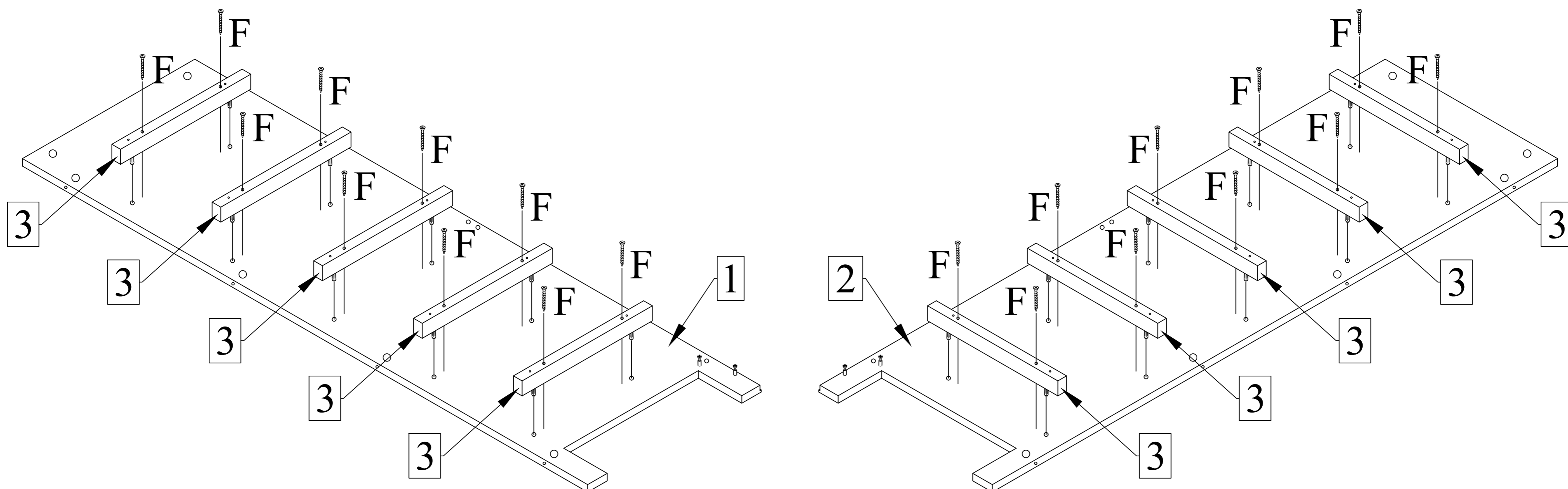
ASSEMBLY INSTRUCTIONS

Item No : WF299163AAK

Description : CHEST

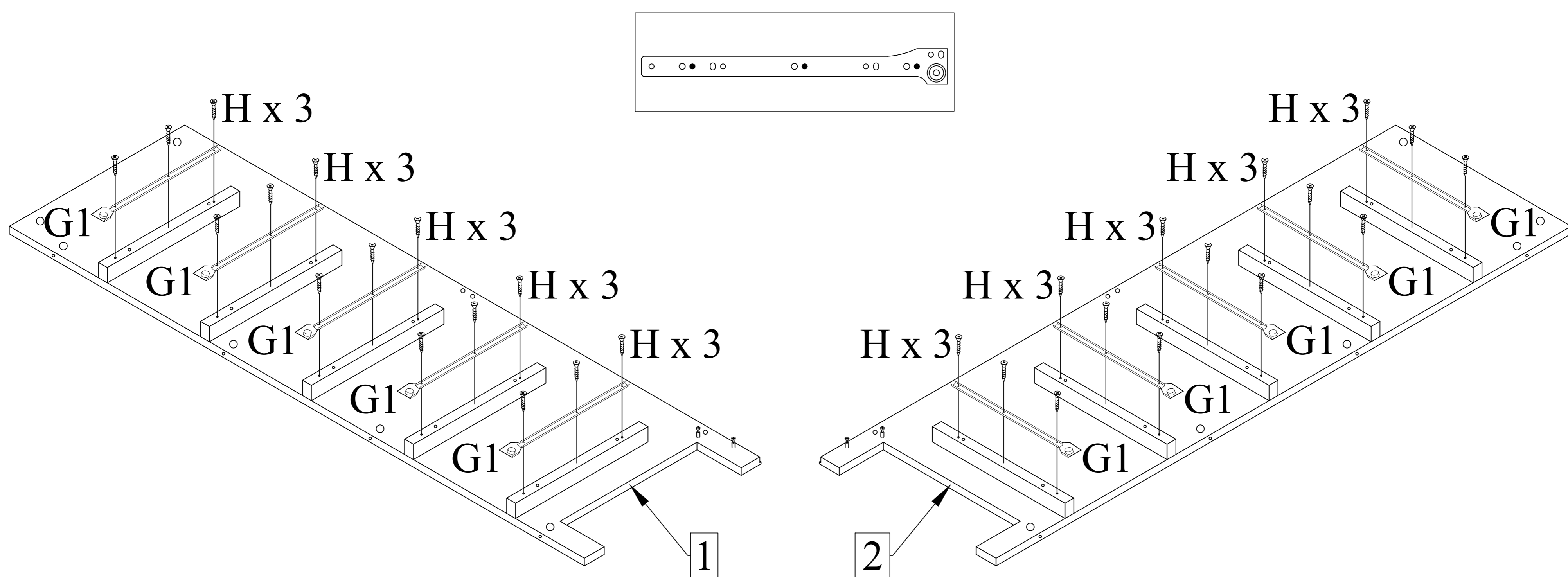
Thank you for purchasing this quality product. Be sure to check all packing material carefully for small part that may have come loose inside carton during shipment.

Step 2 : Connect Drawer Slide Rail (3) to Side Panel (1,2) with Screw (F).



F	Screw M4 x 32MM		20PCS
---	-----------------	---	-------

Step 3 : Attach Drawer Slide (G1) onto the Rail on Side Panel using Screw (H).



G	Drawer Slide		5SETS
H	Screw M3 x 12MM		30PCS

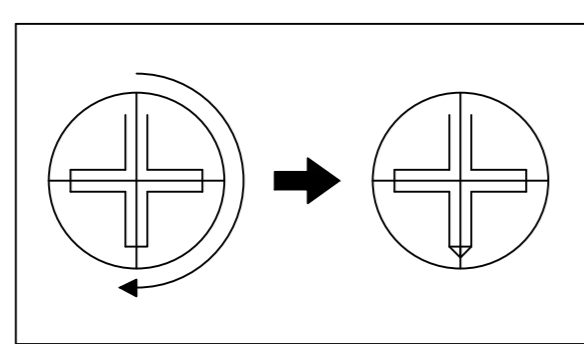
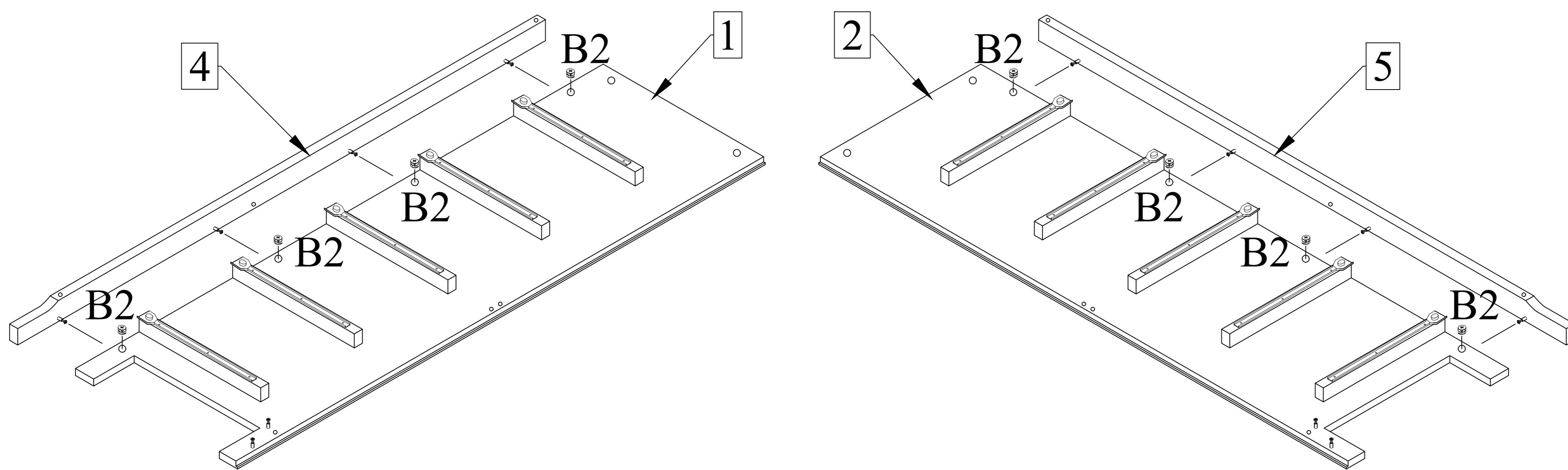
ASSEMBLY INSTRUCTIONS

Item No : WF299163AAK

Description : CHEST

Thank you for purchasing this quality product. Be sure to check all packing material carefully for small part that may have come loose inside carton during shipment.

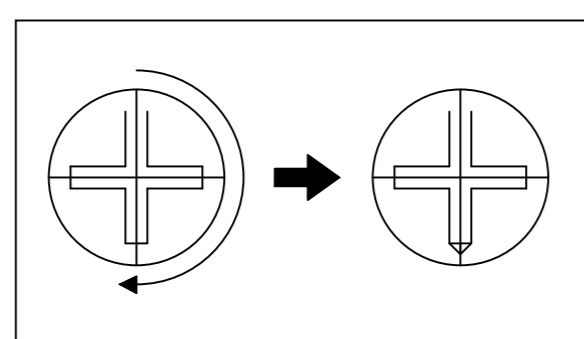
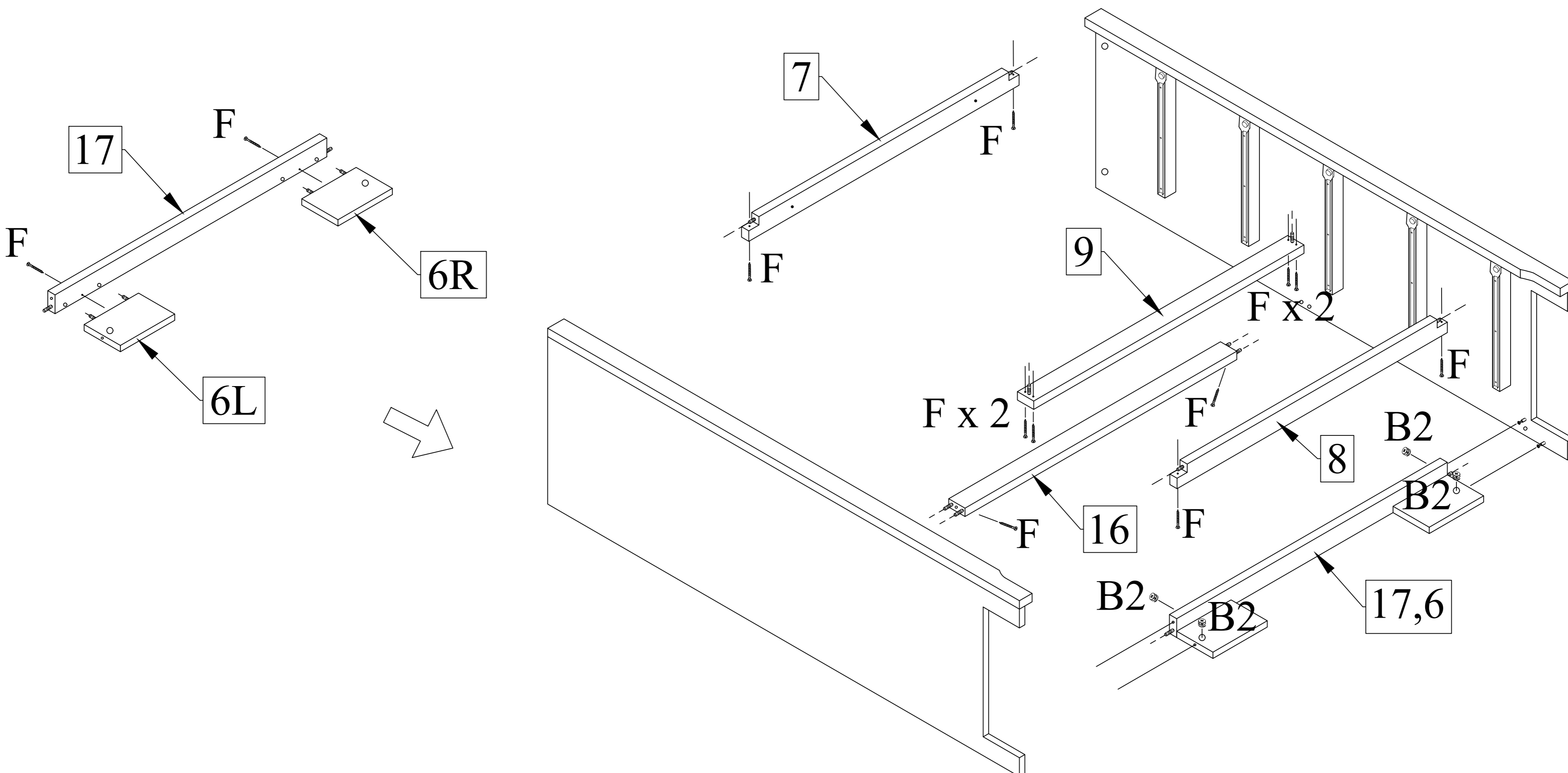
Step 4 : Connect Pillar (4,5) to Side Panel and lock Minifix Cap (B2).



Lock Minifix cap clockwise

B	Minifix Cap	B2 	8PCS
---	-------------	--	------

Step 5 : Attach Leg (6) onto Back Rail (17) using Screw (F).
Connect Side Panel with Rails (7,8,9,16,17) using Screw (F).
Lock Minifix Cap (B2) on Back Rail (17,6).



Lock Minifix cap clockwise

B	Minifix Cap	B2 	4PCS
F	Screw M4 x 32MM		12PCS




ASSEMBLY INSTRUCTIONS

Item No : WF299163AAK

Description : CHEST

Thank you for purchasing this quality product. Be sure to check all packing material carefully for small part that may have come loose inside carton during shipment.

Step 6 : Attach Top Panel (18) and lock with Minifix Cap (B2) and Screw (F).
Insert Back Panel (19) from behind using Screw (H).

B	Minifix Cap	B2 	4PCS
F	Screw M4 x 32MM		3PCS
H	Screw M3 x 12MM		38PCS

Step 7 : Drawer assembly.



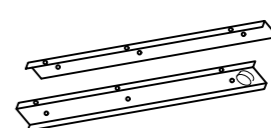



First connect Drawer Back (10) to Drawer Side - L (11) and Drawer Side - R (12) with Screw (F).

Slot the Drawer Base Support (14) into Drawer Back (10). Next, slot in the Drawer Base (13).

Then, install the Handle with Screw (I1&I2) onto Drawer Front (15). Attach the Drawer Front (15) to the drawer box and lock Minifix Cap [Drawer] (D2).

Finally, install Drawer Slide (G2) onto the drawer box using Screw (H).

Drawer assembly x 5

D	Minifix Cap [Drawer]	D2 	30PCS
F	Screw M4 x 32MM		20PCS
G	Drawer Slide	G2 	5SETS
H	Screw M3 x 12MM		30PCS
I	Handle with Screw	I1  I2 	5SETS

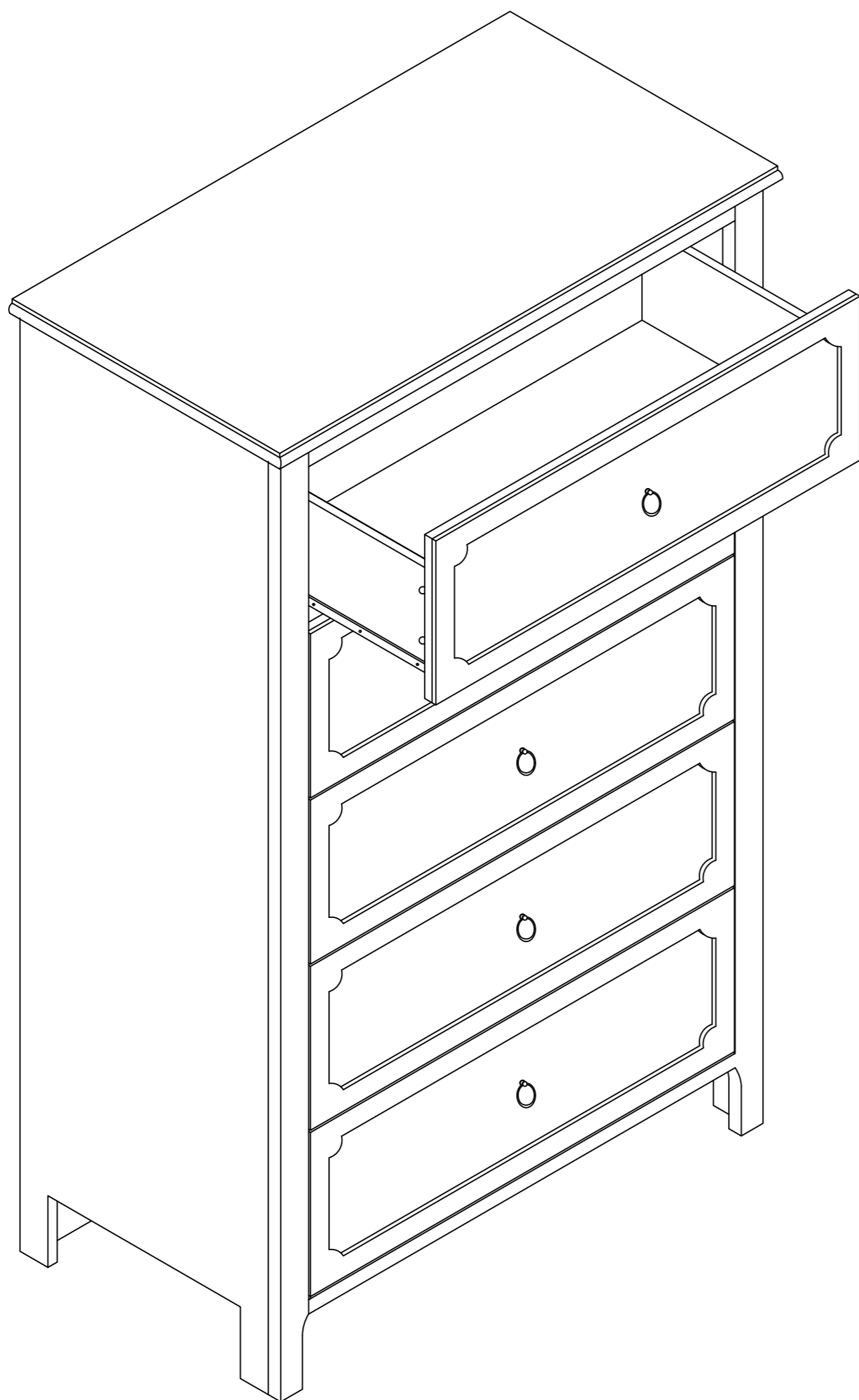
ASSEMBLY INSTRUCTIONS

Item No : WF299163AAK

Description : CHEST

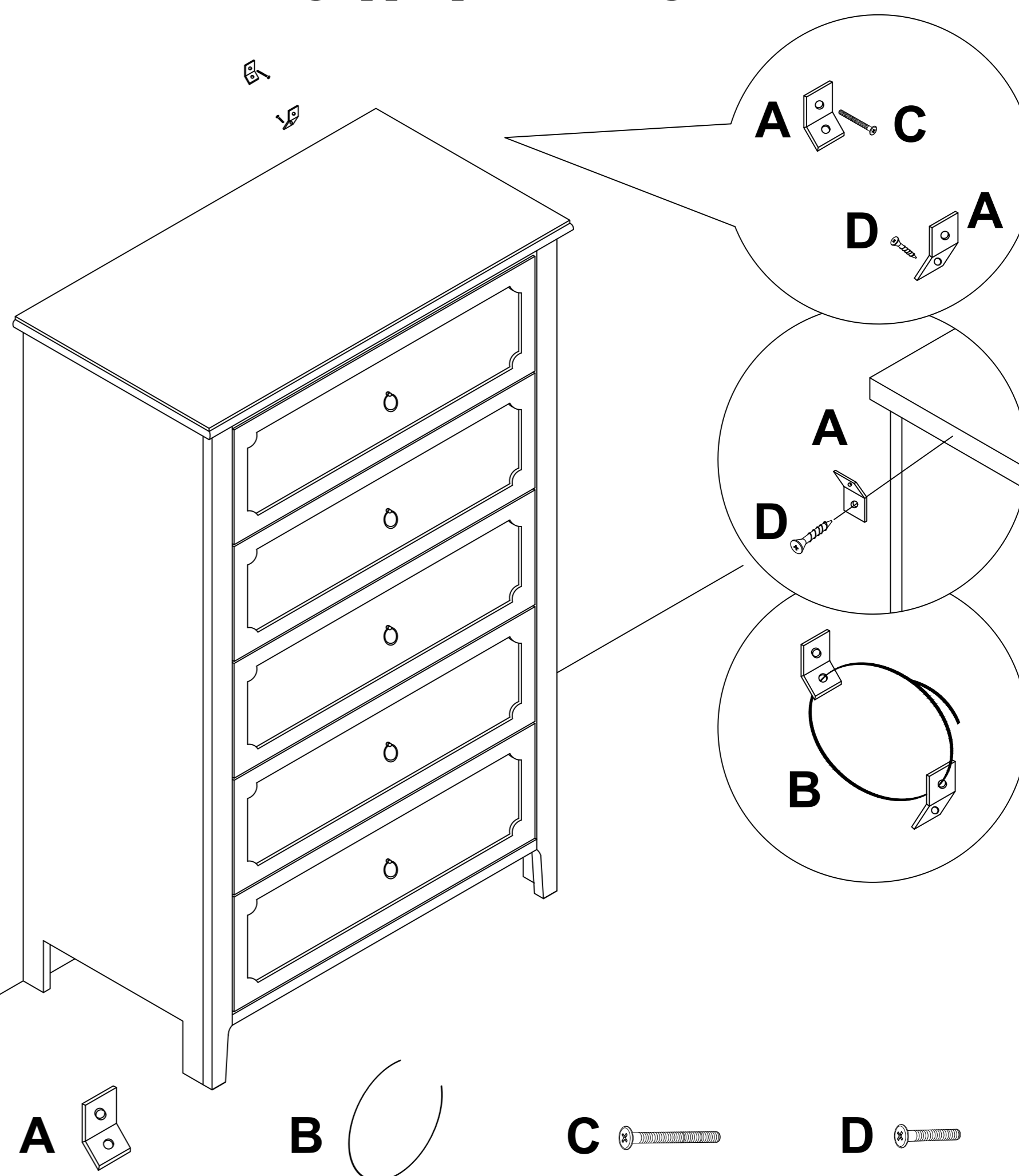
Thank you for purchasing this quality product. Be sure to check all packing material carefully for small part that may have come loose inside carton during shipment.

Step 8 : Insert the drawer box.



ANCHORING CHEST

To anchor your chest, use the anchor kit as seen in the diagram below. Choose a suitable wall fixing that matches your wall style and then fasten the strap to the wall as shown using appropriate fixings.



Completed assembly.

