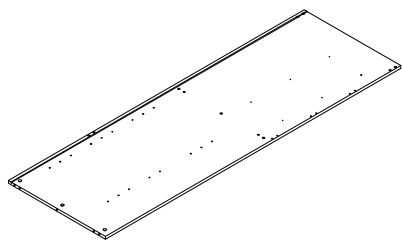


<p>O</p> 01 02 03 04 <p>2PCS</p>	<p>H</p> <p>12PCS</p>	<p>A</p> <p>24PCS</p>
<p>I</p> <p>3PCS</p>	<p>I2</p> <p>11</p> <p>400mm</p>	<p>B</p> <p>24PCS</p>
<p>J</p> <p>12PCS</p>	<p>3.5*30</p>	<p>C</p> <p>8*40</p> <p>8PCS</p>
<p>K</p> <p>10PCS</p>	<p>D</p> <p>64PCS</p>	
<p>L</p> <p>10PCS</p>	<p>3*12</p>	<p>E</p> <p>64PCS</p>
<p>M</p> <p>30PCS</p>	<p>3.5*14</p>	<p>F</p> <p>18PCS</p> <p>6*30</p>
<p>N</p> <p>12PCS</p>	<p>3.5*12</p>	<p>G</p> <p>3PCS</p>

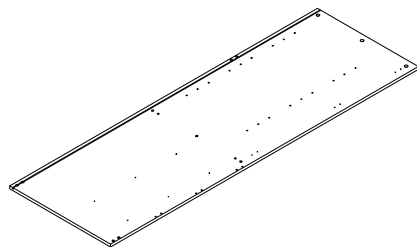
X3

1



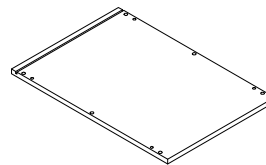
1785*585 1PS

2



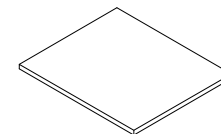
1785*585 1PS

3



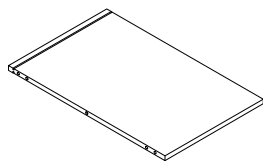
400*585 1PS

4



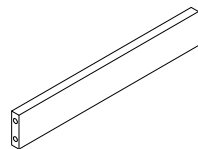
366*429 3PS

5



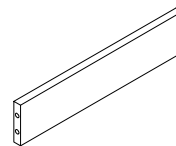
368*585 1PS

6



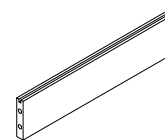
368*60 1PS

7



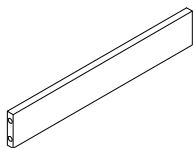
368*80 1PS

8



368*80 1PS

9



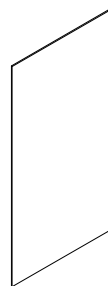
368*60 3PS

10



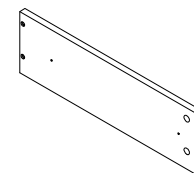
994*378 1PS

11



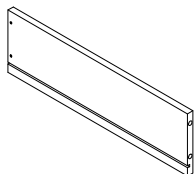
714*378 1PS

12



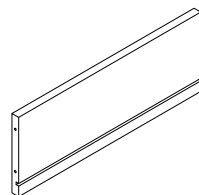
400*120 3PS

13



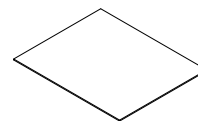
400*120 3PS

14



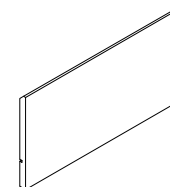
318*120 3PS

15



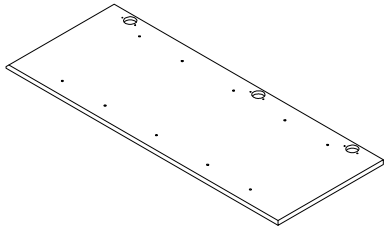
326*396 3PS

16



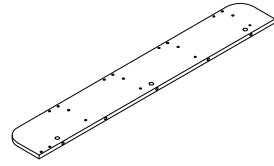
394*205 3PS

17



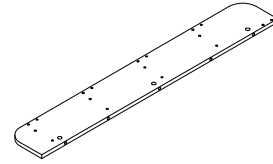
1018*394 1PS

18



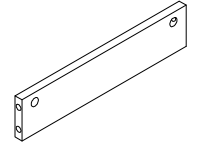
883*130 1PS

19



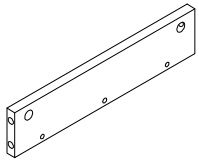
883*130 1PS

20



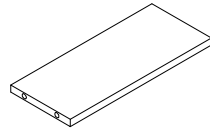
277*60 1PS

21

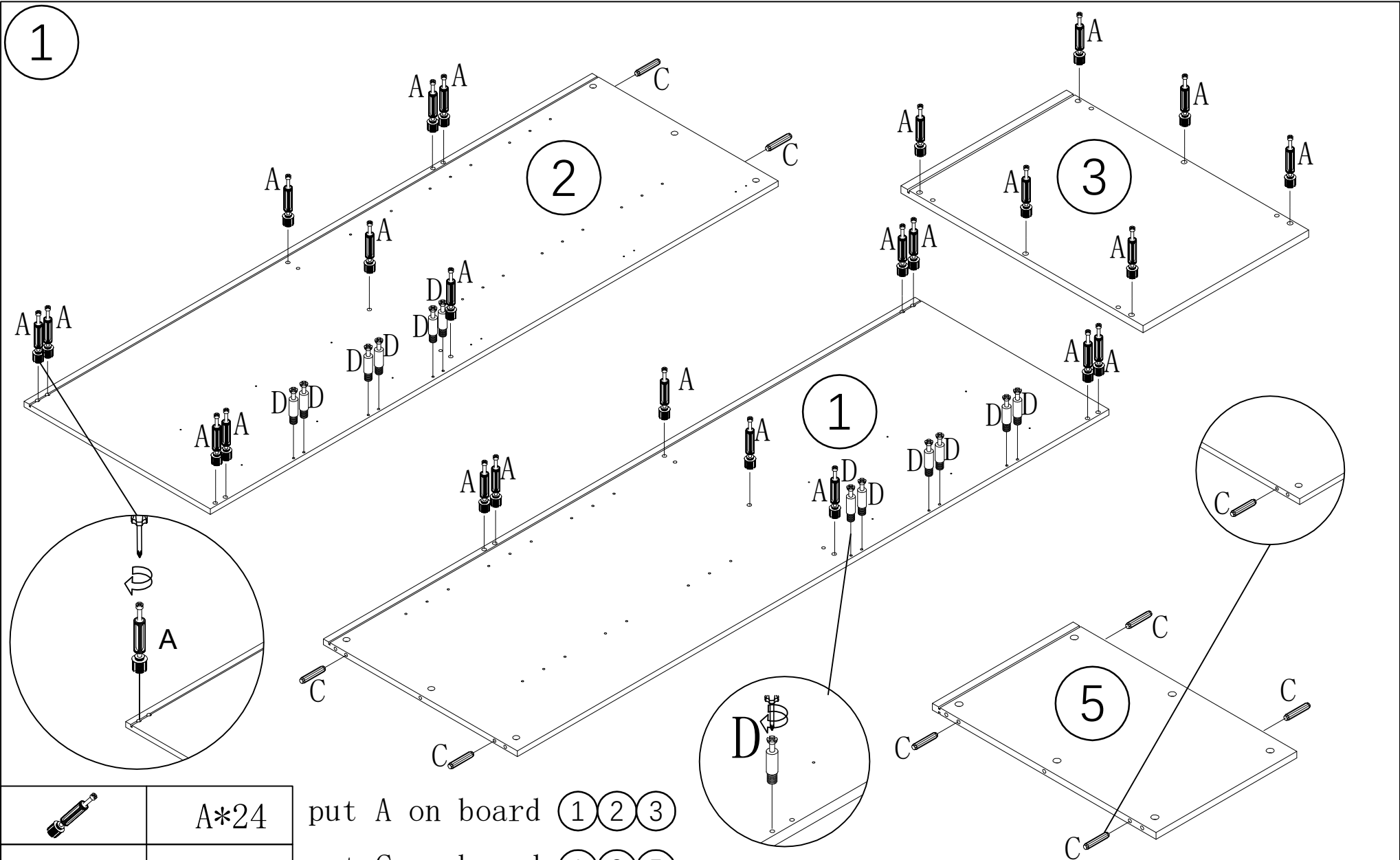





277*60 4PS

22



277*117 4PS



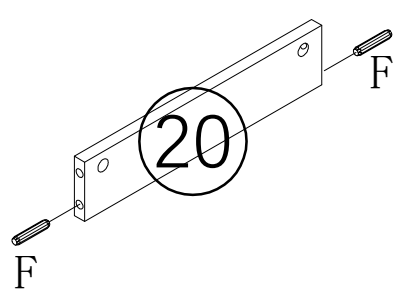
	A*24
	C*8
	D*12

put A on board (1)(2)(3)

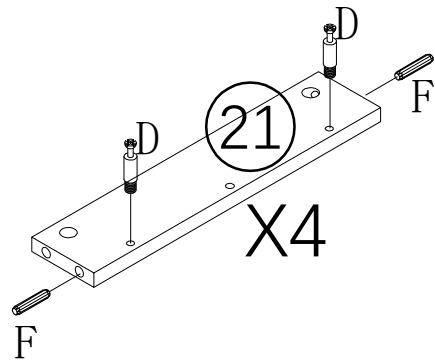
put C on board (1)(2)(5)

put D on board (1)(2)

2

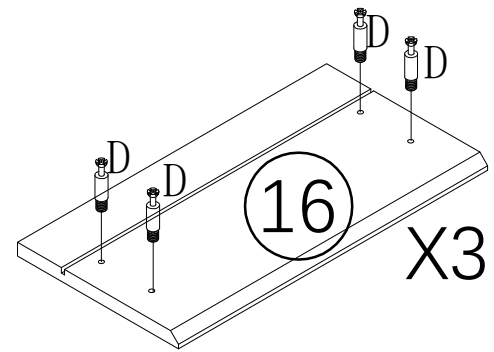


20



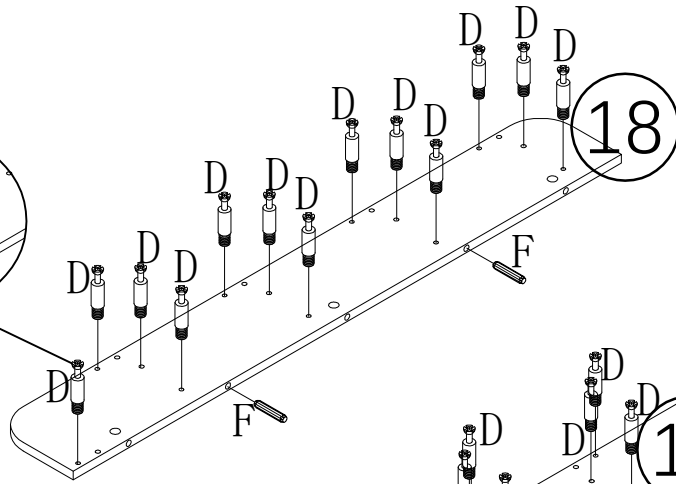
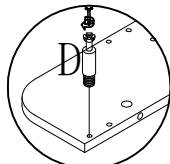
21

X4

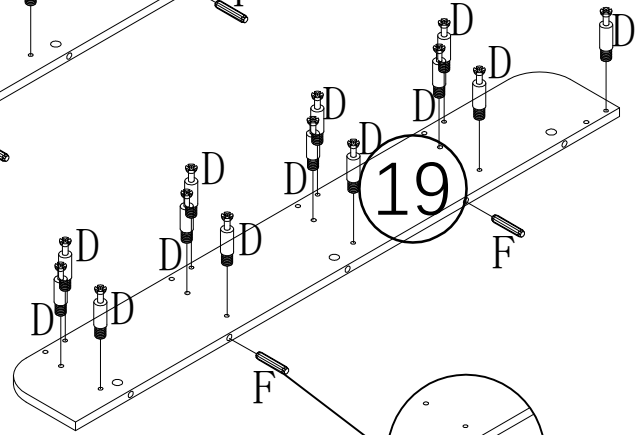


16

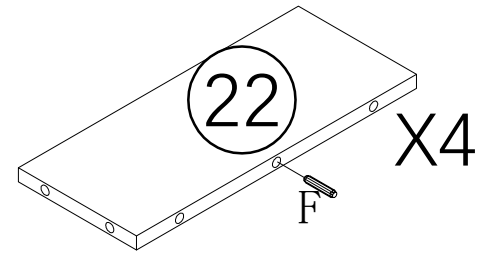
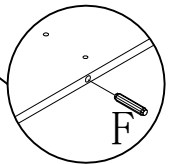
X3



18

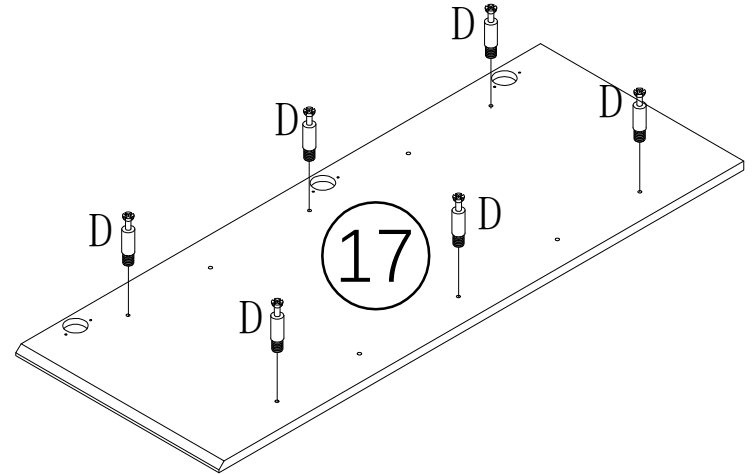


19



22

X4



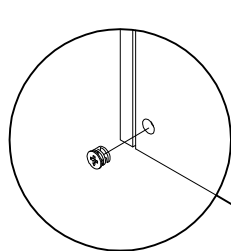
17

	F*18
	D*52

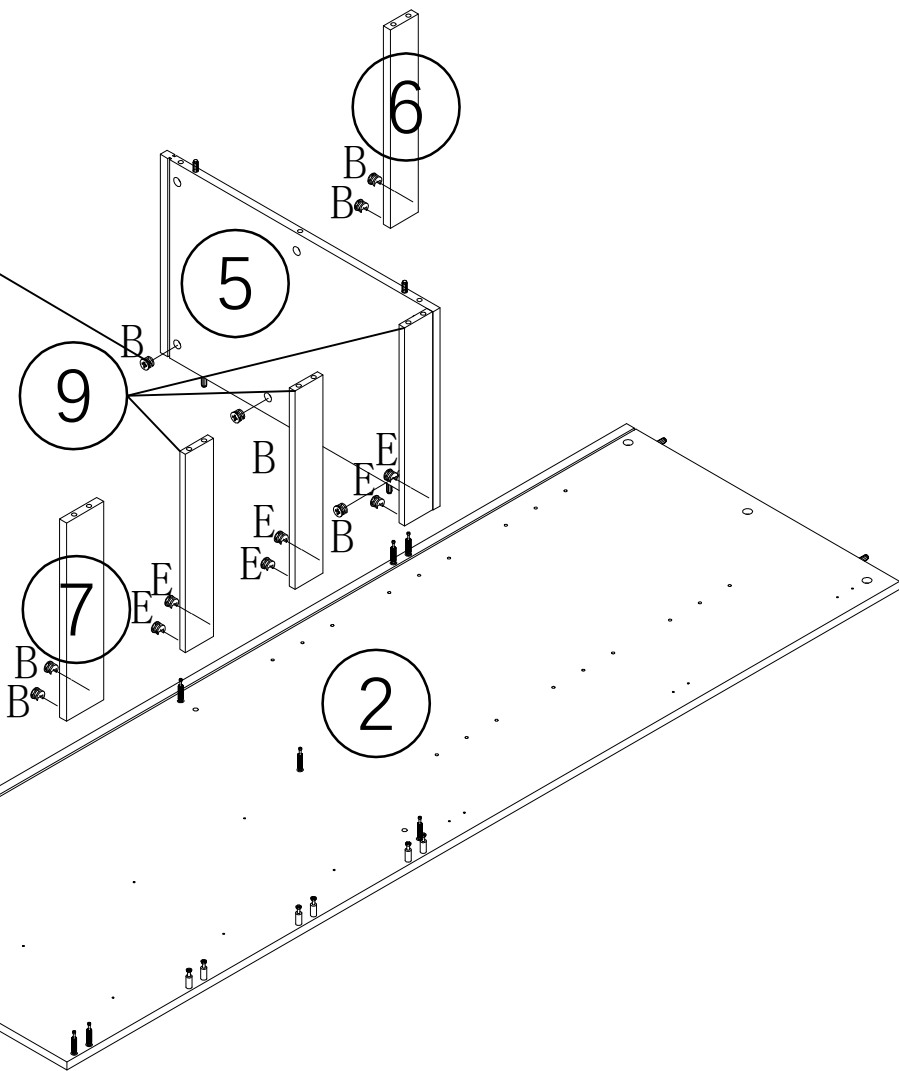
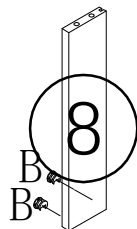
put F on board (18)(19)(20)(21)(22)

put D on board (16)(17)(18)(19)(21)

3



Make sure the arrow on the screw align to the hole on the side.



B*9

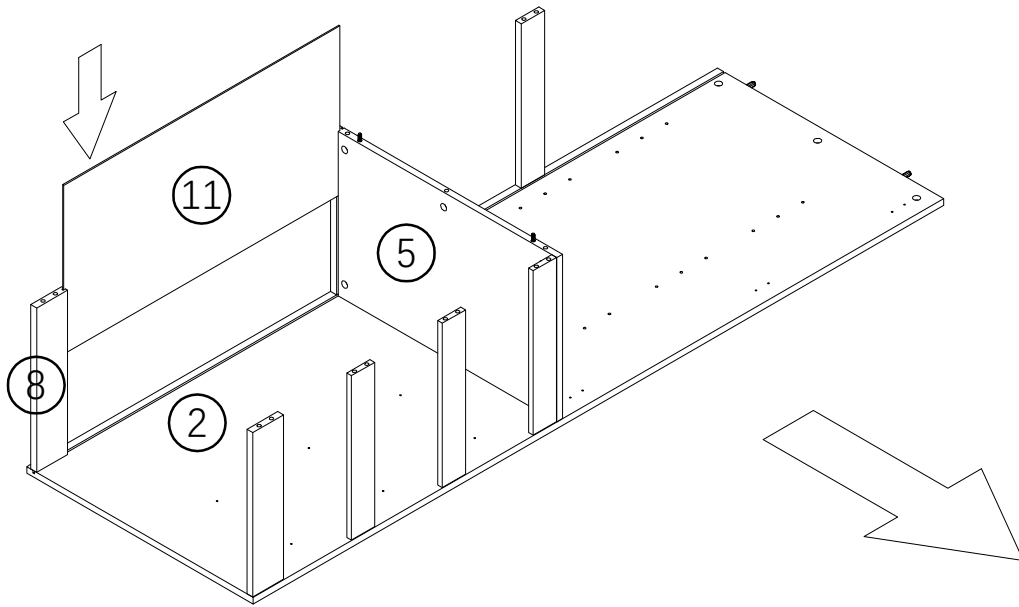
put B on board (5)(6)(7)(8)



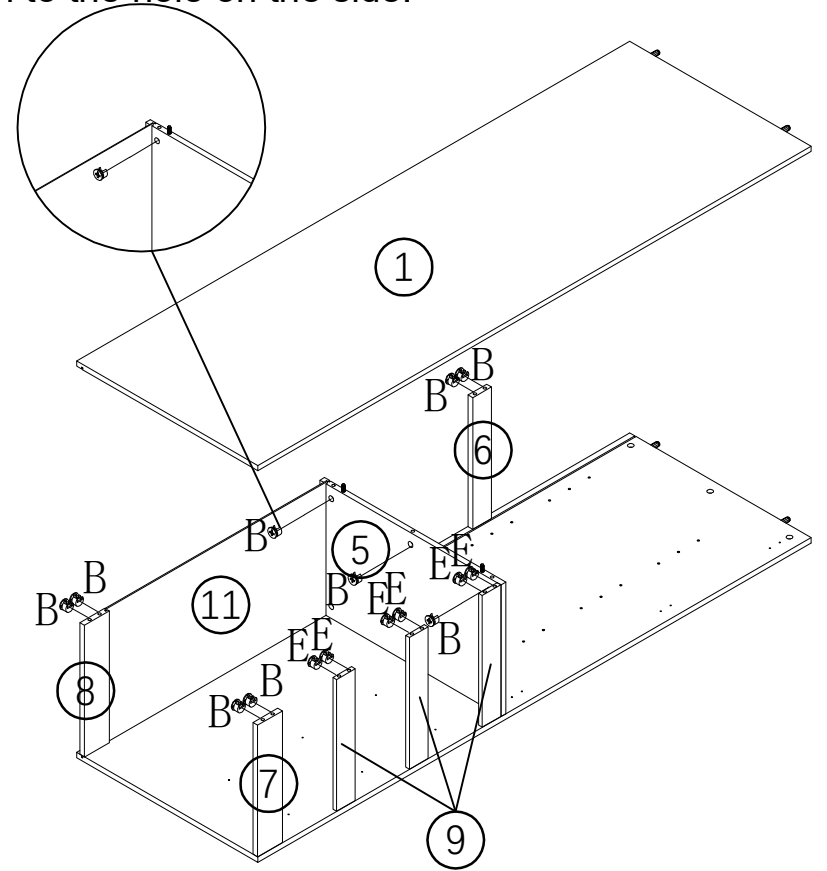
E*6



put E on board (9)

4



Make sure the arrow on the screw align to the hole on the side.

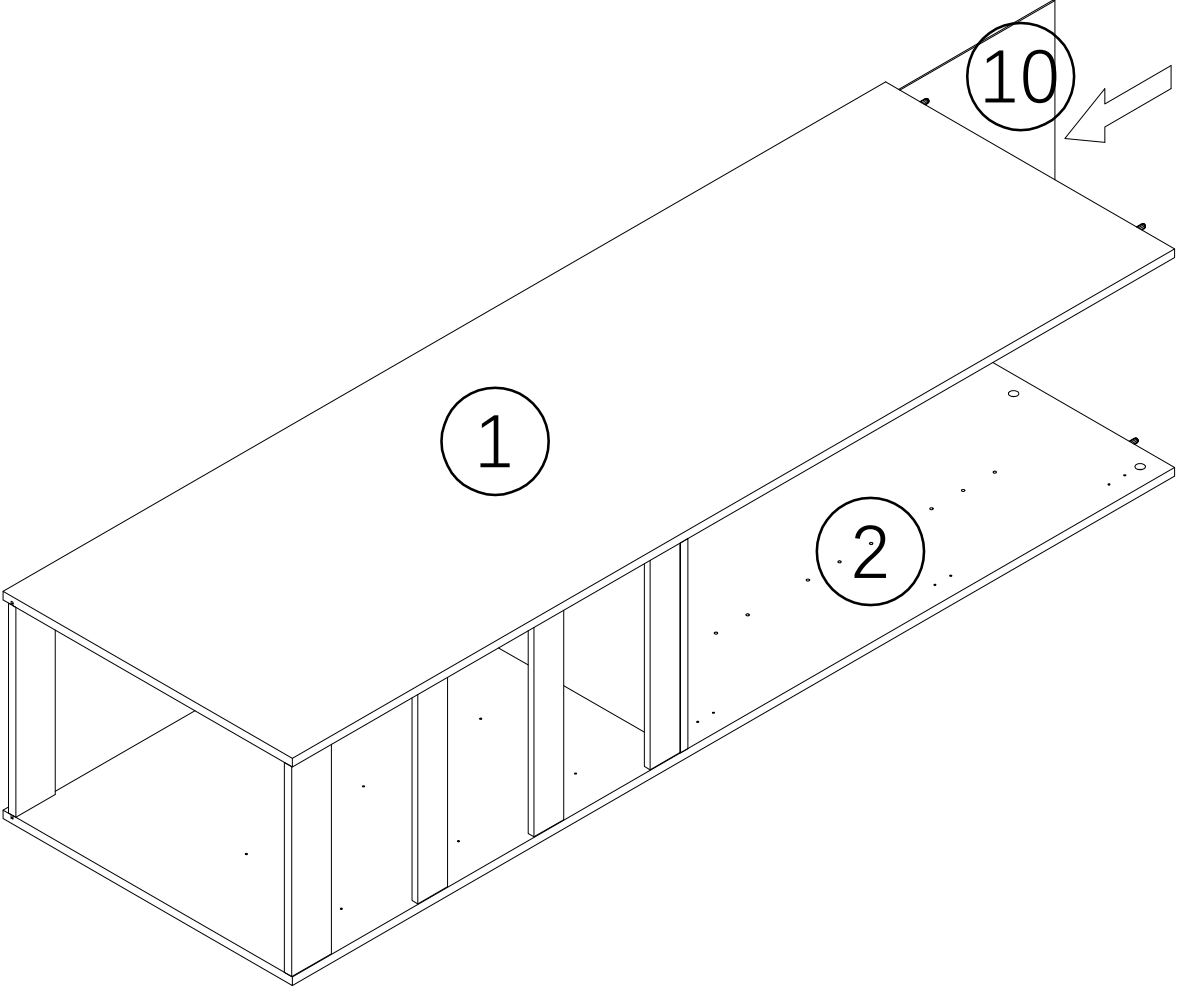


	B*9
	E*6

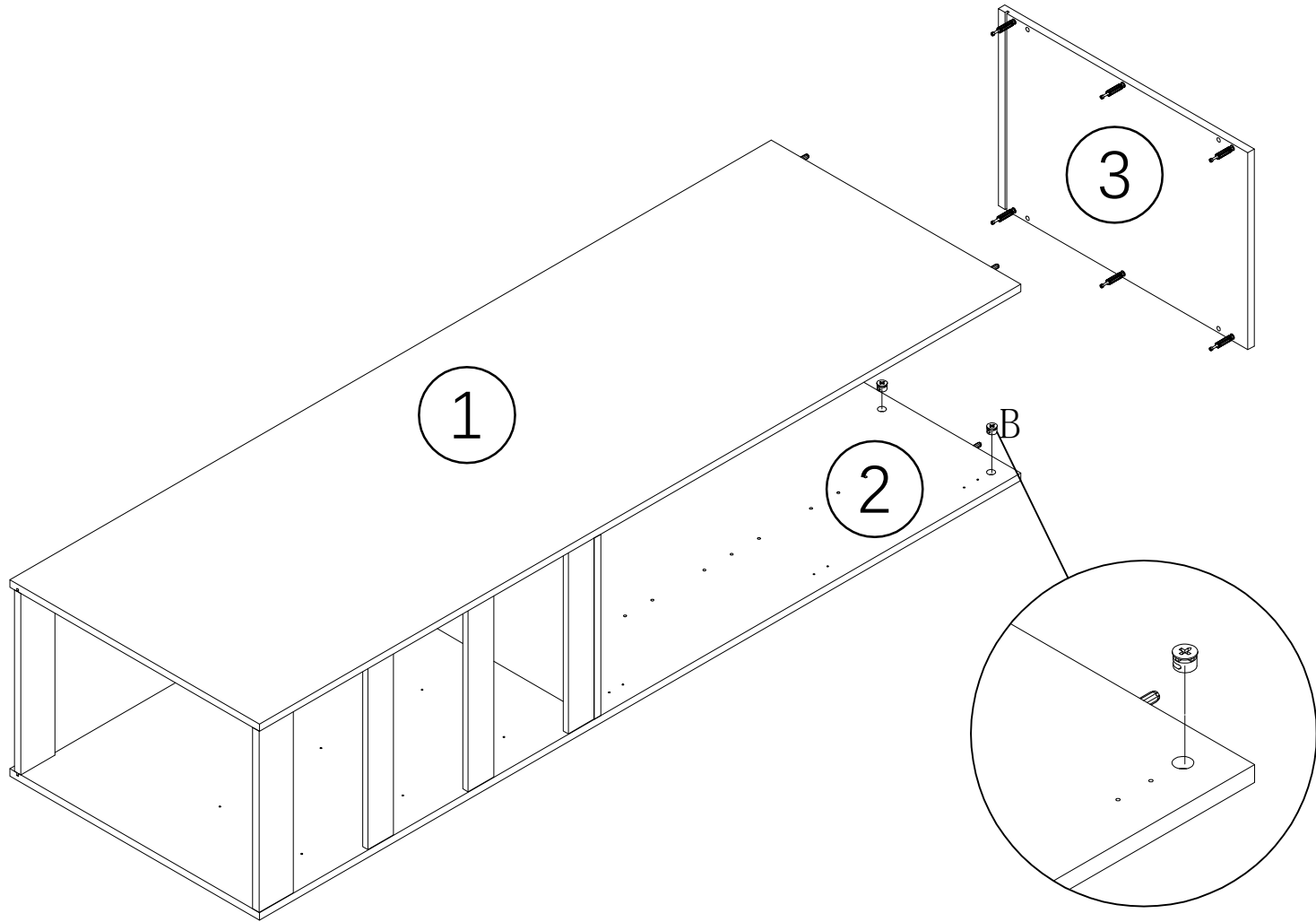
put B on board (5)(6)(7)(8)

put E on board (9)

5



6



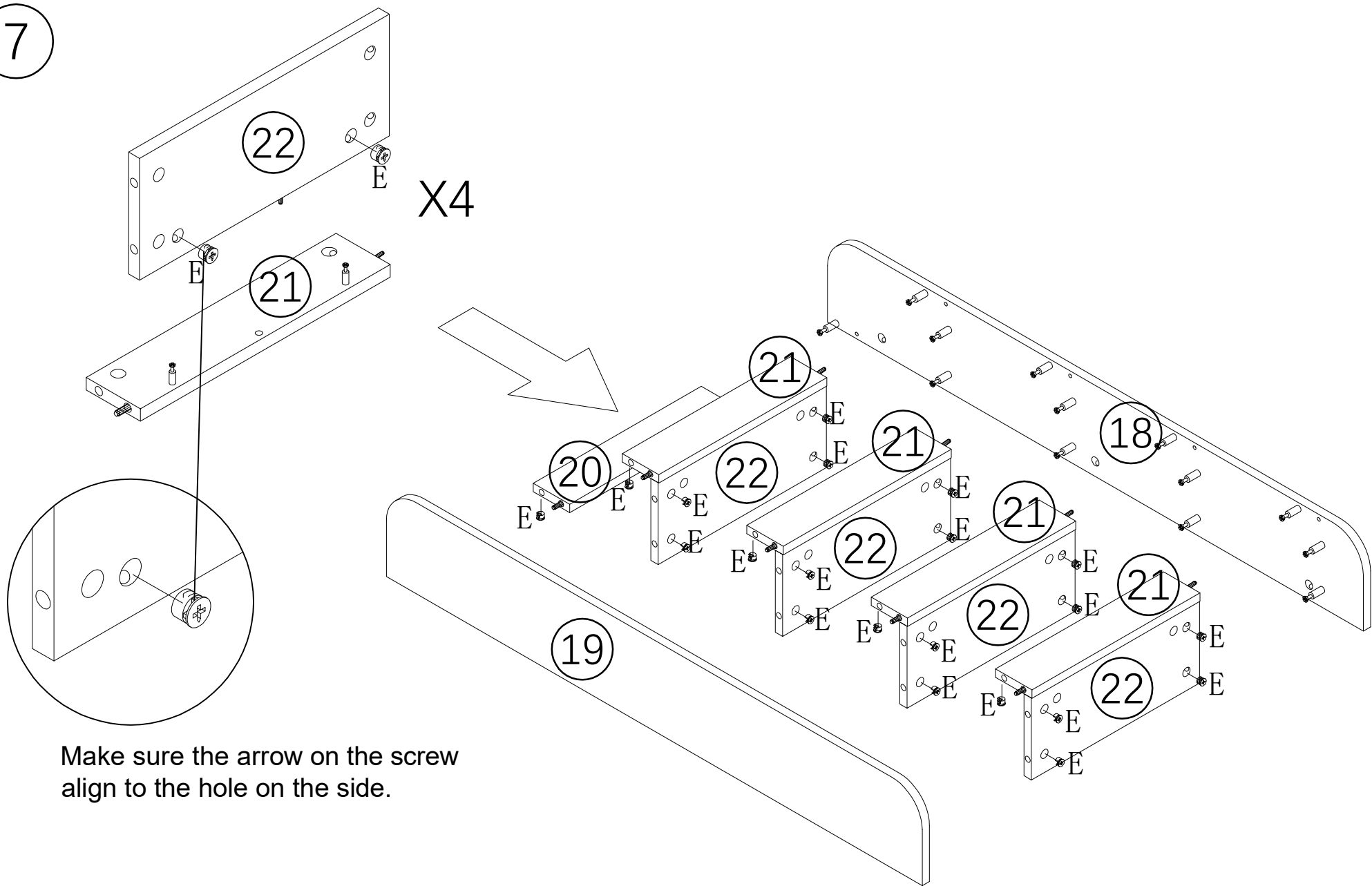
Make sure the arrow on the screw align to the hole on the side.



B*6

put B on board 1 2

7

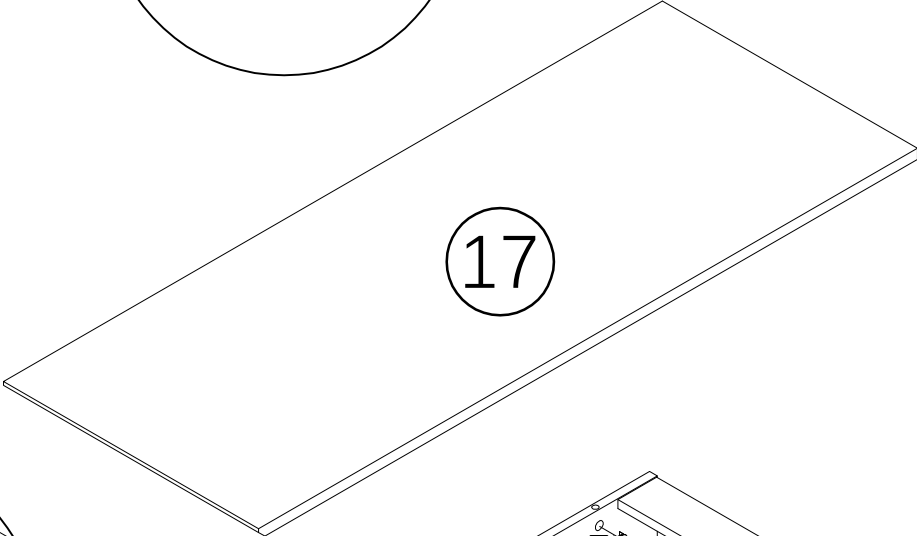
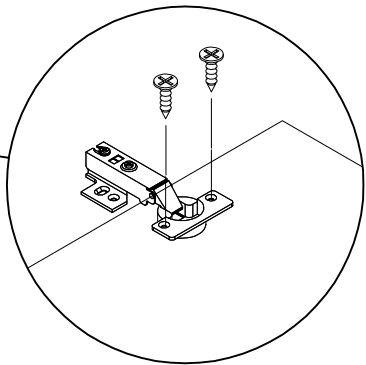
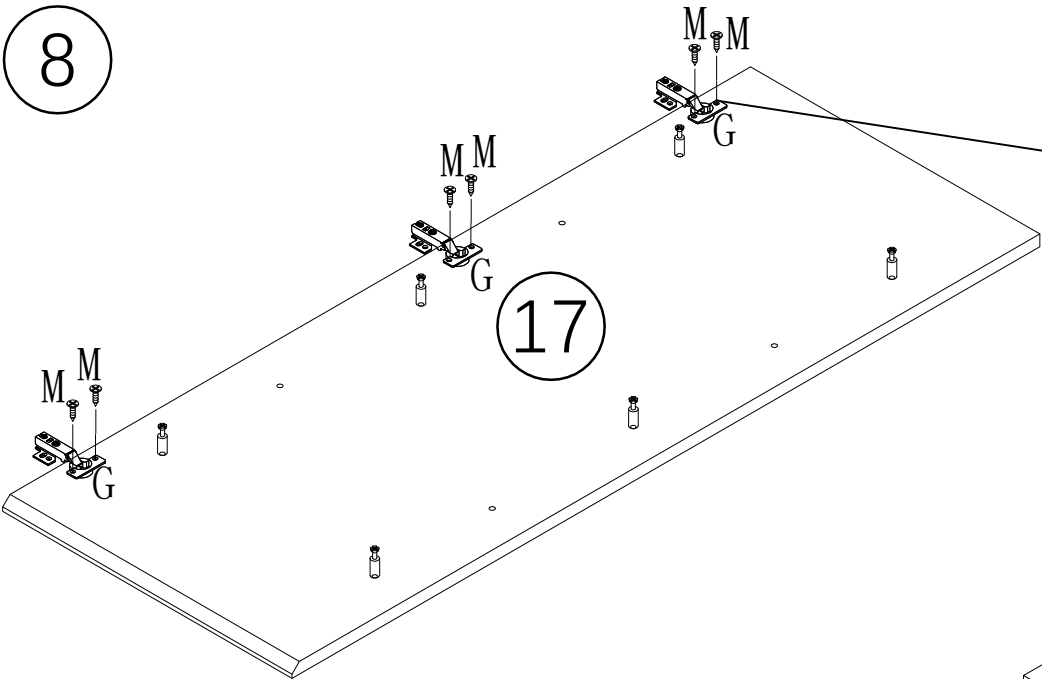


Make sure the arrow on the screw align to the hole on the side.

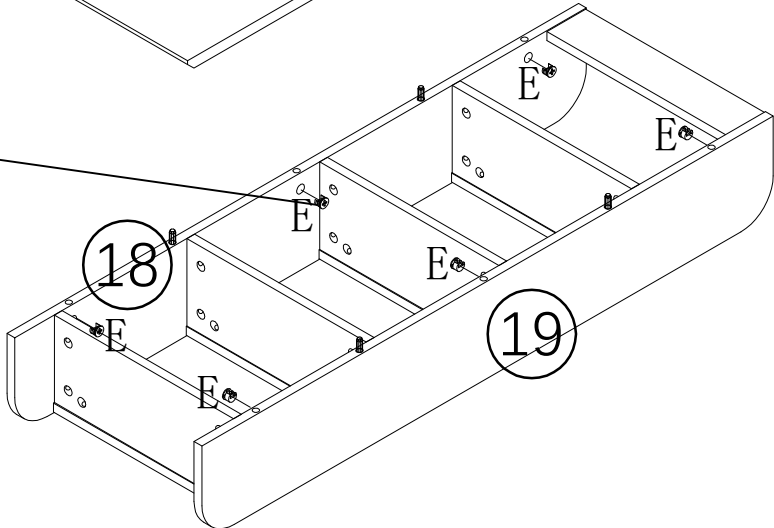
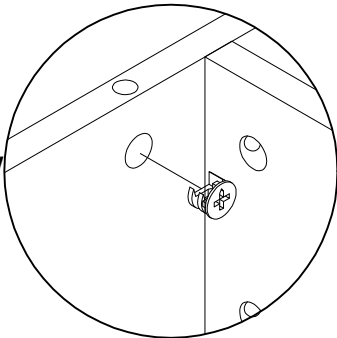





E*34 put E on board 20 21 22

8



Make sure the arrow on the screw align to the hole on the side.



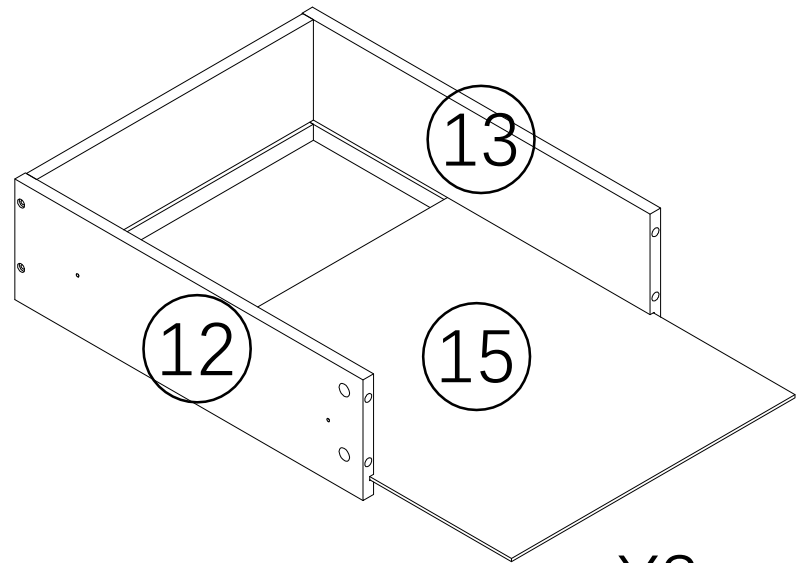
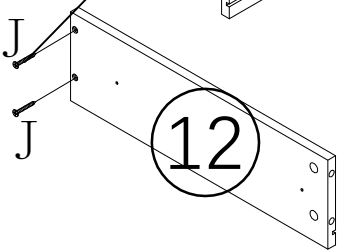
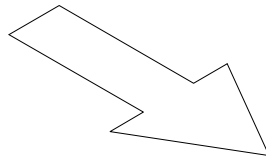
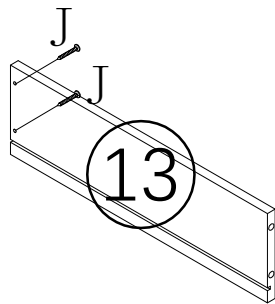
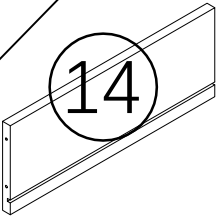
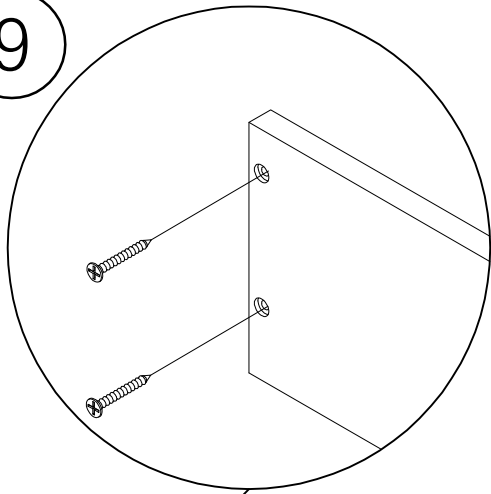
	E*6
	G*3
	M*6

put E on board 18 19

put G on board 17

put M on board 17

9



X3

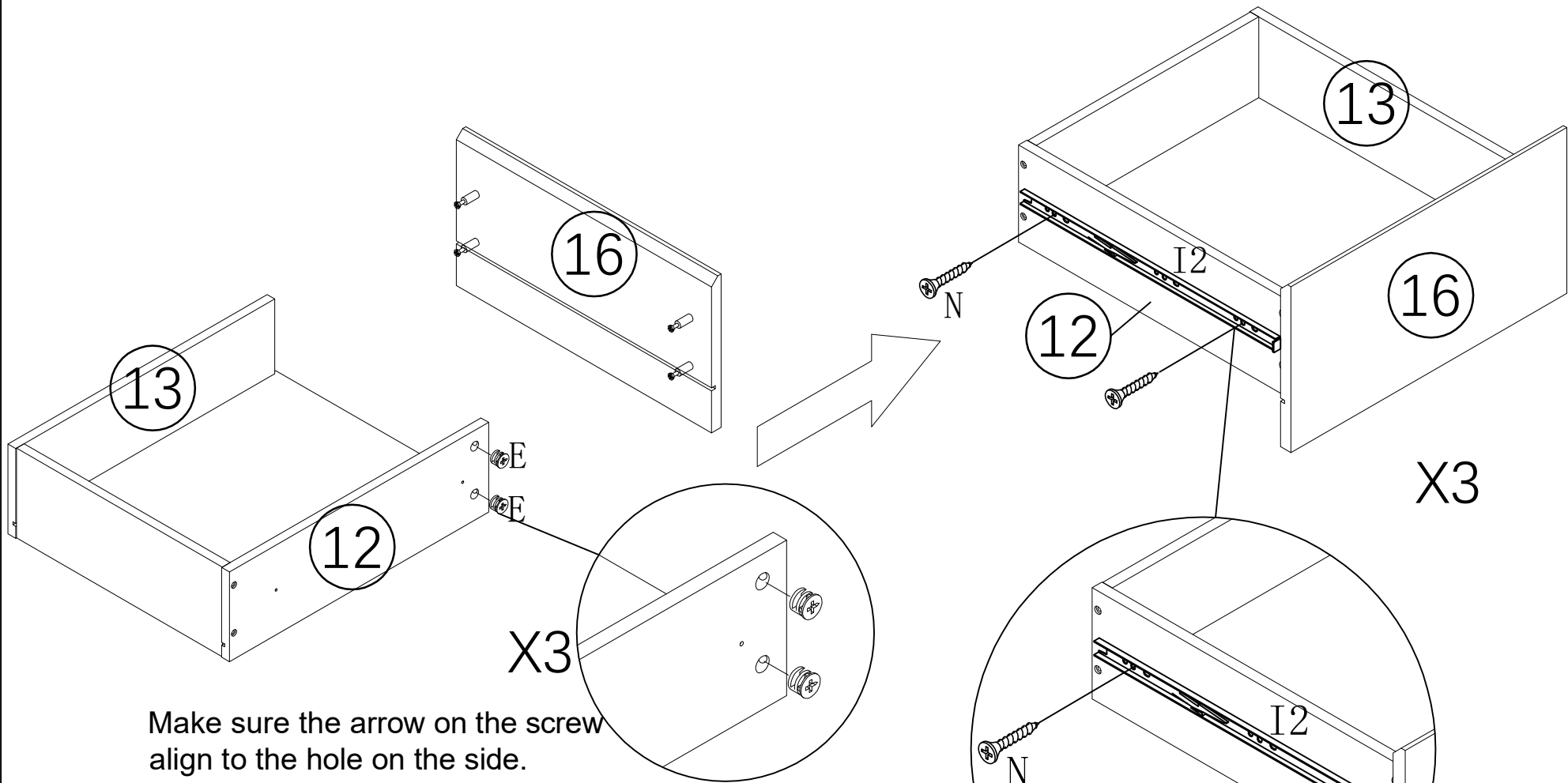
X3






J*12

put J on board (12)(13)

10



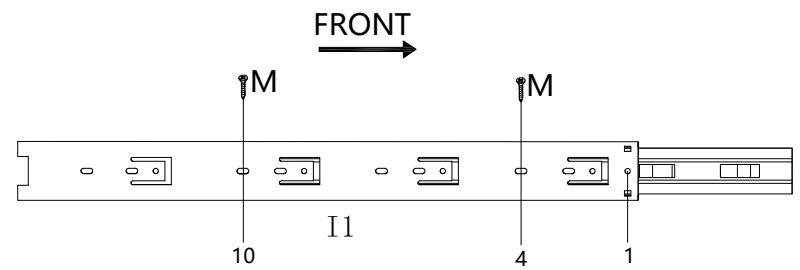
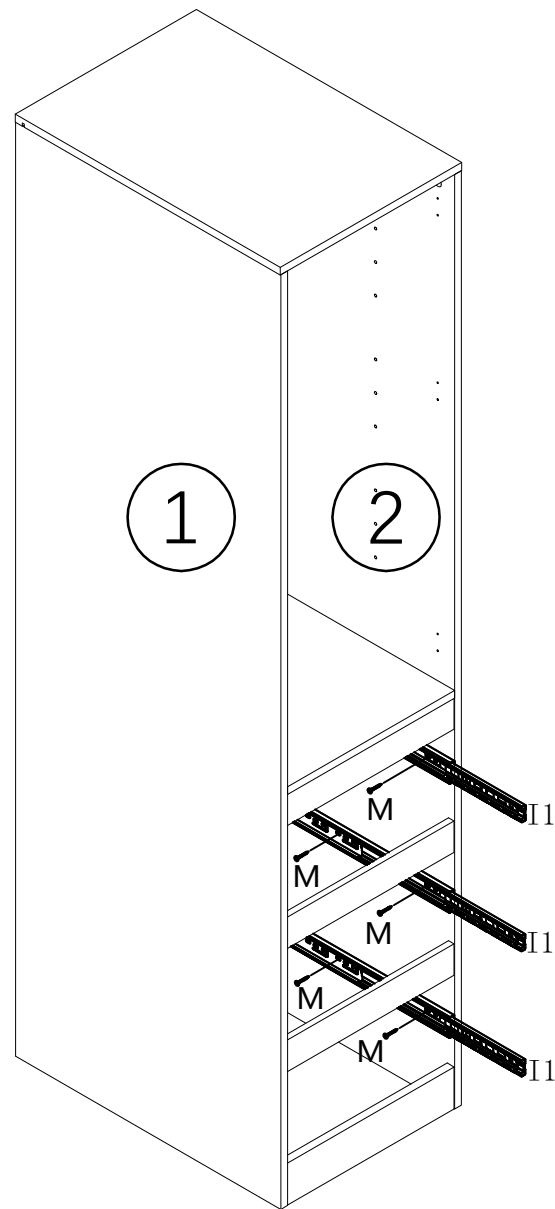
	E*12
	N*12
	I2*6



put E on board (12)(13)

put N on board (12)(13)

put I2 on board(12)(13)

11

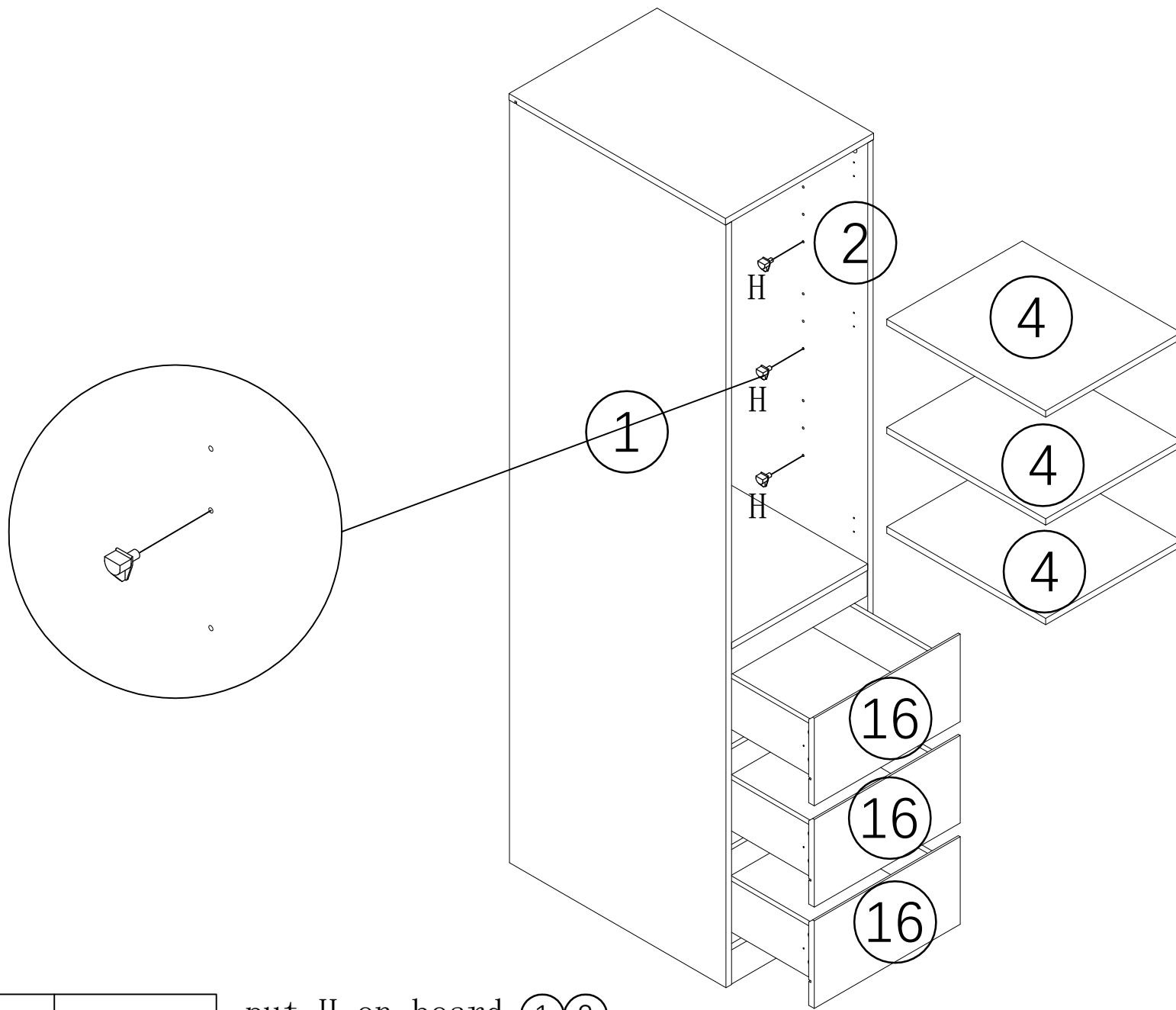


	M*12
	I1*6

put M on board ① ②

put I1 on board ① ②

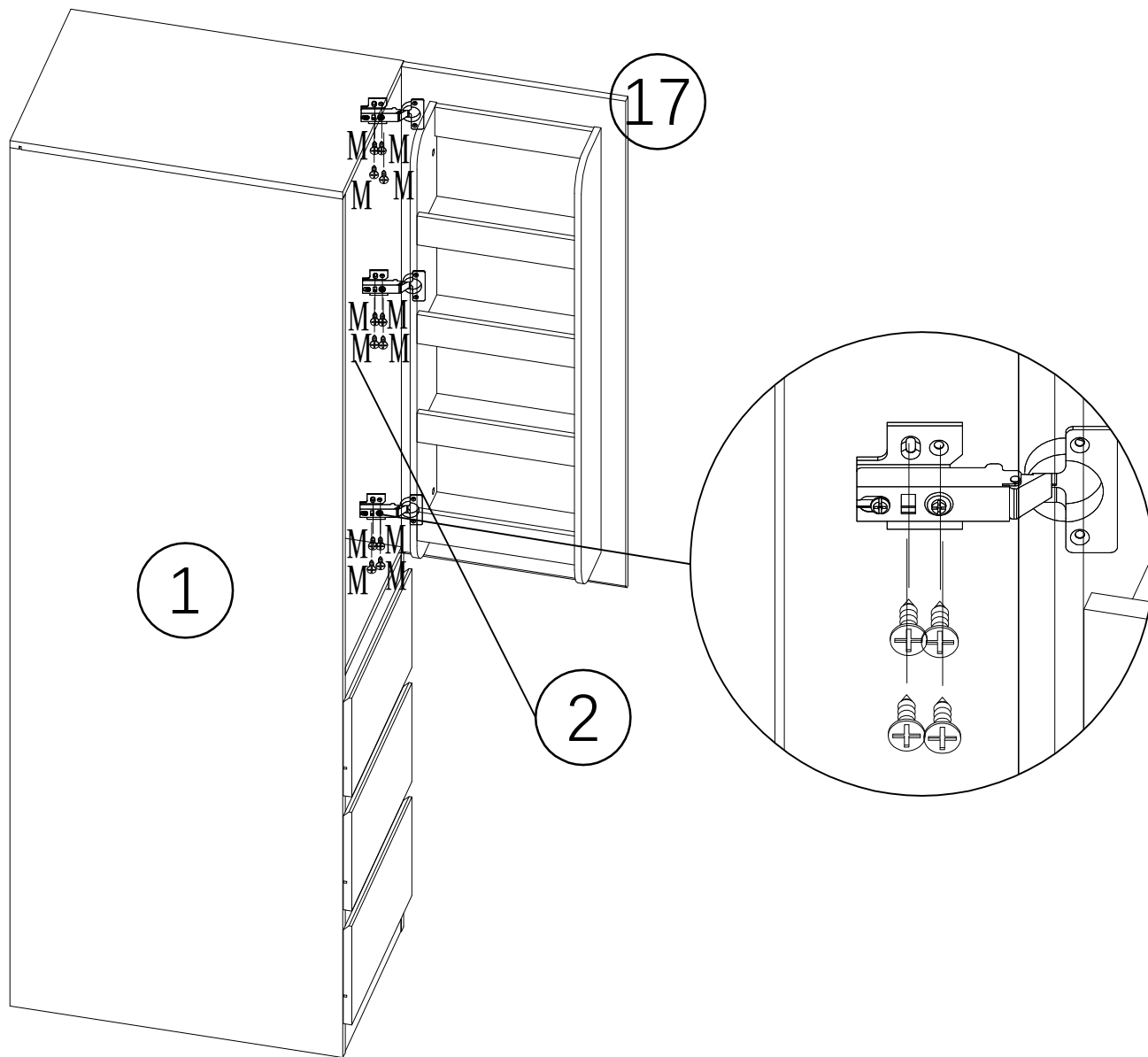
12



H*12

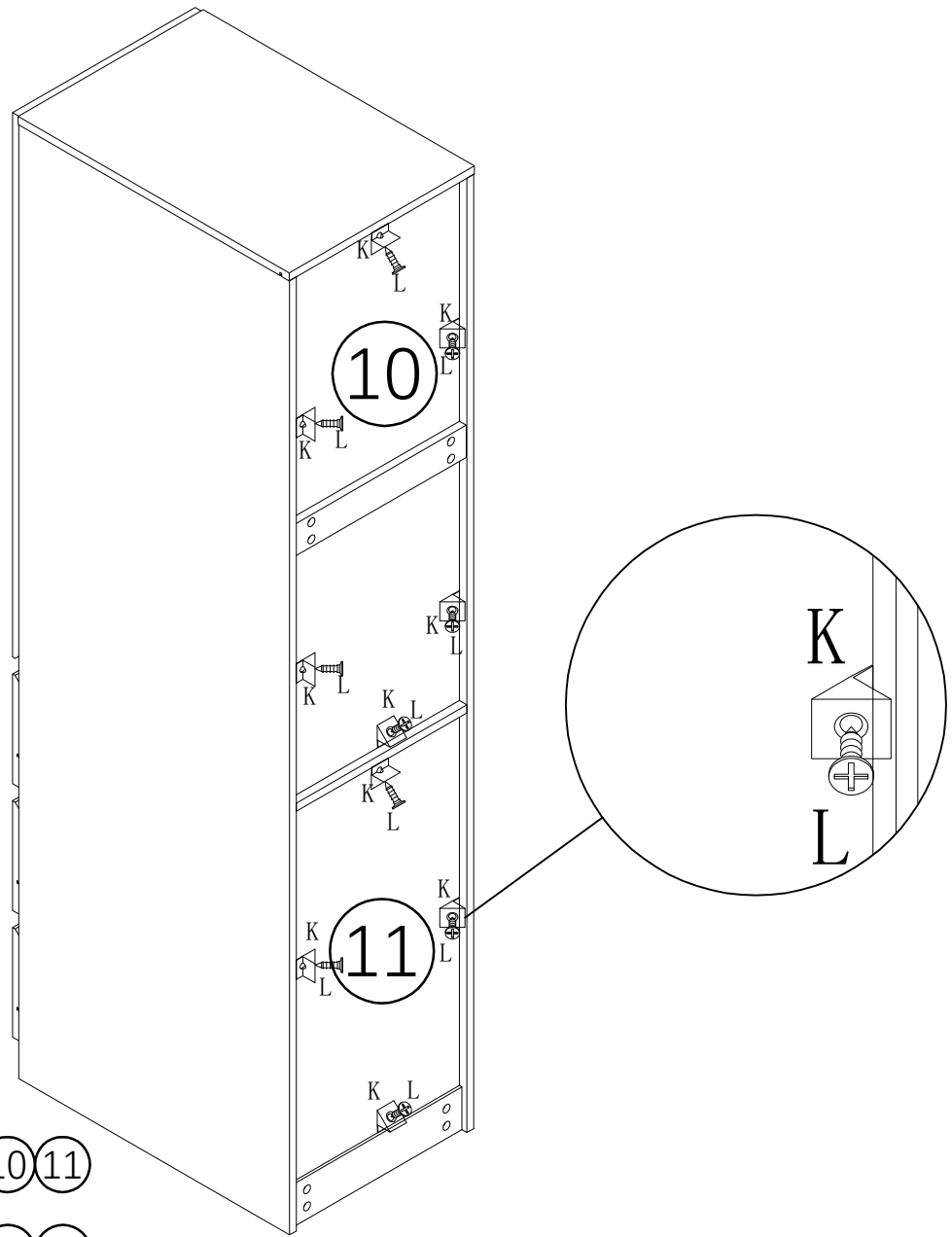
put H on board 1 2


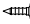
13



M*12 put M on board (2)

14

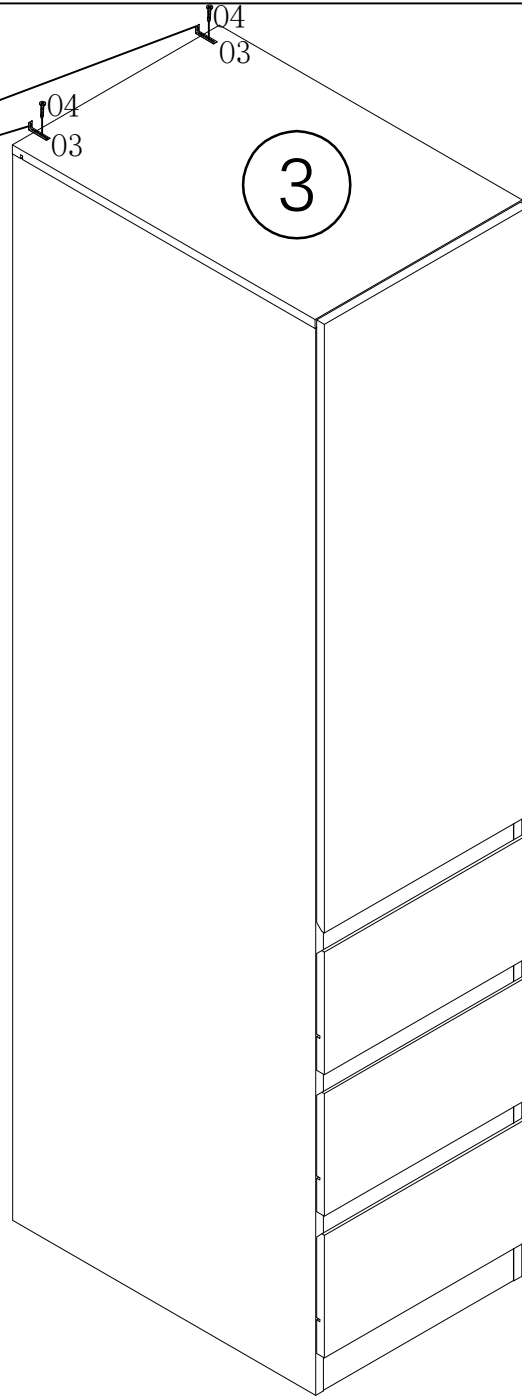
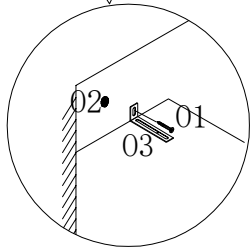
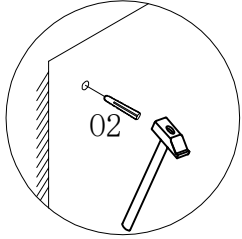
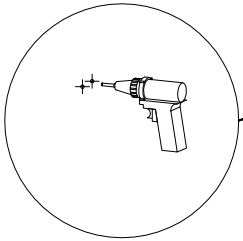


	K*10
	L*10

put K on board (10)(11)

put L on board (10)(11)

15



— 01 03
— 02 04

0*2