

U L T R A POP-UP DRAIN ASSEMBLY

- *Pop-up drain with lift rod*

STANDARD SPECIFICATIONS

- All-metal construction
- With overflow

FINISHES INCLUDE

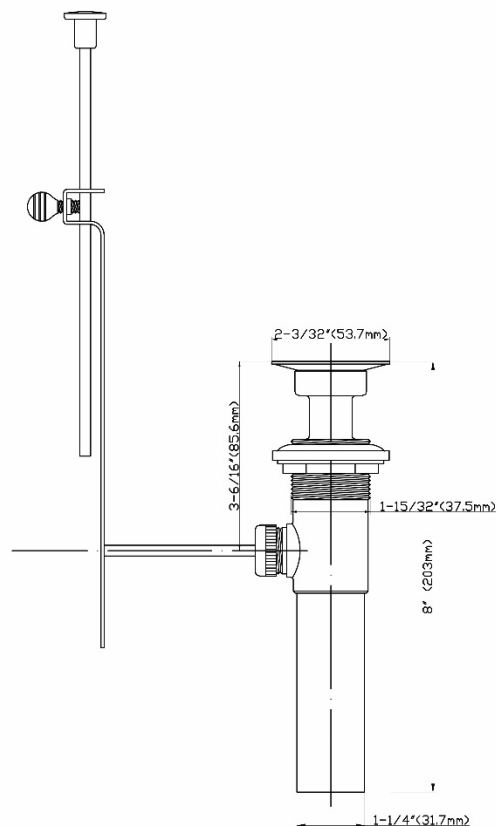
- Chrome (UFP-1001)
- Brushed Nickel (UFP-1301)
- Oil Rubbed Bronze (UFP-1501)

WARRANTY

- Five year limited warranty on workmanship and materials to the original purchaser

COMPLIES WITH

- ASME A112.18.1-2012
- CSA B125.1-12



tel. 888-OK-ULTRA (658-5872) • fax. 949-252-9989 • <http://www.ultrafaucets.com>

This specification is provided for reference only. Ultra Faucets reserves the right to modify specifications and materials without notice or obligation.