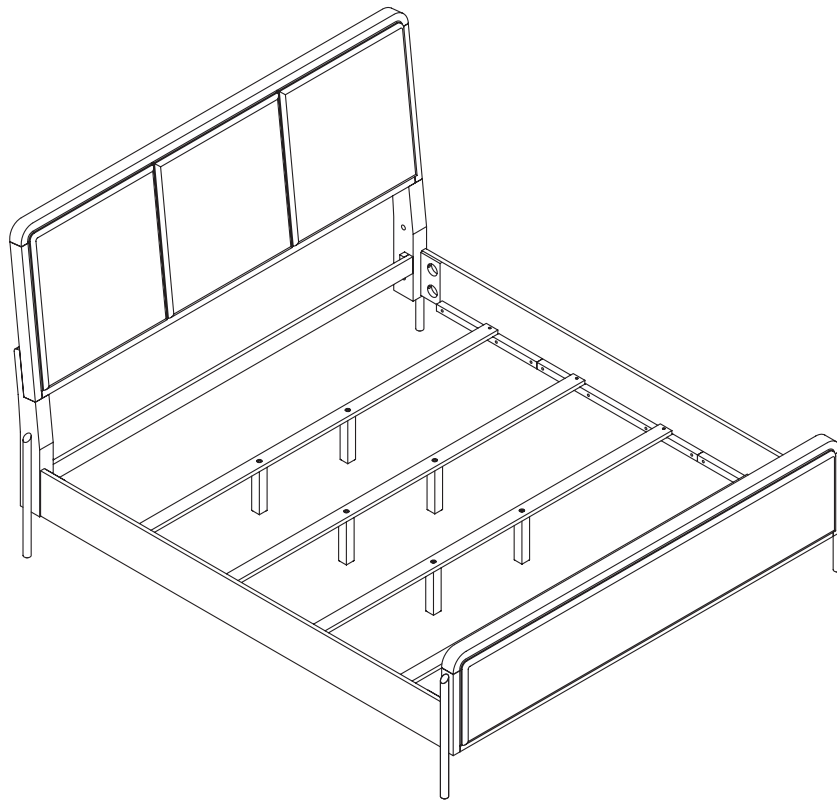


ASSEMBLY INSTRUCTIONS



Fine Furniture for every stage of life

(B1-B3)
Eastern King Bed

ASSEMBLY INSTRUCTIONS

ASSEMBLY TIPS:

1. Remove hardware from box and sort by size.
2. Please check to see that all hardware and parts are present prior to start of assembly.
3. Please follow attached instructions in the same sequence as numbered to assure fast & easy assembly.



WARNING!

1. Don't attempt to repair or modify parts that are broken or defective. Please contact the store immediately.
2. This product is for home use only and not intended for commercial establishments.




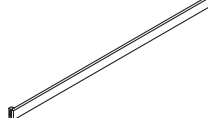


ASSEMBLY TIME

25 MINUTES

PART IDENTIFICATION

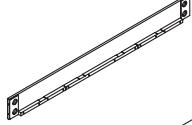
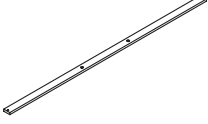

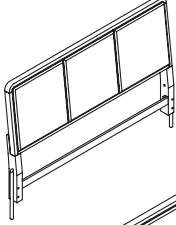
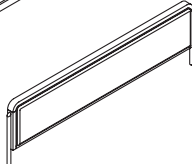
B1 (BOX 1)

A	HEADBOARD PANEL		1PC
B	LEFT HEADBOARD LEG		1PC
C	RIGHT HEADBOARD LEG		1PC
D	HEADBOARD BOTTOM RAIL		1PC

B2 (BOX 2)

E	FOOTBOARD		1PC
---	-----------	--	-----

B3 (BOX 3)

F	BED RAIL		2PCS
G	BED SLAT		4PCS
H	BED SLAT SUPPORT WITH LEVELER		8PCS
HB	HEADBOARD COMPLETE		1PC
E	FOOTBOARD*		1PC

ASSEMBLY INSTRUCTIONS

ASSEMBLY TIPS:

1. Remove hardware from box and sort by size.
2. Please check to see that all hardware and parts are present prior to start of assembly.
3. Please follow attached instructions in the same sequence as numbered to assure fast & easy assembly.

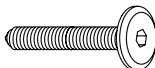
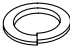


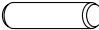


WARNING!






1. Don't attempt to repair or modify parts that are broken or defective. Please contact the store immediately.
2. This product is for home use only and not intended for commercial establishments.

HARDWARE IDENTIFICATION

Z-B1 (BOX 1) - HARDWARE PACK IS LOCATED IN (B1)

1	BOLT (5/16" x 45mm - BLK)		8PCS
2	LOCK WASHER (1.6 x 14mm - BLK)		8PCS
3	FLAT WASHER (1 x 18mm - BLK)		8PCS
4	ALLEN WRENCH (M5 x 65mm - BLK)		1PC
5	WOOD DOWEL (10 x 30mm - BRW)		4PCS

Z-B3 (BOX 3) - HARDWARE PACK IS LOCATED IN (B3)

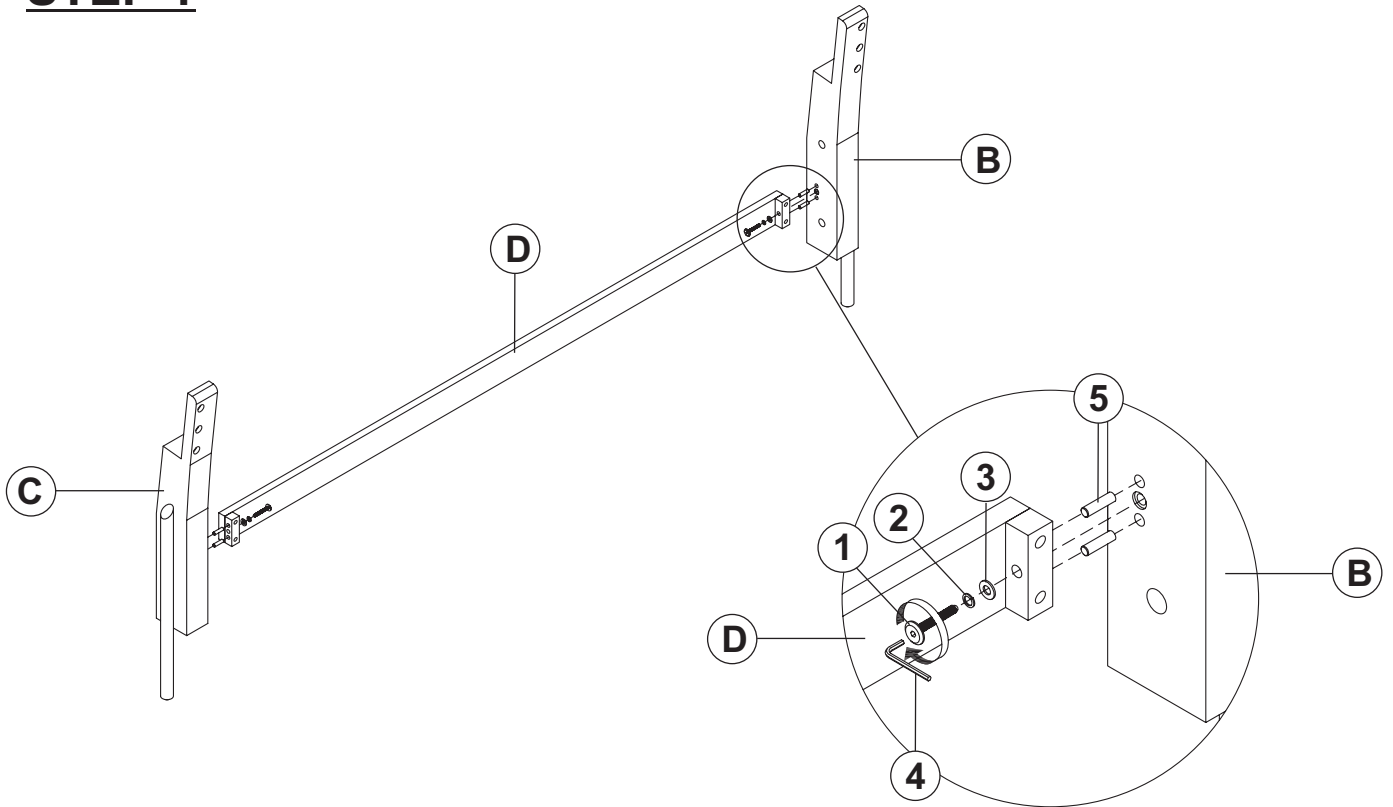
6	FLAT HEAD SCREW (8 x 38mm - BLK)		8PCS
7	THREADED BOLT (5/16" x 80mm - WHT)		8PCS
8	HEX NUT (5/16" x 100mm - WHT)		8PCS
9	HALF ROUND NUT (22 x 17 x 10mm - WHT)		8PCS
10	WRENCH (13mm - WHT)		1PC

NOTE :

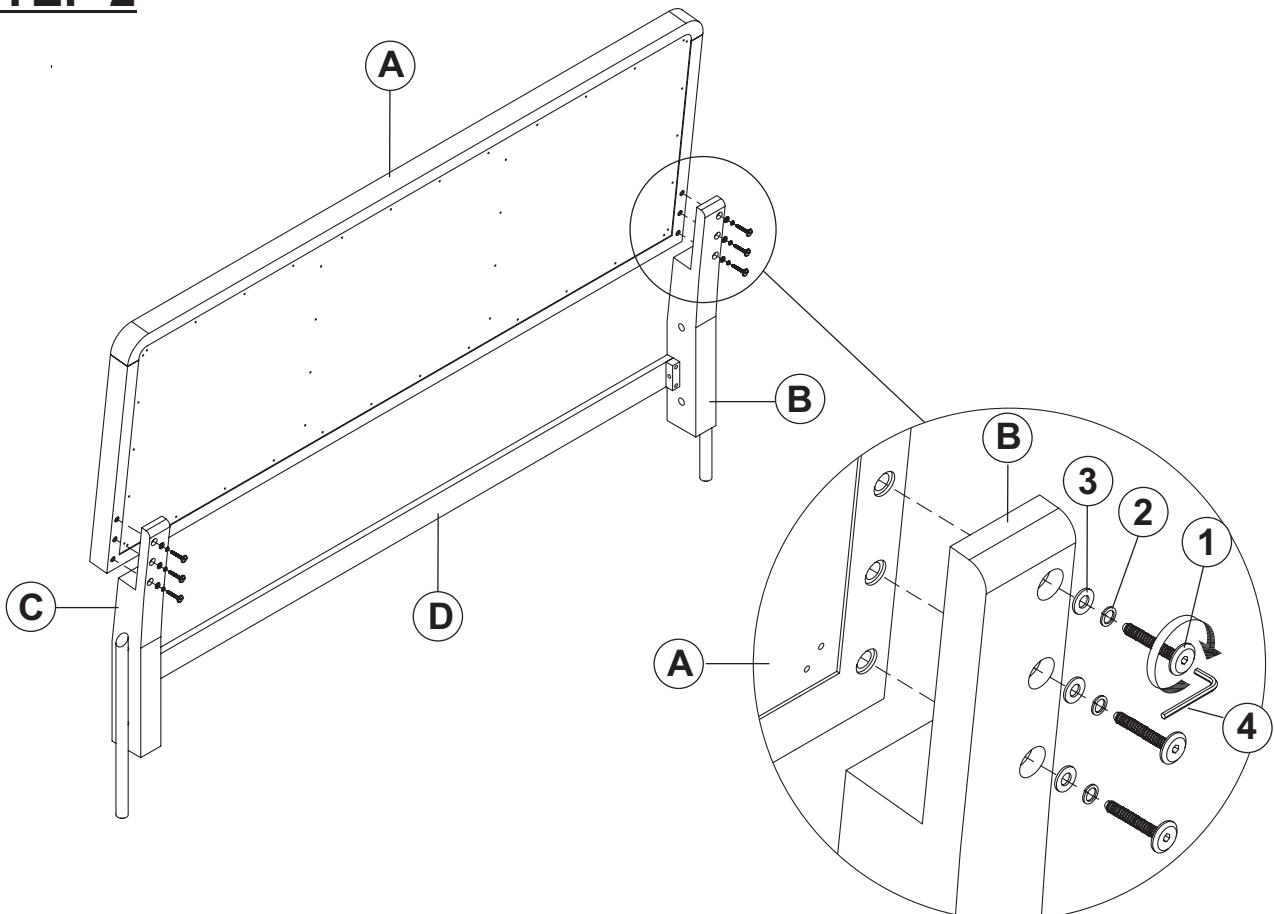
Philips head screw driver is required in the assembly process; however, manufacturer does not provide this item.

ASSEMBLY INSTRUCTIONS

STEP 1

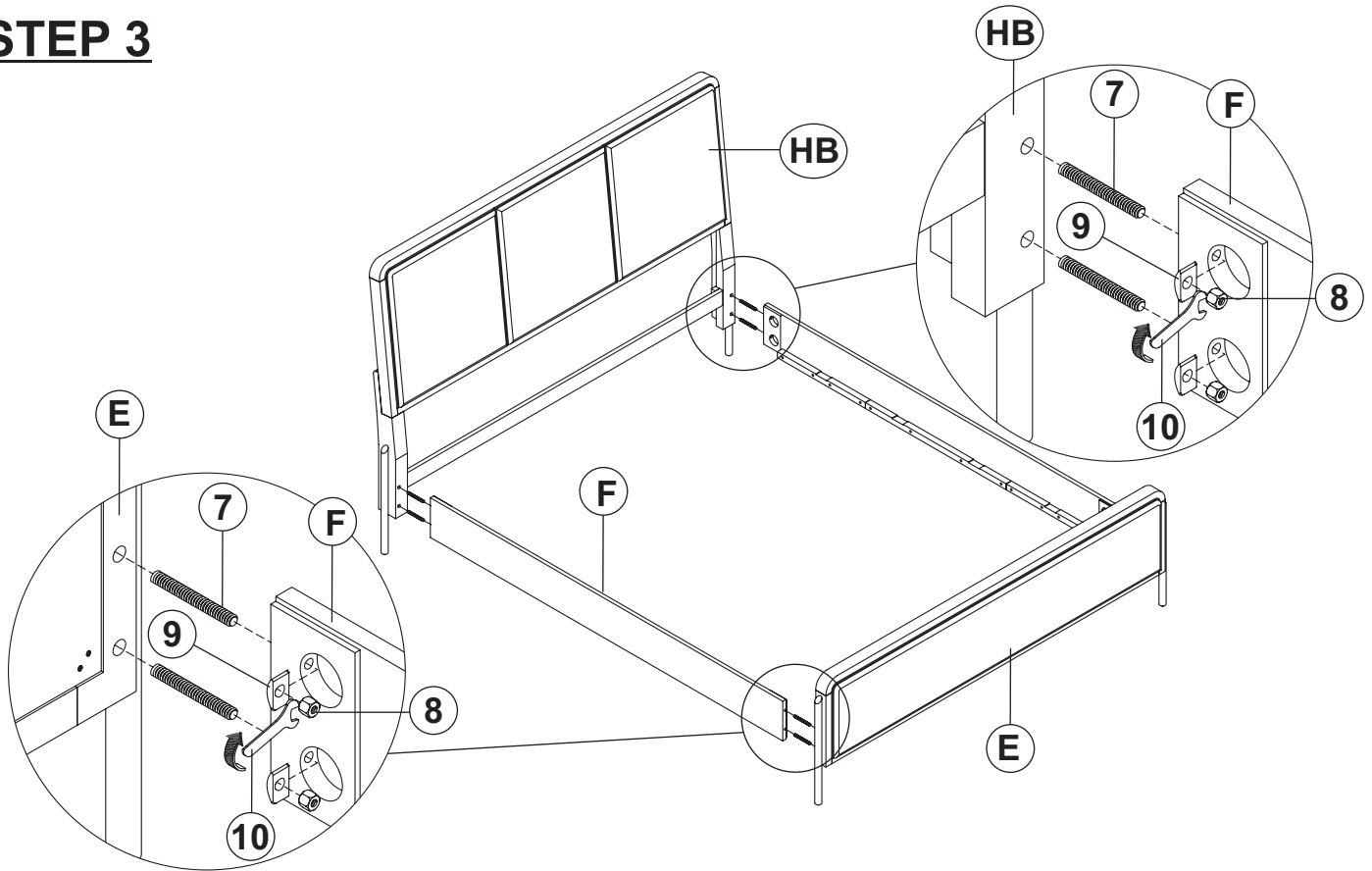


STEP 2

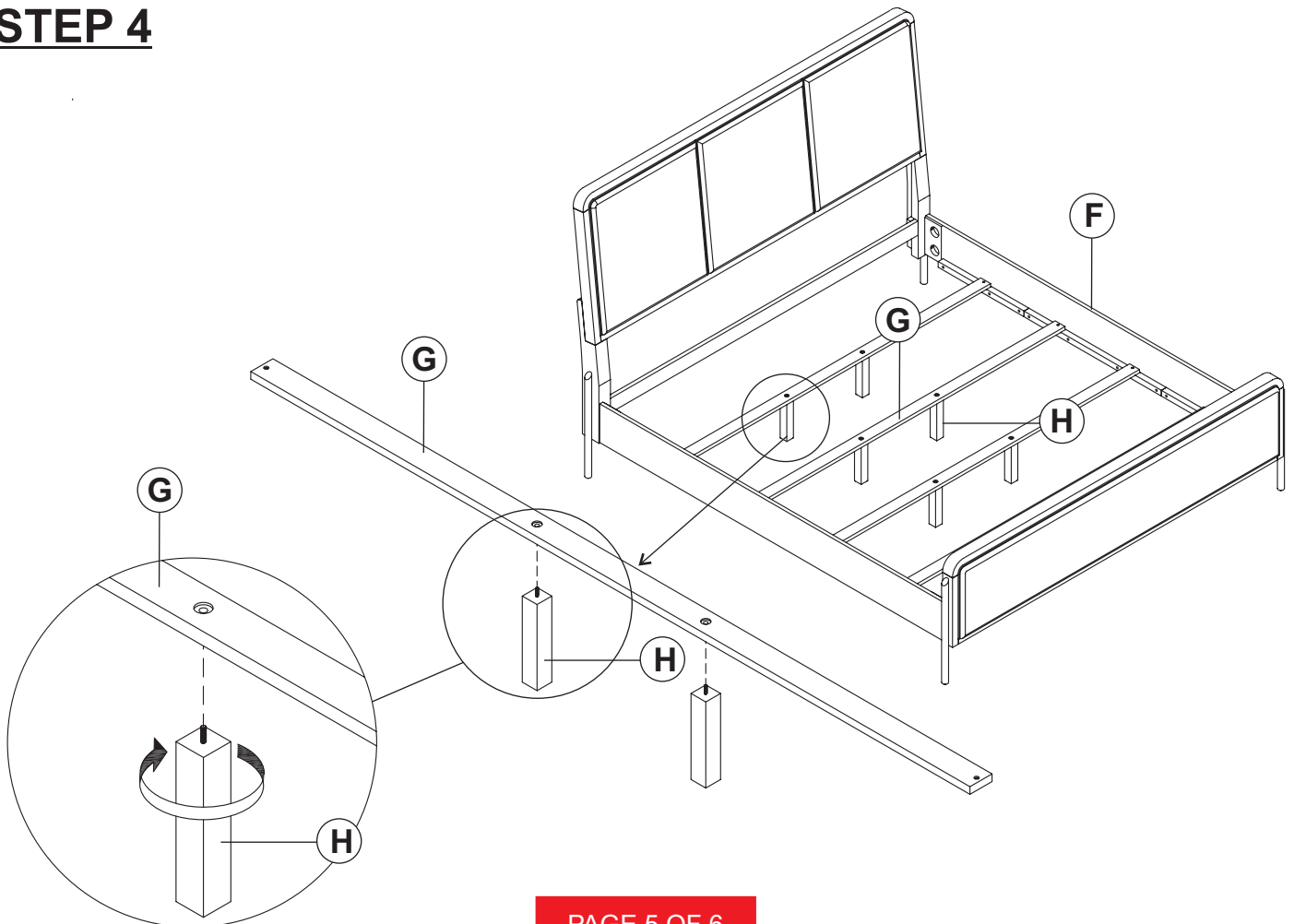


ASSEMBLY INSTRUCTIONS

STEP 3

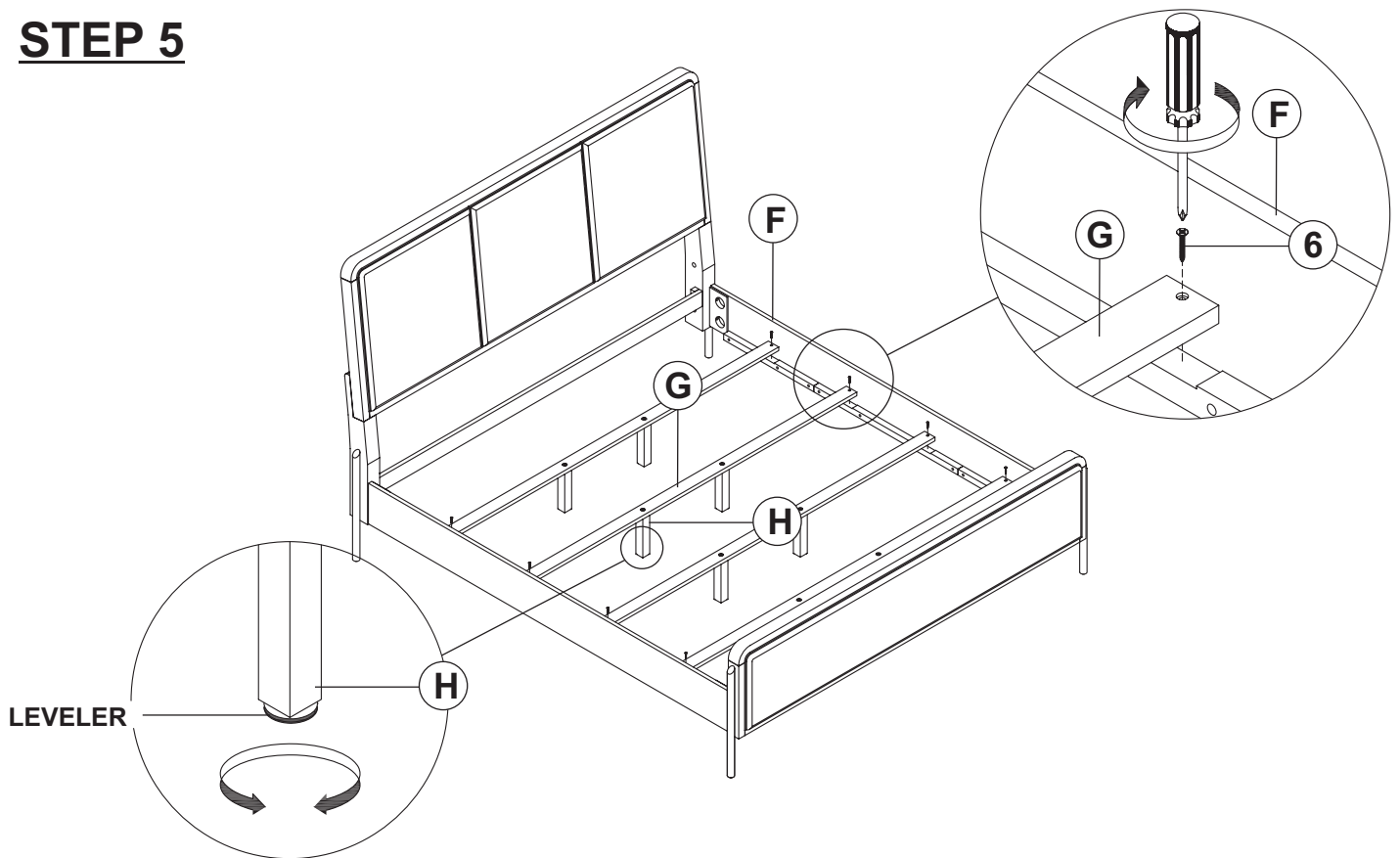


STEP 4

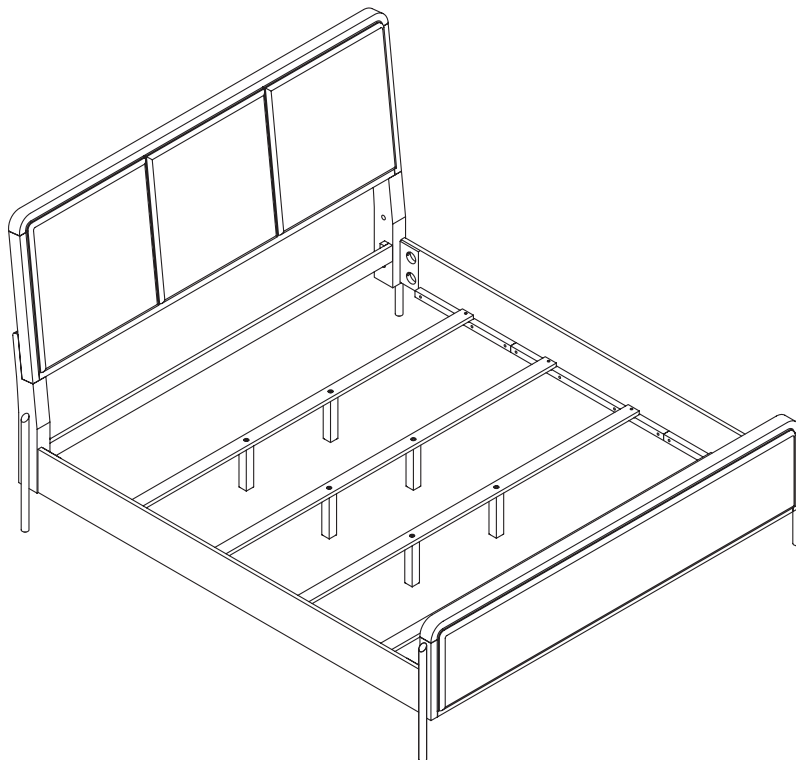


ASSEMBLY INSTRUCTIONS

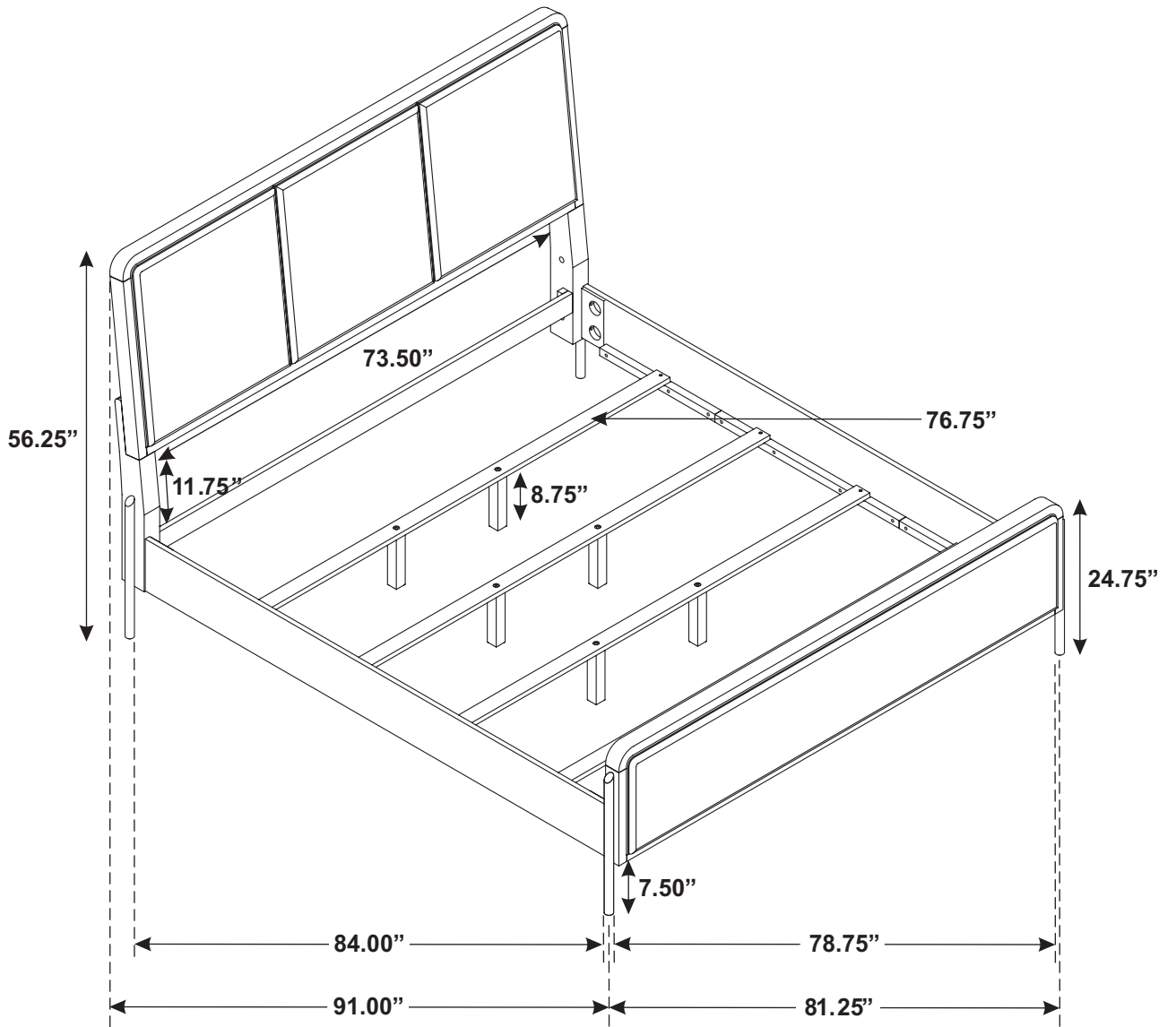
STEP 5



STEP 6 COMPLETE



Inner Size : 77.00"W x 82.00"D



Note: Dimension tolerance $\pm 5\%$

ASSEMBLY INSTRUCTIONS



Fine Furniture for every stage of life

Nightstand

ASSEMBLY INSTRUCTIONS

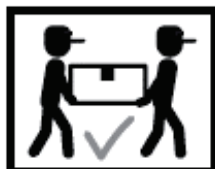
ASSEMBLY TIPS:

1. Remove hardware from box and sort by size.
2. Please check to see that all hardware and parts are present prior to start of assembly.
3. Please follow attached instructions in the same sequence as numbered to assure fast & easy assembly.



WARNING!

1. Don't attempt to repair or modify parts that are broken or defective. Please contact the store immediately.
2. This product is for home use only and not intended for commercial establishments.

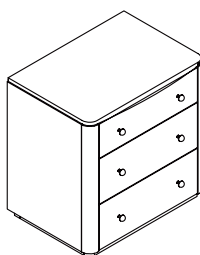


ASSEMBLY TIME

10 MINUTES

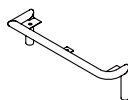
PART IDENTIFICATION

A NIGHTSTAND



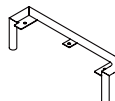
1PC

B LEFT METAL LEG



1PC

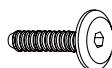
C RIGHT METAL LEG



1PC

HARDWARE IDENTIFICATION

1 BOLT
(M6 x 22mm - BLK)



6PCS

2 LOCK WASHER
(1.6 x 14mm - BLK)



6PCS

3 FLAT WASHER
(1 x 18mm - BLK)



6PCS

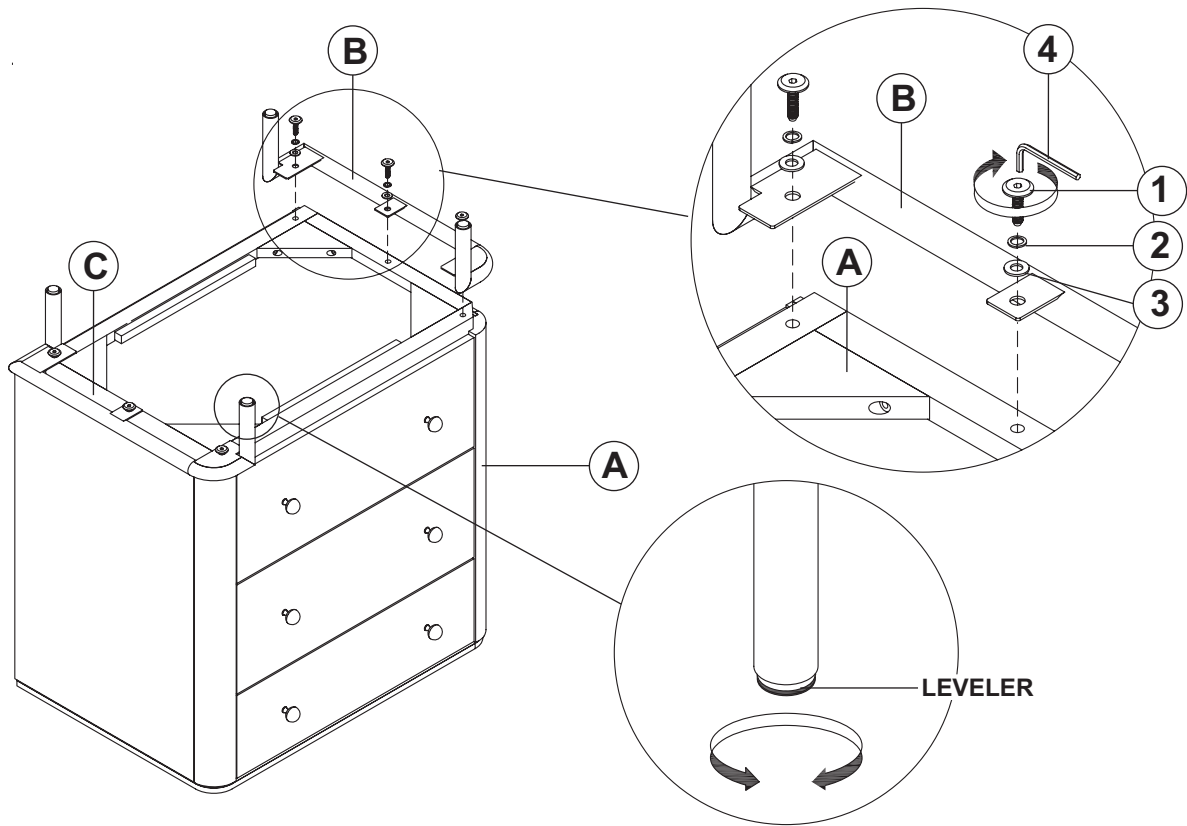
4 ALLEN WRENCH
(M4 x 65mm - BLK)



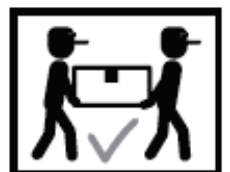
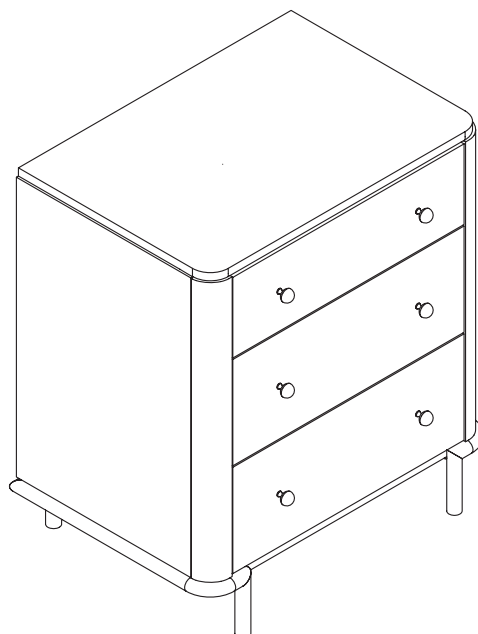
1PC

ASSEMBLY INSTRUCTIONS

STEP 1



STEP 2 COMPLETE



ANTI-TIPPING INSTALLATION INSTRUCTIONS

FURNITURE TIPPING RESTRAINT

WARNING

Injury may result from tipping furniture.

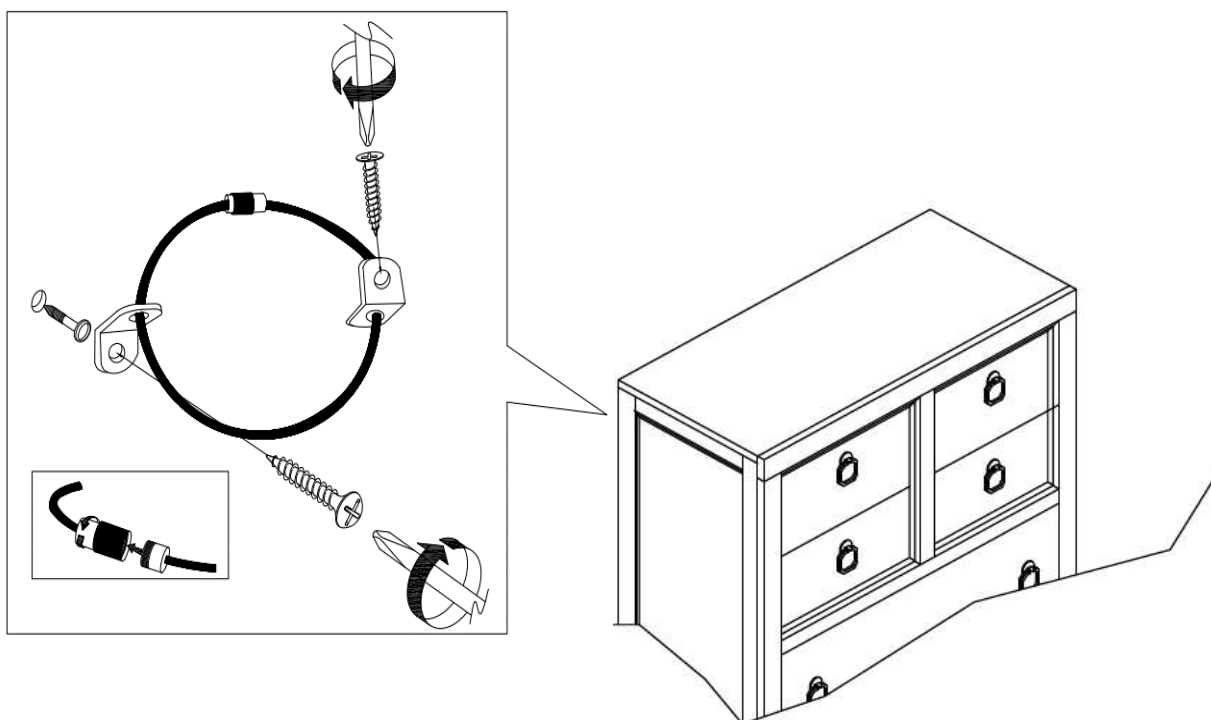
This restraint may protect against tipping furniture.

Do not allow children to climb on furniture.

This restraint is not a substitute for proper adult supervision.

Failure to detach this restraint before moving the furniture may result in injury and damage.

1. Attach one of the mounting brackets securely to the back edge of the unit, using the short screw.
2. Determine where the unit is to be placed, and mark the location on the wall for the other mounting bracket. The bracket on the wall needs to be approximately 2" below the bracket mounted to the edge of the unit.
3. Drill a hole in the wall. Insert the plastic wall anchor into the hole and if necessary, use a small block of wood and hammer to tap it in so that it's flush with the wall.
4. Attach the bracket over the plastic wall anchor using the long screw.
5. Place the unit against the wall, both brackets need to be facing each other.
6. Lace an end of the restraint strap through the hole in each bracket. Bring both ends together and rotate the thumb nut onto the threaded end until tight.
7. Ensure that the restraint strap is securely laced and locked.



ASSEMBLY INSTRUCTIONS



Fine Furniture for every stage of life

Dresser

ASSEMBLY INSTRUCTIONS

ASSEMBLY TIPS:

1. Remove hardware from box and sort by size.
2. Please check to see that all hardware and parts are present prior to start of assembly.
3. Please follow attached instructions in the same sequence as numbered to assure fast & easy assembly.



WARNING!

1. Don't attempt to repair or modify parts that are broken or defective. Please contact the store immediately.
2. This product is for home use only and not intended for commercial establishments.

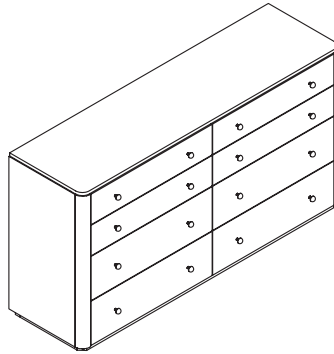


ASSEMBLY TIME

10 MINUTES

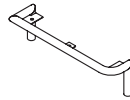
PART IDENTIFICATION

A DRESSER



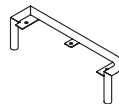
1PC

B LEFT METAL LEG



1PC

C RIGHT METAL LEG



1PC

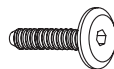
D CENTER SUPPORT LEG WITH LEVELER



1PC

HARDWARE IDENTIFICATION

1 BOLT
(M6 x 22mm - BLK)



6PCS

2 LOCK WASHER
(1.6 x 14mm - BLK)



6PCS

3 FLAT WASHER
(1 x 18mm - BLK)



6PCS

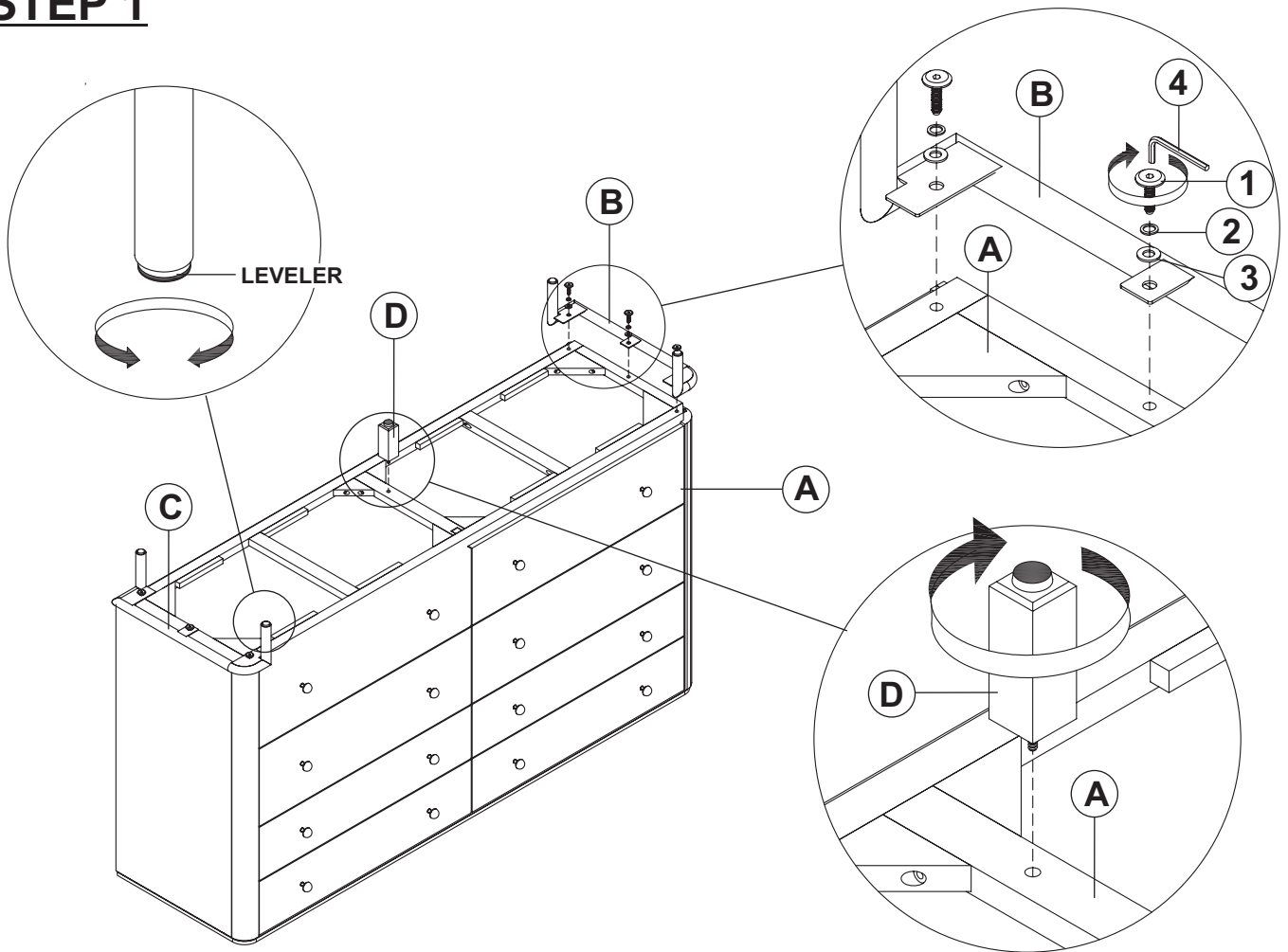
4 ALLEN WRENCH
(M4 x 65mm - BLK)



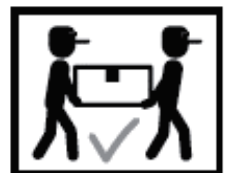
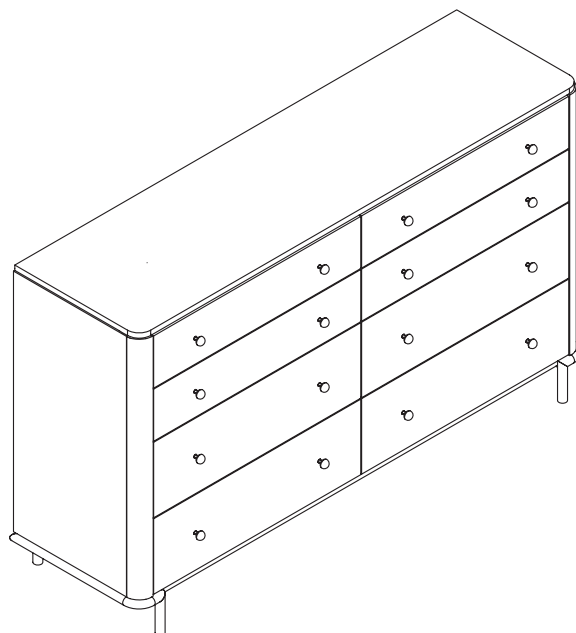
1PC

ASSEMBLY INSTRUCTIONS

STEP 1



STEP 2 COMPLETE



ANTI-TIPPING INSTALLATION INSTRUCTIONS

FURNITURE TIPPING RESTRAINT

WARNING

Injury may result from tipping furniture.

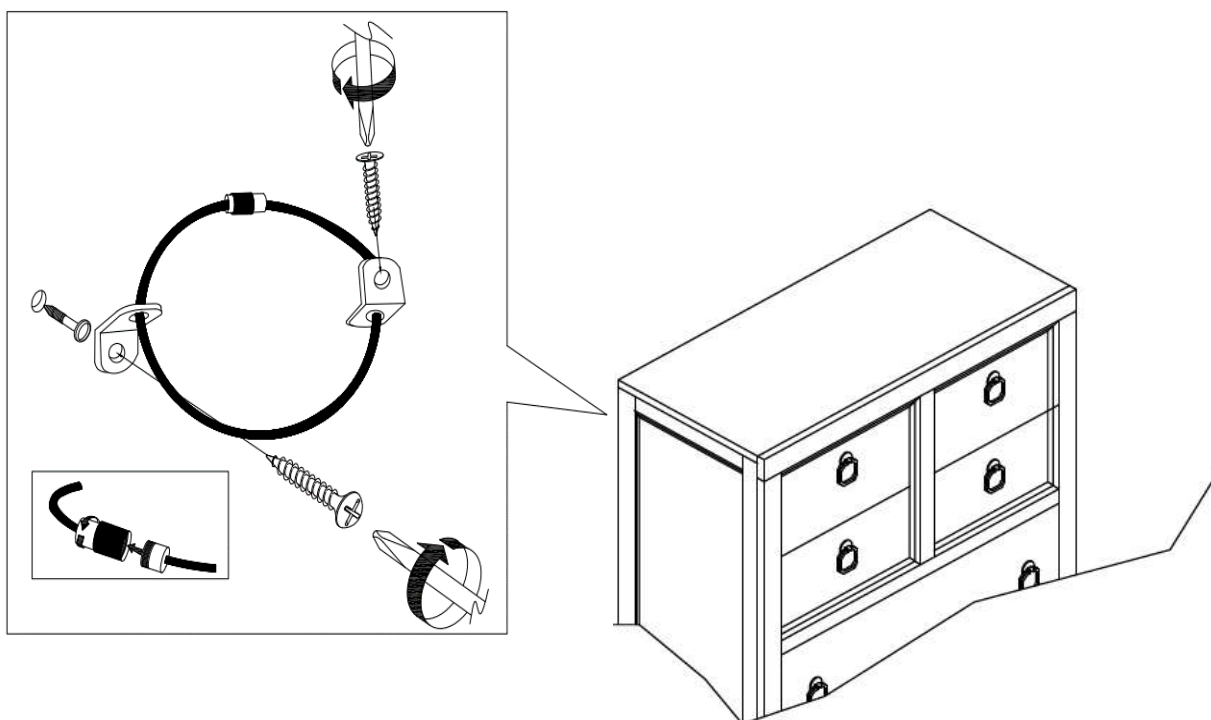
This restraint may protect against tipping furniture.

Do not allow children to climb on furniture.

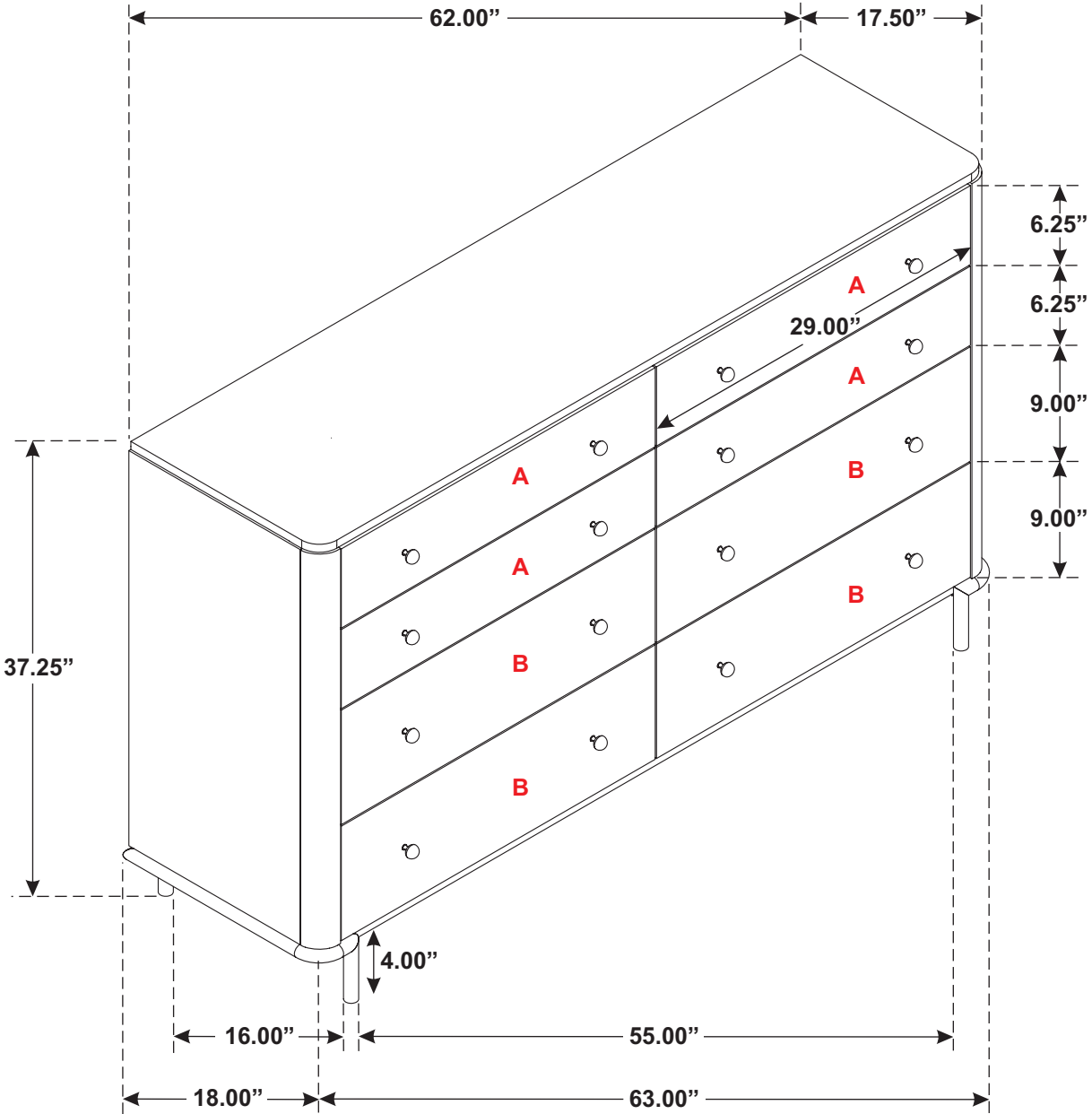
This restraint is not a substitute for proper adult supervision.

Failure to detach this restraint before moving the furniture may result in injury and damage.

1. Attach one of the mounting brackets securely to the back edge of the unit, using the short screw.
2. Determine where the unit is to be placed, and mark the location on the wall for the other mounting bracket. The bracket on the wall needs to be approximately 2" below the bracket mounted to the edge of the unit.
3. Drill a hole in the wall. Insert the plastic wall anchor into the hole and if necessary, use a small block of wood and hammer to tap it in so that it's flush with the wall.
4. Attach the bracket over the plastic wall anchor using the long screw.
5. Place the unit against the wall, both brackets need to be facing each other.
6. Lace an end of the restraint strap through the hole in each bracket. Bring both ends together and rotate the thumb nut onto the threaded end until tight.
7. Ensure that the restraint strap is securely laced and locked.



Inner Size of Drawer A : 26.50"W x 13.75"D x 3.50"H x 0.5"T
Inner Size of Drawer B : 26.50"W x 13.75"D x 6.50"H x 0.5"T



Note: Dimension tolerance $\pm 5\%$

INSTRUCTIONS D'ASSEMBLAGE



Fine Furniture for every stage of life

Mirror

ASSEMBLY INSTRUCTIONS

ASSEMBLY TIPS:

1. Remove hardware from box and sort by size.
2. Please check to see that all hardware and parts are present prior to start of assembly.
3. Please follow attached instructions in the same sequence as numbered to assure fast & easy assembly.



WARNING!

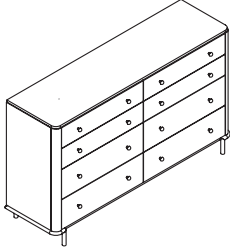

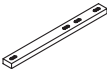
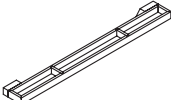
1. Don't attempt to repair or modify parts that are broken or defective. Please contact the store immediately.
2. This product is for home use only and not intended for commercial establishments.



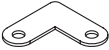





ASSEMBLY TIME

15 MINUTES

PART IDENTIFICATION

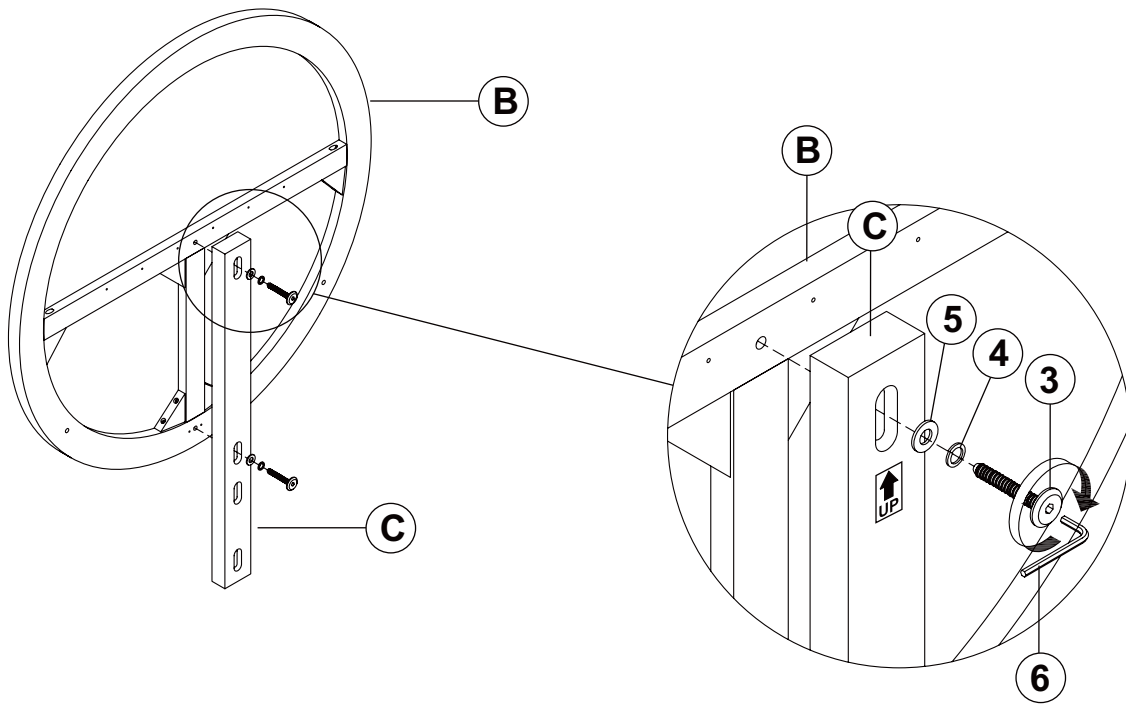
A	DRESSER		1 PC
B	MIRROR		1 PC
C	MIRROR SUPPORT (PACKED WITH MIRROR)		1 PC
D	JEWELRY TRAY (PACKED WITH MIRROR)		1 PC

HARDWARE IDENTIFICATION

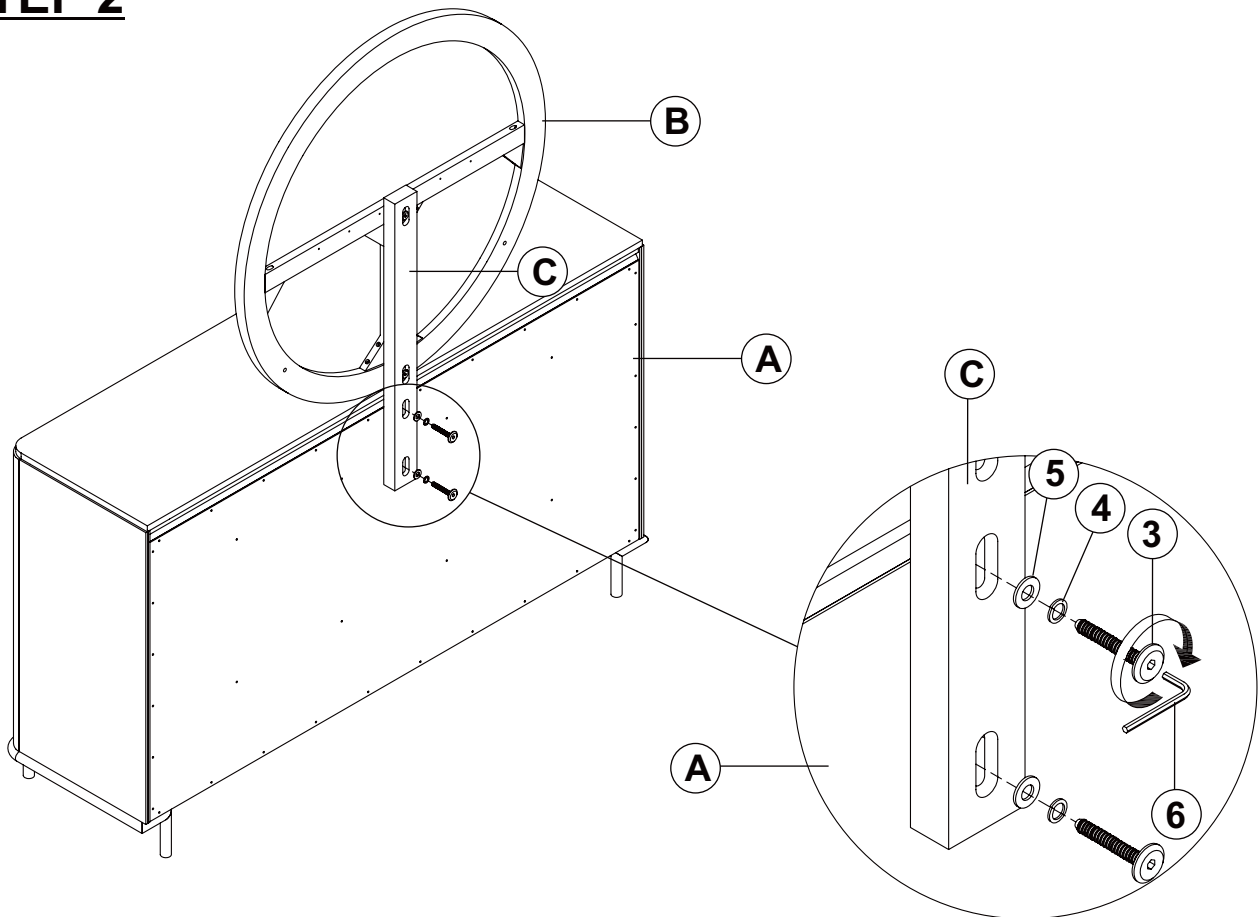
1	METAL CONNECTING MIRROR (2.5 x 65 x 65mm - BLK)		2 PCS
2	BOLT (M6 x 22mm - BLK)		4 PCS
3	BOLT (M6 x 45mm - BLK)		4 PCS
4	LOCK WASHER (1.6 x 14mm - BLK)		4 PCS
5	FLAT WASHER (1 x 18mm - BLK)		4 PCS
6	ALLEN WRENCH (M4 x 65mm - BLK)		1 PC

ASSEMBLY INSTRUCTIONS

STEP 1

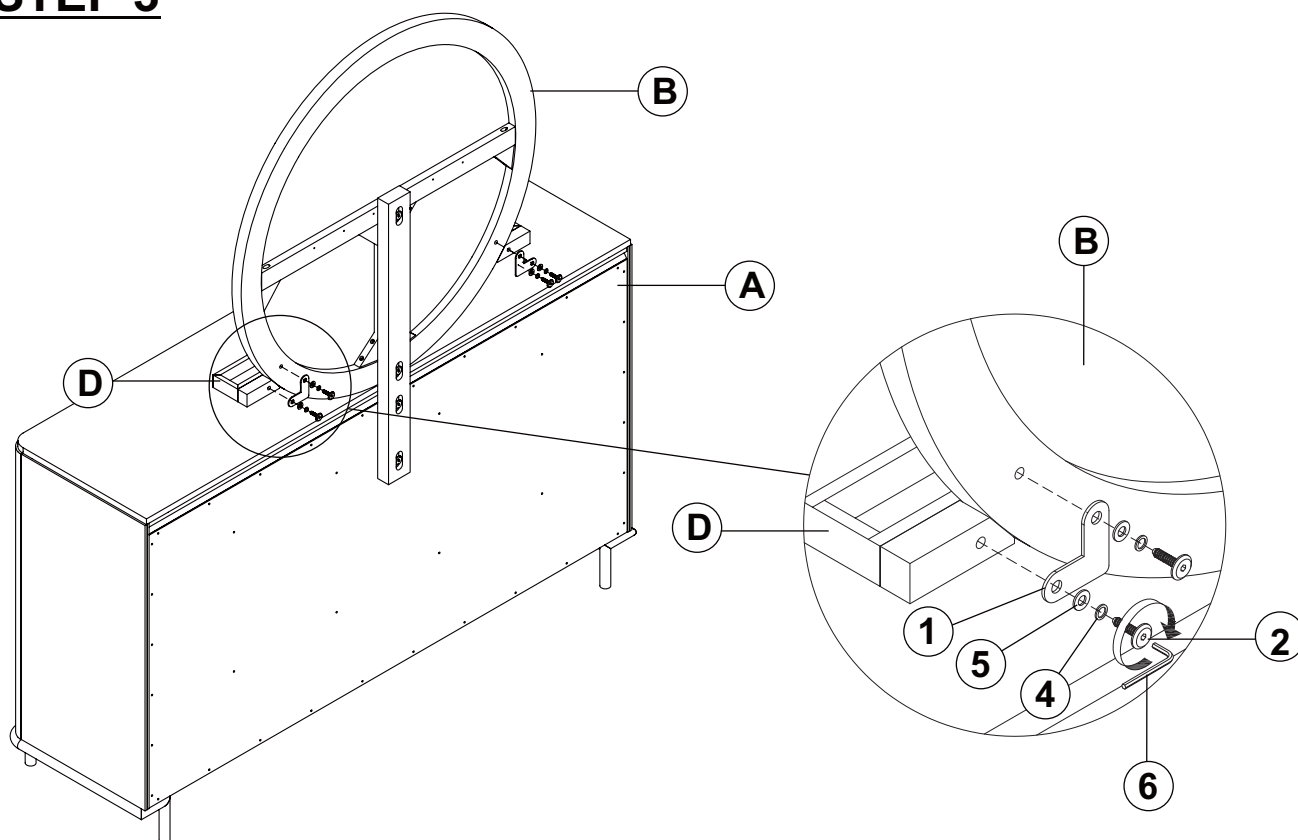


STEP 2

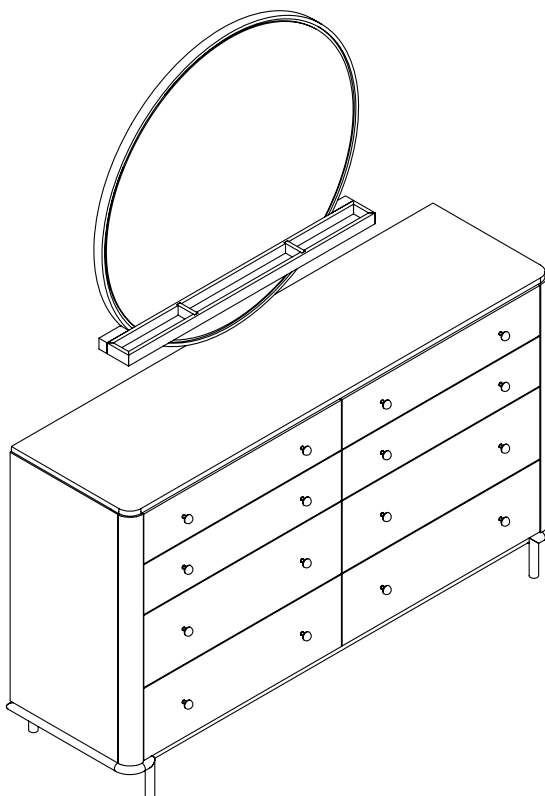


ASSEMBLY INSTRUCTIONS

STEP 3



STEP 4 COMPLETE



ASSEMBLY INSTRUCTIONS

ASSEMBLY TIPS:

1. Remove hardware from box and sort by size.
2. Please check to see that all hardware and parts are present prior to start of assembly.
3. Please follow attached instructions in the same sequence as numbered to assure fast & easy assembly.



WARNING!

1. Don't attempt to repair or modify parts that are broken or defective. Please contact the store immediately.
2. This product is for home use only and not intended for commercial establishments.



ASSEMBLY TIME

15 MINUTES

PART IDENTIFICATION

B MIRROR



1 PC

**E SHORT HANGING BAR
(PACKED WITH MIRROR)**



1 PC

**F LONG HANGING BAR
(PACKED WITH MIRROR)**



2 PCS

HARDWARE IDENTIFICATION

**7 FLAT HEAD SCREW
(8 x 1" - BLK)**



2 PCS

**8 SHORT PAN HEAD SCREW
(8 x 5/8" - BLK)**



6 PCS

**9 LONG PAN HEAD SCREW
(8 x 2" - BLK)**



6 PCS

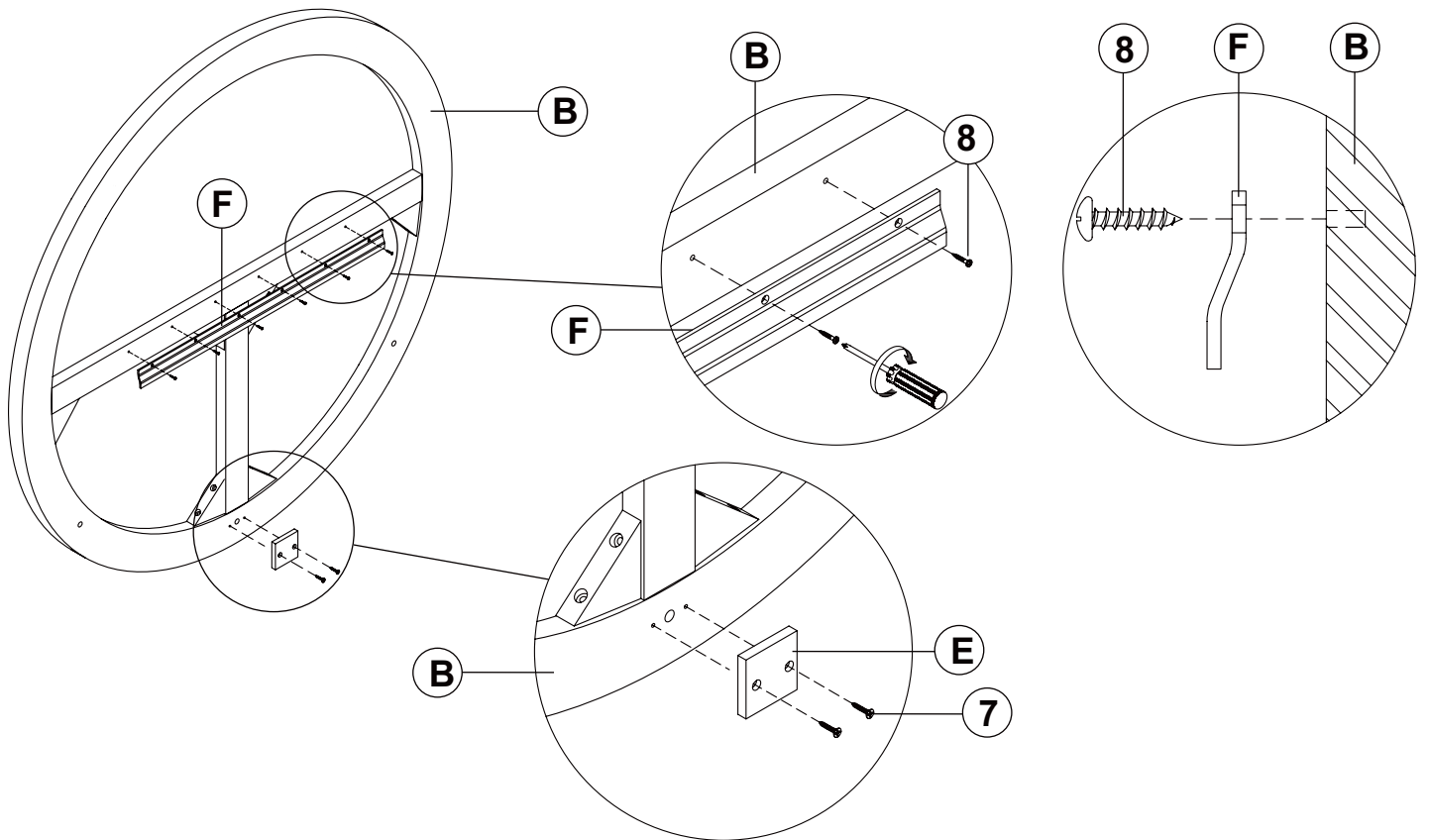
**10 PLASTIC ANCHOR
(S8 - GREY)**



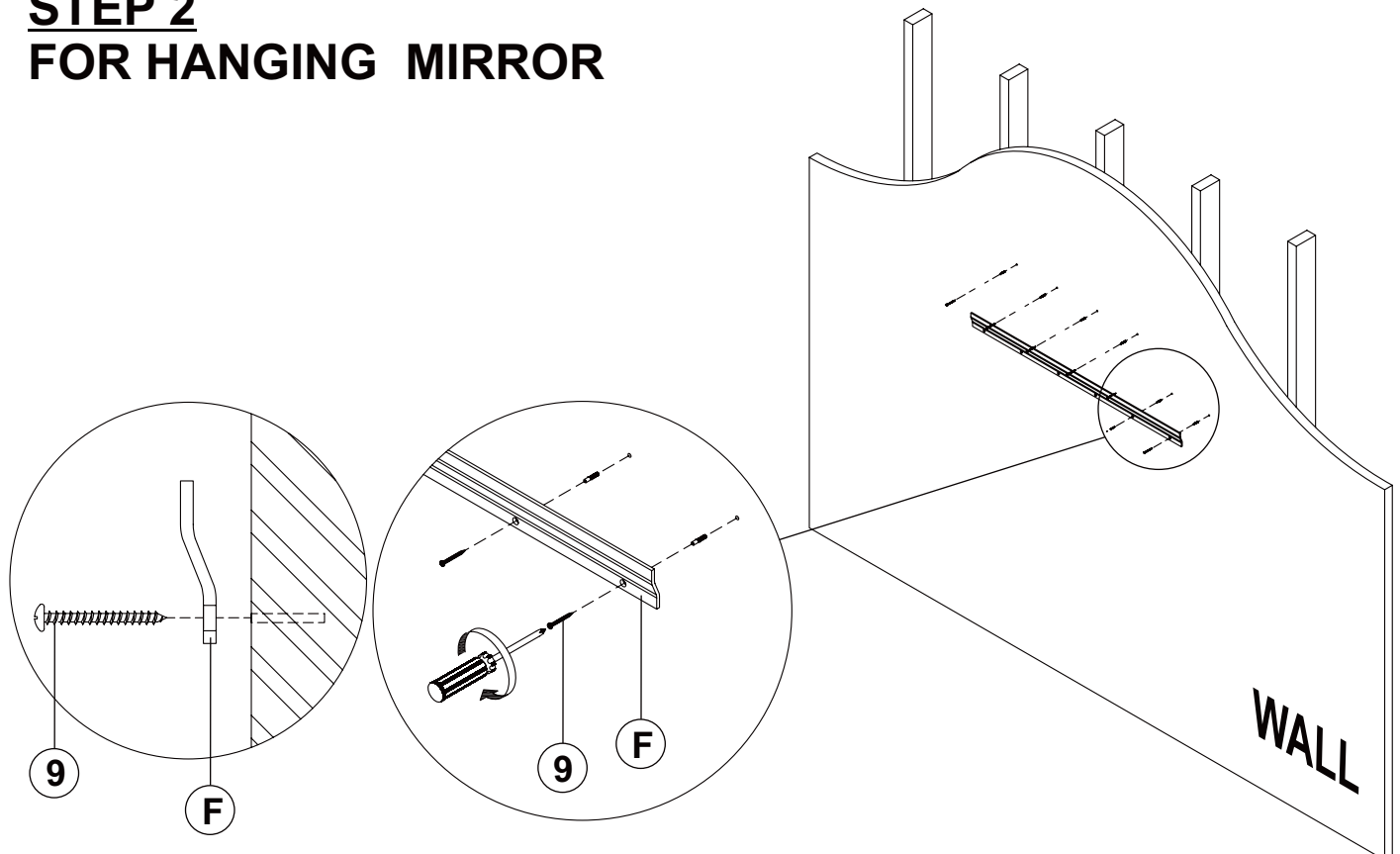
6 PCS

ASSEMBLY INSTRUCTIONS

STEP 1 FOR HANGING MIRROR

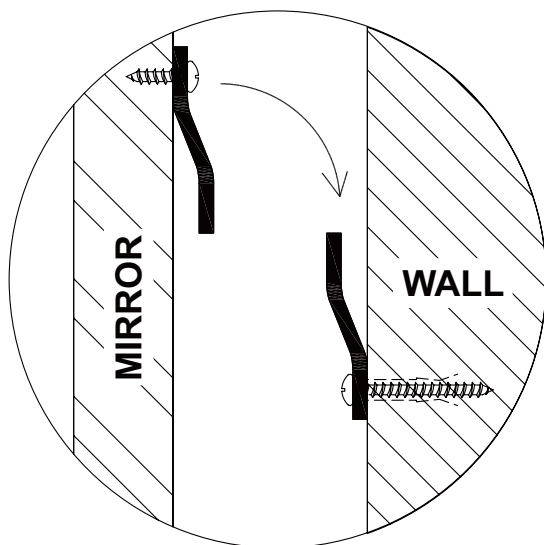
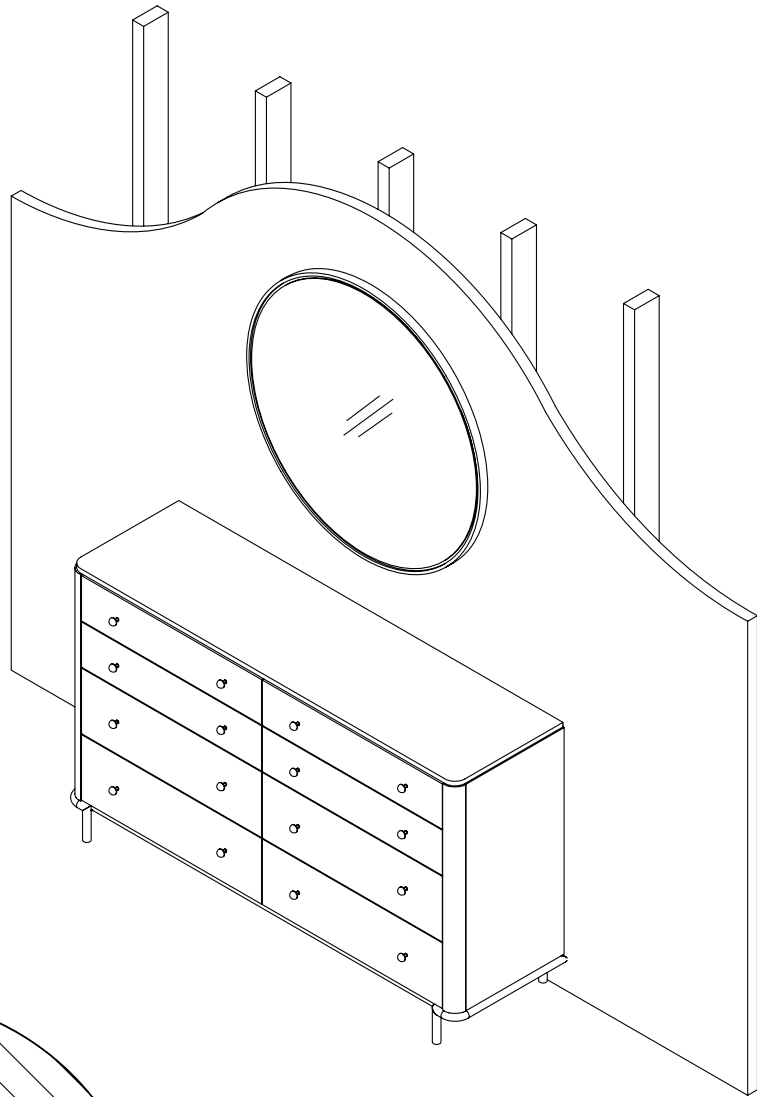


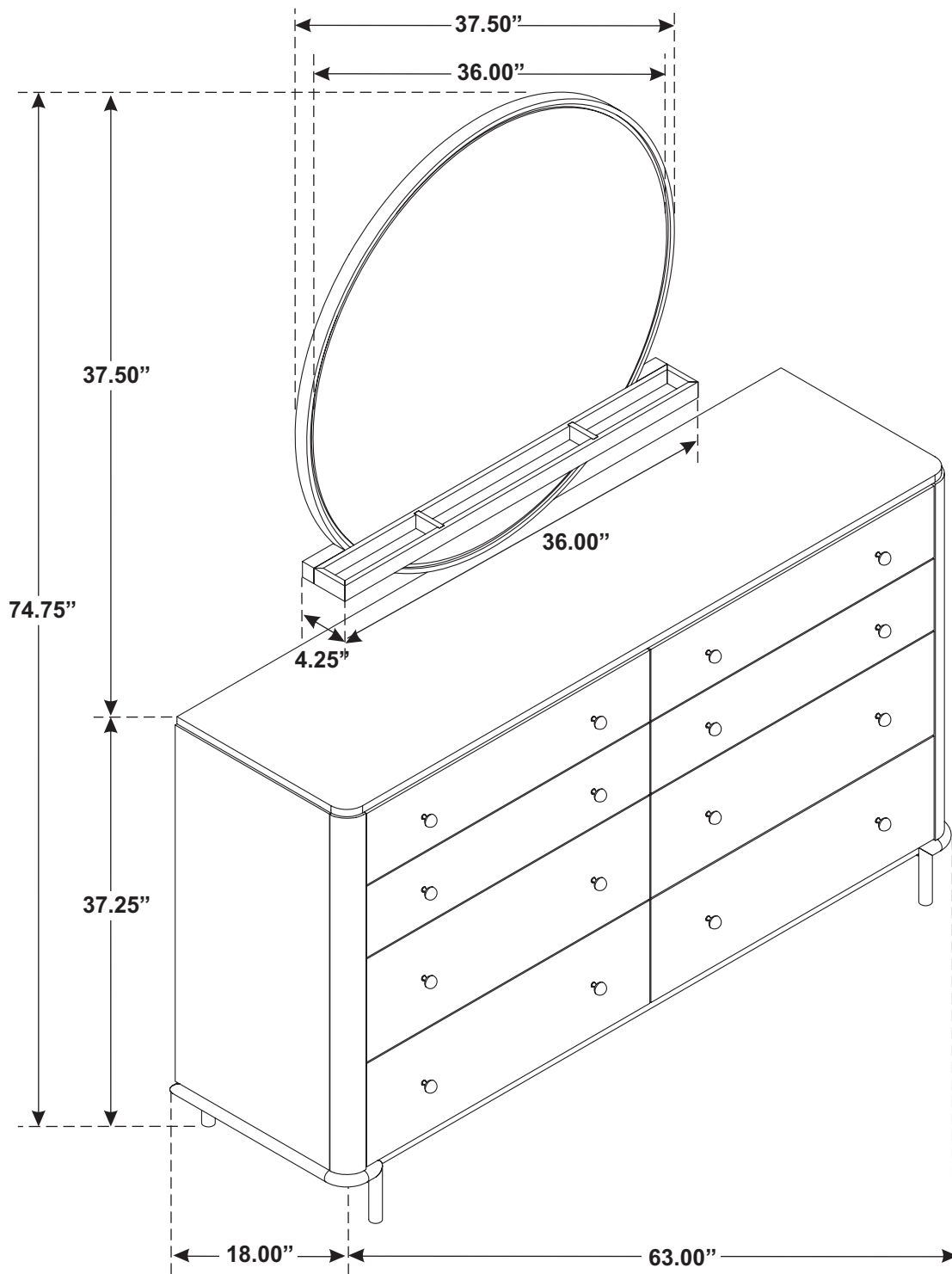
STEP 2 FOR HANGING MIRROR



ASSEMBLY INSTRUCTIONS

STEP 3 FOR HANGING MIRROR COMPLETE





Note: Dimension tolerance $\pm 5\%$

ASSEMBLY INSTRUCTIONS



Fine Furniture for every stage of life

Chest

ASSEMBLY INSTRUCTIONS

ASSEMBLY TIPS:

1. Remove hardware from box and sort by size.
2. Please check to see that all hardware and parts are present prior to start of assembly.
3. Please follow attached instructions in the same sequence as numbered to assure fast & easy assembly.



WARNING!

1. Don't attempt to repair or modify parts that are broken or defective. Please contact the store immediately.
2. This product is for home use only and not intended for commercial establishments.

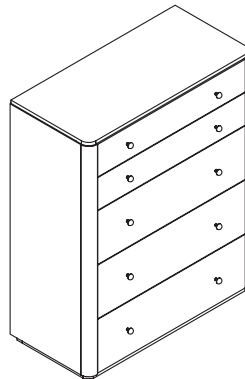


ASSEMBLY TIME

10 MINUTES

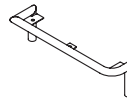
PART IDENTIFICATION

A CHEST



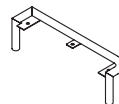
1PC

B LEFT METAL LEG



1PC

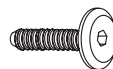
C RIGHT METAL LEG



1PC

HARDWARE IDENTIFICATION

1 BOLT
(M6 x 22mm - BLK)



6PCS

2 LOCK WASHER
(1.6 x 14mm - BLK)



6PCS

3 FLAT WASHER
(1 x 18mm - BLK)



6PCS

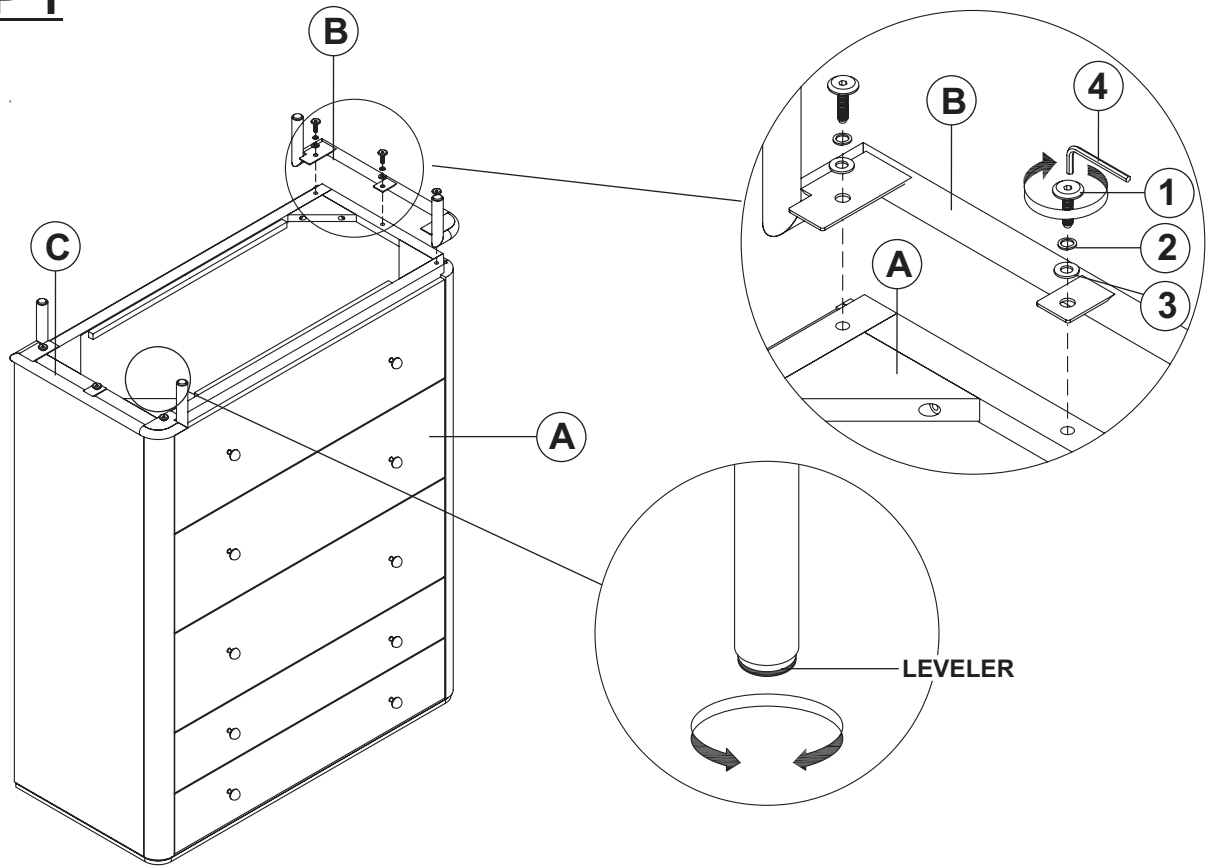
4 ALLEN WRENCH
(M4 x 65mm - BLK)



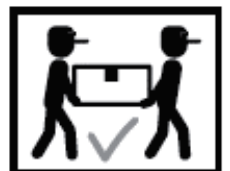
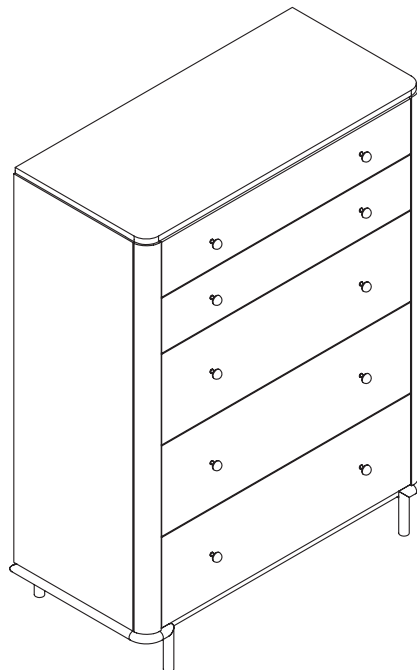
1PC

ASSEMBLY INSTRUCTIONS

STEP 1



STEP 2 COMPLETE



ANTI-TIPPING INSTALLATION INSTRUCTIONS

FURNITURE TIPPING RESTRAINT

WARNING

Injury may result from tipping furniture.

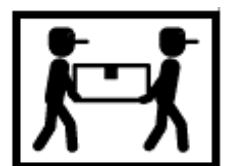
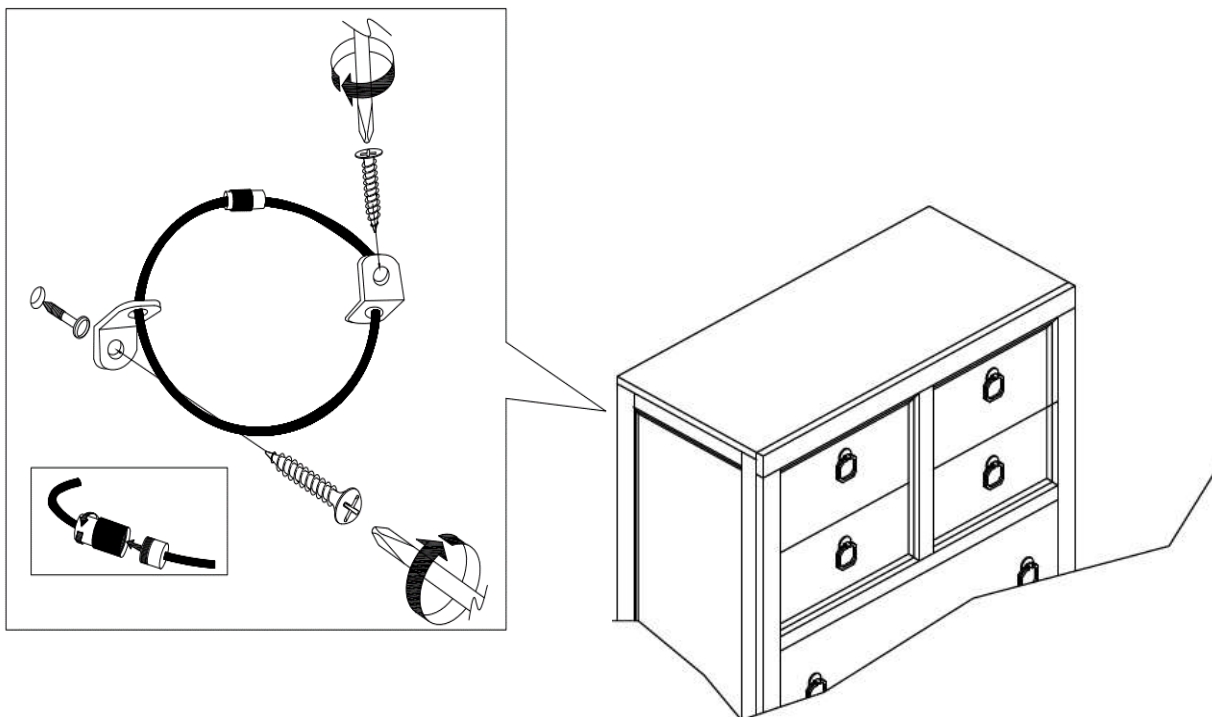
This restraint may protect against tipping furniture.

Do not allow children to climb on furniture.

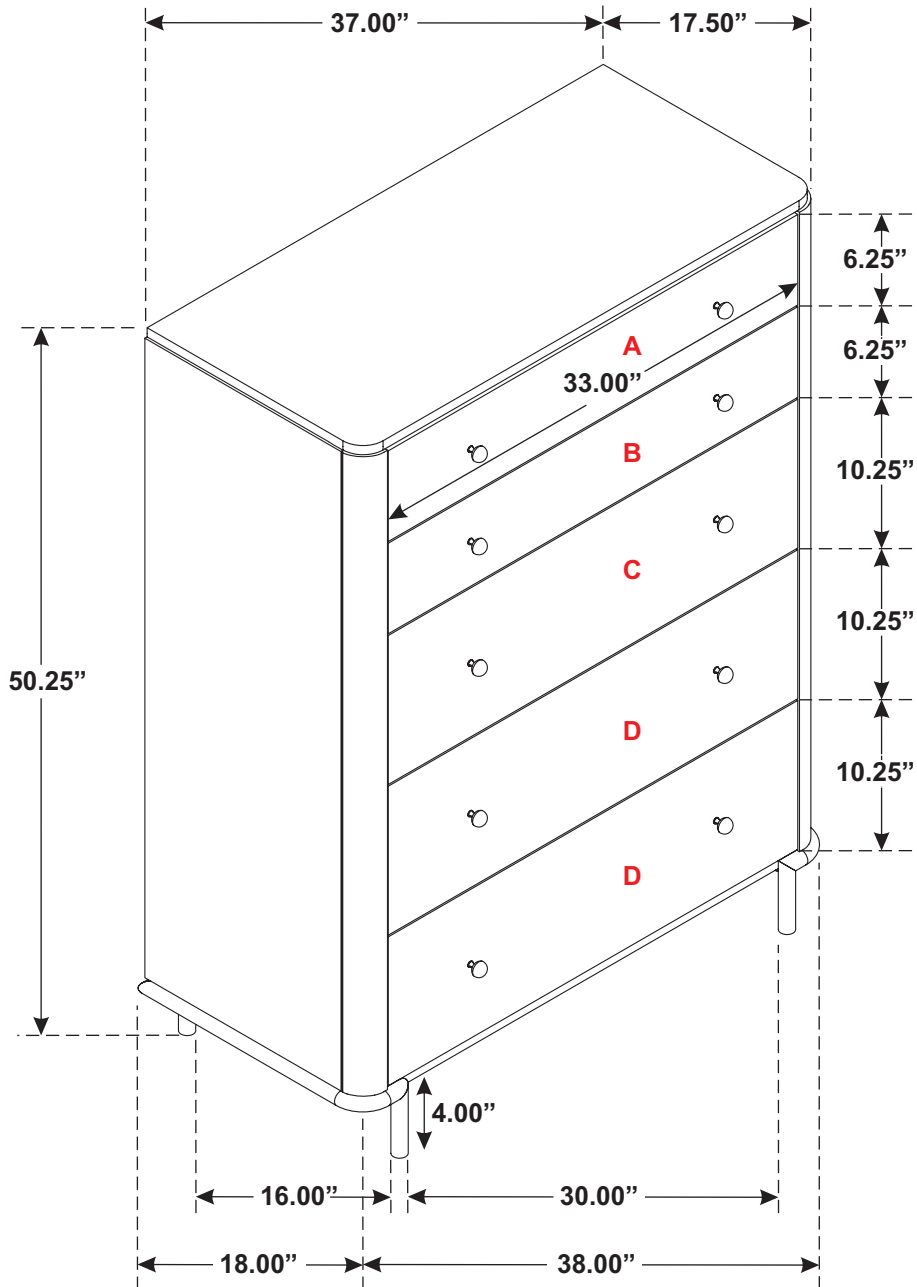
This restraint is not a substitute for proper adult supervision.

Failure to detach this restraint before moving the furniture may result in injury and damage.

1. Attach one of the mounting brackets securely to the back edge of the unit, using the short screw.
2. Determine where the unit is to be placed, and mark the location on the wall for the other mounting bracket. The bracket on the wall needs to be approximately 2" below the bracket mounted to the edge of the unit.
3. Drill a hole in the wall. Insert the plastic wall anchor into the hole and if necessary, use a small block of wood and hammer to tap it in so that it's flush with the wall.
4. Attach the bracket over the plastic wall anchor using the long screw.
5. Place the unit against the wall, both brackets need to be facing each other.
6. Lace an end of the restraint strap through the hole in each bracket. Bring both ends together and rotate the thumb nut onto the threaded end until tight.
7. Ensure that the restraint strap is securely laced and locked.



Inner Size of Drawer A : 30.75"W x 13.75"D x 3.50"H x 0.5"T
 Inner Size of Drawer B : 30.75"W x 13.75"D x 4.00"H x 0.5"T
 Inner Size of Drawer C : 30.75"W x 13.75"D x 4.50"H x 0.5"T
 Inner Size of Drawer D : 30.75"W x 13.75"D x 8.00"H x 0.5"T
 Inner Size of Hidden Drawer : 30.75"W x 12.50"D x 2.25"H x 0.5"T



Note: Dimension tolerance $\pm 5\%$