

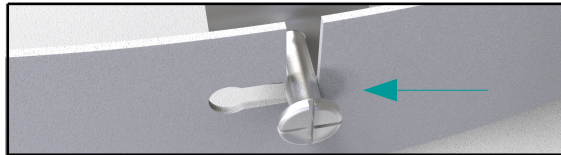
Canopy Installation

ENGLISH

To be installed by a certified electrician!

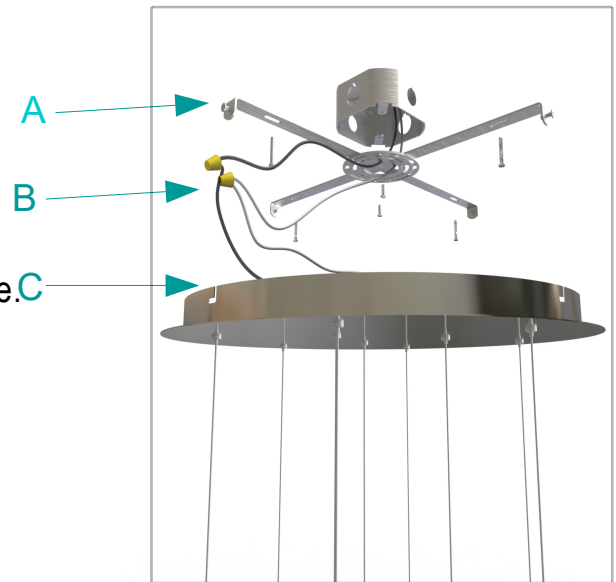
Ensure that the power is off.

- A Connect the mounting bracket to the junction box (required!). Add screws as needed.
- B Connect the wires.
- C Align the canopy with the screws, push up and rotate.



- D Tighten all the screws.

NOTE: do not release the canopy until the screws have been tightened.



Pendant Installation

Do not attach pendants until canopy installation is completed.

- A Slide part A up the wire.
- B Hold part A while you fully thread on part B. (may require assistance)
- C Insert the LED bulb(C) into part B.
- D thread part D into part B.

Please note that the bulbs run in series, so they will only function with all LED bulbs correctly installed.

Turn on the light 

Final step
The stabilizer disk clips onto the wire and slides down into position.

