

5' BED

ASSEMBLY INSTRUCTIONS



IMPORTANT

PLEASE READ BEFORE YOU CONTINUE FURTHER

THE PRODUCT YOU HAVE PURCHASED WILL GIVE YOU MANY YEARS OF SERVICE IF YOU FOLLOW THE GUIDELINES FOR ITS SAFE ASSEMBLY AND PERIODIC MAINTENANCE AND CLEANING.

DO NOT USE ANY TOOLS OTHER THAN THOSE SHOWN.

ANY SPANNERS OR ALLEN KEYS REQUIRED ARE INCLUDED WITH THE FITTINGS KIT.

DO NOT FOR ANY REASON USE A POWER TOOL TO ASSEMBLE THIS PRODUCT. ITS USE WILL INVALIDATE ANY CLAIM YOU MAY HAVE AND COULD MAKE THIS PRODUCT UNSAFE.

POWER TOOLS CAN OVERTIGHTEN AND DAMAGE COMPONENTS OR MAKE THE PRODUCT UNSAFE. ANY DAMAGES DUE TO THE USE OF POWER TOOLS ARE AT THE CUSTOMERS OWN RISK AND WILL NOT BE ACCEPTED BACK BY THE SUPPLIER. WE RECOMMEND YOU USE THE TOOL PROVIDED IN YOUR ASSEMBLY KIT.

DEPENDING ON THE AMOUNT OF USE THIS PRODUCT RECEIVES IT MAY BE NECESSARY TO TIGHTEN UP THE FIXINGS FROM TIME TO TIME. THIS IS COMPLETELY NORMAL FOR ANY FLAT PACK FURNITURE. DO NOT OVERTIGHTEN FIXINGS.

FOR CLEANING, YOU MAY USE A DAMP CLOTH (NOT WET) DO NOT USE POLISH, DETERGENT OR CHEMICAL CLEANERS.

PLEASE CHECK THAT YOU HAVE ALL THE PARTS LISTED BEFORE YOU START ASSEMBLING.
 IF YOU DO FIND THAT SOMETHING IS MISSING, DO NOT CONTINUE ASSEMBLY.
 PLEASE CONTACT YOUR SUPPLIER IMMEDIATELY.

PARTSLIST



(1)



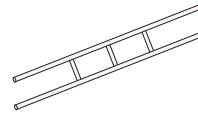
(2)



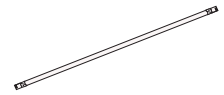
(3)



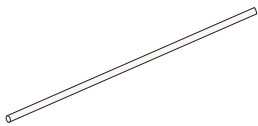
(4)



(5)



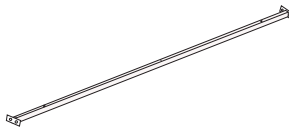
(6)



(7)



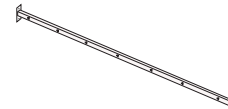
(8)



(9)



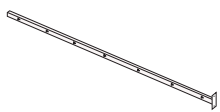
(10)



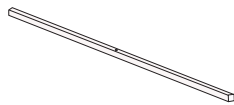
(11)



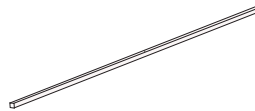
(12)



(13)



(14)



(15)



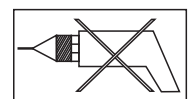
(16)



(17)


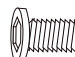
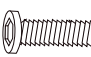
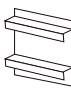







1	LEFT HEADBOARD POST	1PC	10	METAL PLATE 2	1PC
2	RIGHT HEADBOARD POST	1PC	11	SIDE RAIL 1	2PCS
3	RIGHT FOOTBOARD POST	1PC	12	SHORT SUPPORT LEG	2PCS
4	LEFT FOOTBOARD POST	1PC	13	SIDE RAIL 2	2PCS
5	HEADBOARD/FOOTBOARD PANEL	2PCS	14	CENTRE RAIL	2PCS
6	SLAT	14PCS	15	END CROSS RAILS	2PCS
7	HEADBOARD CROSS BAR	1PC	16	METAL PLATE 1	2PCS
8	LONG SUPPORT LEG	2PCS	17	CENTRE SUPPORT LEG	1PC
9	CROSS RAIL	1PC			

THE USE OF POWER TOOLS TO ASSEMBLE THIS PRODUCT WILL INVALIDATE ANY CLAIM AND MAY DAMAGE THIS PRODUCT MAKING IT UNSAFE

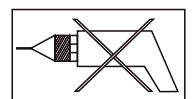


PLEASE CHECK THAT YOU HAVE ALL THE PARTS LISTED BEFORE YOU START ASSEMBLING.
 IF YOU DO FIND THAT SOMETHING IS MISSING, DO NOT CONTINUE ASSEMBLY.
 PLEASE CONTACT YOUR SUPPLIER IMMEDIATELY.

HARDWARE LIST




A		M6X20MM BOLT	16PCS
B		M8X20MM BOLT	8PCS
C		M6X35MM BOLT	10PCS
D		PLASTIC PLUG	28PCS
E		M6X40MM BOLT	7PCS
F		M6 NUT	8PCS
G		4MM ALLEN KEY	1PC
H		SPANNER	1PC
I		M6 SPACER	13PCS
J		ROUND RUBBER PAD 1	4PCS
K		ROUND RUBBER PAD 2	5PCS

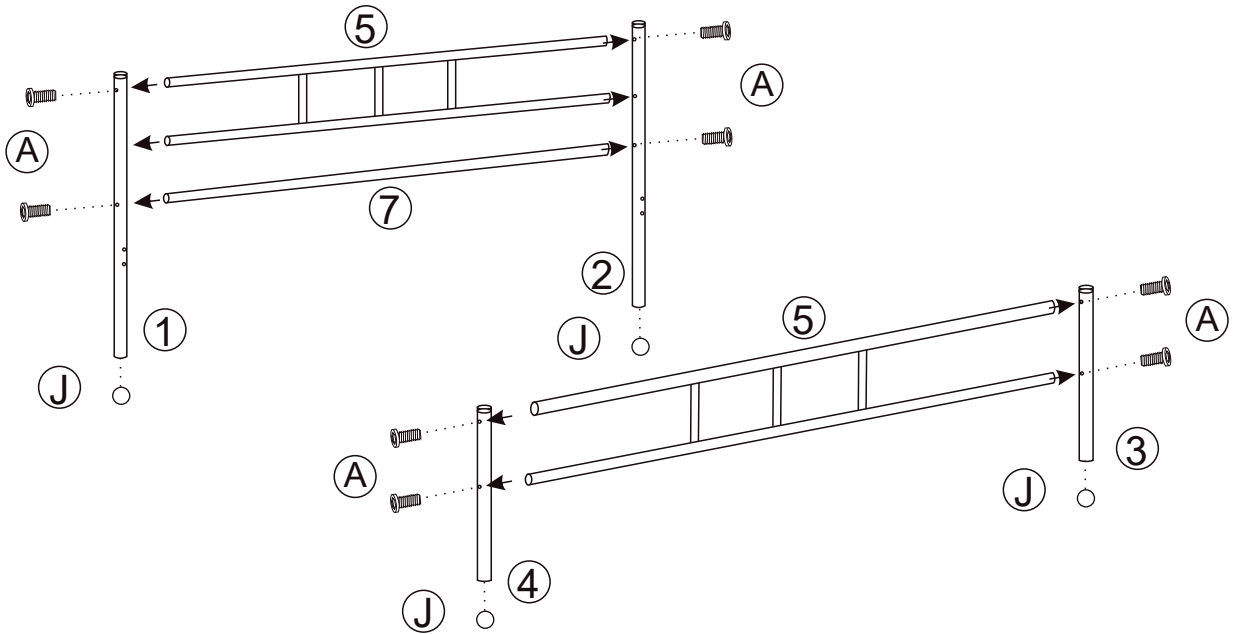
THE USE OF POWER TOOLS TO ASSEMBLE THIS PRODUCT WILL INVALIDATE
 ANY CLAIM AND MAY DAMAGE THIS PRODUCT MAKING IT UNSAFE
 PAGE 3 OF 6



STEP 1


YOU WILL NEED:-

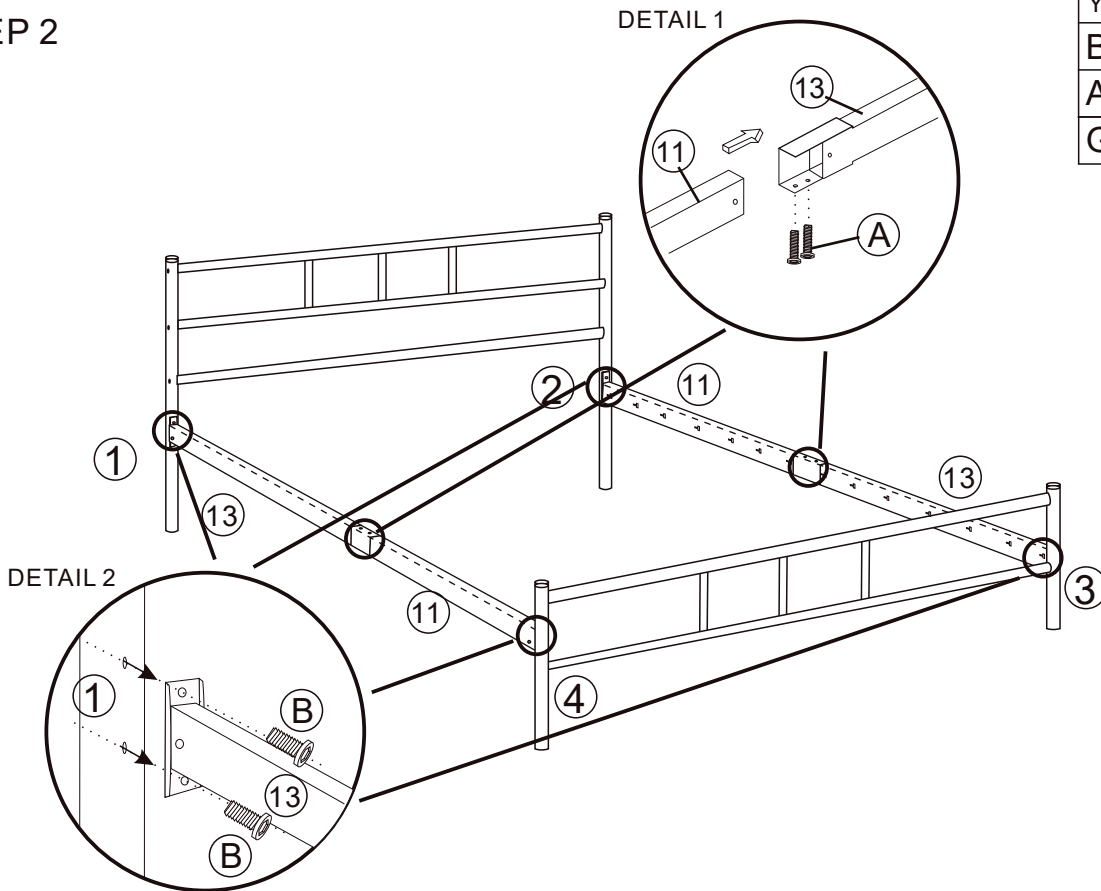
A		8 PCS
G		1PC
J		4PCS



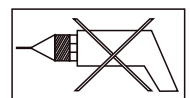
STEP 2

YOU WILL NEED:-

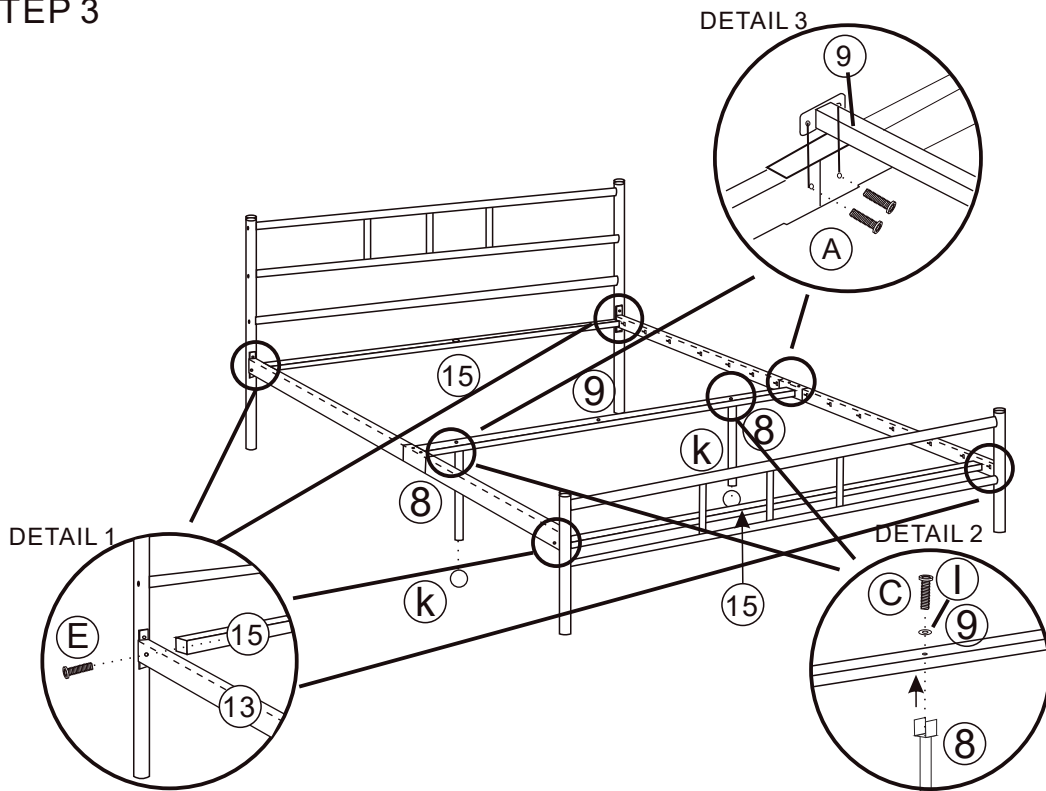
B		8 PCS
A		4PCS
G		1PC



THE USE OF POWER TOOLS TO ASSEMBLE THIS PRODUCT WILL INVALIDATE ANY CLAIM AND MAY DAMAGE THIS PRODUCT MAKING IT UNSAFE



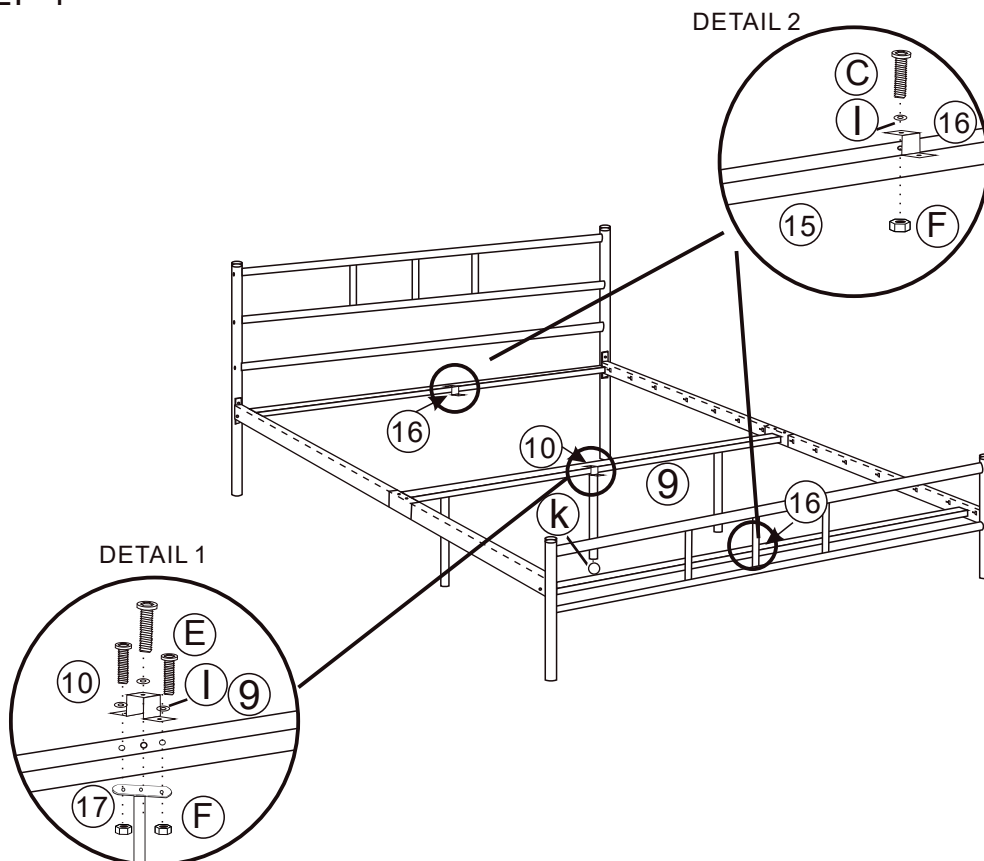
STEP 3



YOU WILL NEED:-

A		4 PCS
C		2PCS
E		4PCS
G		1 PC
I		2PCS
k		2PCS

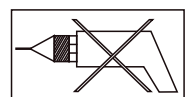
STEP 4



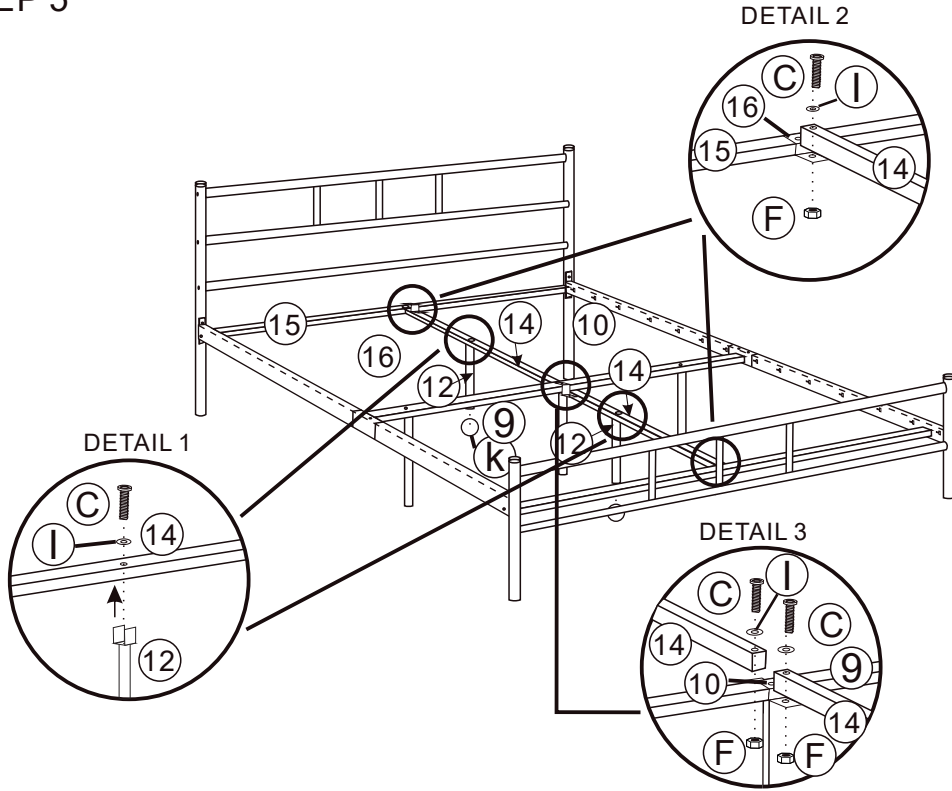
YOU WILL NEED:-

C		2PCS
E		3PCS
F		4PCS
G		1PC
I		5PCS
k		1PCS

THE USE OF POWER TOOLS TO ASSEMBLE THIS PRODUCT WILL INVALIDATE ANY CLAIM AND MAY DAMAGE THIS PRODUCT MAKING IT UNSAFE



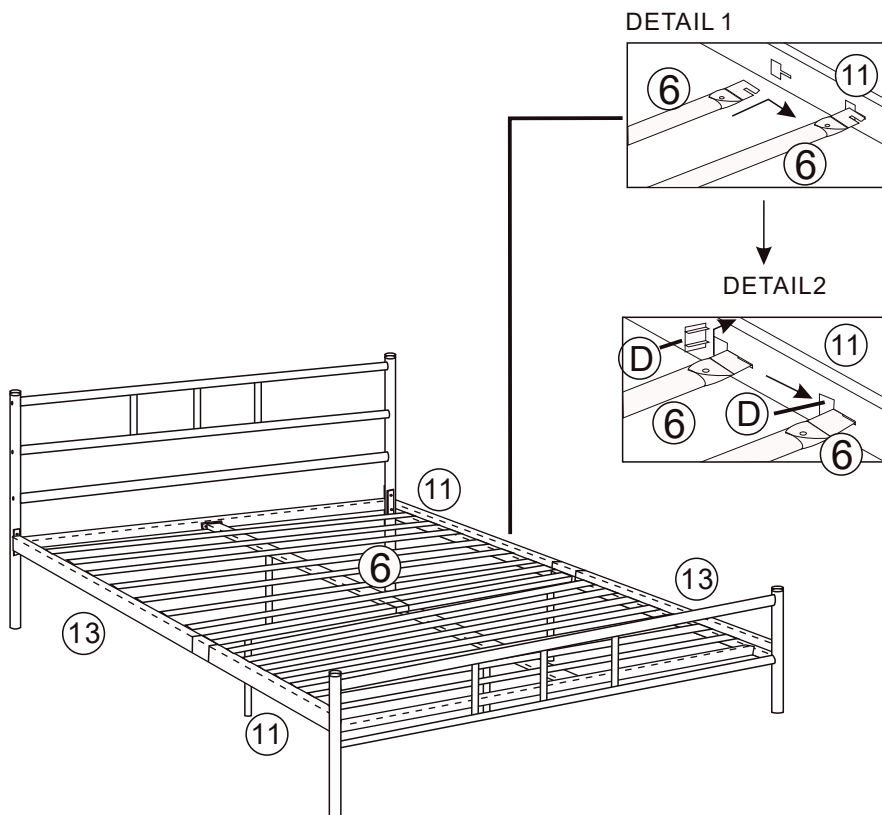
STEP 5



YOU WILL NEED:-

C		6PCS
F		4 PCS
G		1 PC
H		1 PC
I		6PCS
k		2PCS

STEP 6



YOU WILL NEED:-

D		28PCS
---	--	-------

THE USE OF POWER TOOLS TO ASSEMBLE THIS PRODUCT WILL INVALIDATE ANY CLAIM AND MAY DAMAGE THIS PRODUCT MAKING IT UNSAFE

