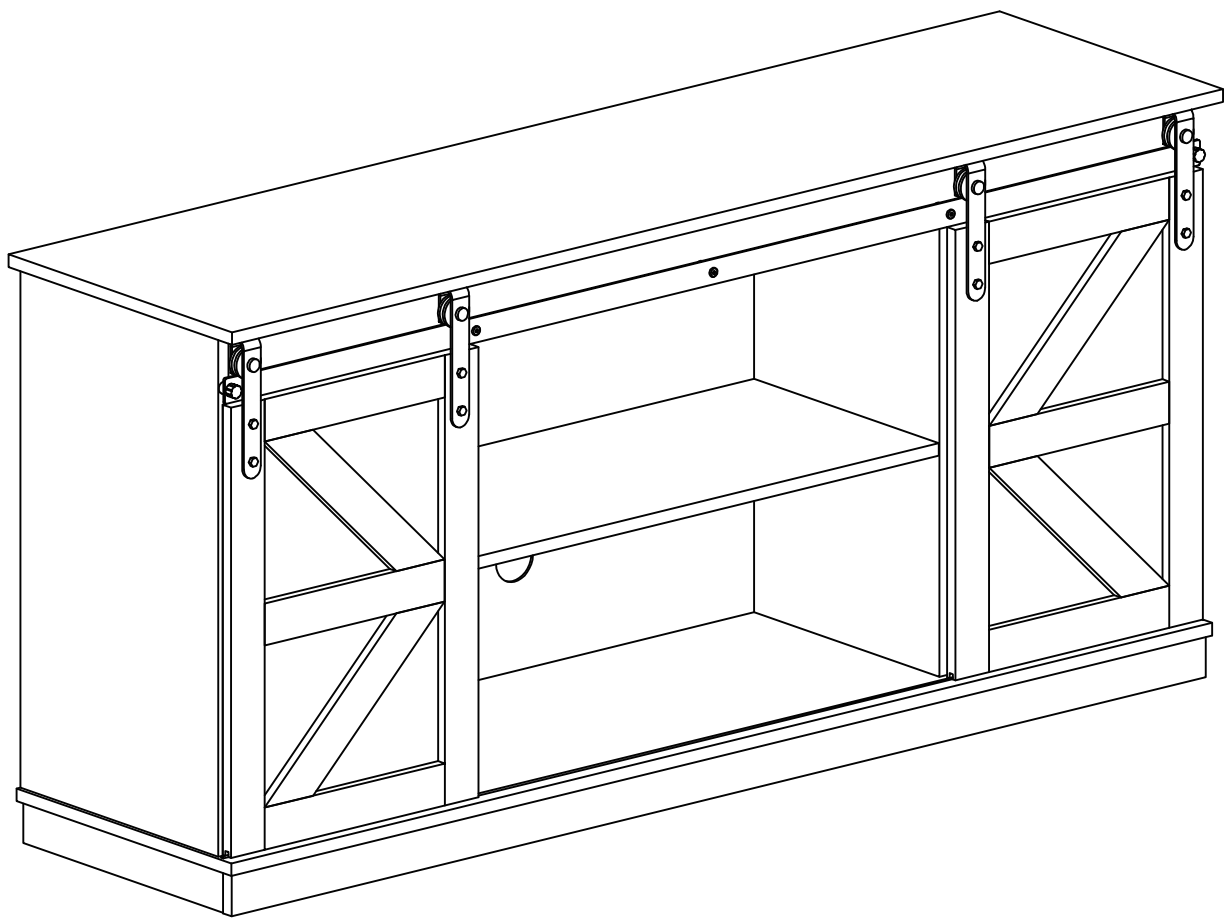
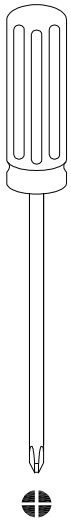


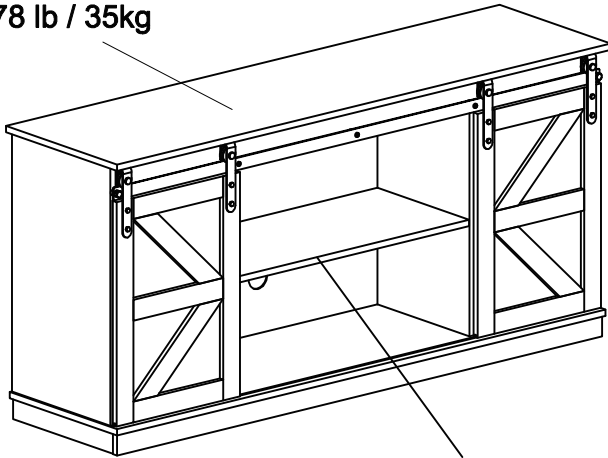
# ASSEMBLY INSTRUCTIONS



# WARNING !



**MAXIMUM LOAD**  
78 lb / 35kg



**MAXIMUM LOAD**  
20 lb / 9.1kg



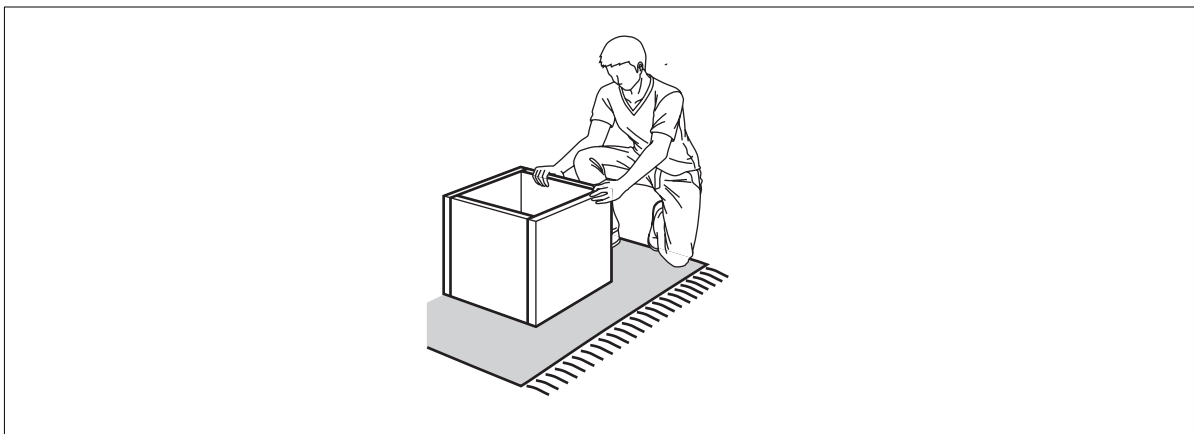
Estimated Time for Assembly

**120 mins**

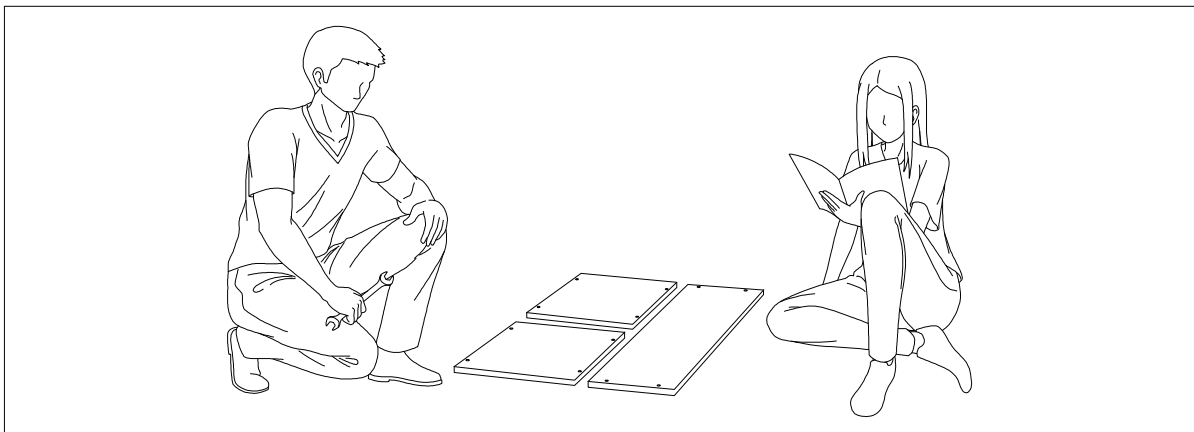


Weight Limitation

**20 lb** Shelf **78 lb** oTp



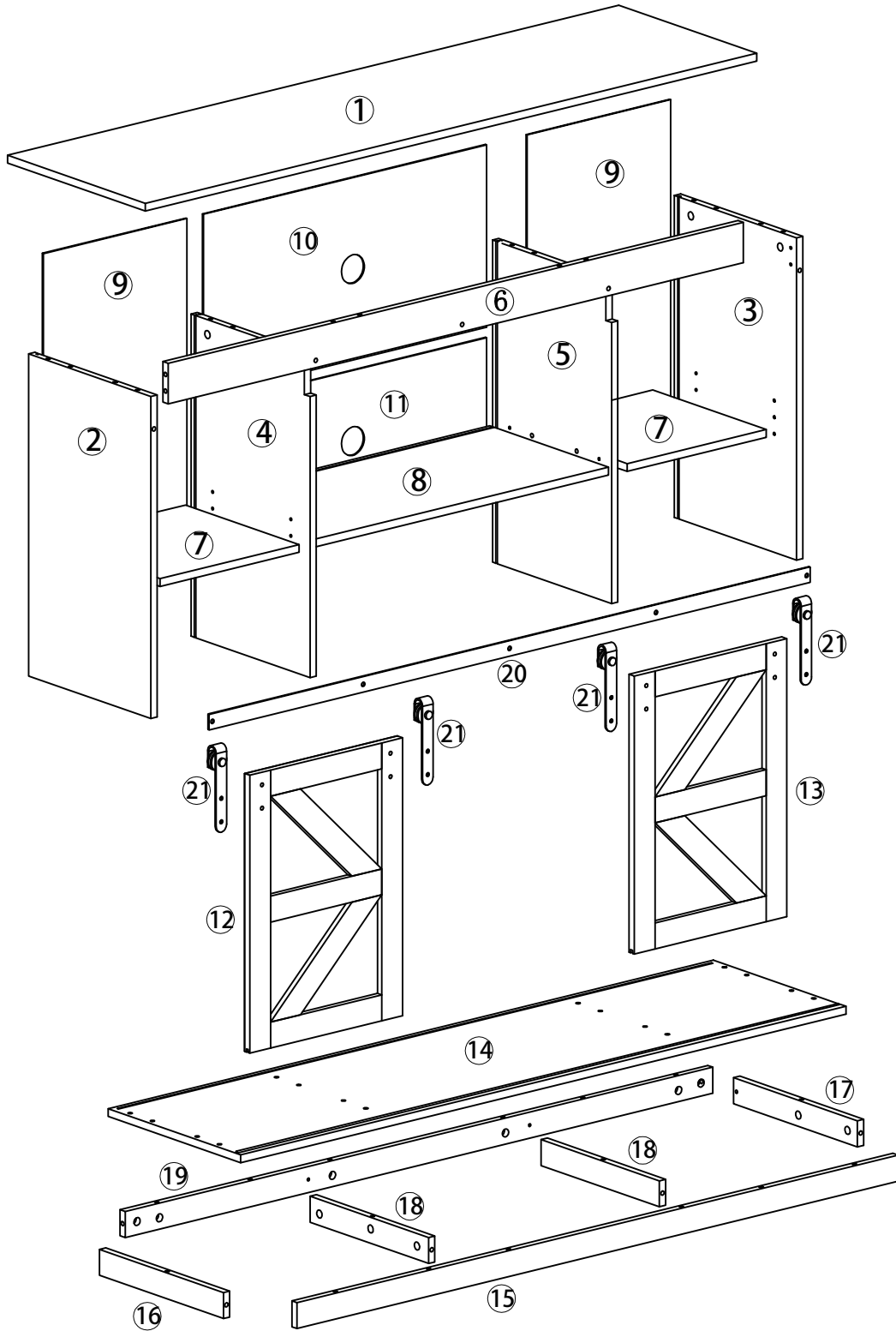
Assemble the furniture on empty carton, carpet, or rug to prevent scratches or damage.

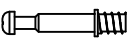












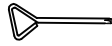




This furniture requires 2 people to assembly.

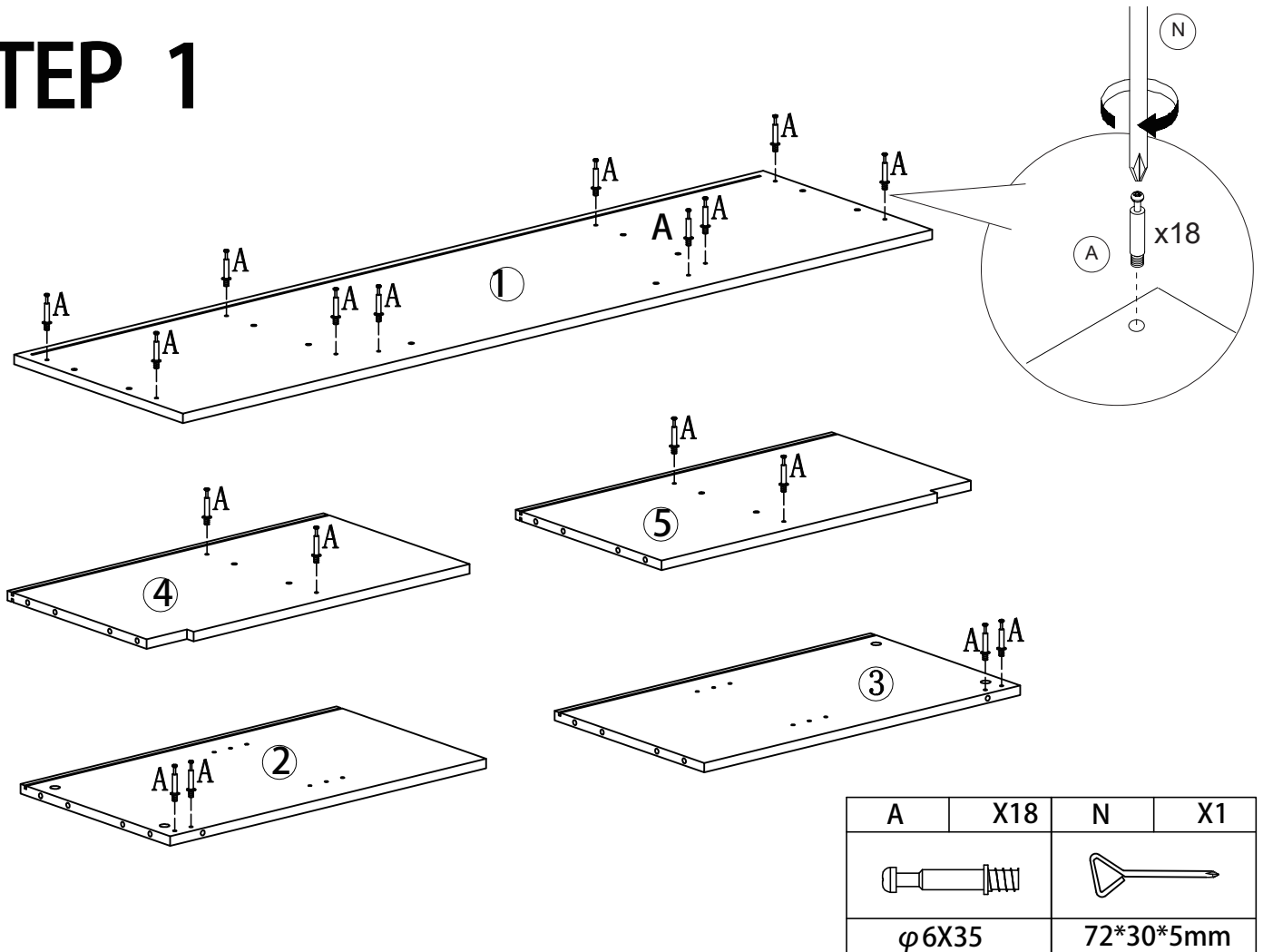
Make sure no parts are missing or damaged before assembly.

# PACKAGE CONTENT

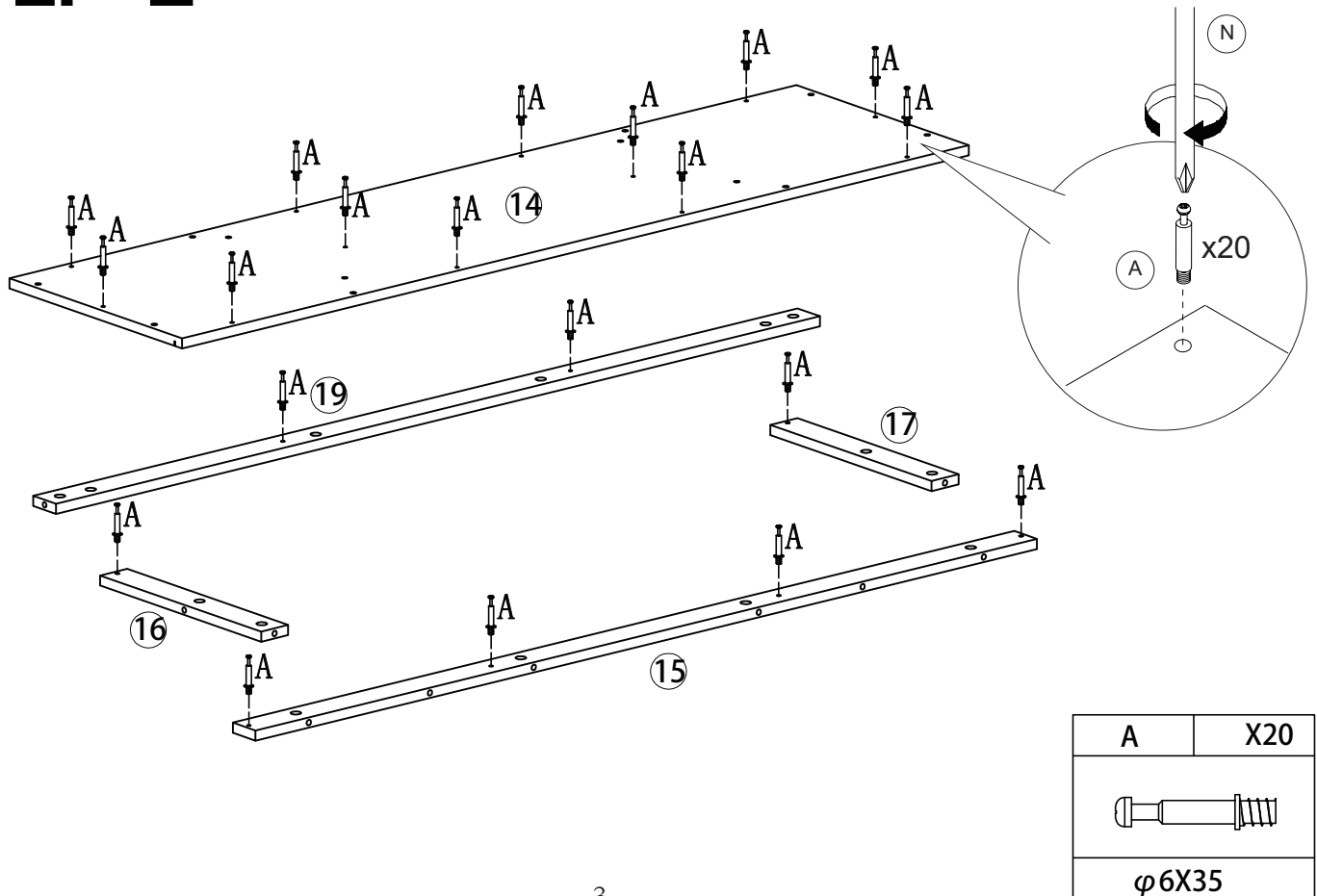


A	X38+1	B	X38+1	C	X26+1	D	X8+1	E	X1	F	X8	G	X8	H	X2
															
φ6X35		φ15X12		φ8X30		φ7X47		M4		M6*25mm		M6*10mm			
I	X3+1	J	X2	K	X3	L	X2	M	X8	N	X1	O	X6	P	X6+1
															
M6*32mm		M6*41mm		φ16*19mm		φ16*10mm		φ5*17		72*30*5mm				3.5*16mm	

# STEP 1

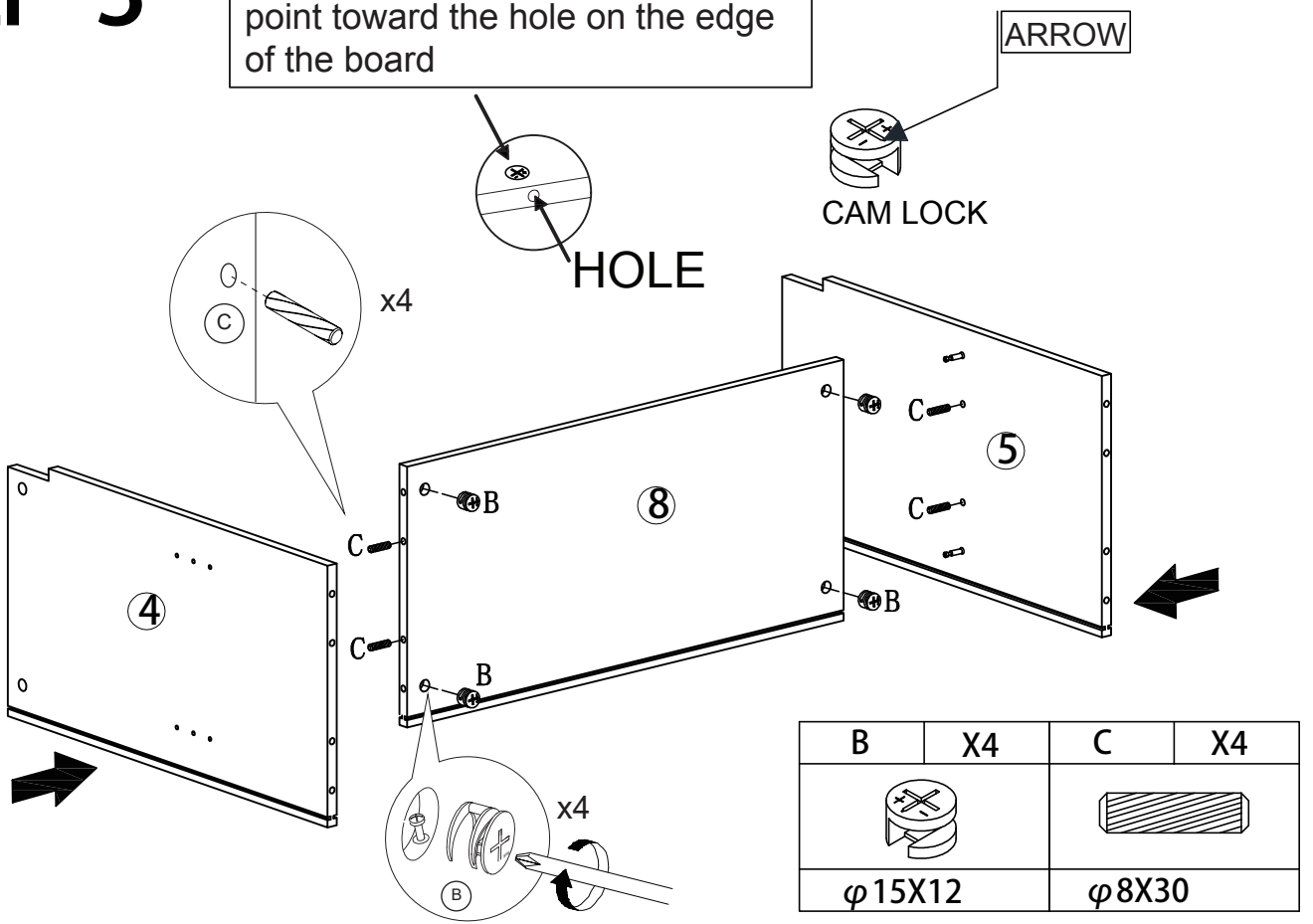


# STEP 2

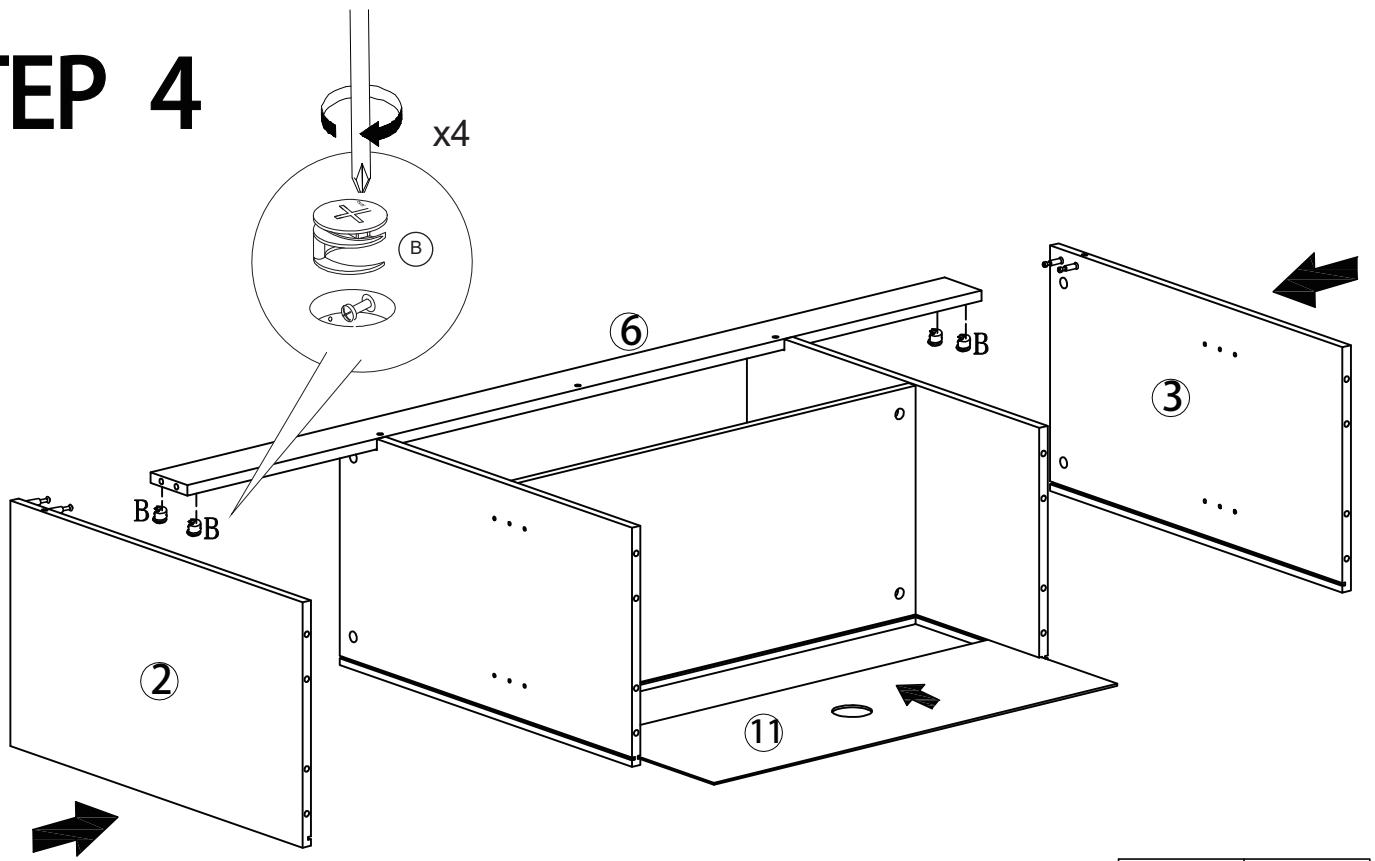


# STEP 3

Push a CAM LOCK into the part  
The arrow in the CAM LOCK must point toward the hole on the edge of the board

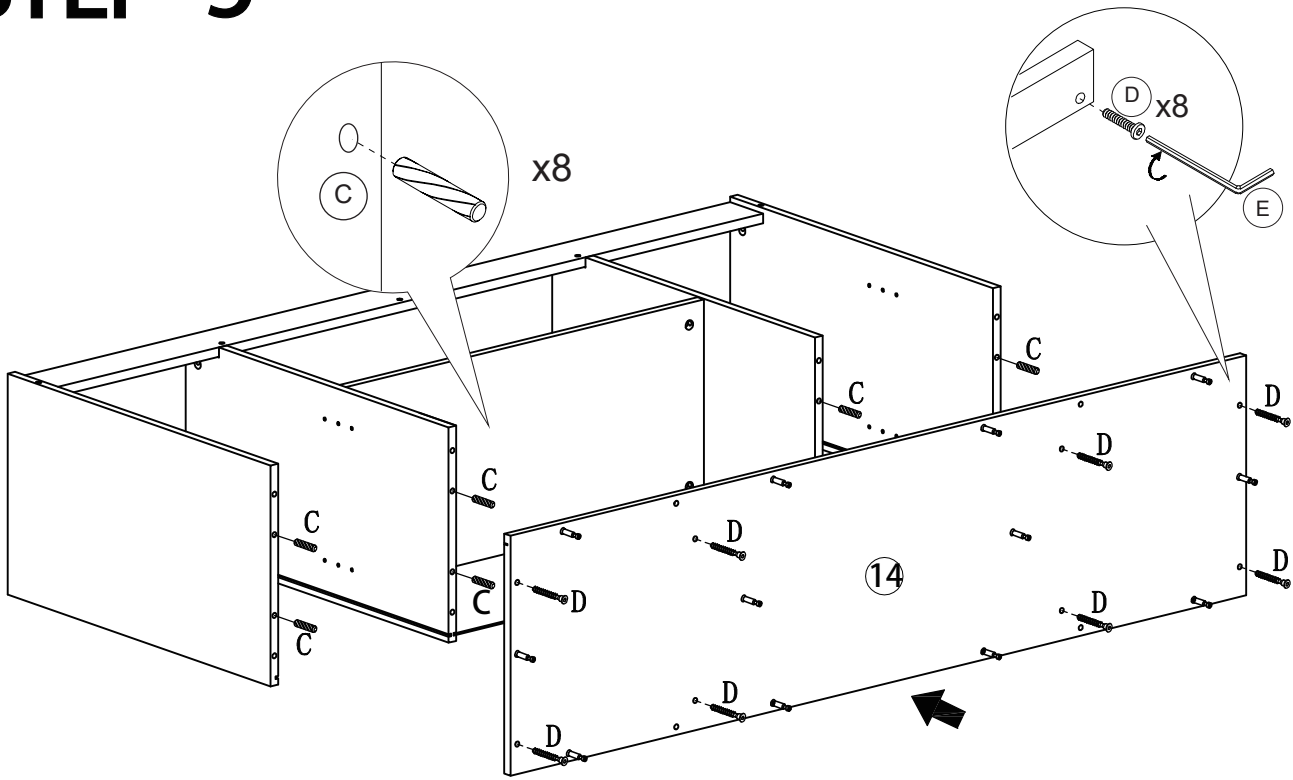





# STEP 4



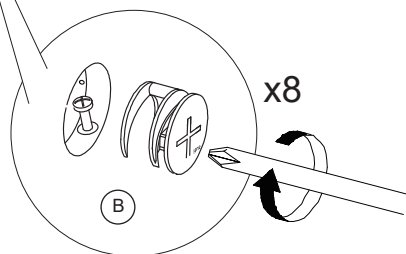
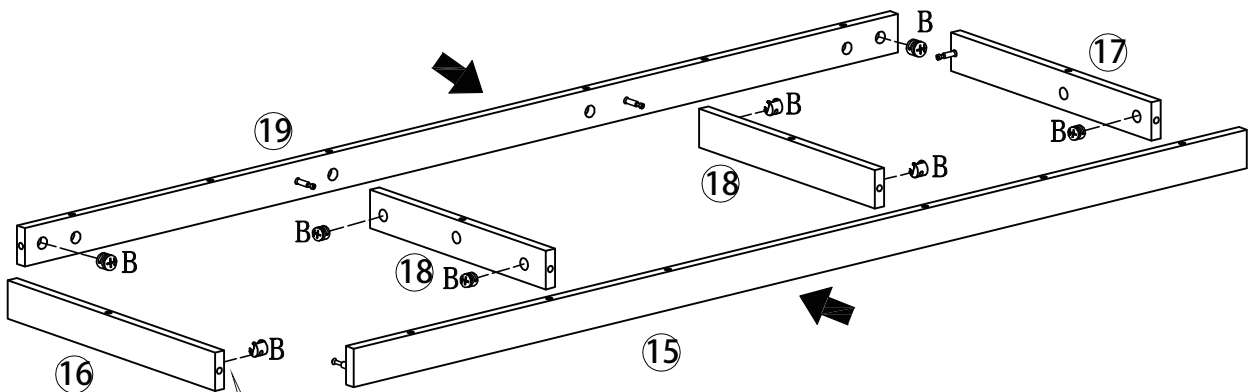
<b>B</b>	<b>X4</b>
$\phi 15X12$	


# STEP 5



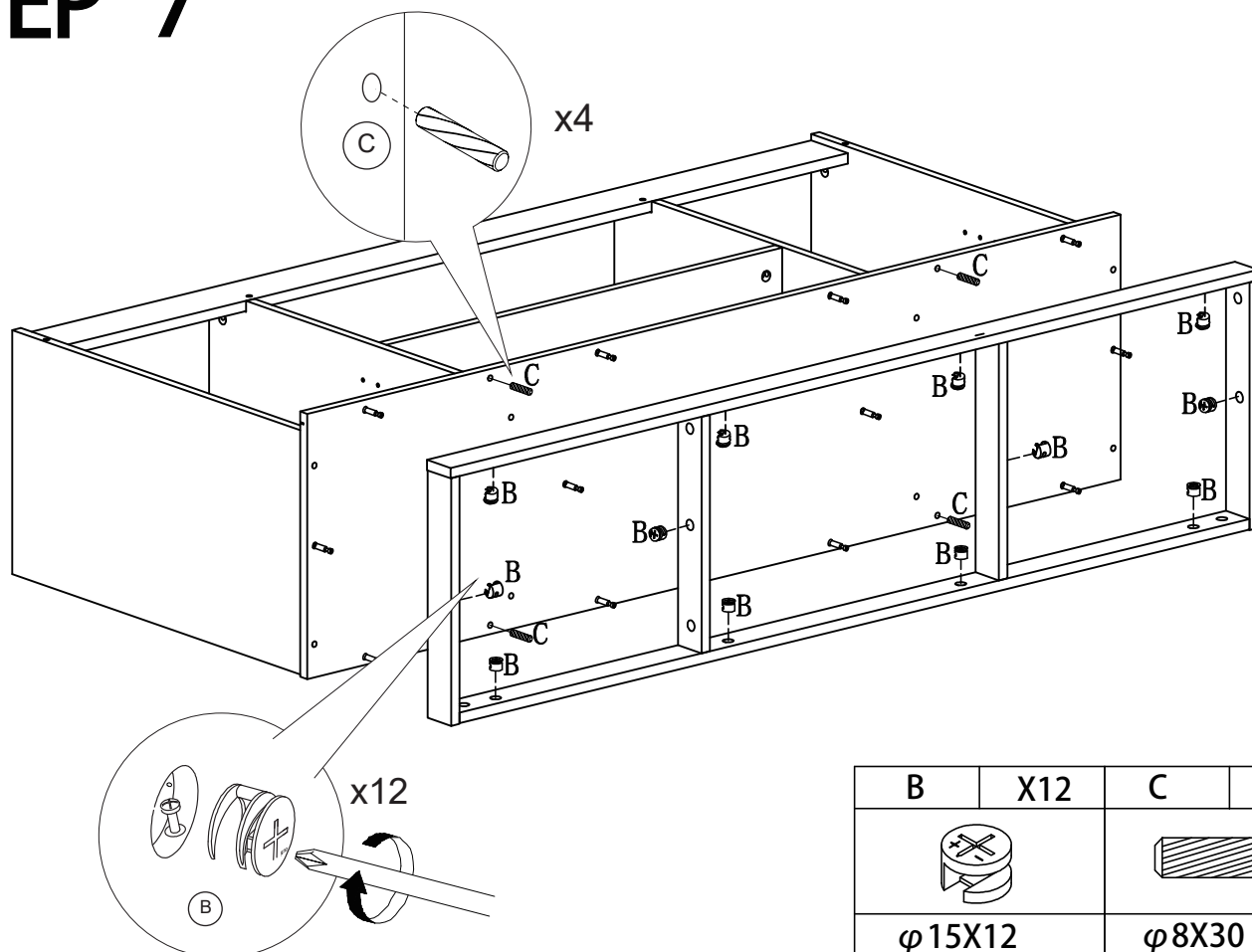
C	X8	D	X8	E	X1
					
$\phi 8 \times 30$		$\phi 7 \times 47$		M4X55	

# STEP 6

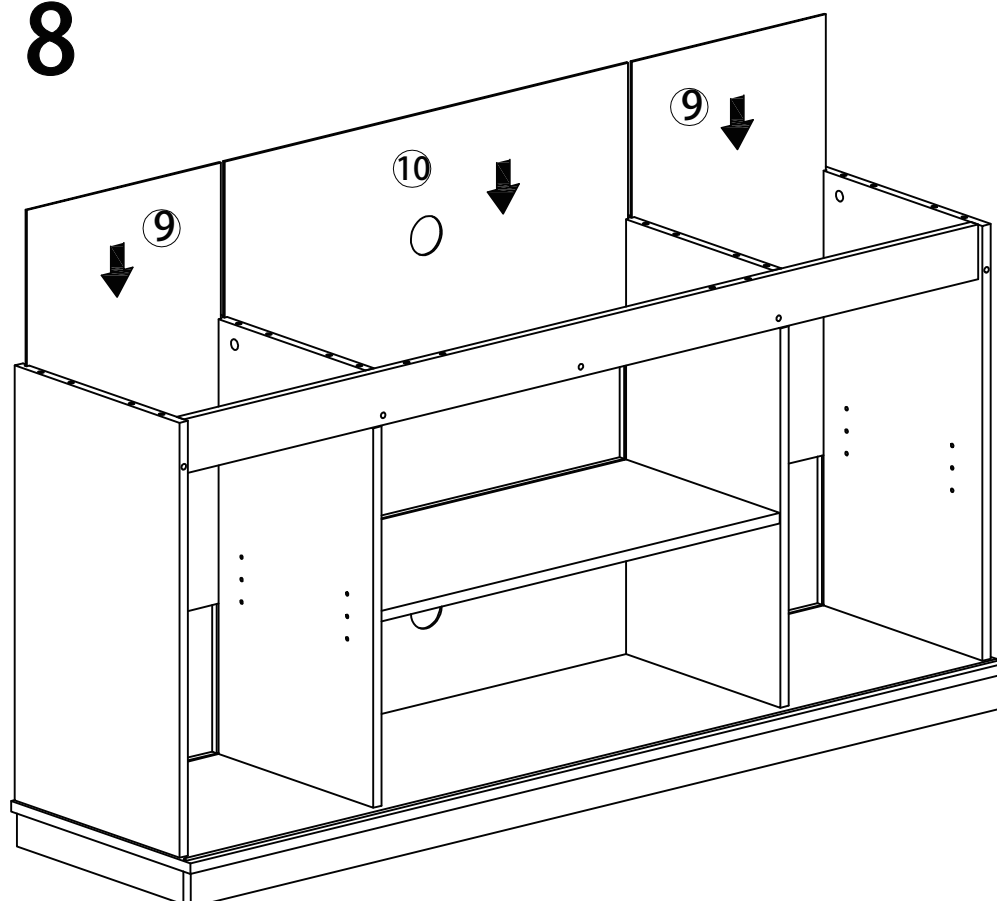


B	X8
	
$\phi 15 \times 12$	

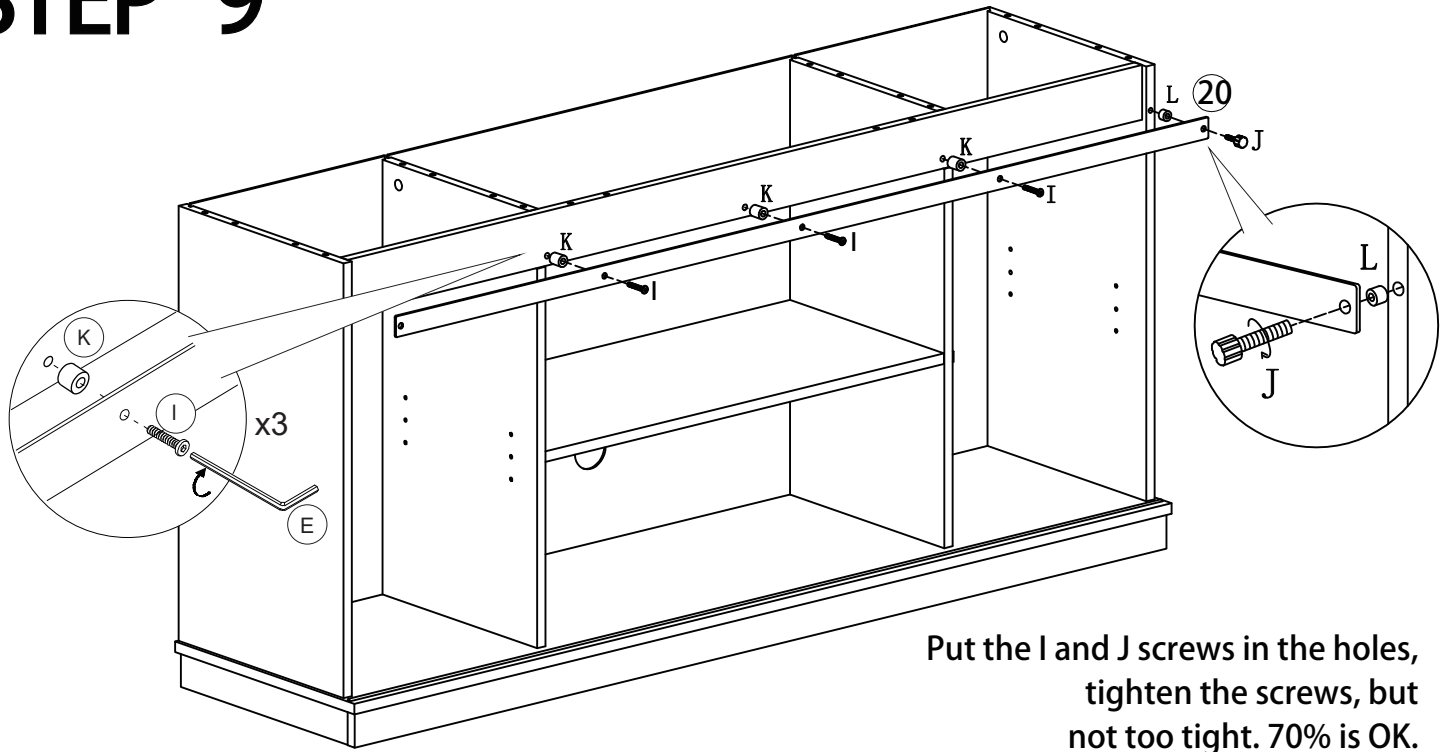
# STEP 7



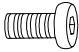
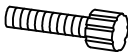


# STEP 8



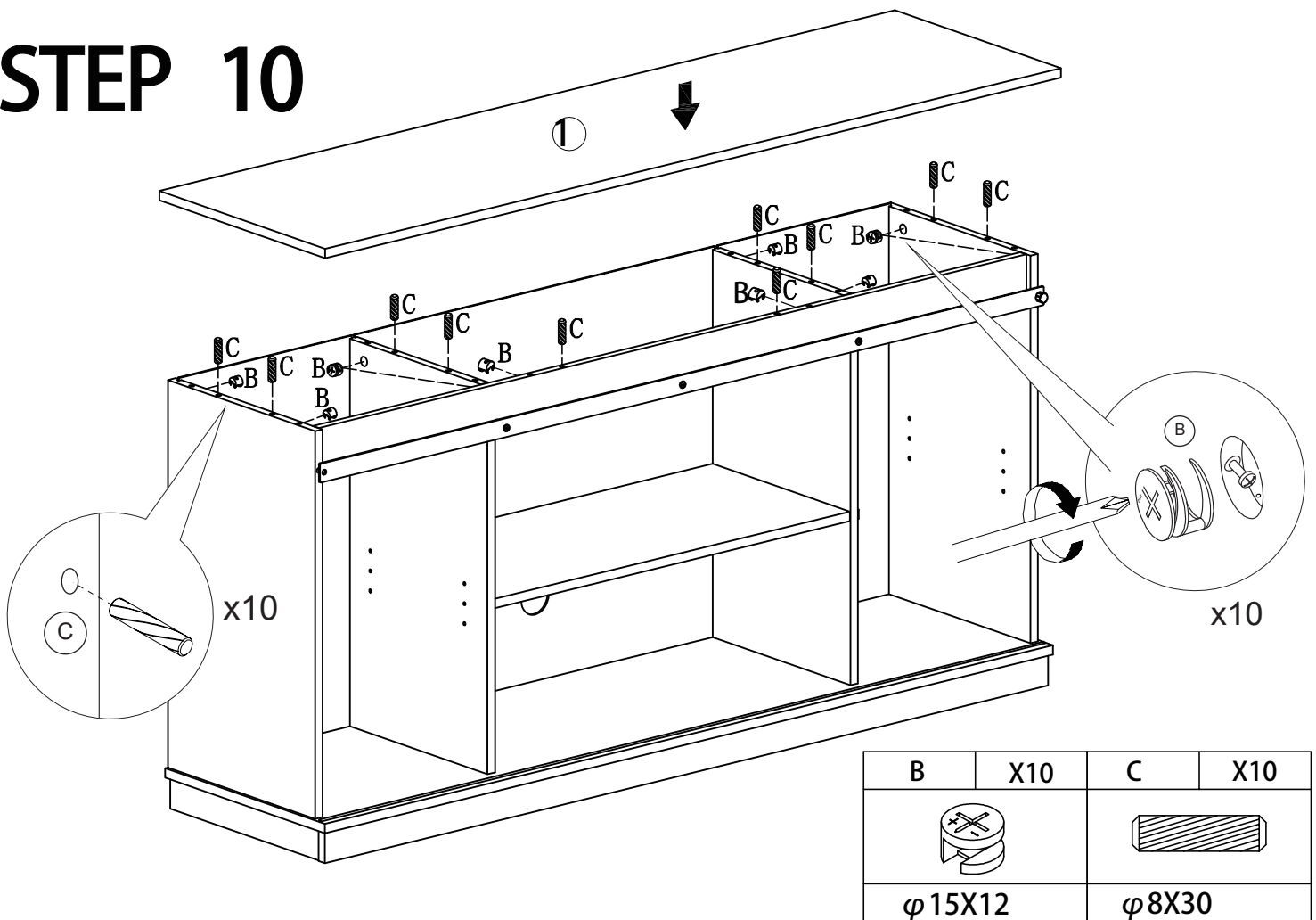
# STEP 9





Put the I and J screws in the holes, tighten the screws, but not too tight. 70% is OK.

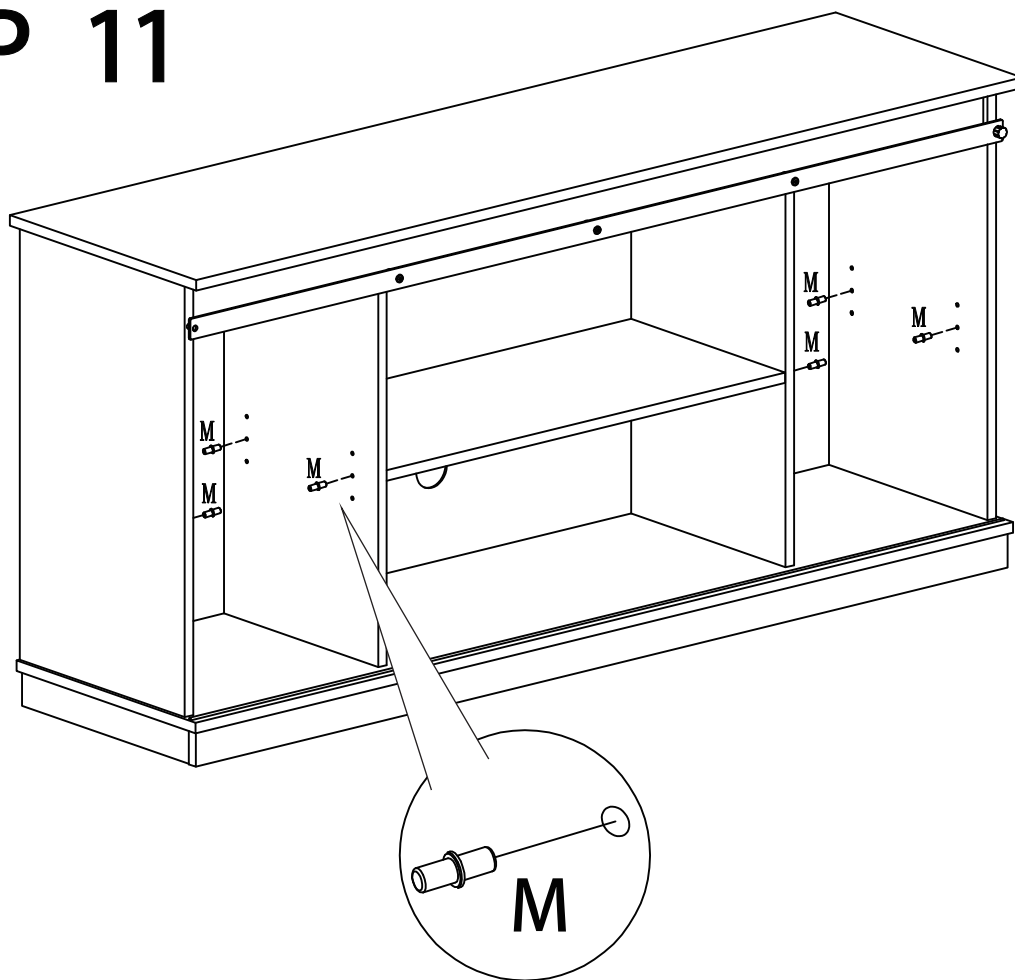
I	X3	J	X1	K	X3	L	X1
							
M6*32mm		M6*41mm		φ 16*19mm		φ 16*10mm	


# STEP 10



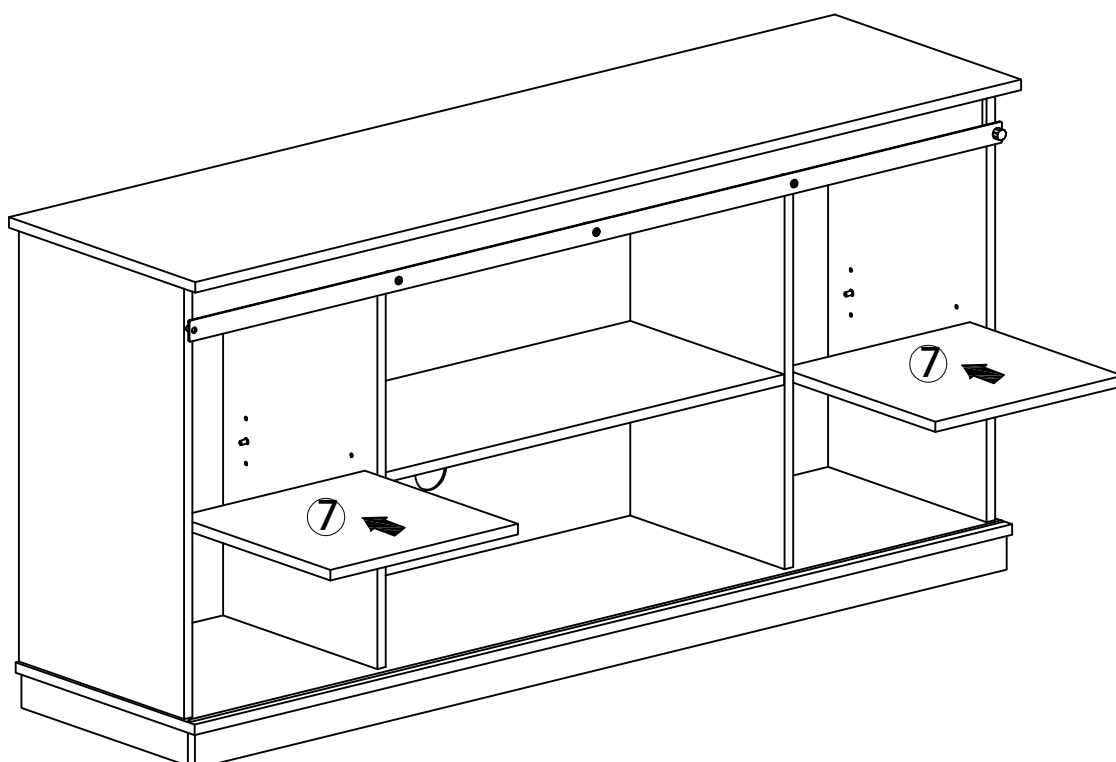
B	X10	C	X10
			
φ 15X12		φ 8X30	

# STEP 11

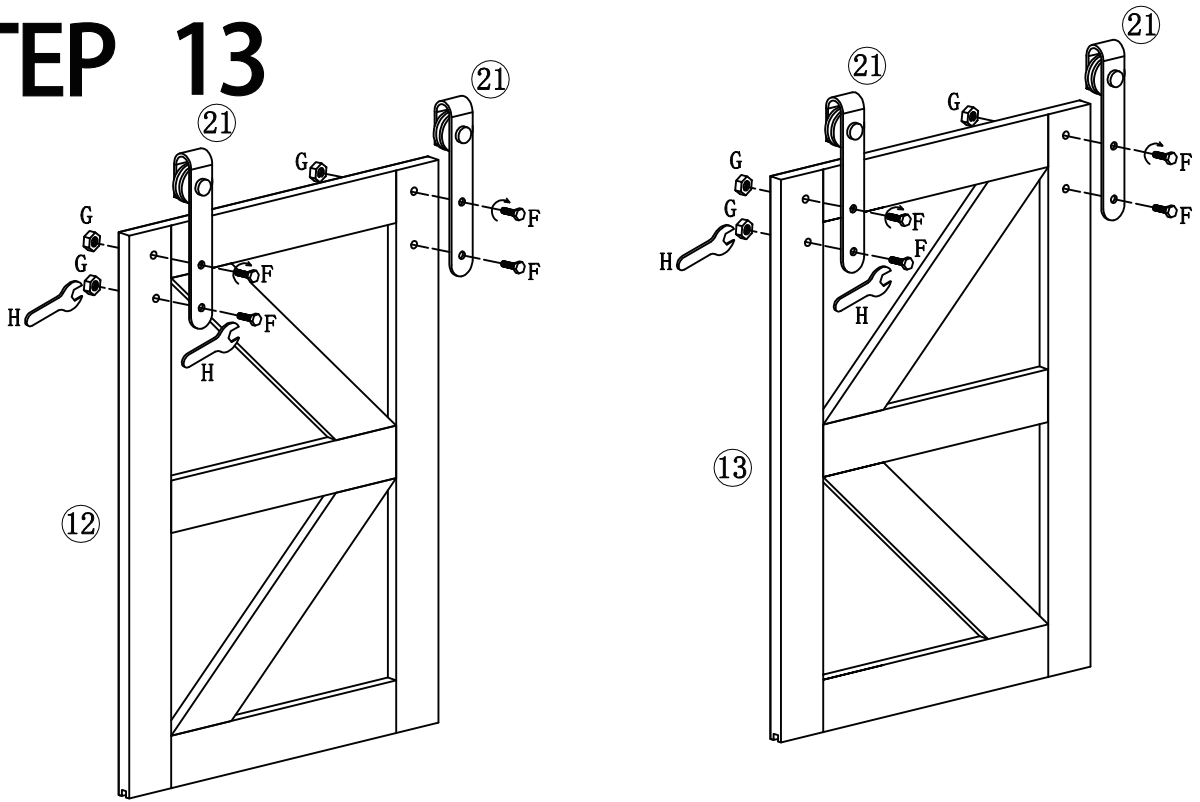





M	X8
	
φ5*17	

# STEP 12

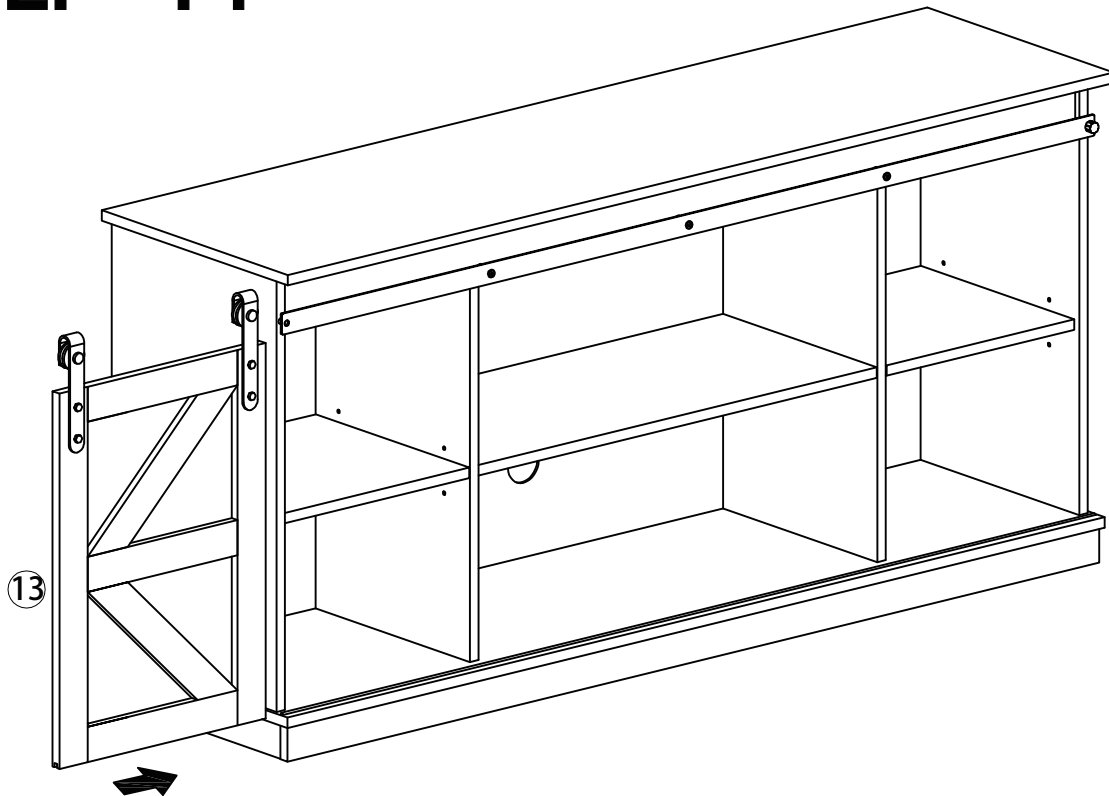


# STEP 13

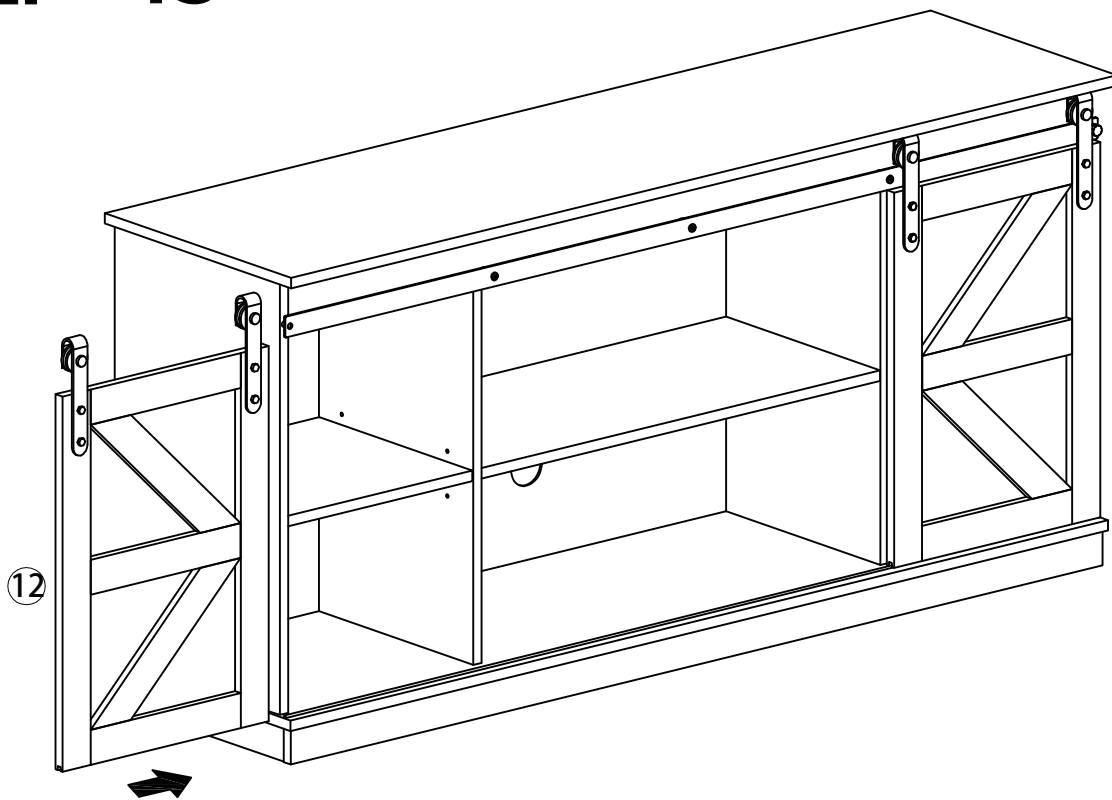


F	X8	G	X8	H	X2
					
M6*25mm		M6*10mm			

# STEP 14

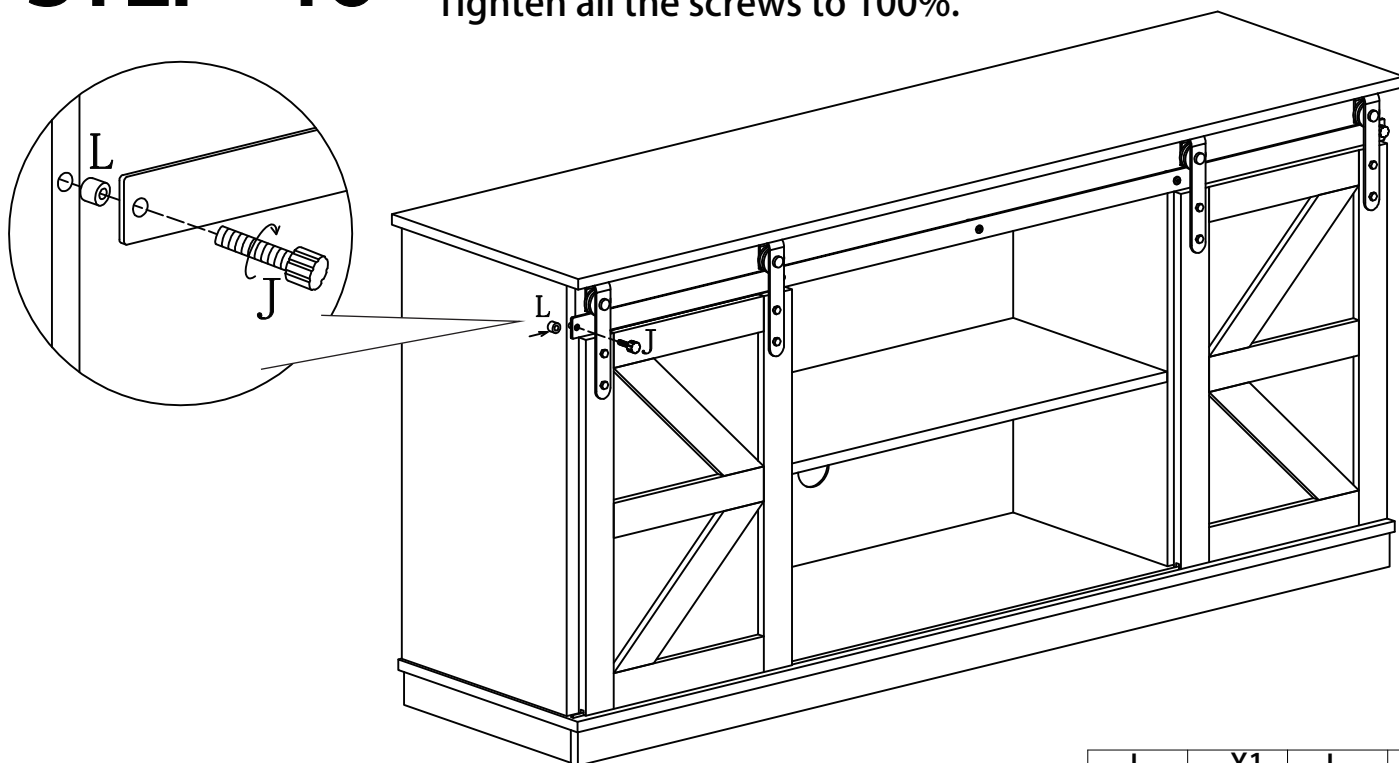


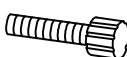

# STEP 15



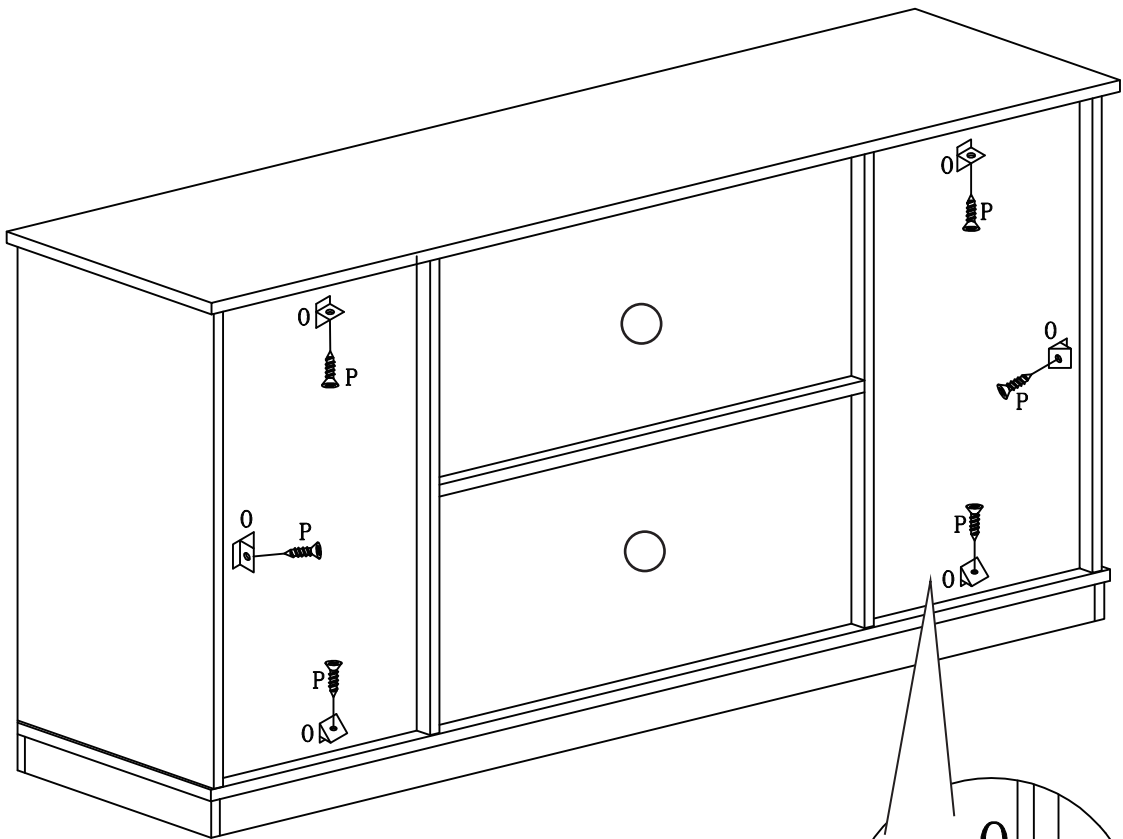
# STEP 16

Tighten all the screws to 100%.

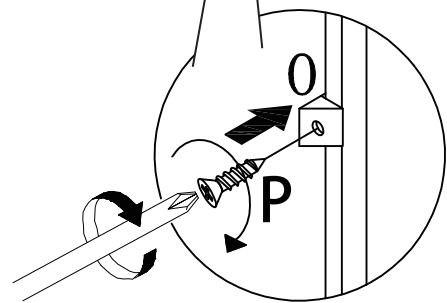




J	X1	L	X1
			
M6*41mm		φ16*10mm	

# STEP 17



**FINISH!**



O	X6	P	X6
			
		3.5*16mm	

# FURNITURE CARE AND MAINTENANCE

## Medium - Density Fiberboard

Thank you for your purchase. We want your item to last as long as possible. To ensure the product gives you years of service, please refer to this care and maintenance guide.



### MAINTENANCE

- Tighten all bolts and screws again within the first 2 weeks of assembly
- Check the tightness of all bolts every 2 months, tighten them if necessary



### CLEANING

- Clean the surface of the MDF (medium - density fiberboard) with a lightly dampened cloth.
- Small amount of mild soap can be used if necessary
- Dry the surface immediately after cleaning.

- ⚠ DO NOT use bleach or alcohol detergent to clean the surface.
- ⚠ DO NOT apply wood treatment on parts made with MDF.

Medium - density fiberboard will swell and distort when suffer from water damage. Make sure to dry the furniture immediately after cleaning