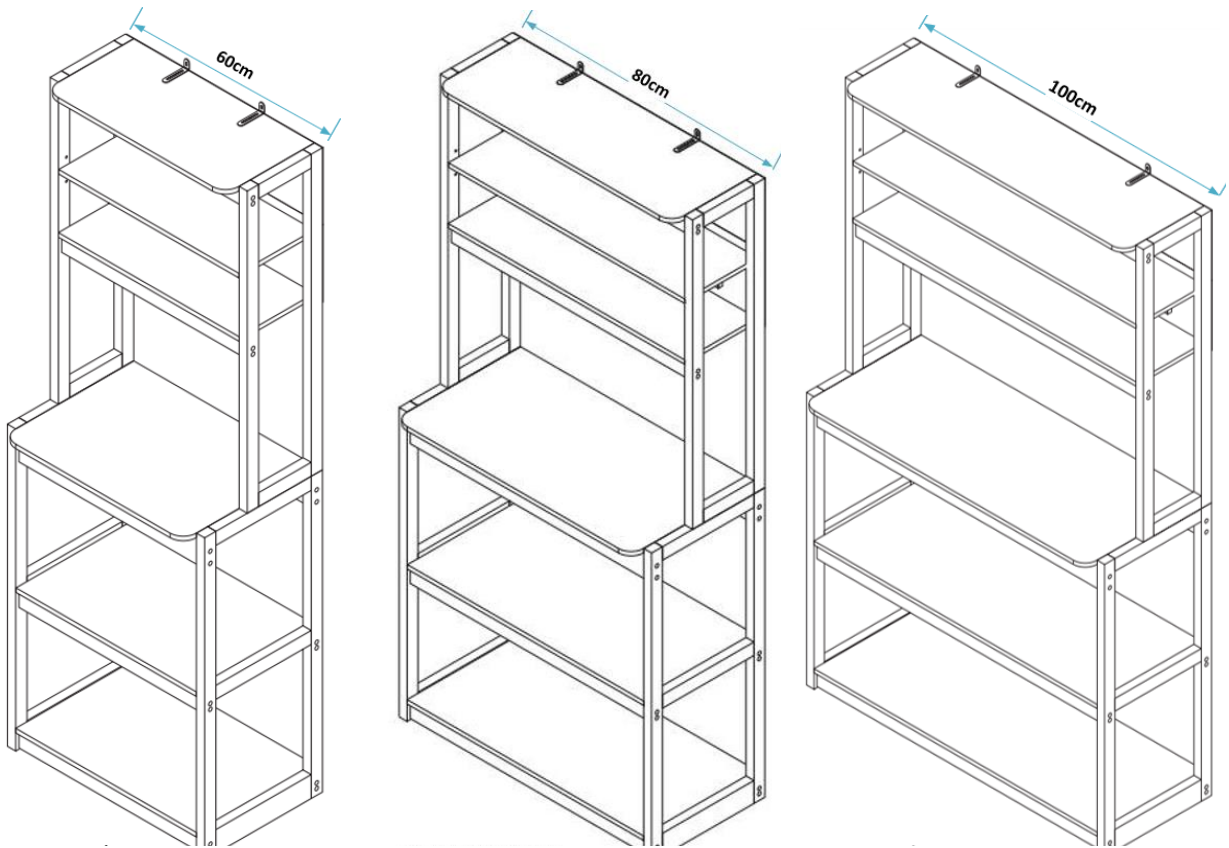


Assembly Instruction



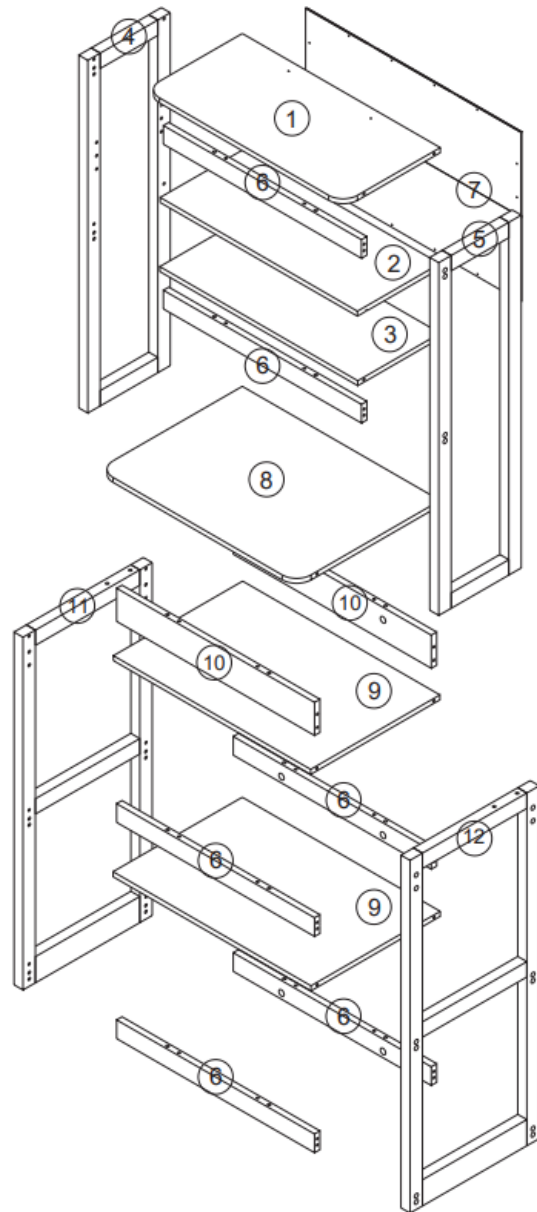
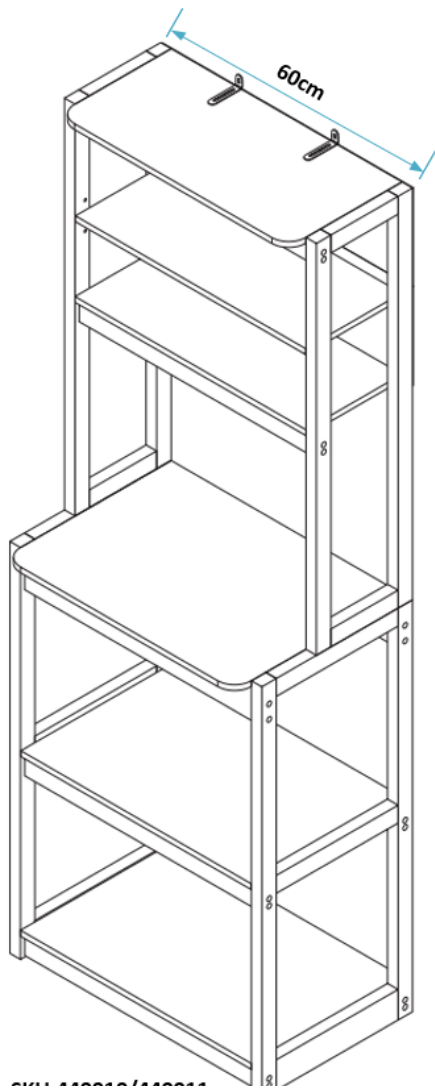
Product name

5-Tier Coffee Bar, Kitchen Bakers Rack

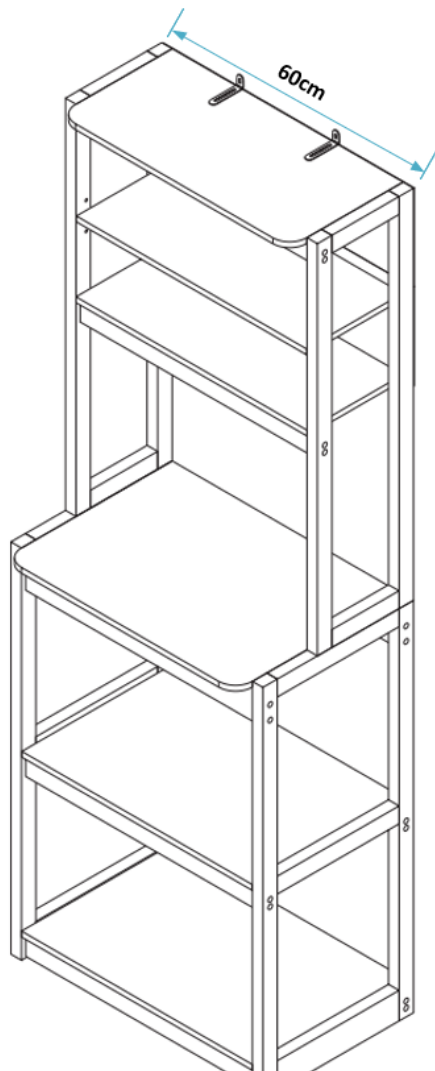
The Accessories

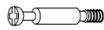









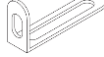

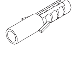

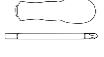
Notes:

As shown in the figure: Numbers ①-⑫ show the components of the bakers rack

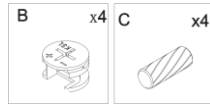
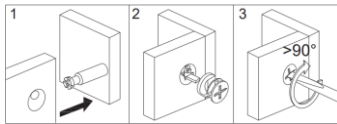
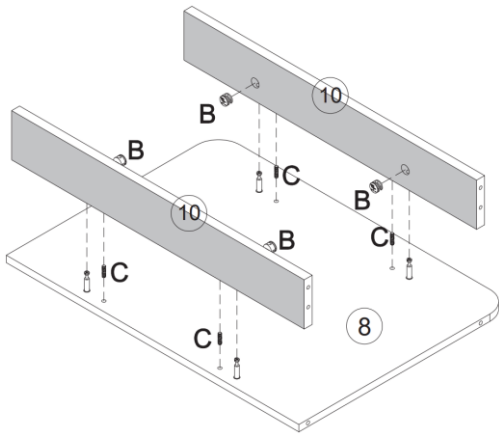


The Hardware

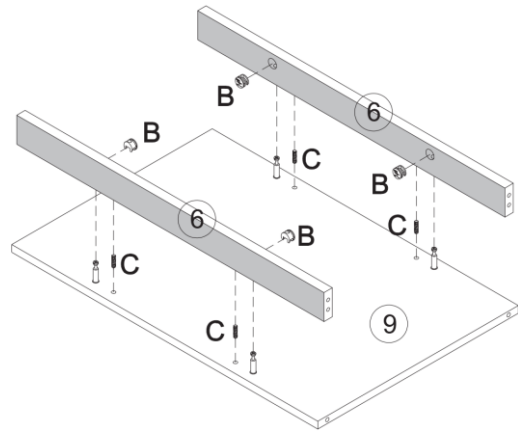


Code	Description	Qty
A	 $\phi 6 \times 35 \text{mm}$	16
B	 $\phi 15 \times 10 \text{mm}$	16
C	 $\phi 6 \times 30 \text{mm}$	36
D	 $\phi 7 \times 50 \text{mm}$	36
E	 $\phi 3 \times 12 \text{mm}$	16
F	 $\phi 3 \times 14 \text{mm}$	8
G	 4	4
H	 2	2
I	 $\phi 15$	36
J	 $\phi 4$	1
K	 2	2
L	 $\phi 4 \times 10 \text{mm}$	2
M	 2	2
N	 $\phi 4 \times 35 \text{mm}$	2
P	 1	1

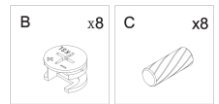
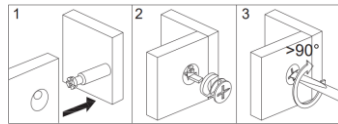
Step 5



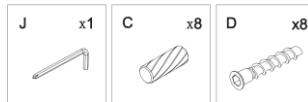
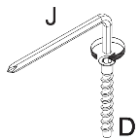
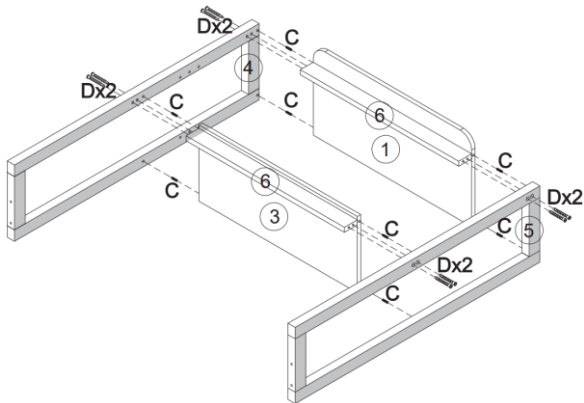
Step 6



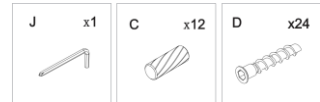
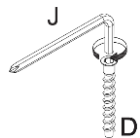
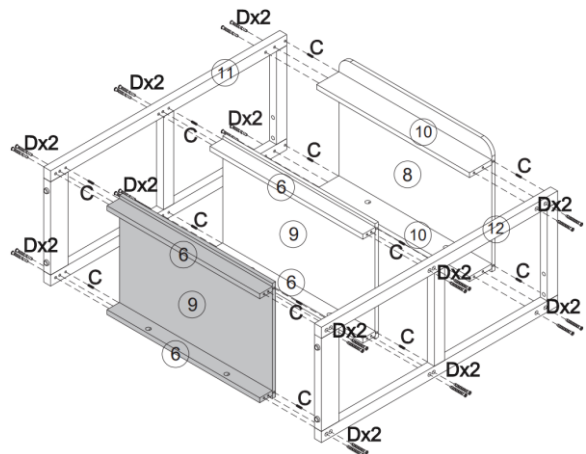
x2



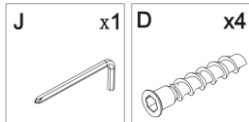
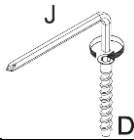
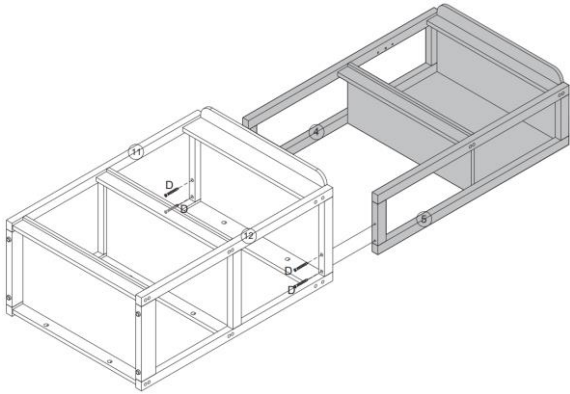
Step 7



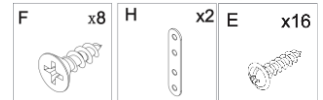
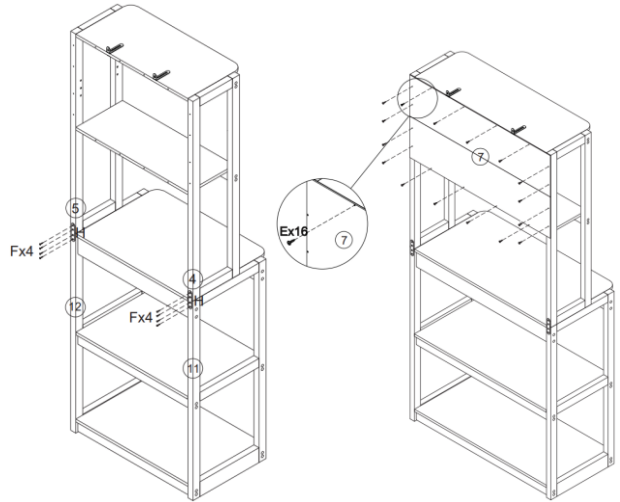
Step 8



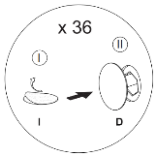
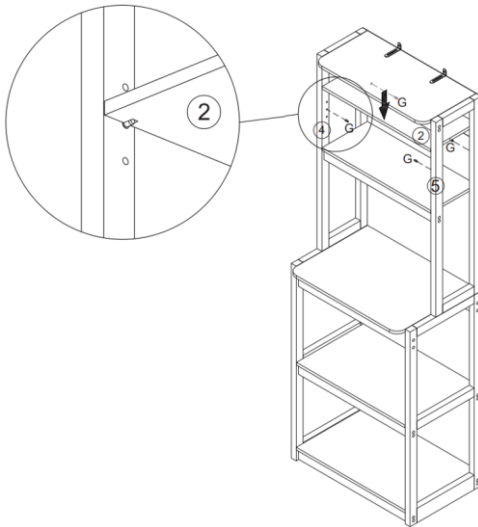
Step 9



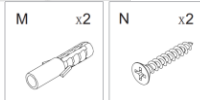
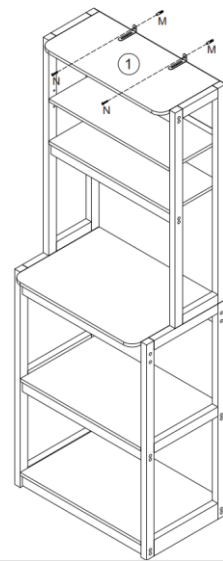
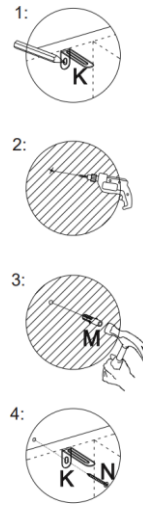
Step 10



Step 11



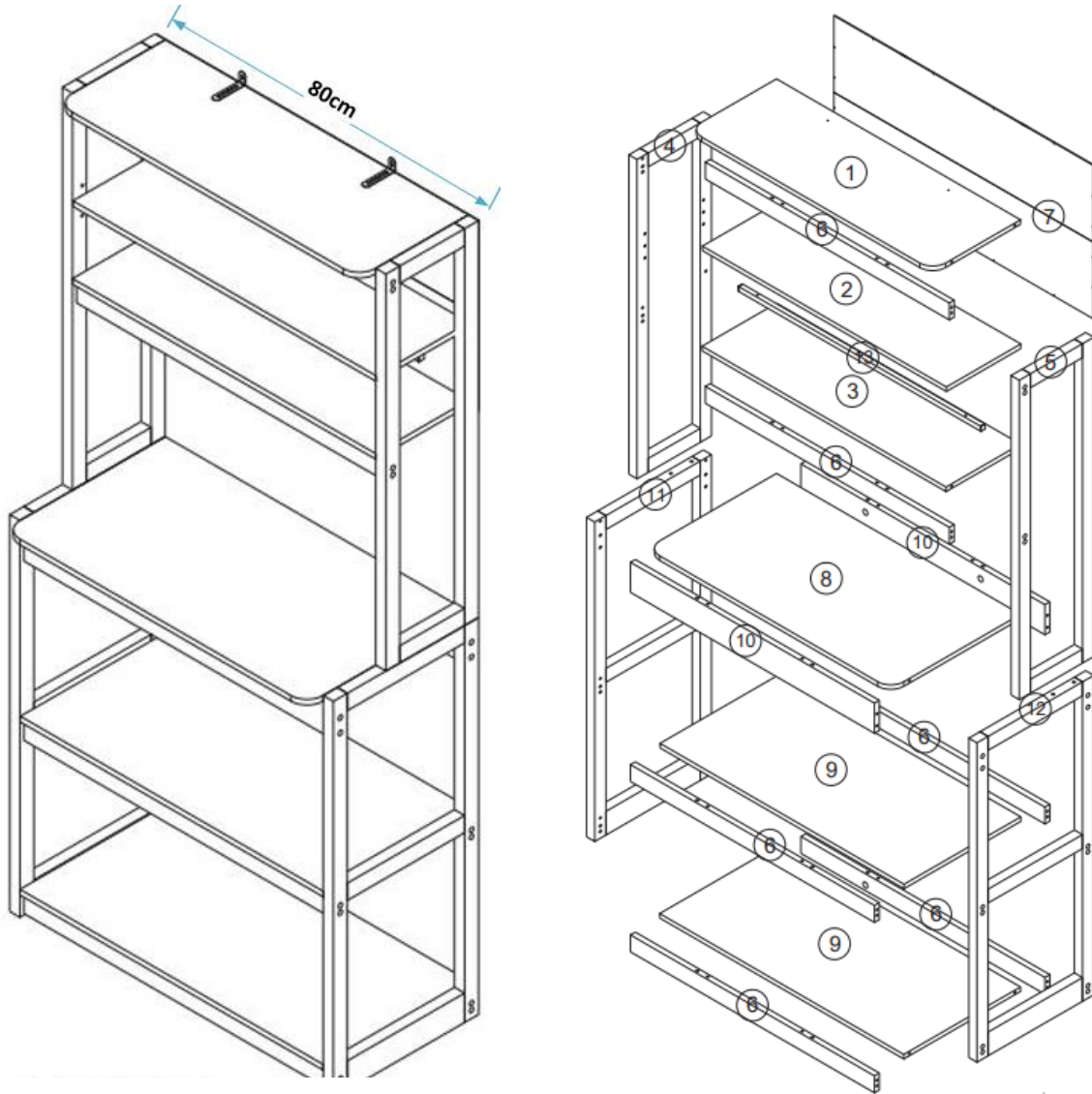
Step 12



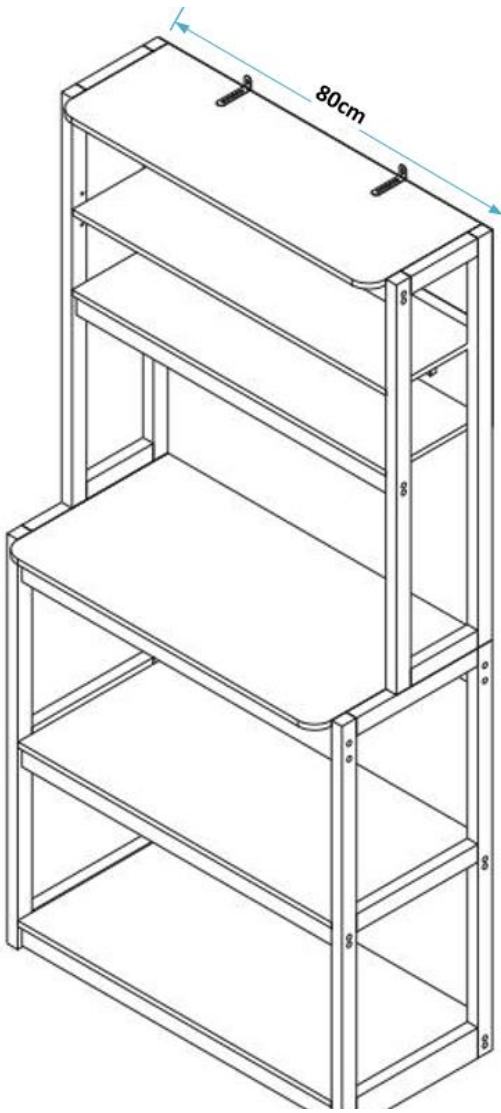
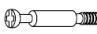






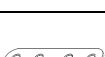
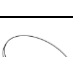


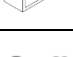
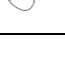
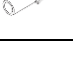


The Accessories

Notes:

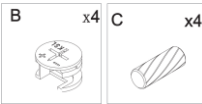
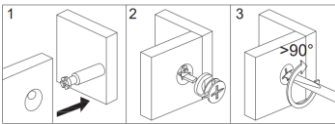
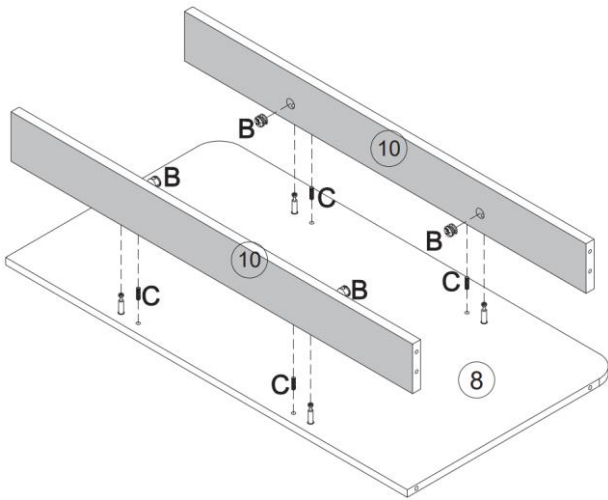
As shown in the figure: Numbers ①-⑬ show the components of the bakers rack



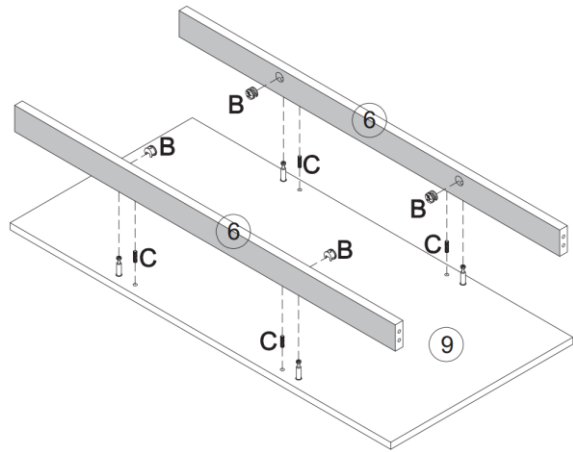
The Hardware

	Code	Description	Qty
	A	 $\phi 6 \times 35 \text{mm}$	16
	B	 $\phi 15 \times 10 \text{mm}$	16
	C	 $\phi 6 \times 30 \text{mm}$	36
	D	 $\phi 7 \times 50 \text{mm}$	36
	E	 $\phi 3 \times 12 \text{mm}$	16
	F	 $\phi 3 \times 14 \text{mm}$	8
	G		4
	H		2
	I	 $\phi 15$	36
	J	 $\phi 4$	1
	K		2
	L	 $\phi 4 \times 10 \text{mm}$	2
	M		2
	N	 $\phi 4 \times 35 \text{mm}$	2
	O	 $\phi 4 \times 22 \text{mm}$	3
	P		1

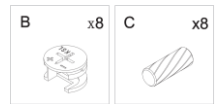
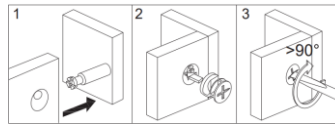
Step 5



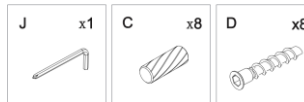
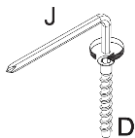
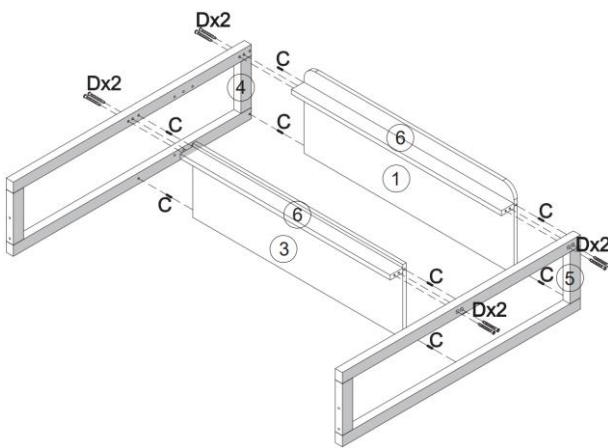
Step 6



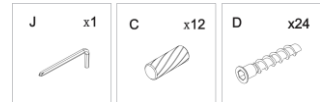
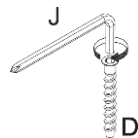
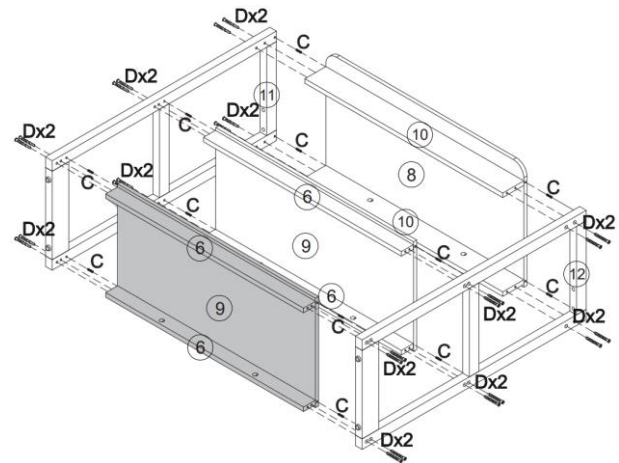
x2



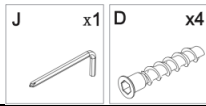
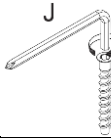
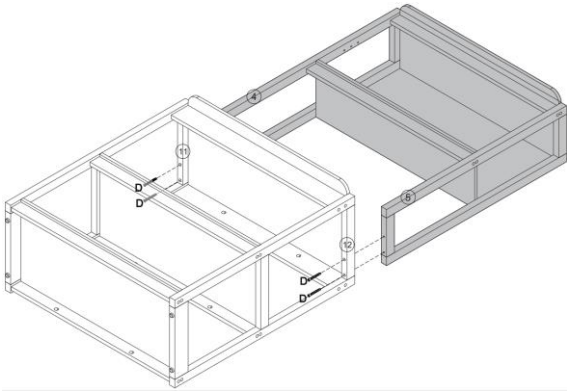
Step 7



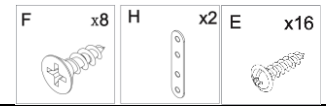
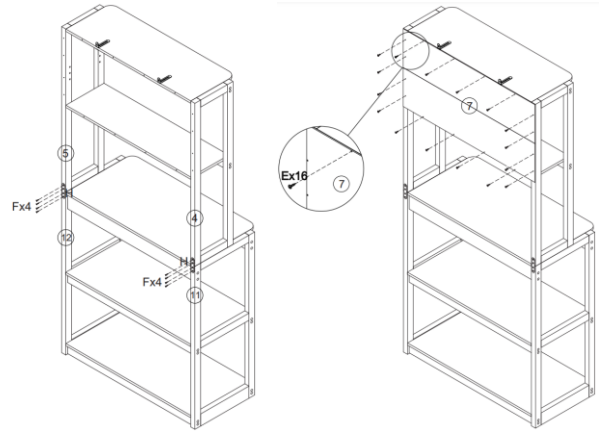
Step 8



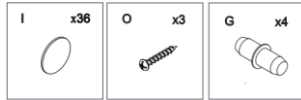
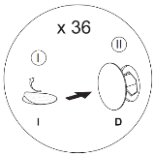
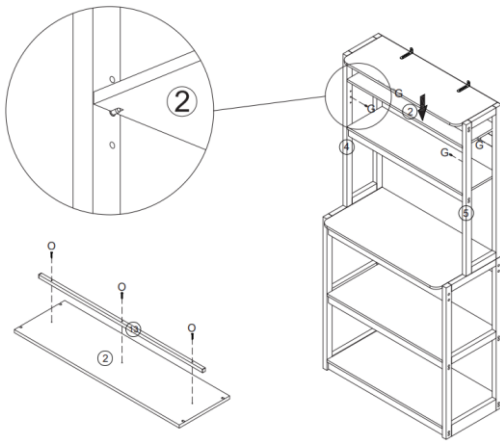
Step 9



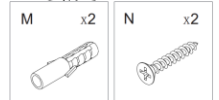
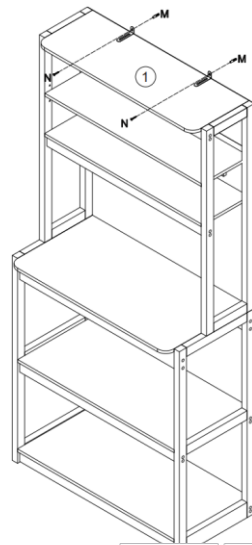
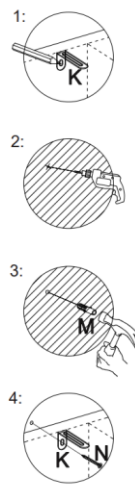
Step 10



Step 11



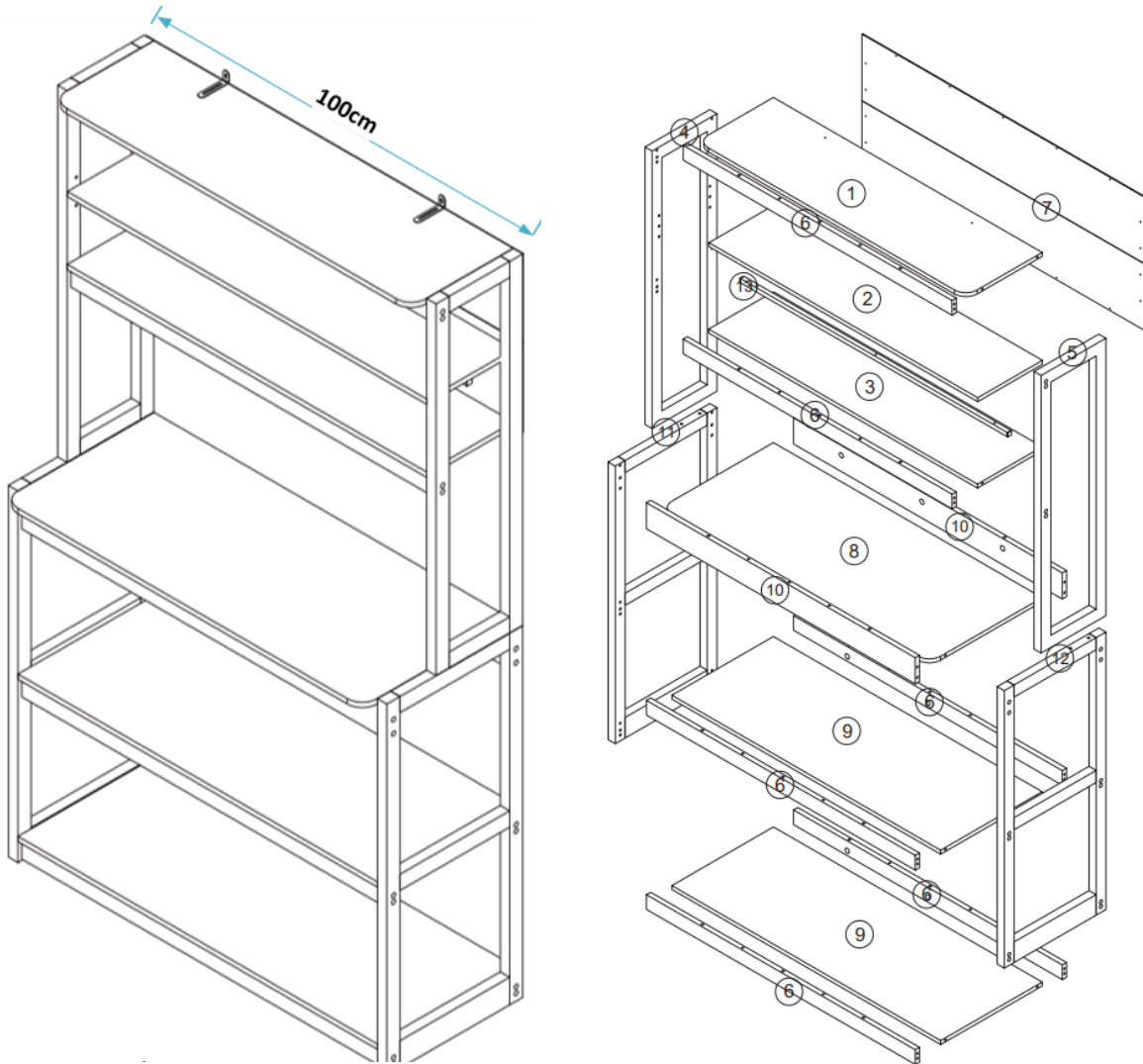
Step 12



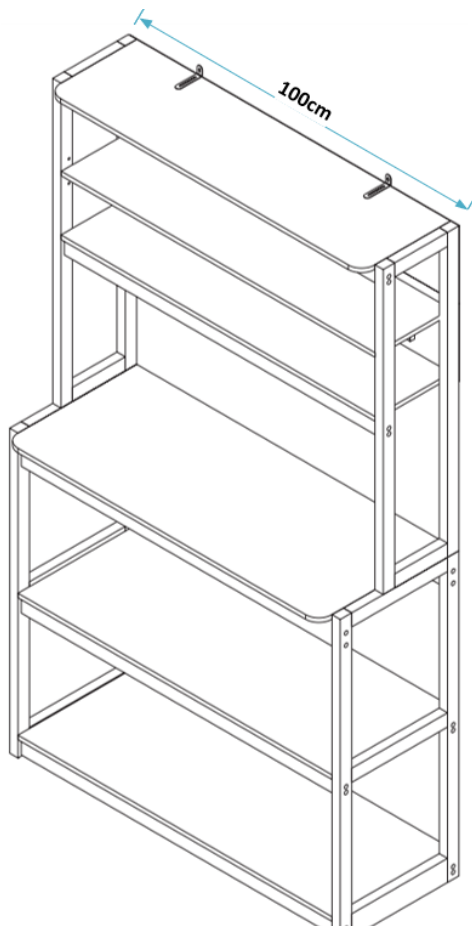
The Accessories

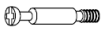















Notes:

As shown in the figure: Numbers ①-⑬ show the components of the bakers rack



The Hardware



Code	Description	Qty
A	 $\phi 6 \times 35 \text{mm}$	24
B	 $\phi 15 \times 10 \text{mm}$	24
C	 $\phi 6 \times 30 \text{mm}$	36
D	 $\phi 7 \times 50 \text{mm}$	36
E	 $\phi 3 \times 12 \text{mm}$	18
F	 $\phi 3 \times 14 \text{mm}$	8
G	 4	4
H	 2	2
I	 $\phi 15$	36
J	 $\phi 4$	1
K	 2	2
L	 $\phi 4 \times 10 \text{mm}$	2
M	 2	2
N	 $\phi 4 \times 35 \text{mm}$	2
O	 $\phi 4 \times 22 \text{mm}$	3
P	 1	1

Assembling

Step 1

180°

A

K x2 L x2 A x6

Step 2

A

8

9

X2

A x18

Step 3

B

C

6

1

1 2 3 >90°

B x3 C x2

Step 4

B

C

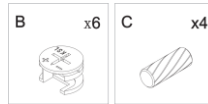
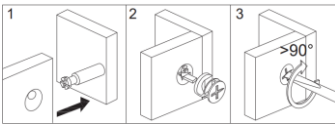
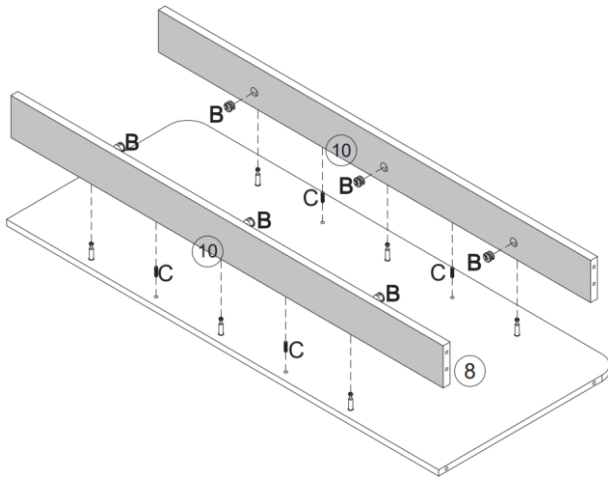
6

3

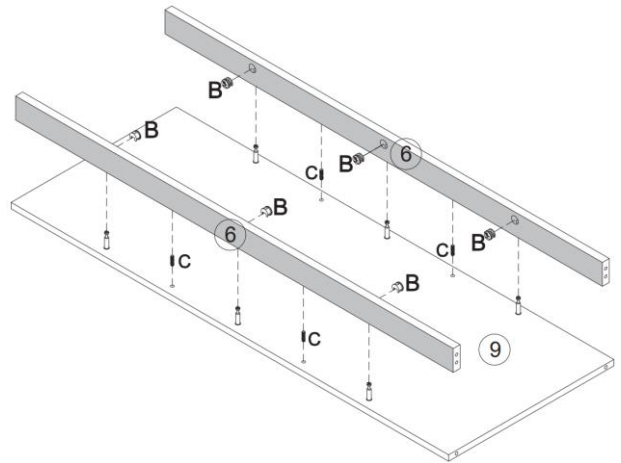
1 2 3 >90°

B x3 C x2

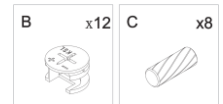
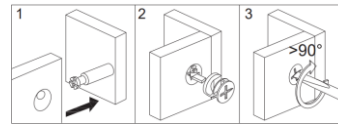
Step 5



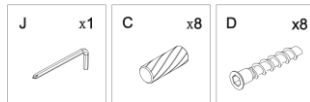
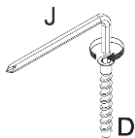
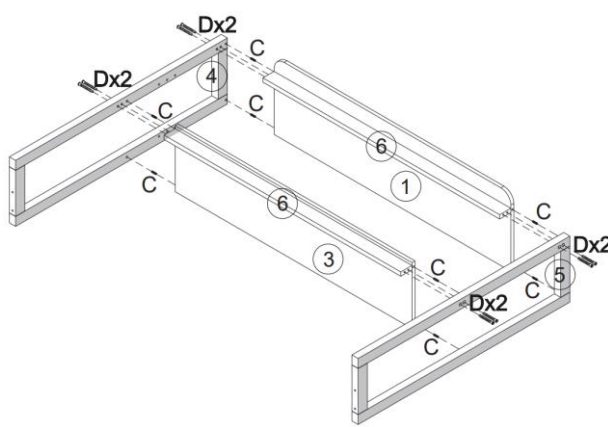
Step 6



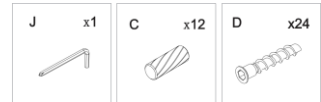
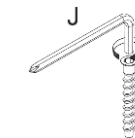
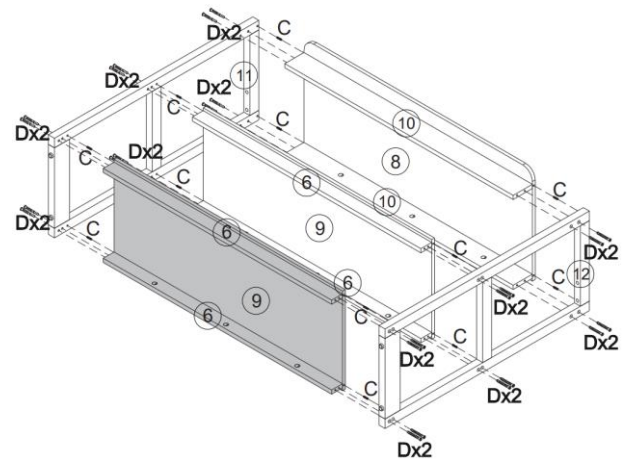
x2



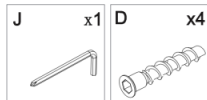
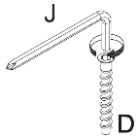
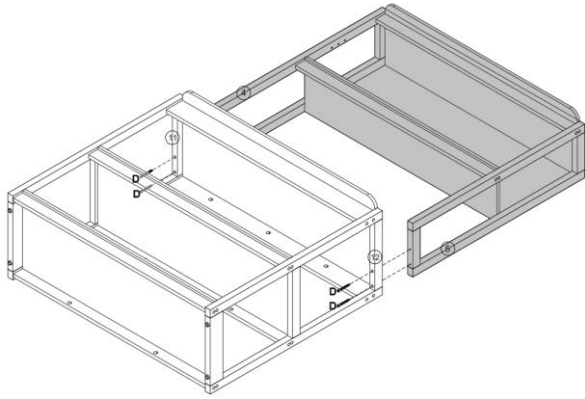
Step 7



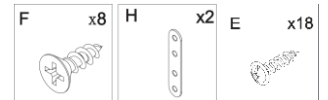
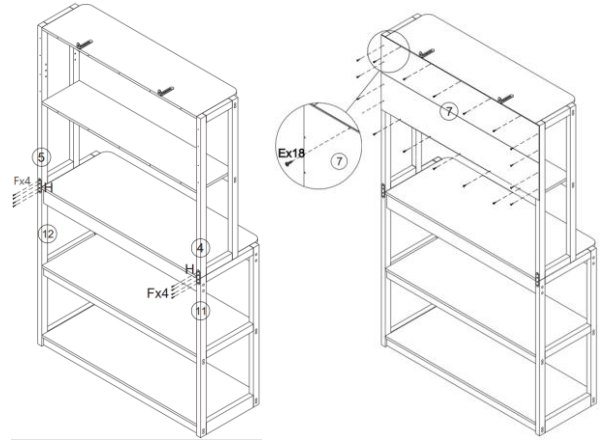
Step 8



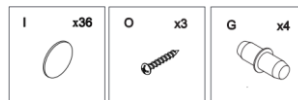
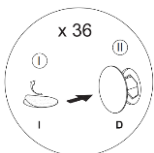
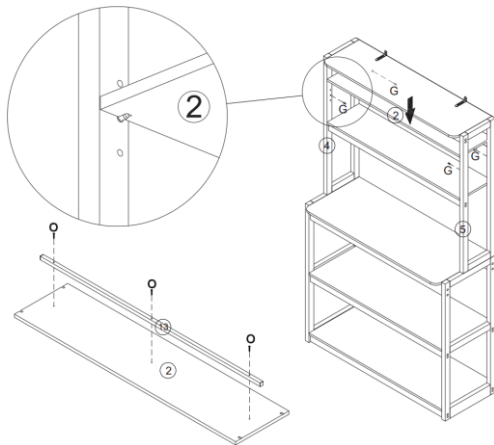
Step 9



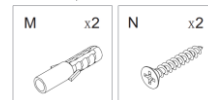
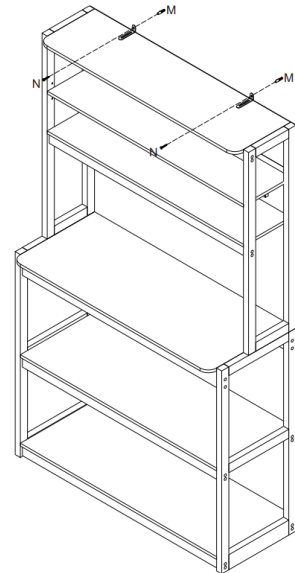
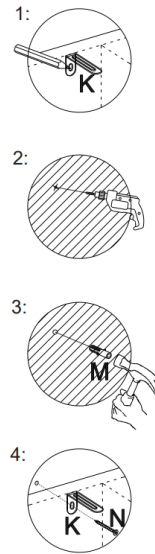
Step 10



Step 11



Step 12



Assembly Guidelines & Precautions

Guidelines

- Read and follow the instructions carefully during assembly and use.
- Keep this manual for future reference or contact after-sales for support.
- If any parts are missing or defective upon unpacking, stop assembly and contact us for replacements.

Precautions

- For indoor use only. Follow the manual for correct assembly and use. Any modifications may result in injury or damage. The seller is not responsible for misuse or improper assembly.
- Keep the product away from fire, heat, and direct sunlight. Avoid placing hot objects on it.
- Assemble on a spacious surface. Do not place parts directly on the ground to avoid damage.
- Do not stand or sit on any part of the furniture.
- Wear gloves during assembly to avoid injury from sharp edges.
- Match parts by their numbers in the manual. Loosely align all screws before tightening them.
- Regularly check screw tightness and re-tighten if needed to ensure stability.
- Keep the product away from sharp objects and corrosive substances to prevent damage.

Warning

- Children should not assemble this product. Keep small parts and packaging out of children's reach to avoid choking or suffocation risks.
- In case of accidental spills, turn off any connected power immediately.