






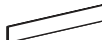










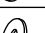
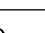

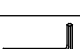

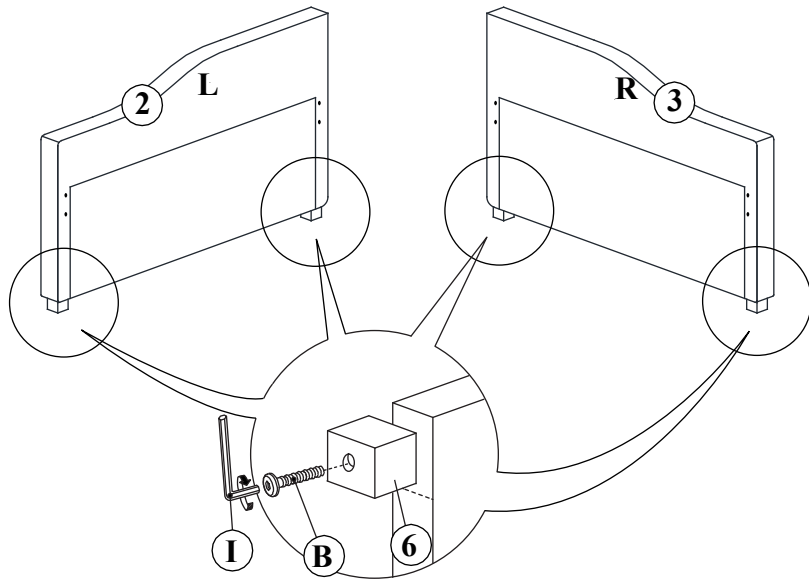


ASSEMBLY INSTRUCTION

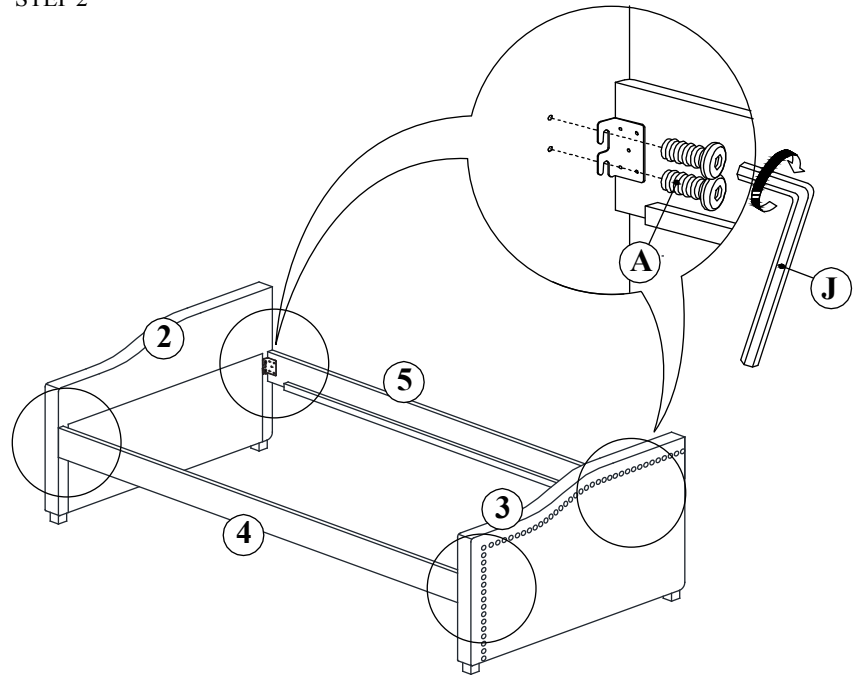
NO	PARTLIST	QTY
1	 BACK REST 1PC	1PC
2	 LEFT ARM REST(L) 1PC	1PC
3	 RIGHT ARM REST(R) 1PC	1PC
4	 FRONT SIDE RAIL 1PC	1PC
5	 BACK SIDE RAIL 1PC	1PC
6	 LEGS 4PCS	4PCS
7	 DAYBED SLATS 7 PCS 2 SETS	2 SETS
8	 TRUNDLE FRONT PANEL 1PC	1PC
9	 TRUNDLE BACK PANEL 1PC	1PC
10	 TRUNDLE SIDE PANEL 2PCS	2PCS
11	 TRUNDLE SLATS 5 PCS 2 SETS	2 SETS
12	 SLAT SUPPORT 3PCS	3PCS
13	 CASTOR 6PCS	6PCS

ITEM	HARDWARE	QTY
A	 JCBB SCREW M8 x 20MM 16PCS	16PCS
B	 JCBC SCREW M6 x 35MM 4PCS	4PCS
C	 JCBC SCREW M6 x 50MM 16PCS	16PCS
D	 SPRING WASHER M6 x 13MM 16PCS	16PCS
E	 FLAT WASHER M6 x 19MM 4PCS	4PCS
F	 FLAT WASHER M6 x 13MM 12PCS	12PCS
G	 SCREW M4 x 32MM 16PCS	16PCS
H	 SCREW M4 x 16MM 24PCS	24PCS
I	 L - KEY M4 x 65MM 1PC	1PC
J	 L - KEY M5 x 65MM 1PC	1PC

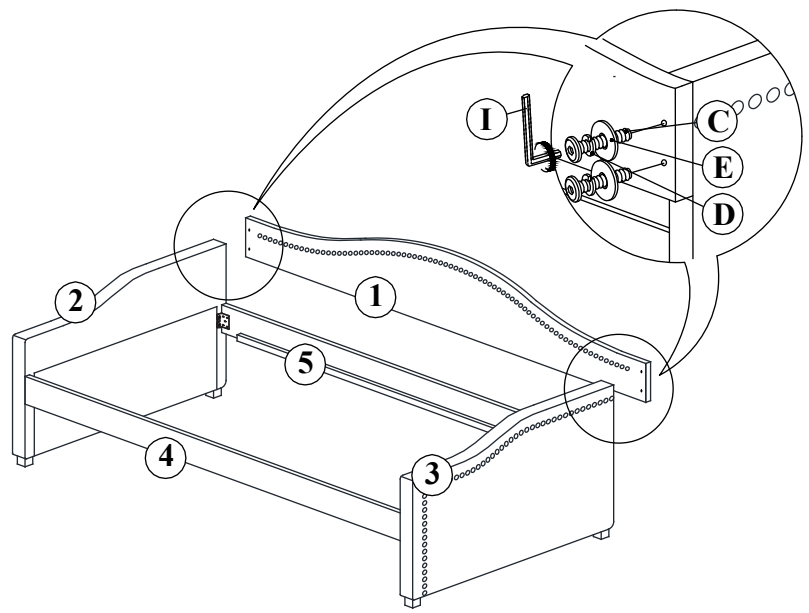
STEP 1



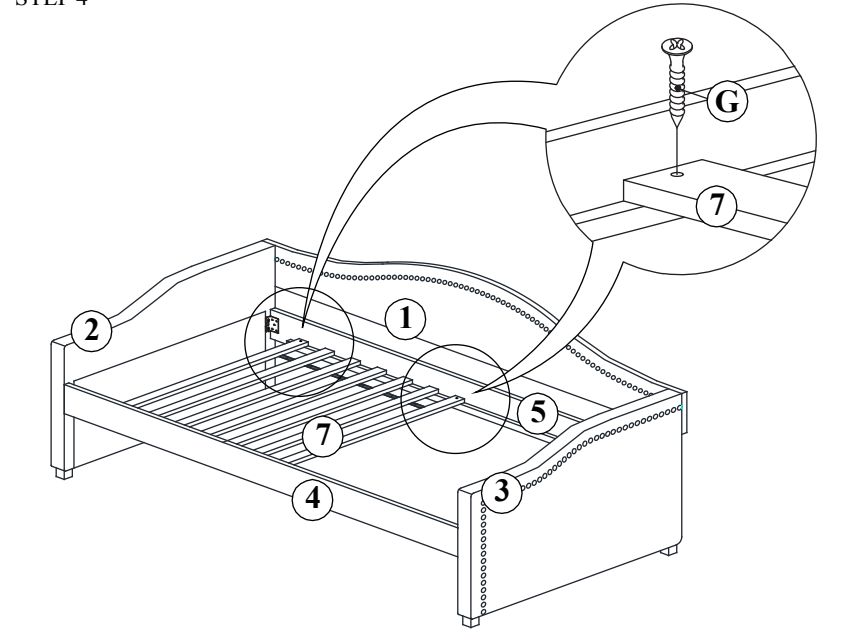
STEP 2



STEP 3

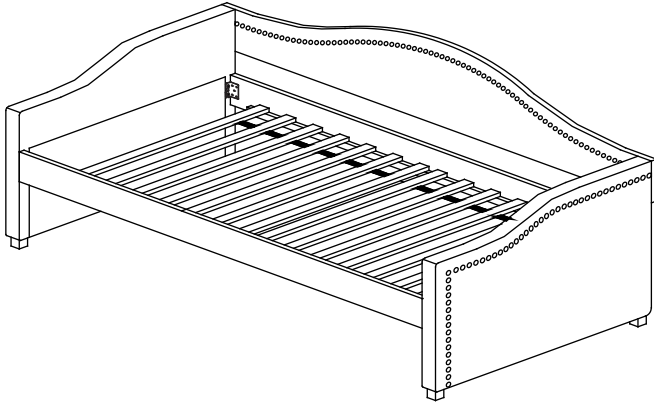


STEP 4

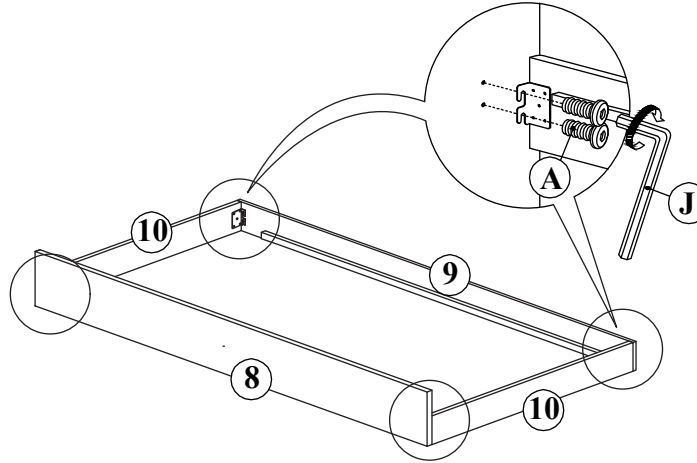


ASSEMBLY INSTRUCTION

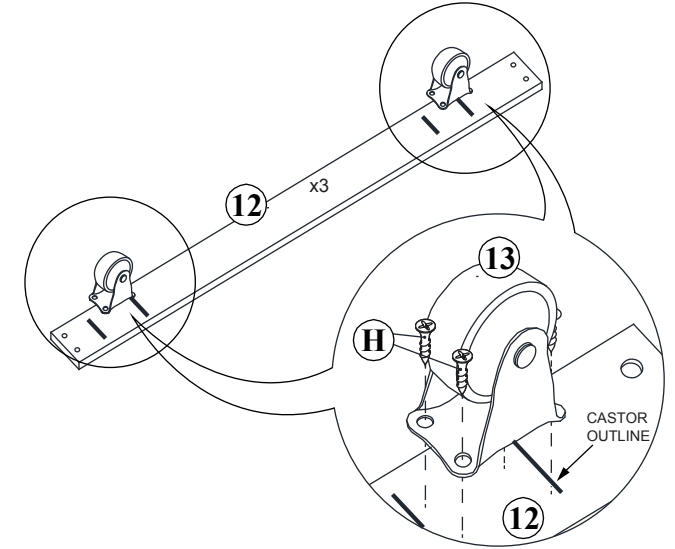
STEP 5



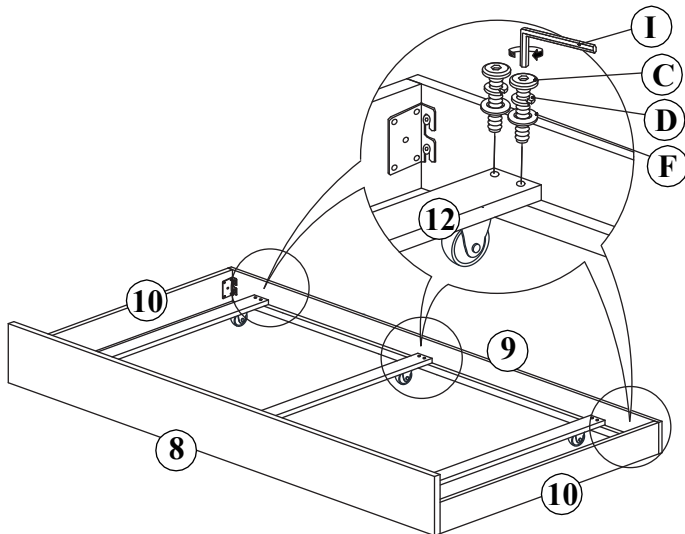
STEP 6



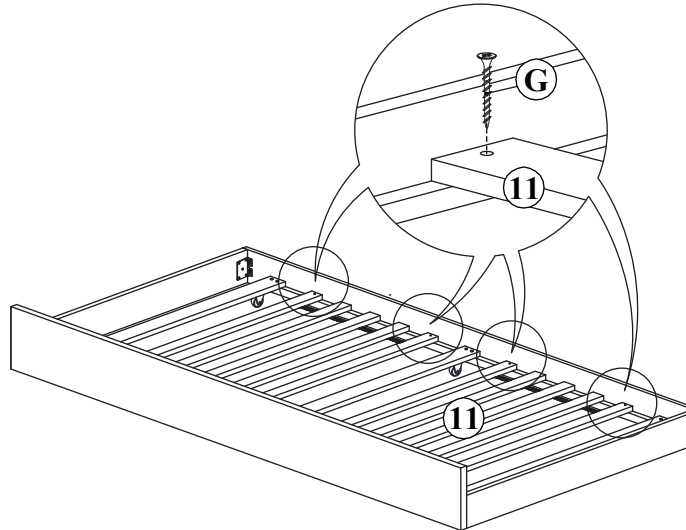
STEP 7



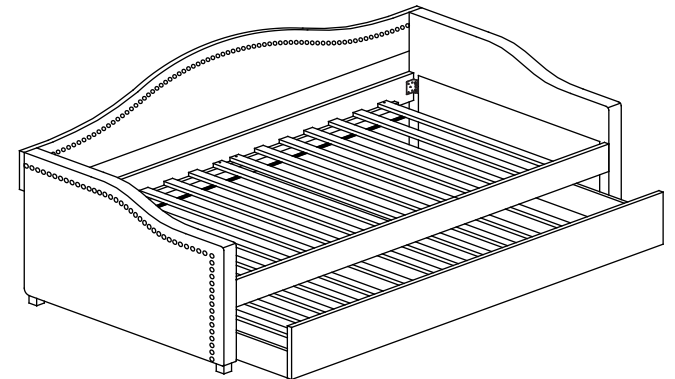
STEP 8



STEP 9



STEP 10



ASSEMBLY
COMPLETED