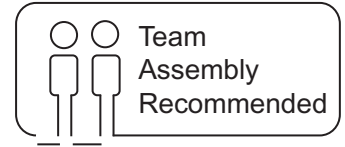
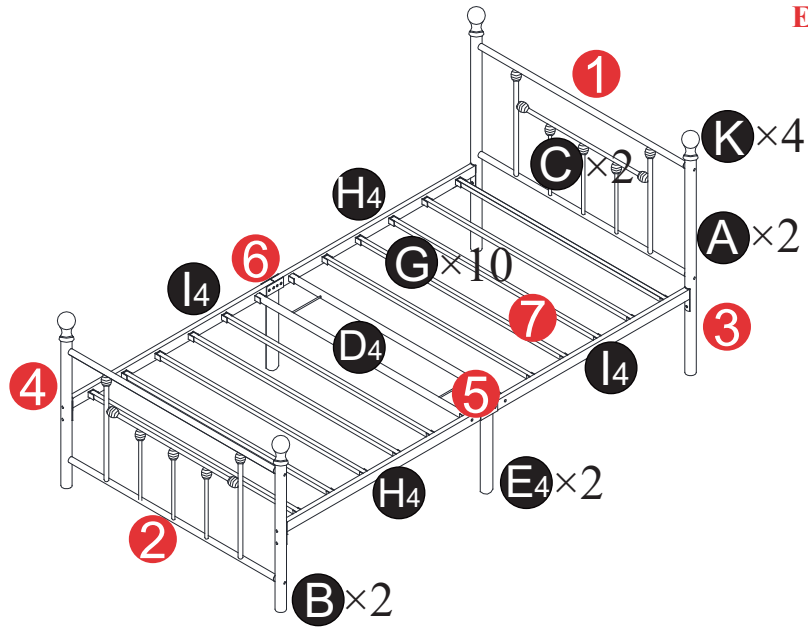
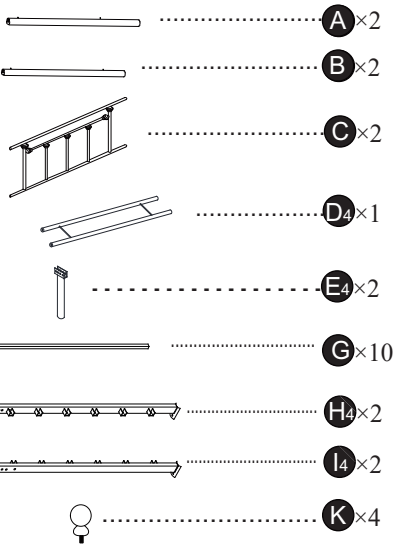


Bed Frame Installation Manual

#Number System
Easy assembly by following 1,2,3...



Components

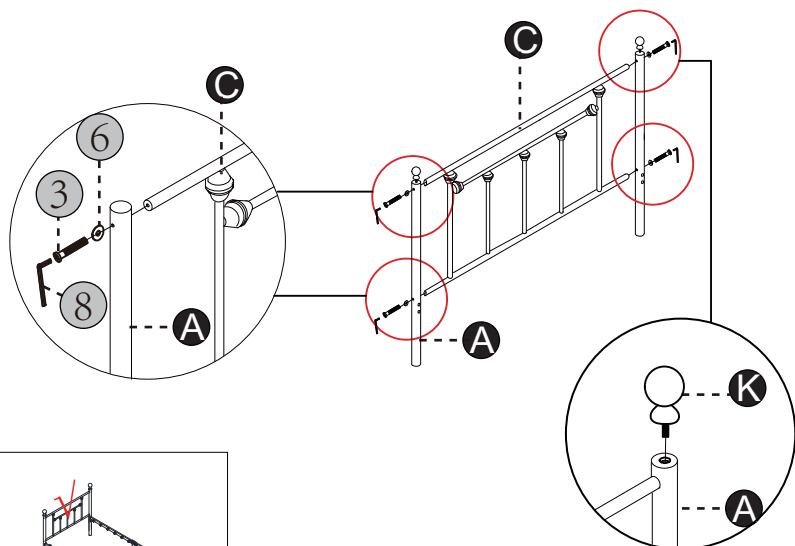


Screws & Tools

1		M8x50mm	x8
2		M8x35mm	x8
3		M6x60mm	x8
4		M6x40mm	x4
5		M6x15mm	x4
6			x16
7		M8	x12
8		M5	x1
9		M13/M10	x1

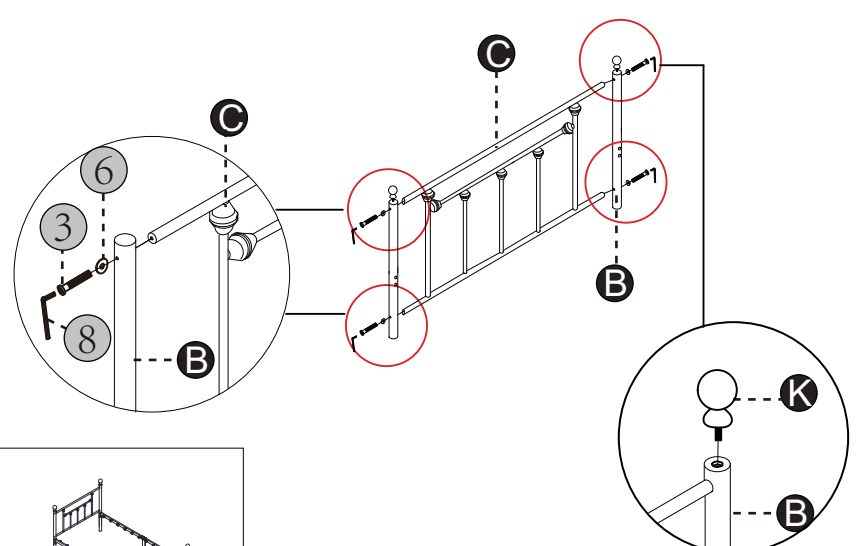
Check all the components & screws before assembly. Do not install in case part is missing, contact us to get. We will resend within 24 hours.

1 Headboard assembly



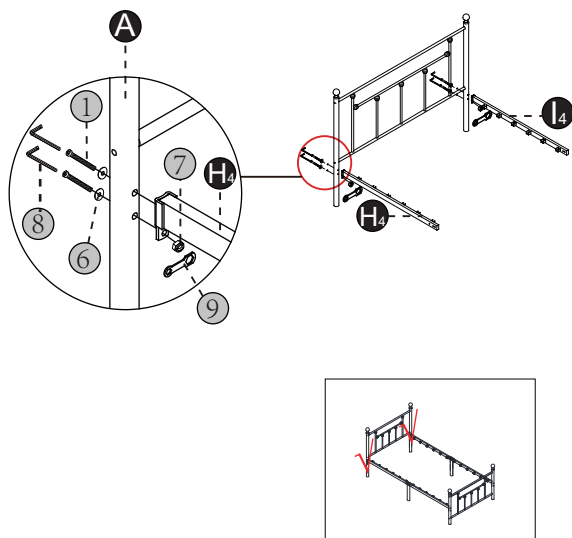
Note:
In this step, do not tighten screw 3

2 Footboard assembly

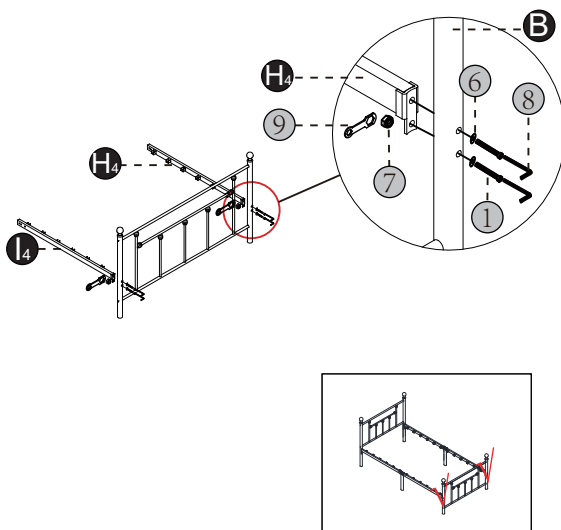


Note:
In this step, do not tighten screw 3

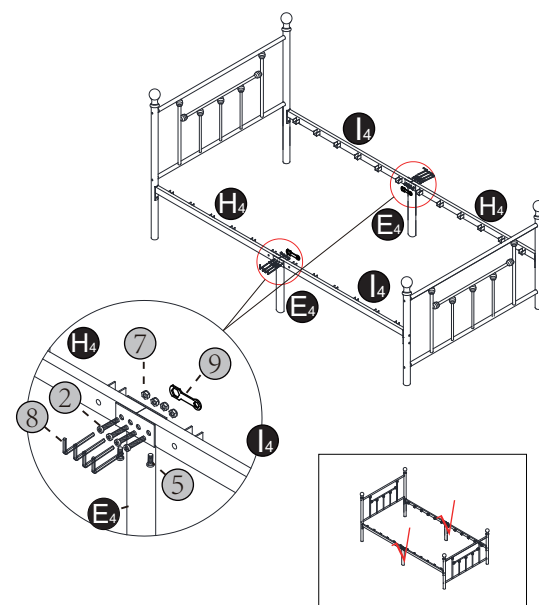
3 Connect **H₄** & **L₄** to headboard



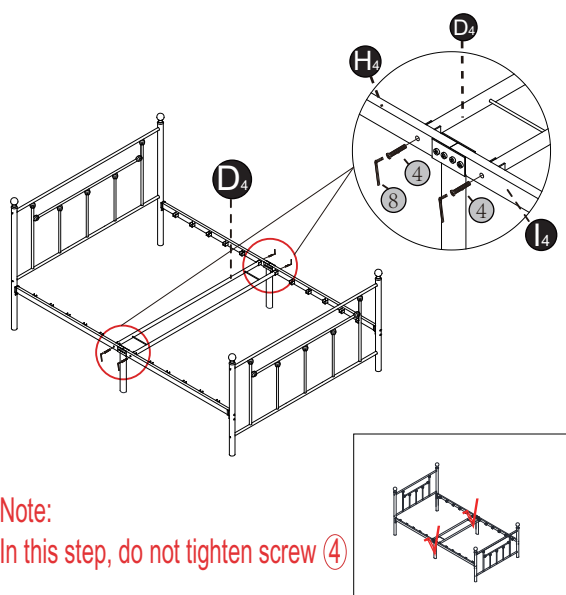
4 Connect **H₄** & **L₄** to footboard



5 Connect **E₄** to **H₄** & **L₄**

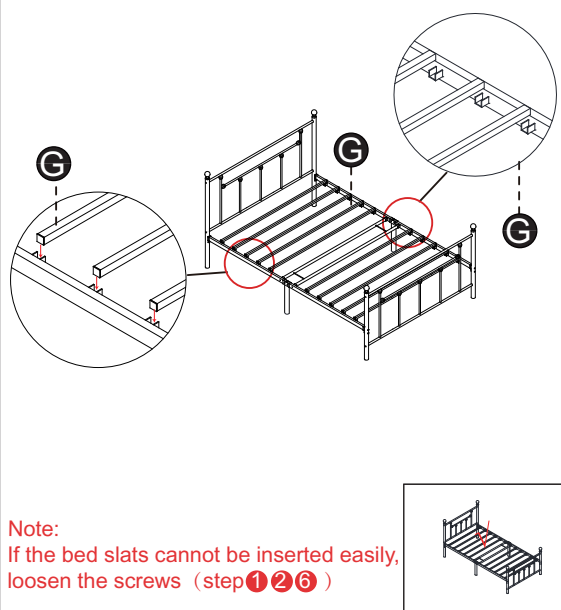


6 Connect **D₄** to **H₄** & **L₄**



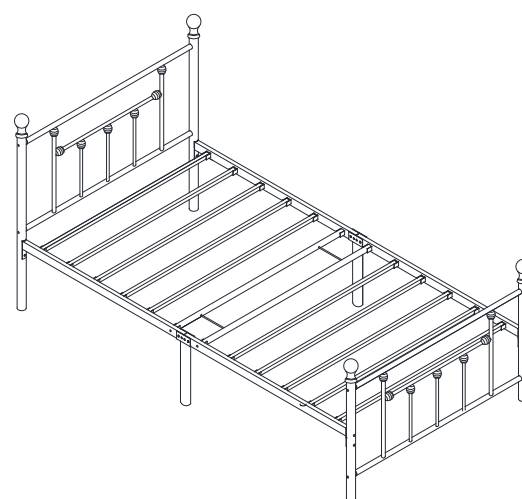
Note:
In this step, do not tighten screw **4**

7 Assemble bed slats



Note:
If the bed slats cannot be inserted easily,
loosen the screws (step **1 2 6**)

8 Check and tighten all screws



CAUTIONS!

