

[product.]

HOOKED WALL / SMALL / GRAPHITE

[motion. **FIXED.**]

[knurl. **CROSS.**]

[range. **LIGHTING.**]

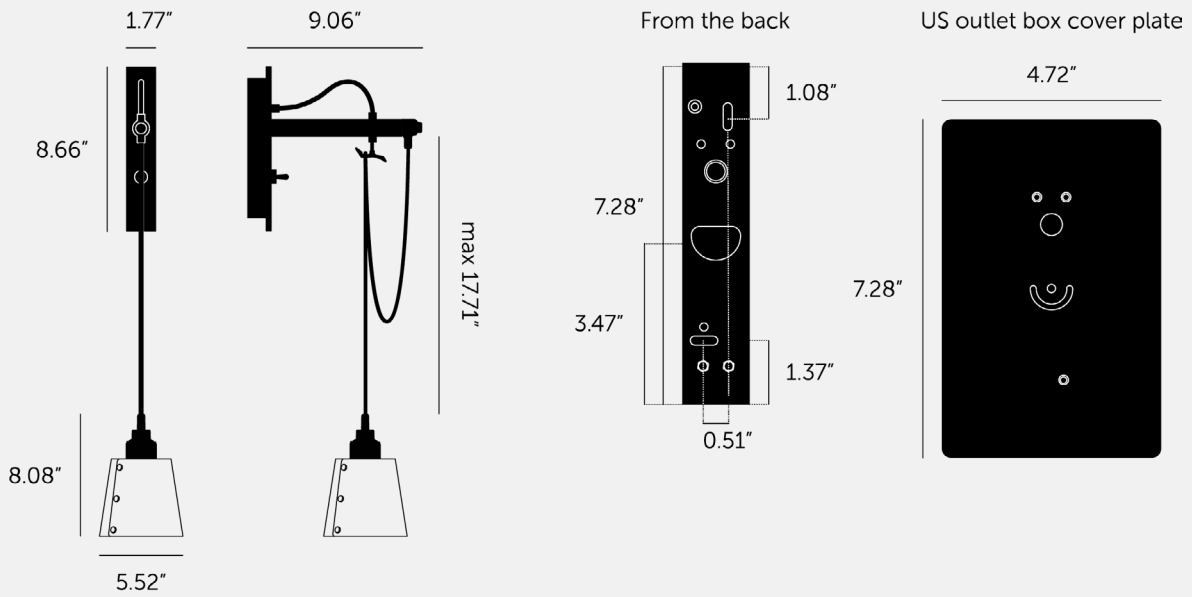
[region. **ROW.**]

A wall light made from solid metal with matt rubber detailing. The base is finished in either *graphite* or *stone* powder coating. The pendant length can be adjusted to suit and hooked onto a solid metal hook. Can be fitted as standalone or connected to US outlet box. Buster + Punch offers a range of light bulbs that look great with this light and are sold separately.



[type. **HOOKED WALL / GRAPHITE / SMALL.**]

[info. **MEASUREMENTS.**]



[info. **SPECIFICATIONS.**]

Wall light.

Solid metal lamp holder.

Solid metal hook.

E26 / 110-120V / Dry location.

Max 40W type A bulb.

Bulbs sold separately.

Suitable for both 3.5 and 4" junction boxes

cULus approved.

[info. **FINISH & SKU NUMBERS.**]

[finish.]

[ROW.]

Steel

NHW-19516

Brass

NHW-18514

Smoked Bronze

NHW-20515

[info. **CARE INSTRUCTIONS.**]

Wipe with damp cloth with no loose hairs, avoid using any chemicals. All finishes are prone to aging.

[info. **INCLUDED.**]

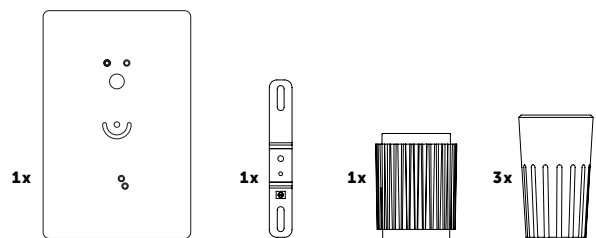
1 x Coin Cap*

1 x Small Shade

1 x US outlet box cover plate

1 x Bracket

3 x Wire nuts



* Coin cap installation tool **must be used by hand only.**

[please. **NOTE.**]

DISCLAIMER: Always consult a trade professional when installing these hooked wall lighting. Buster + Punch is not responsible for the usage or feasibility of installation requirements. This product is not suitable for damp or wet environments.