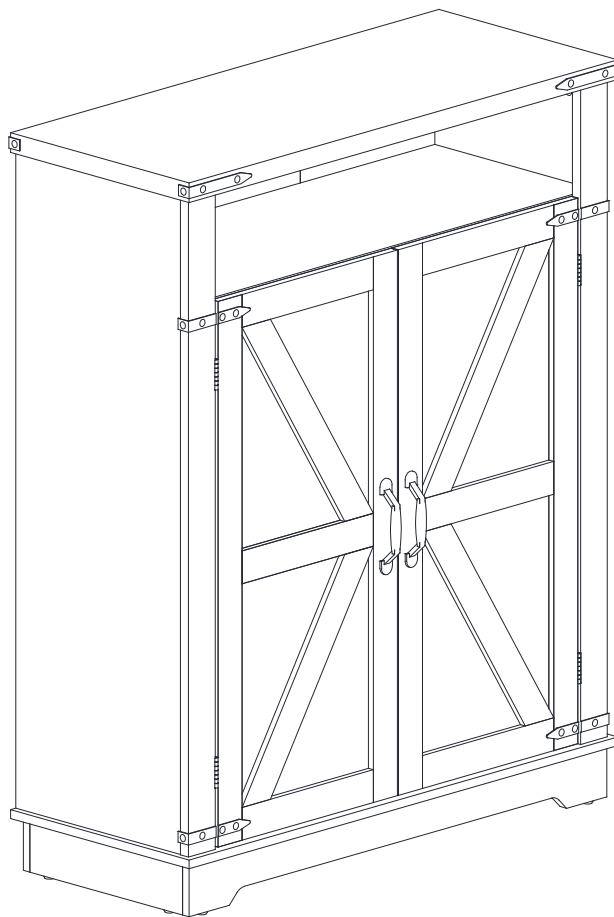
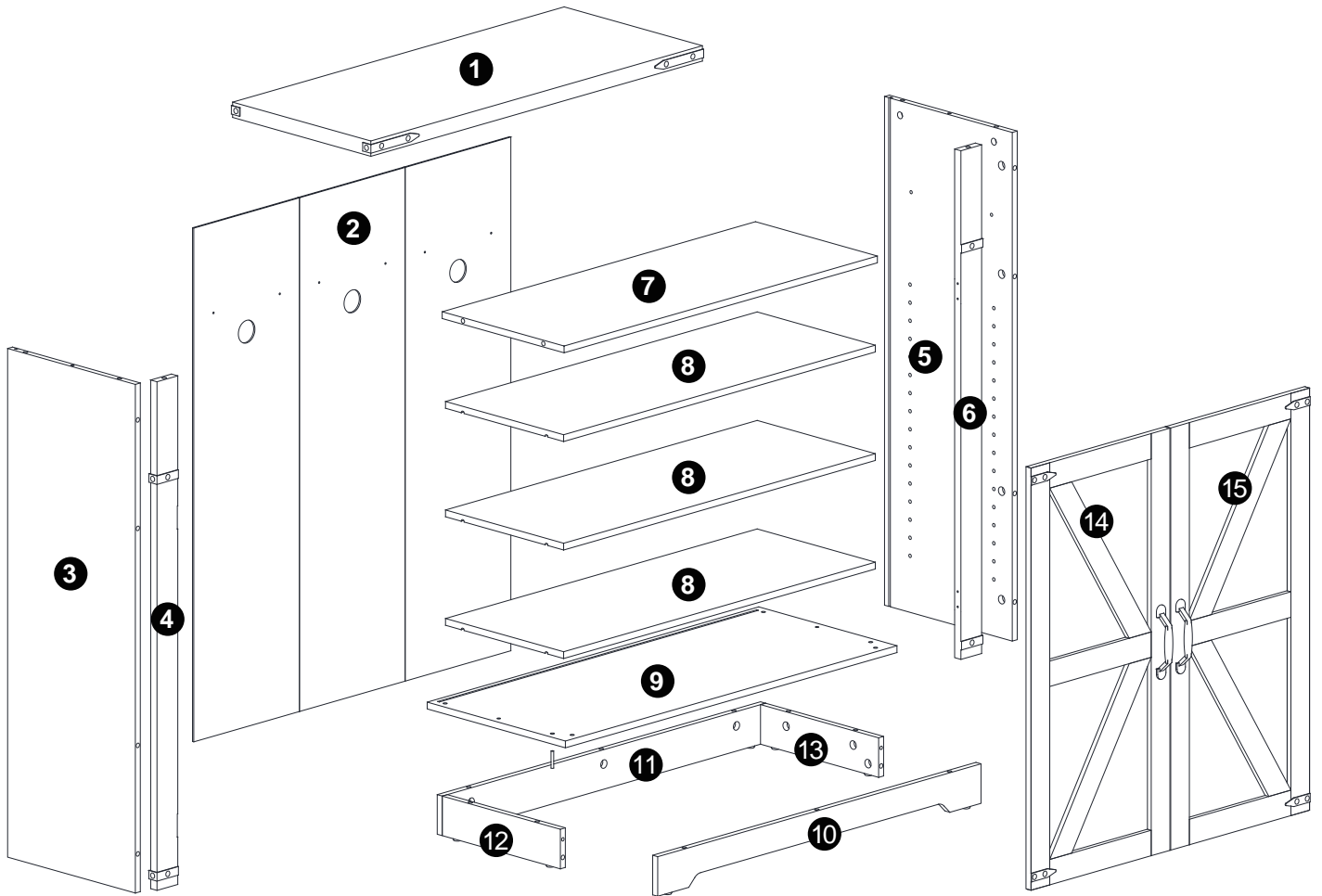


Shoes Cabinet Instruction Manual



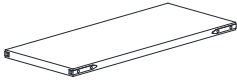
ASSEMBLY INSTRUCTION

Decomposition of components



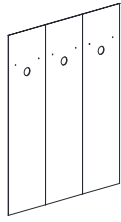
- 1、 To make sure you finish installation in the shortest time and easiest way, please strictly follow the steps of the instruction. If you have a helper, the installation will be certainly easier.
- 2、 Some parts of the shoes cabinet have sharp edges, so please be attentive to avoid scratches when installing;
- 3、 Due to the small size of some parts, please put them in a safe position when installing them to avoid accidental;
- 4、 We offer customers a free lifetime warranty. If you need help regarding product issues, after-sales service or other relevant problems, please contact us via the email provided on the cover.

1



x1

2



x1

3



x1

4



x1

5



x1

6



x1

7



x1

8



x3

9



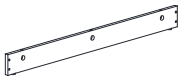
x1

10



x1

11



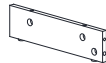
x1

12



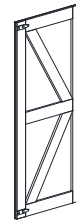
x1

13



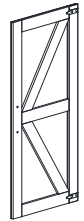
x1

14



x1

15



x1

A



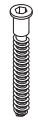
x28 +2

B



x28 +2

C



x10 +1

D



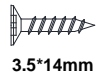
x8

E



x12

F



3.5*14mm

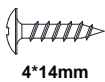
x28 +2

G



x8

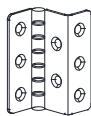
H



4*14mm

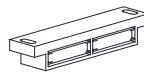
x8

I



x4

J



x1

K



x2

L



x2

M



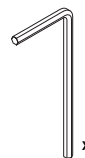
x2

N



x4

Installation tools

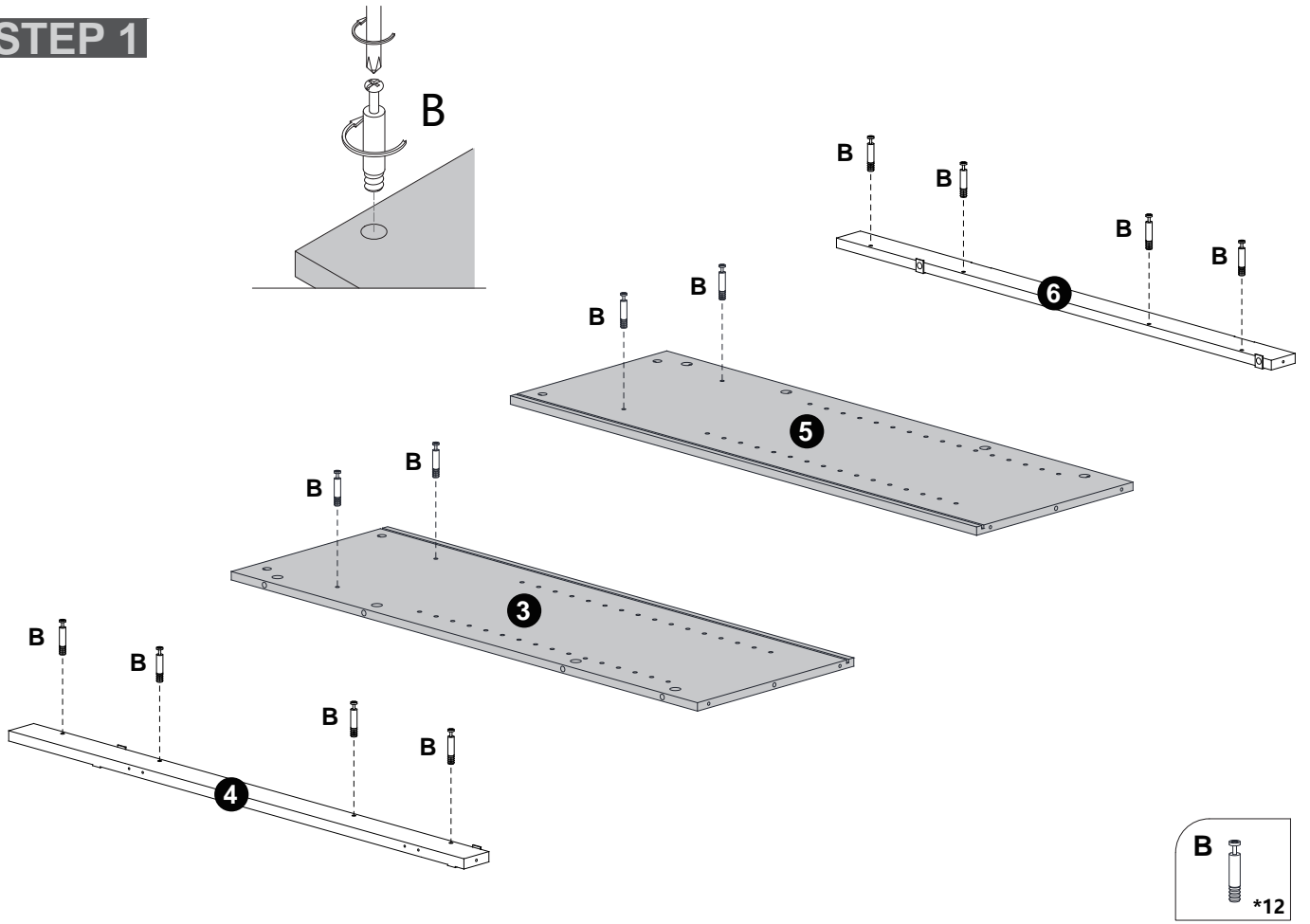


x1

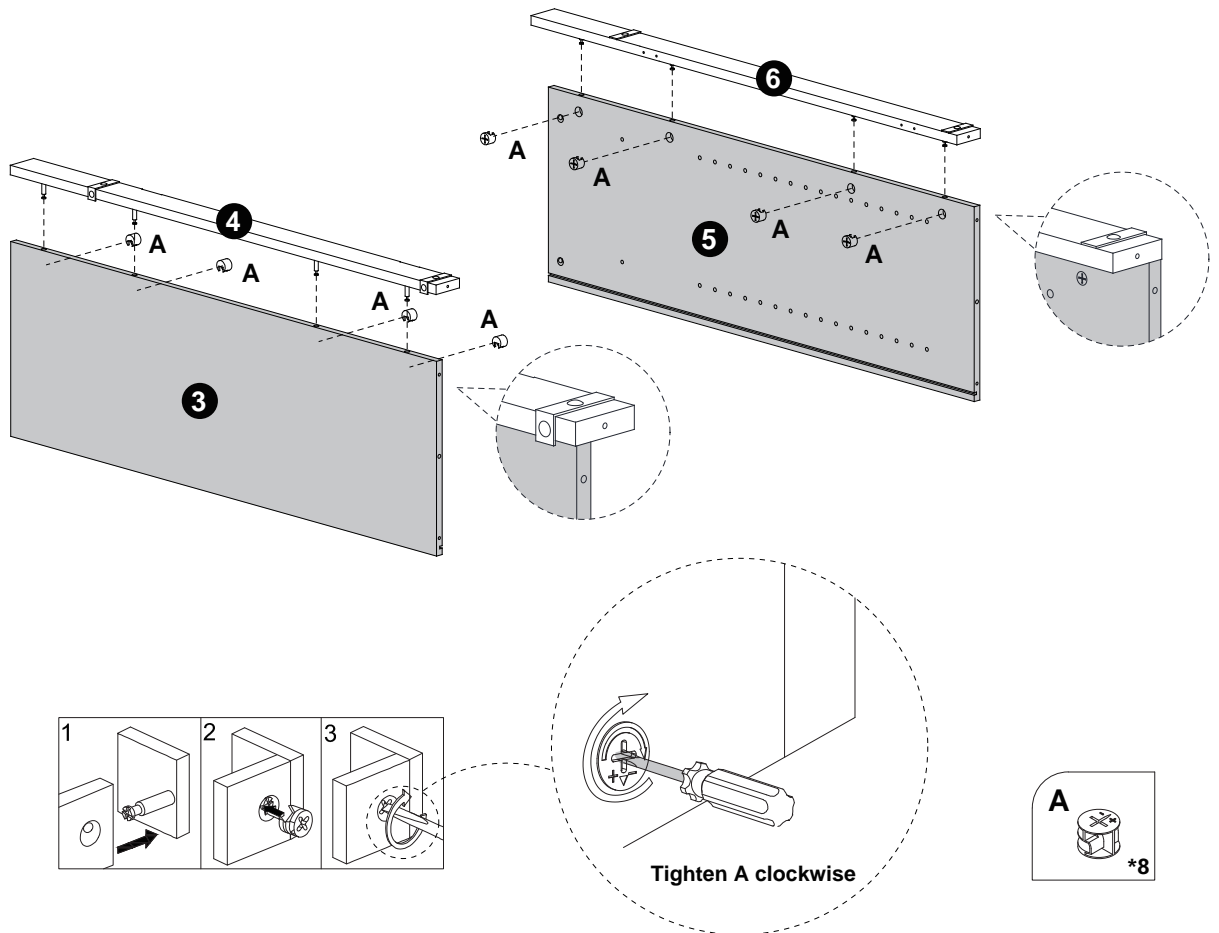


x1

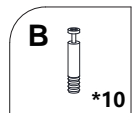
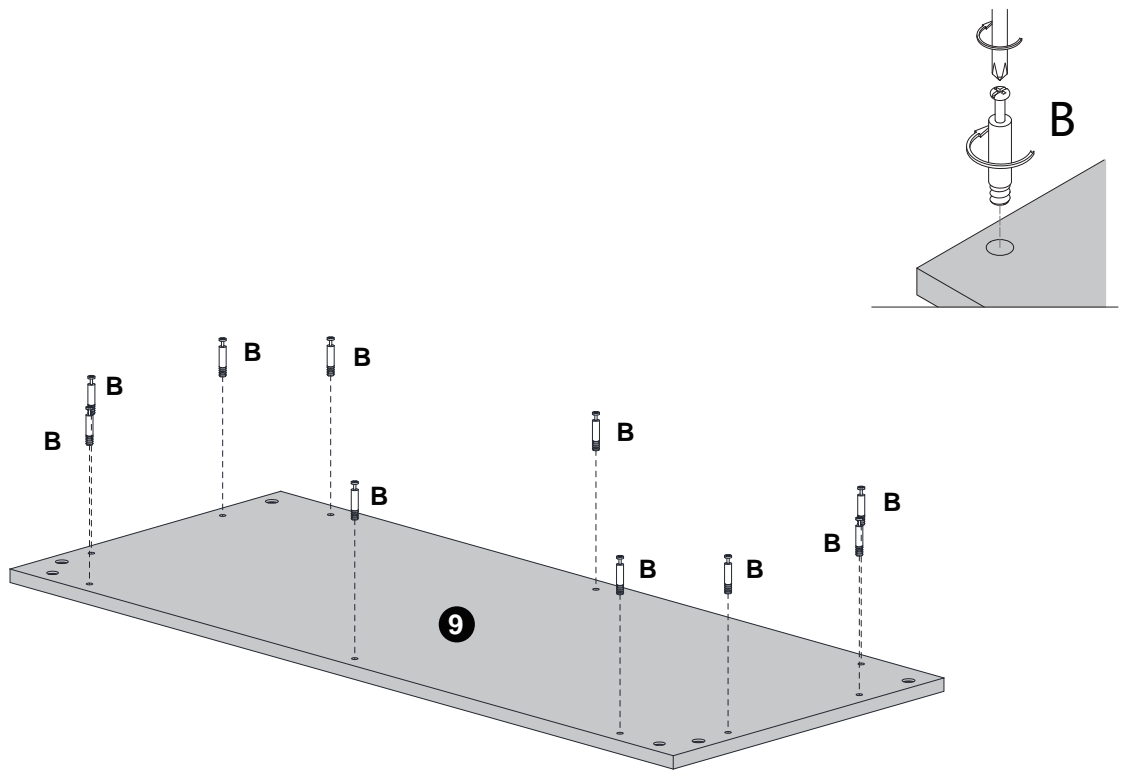
STEP 1



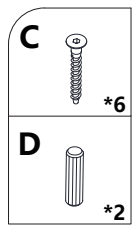
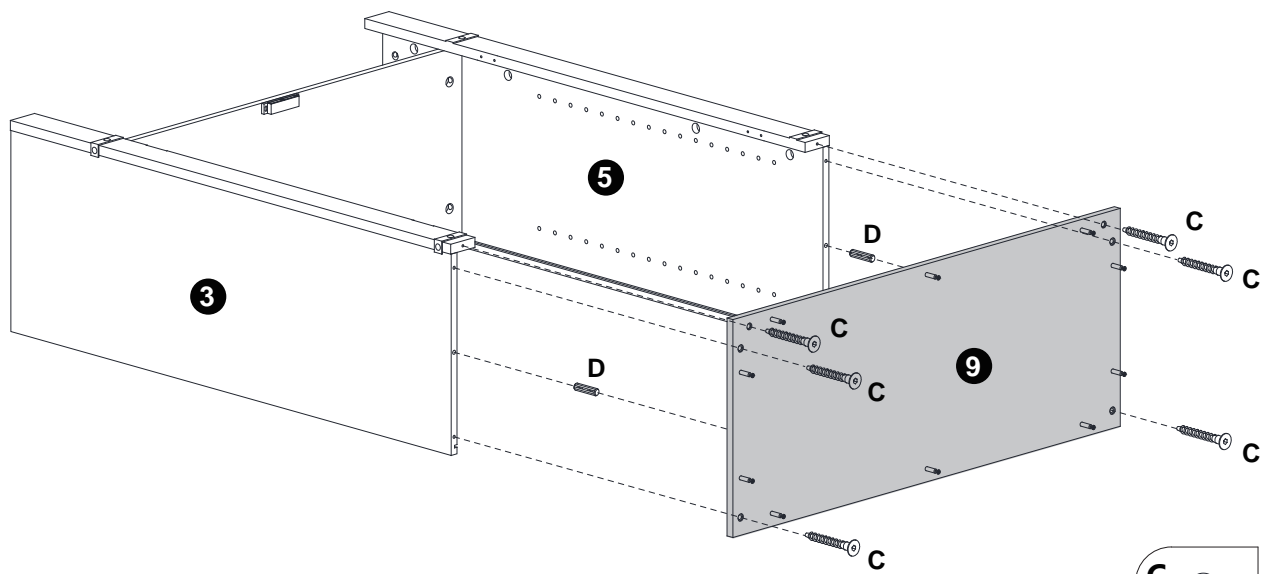
STEP 2



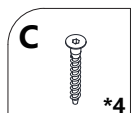
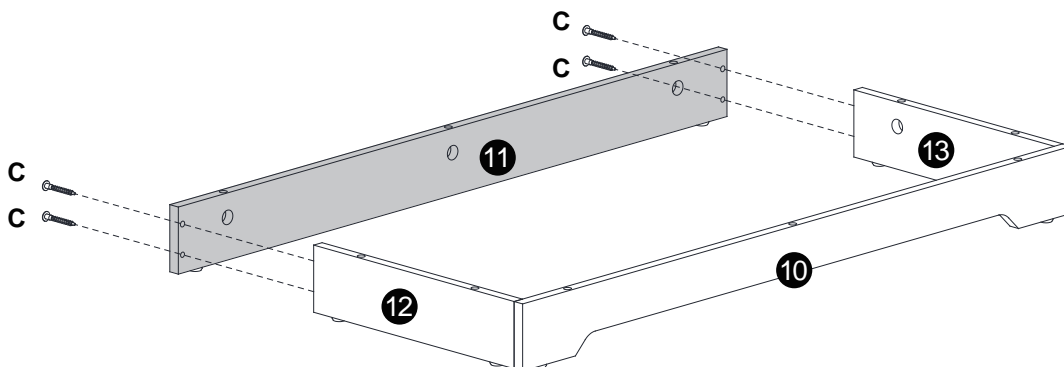
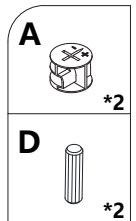
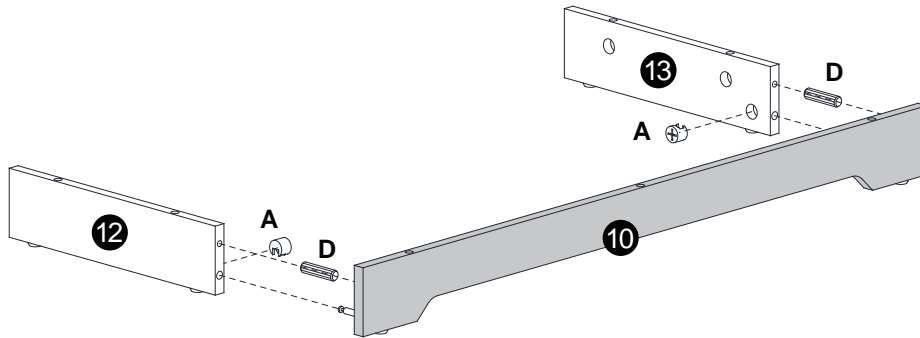
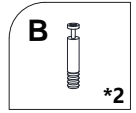
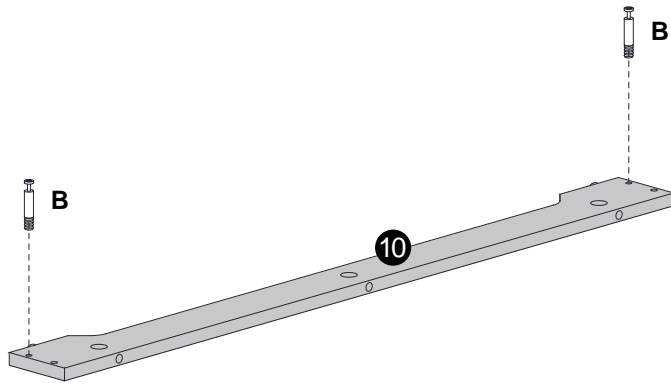
STEP 5



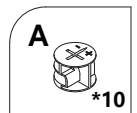
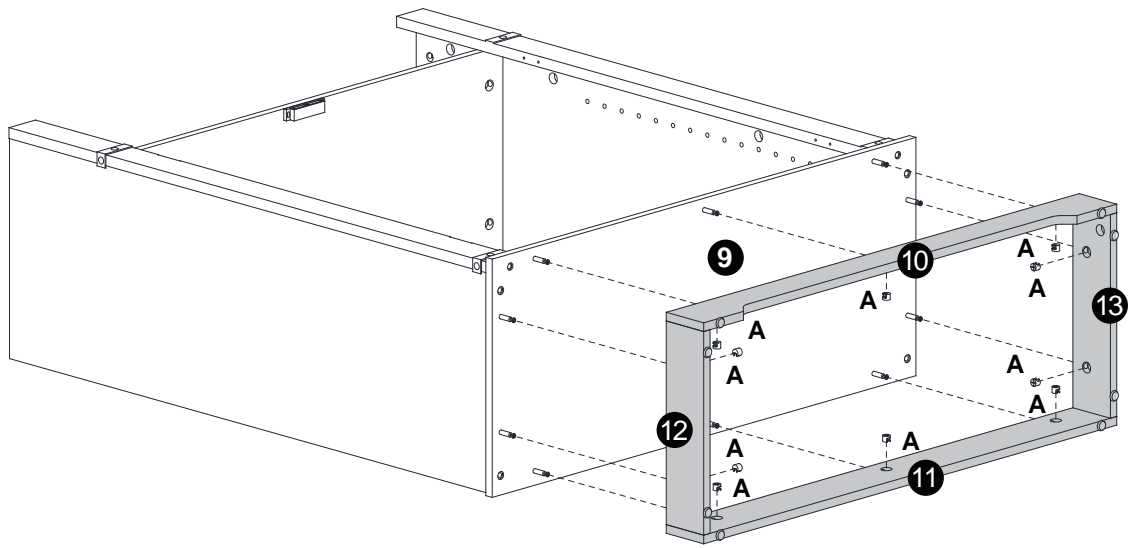
STEP 6



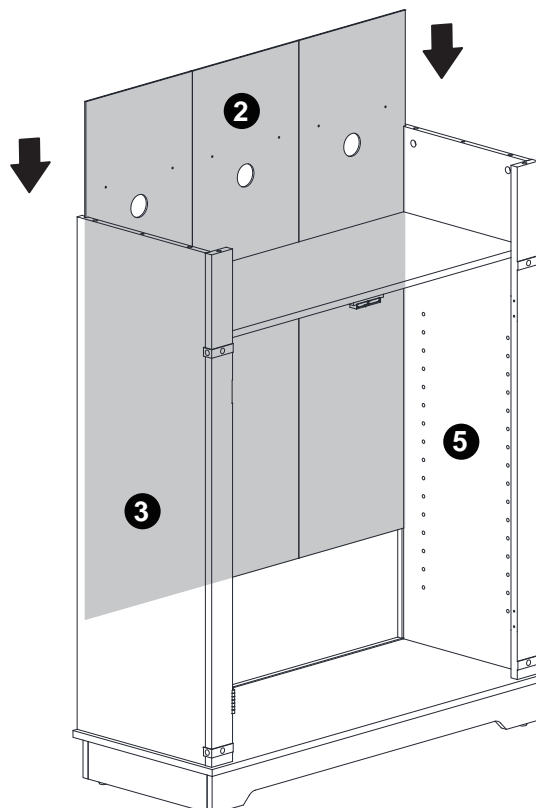
STEP 7



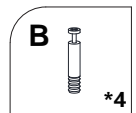
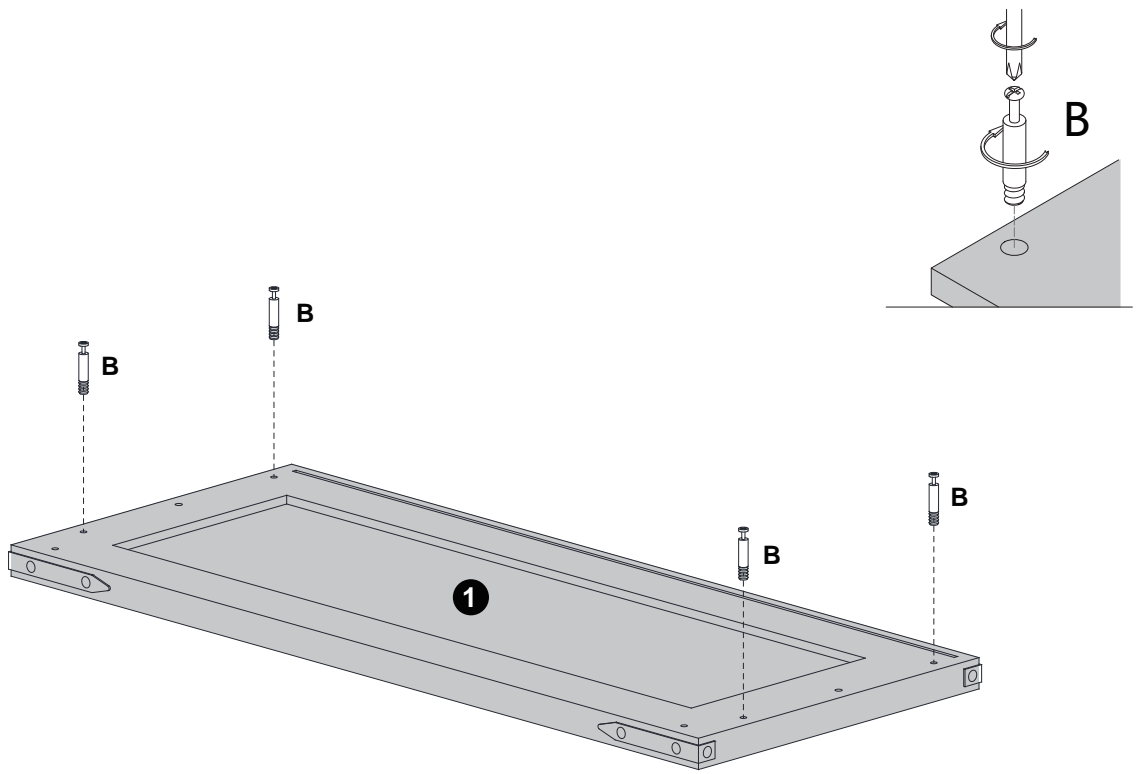
STEP 8



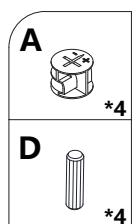
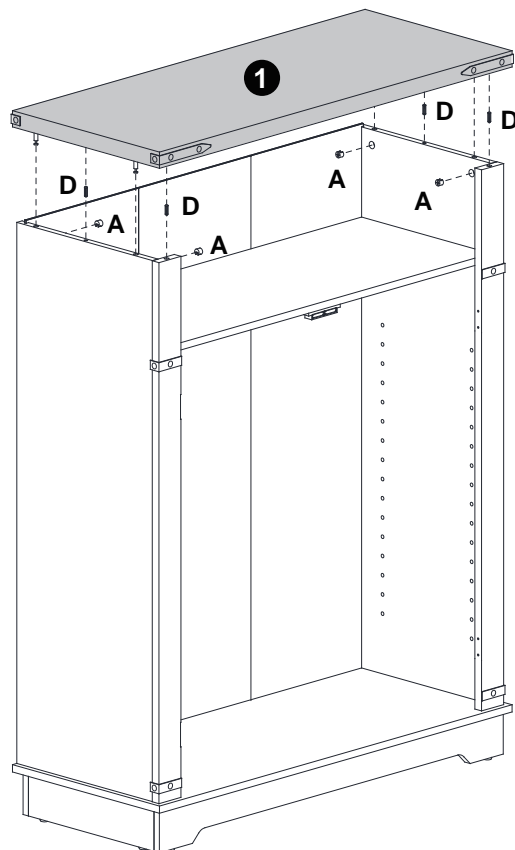
STEP 9



STEP 10

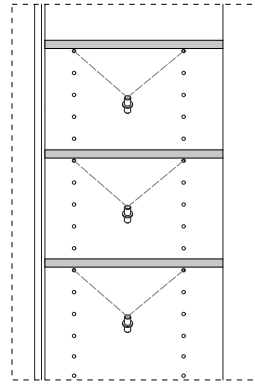
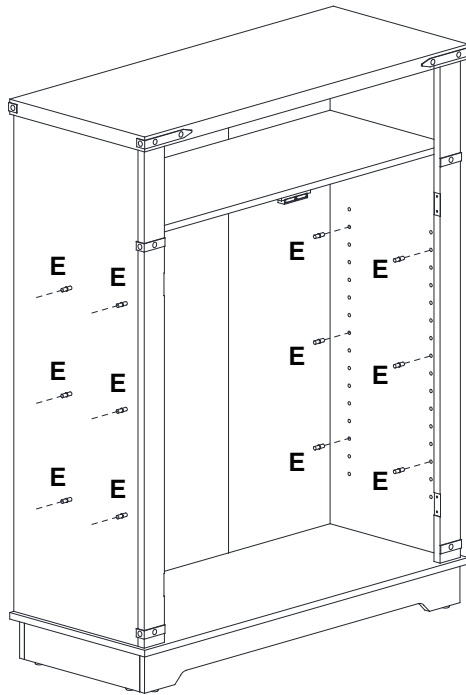


STEP 11

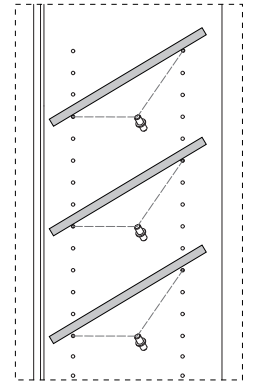


STEP 12

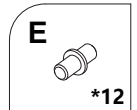
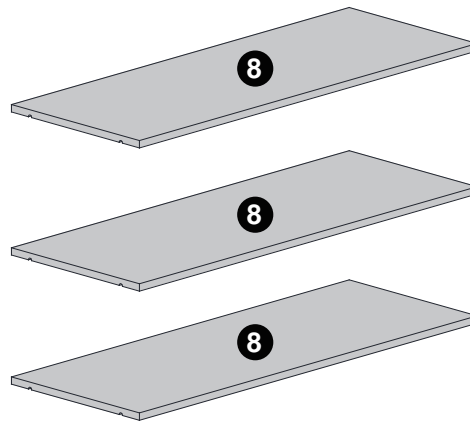
Position **8** as your needs
(Please put **8** from top to bottom)



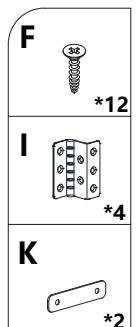
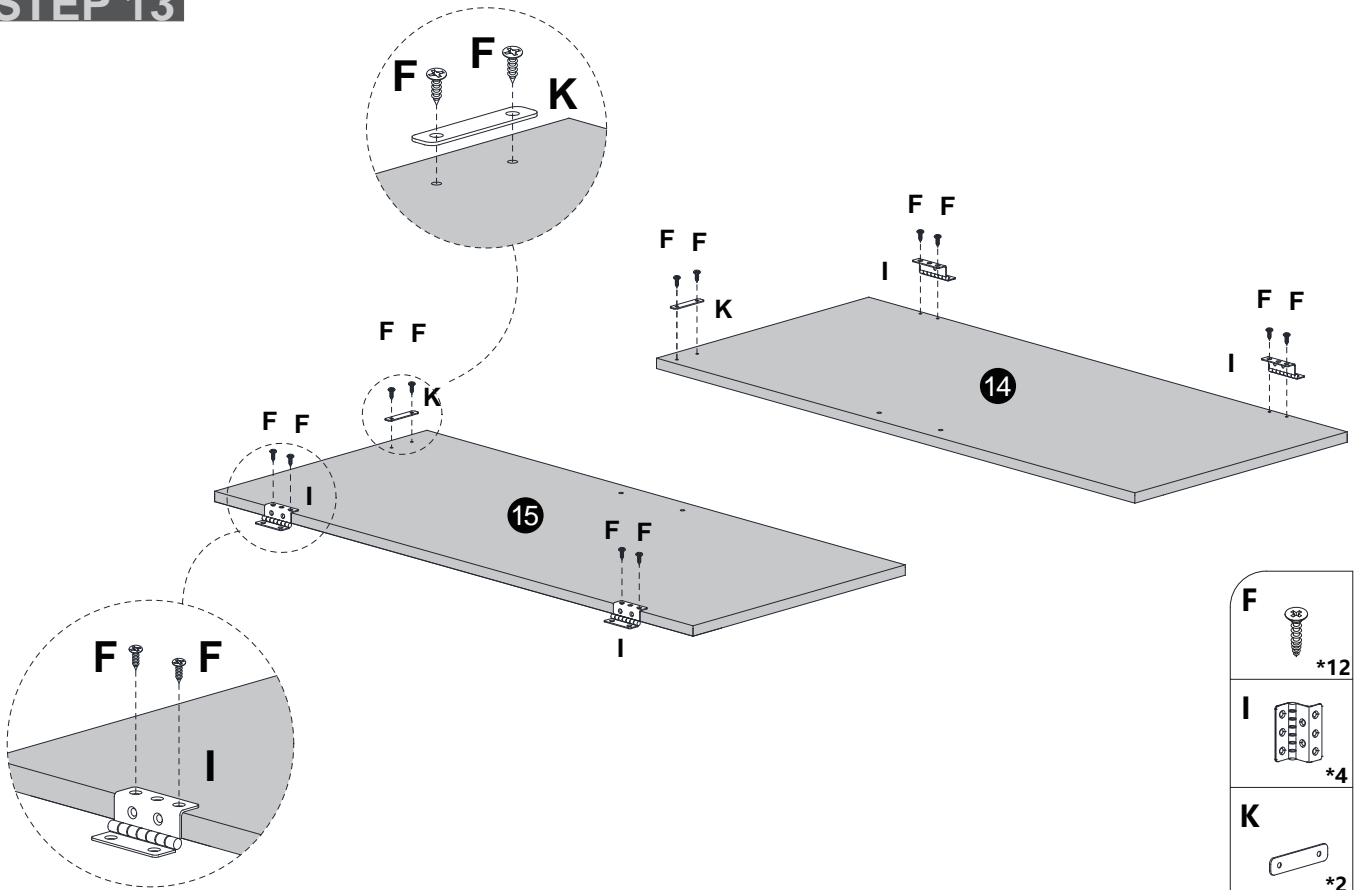
Flat



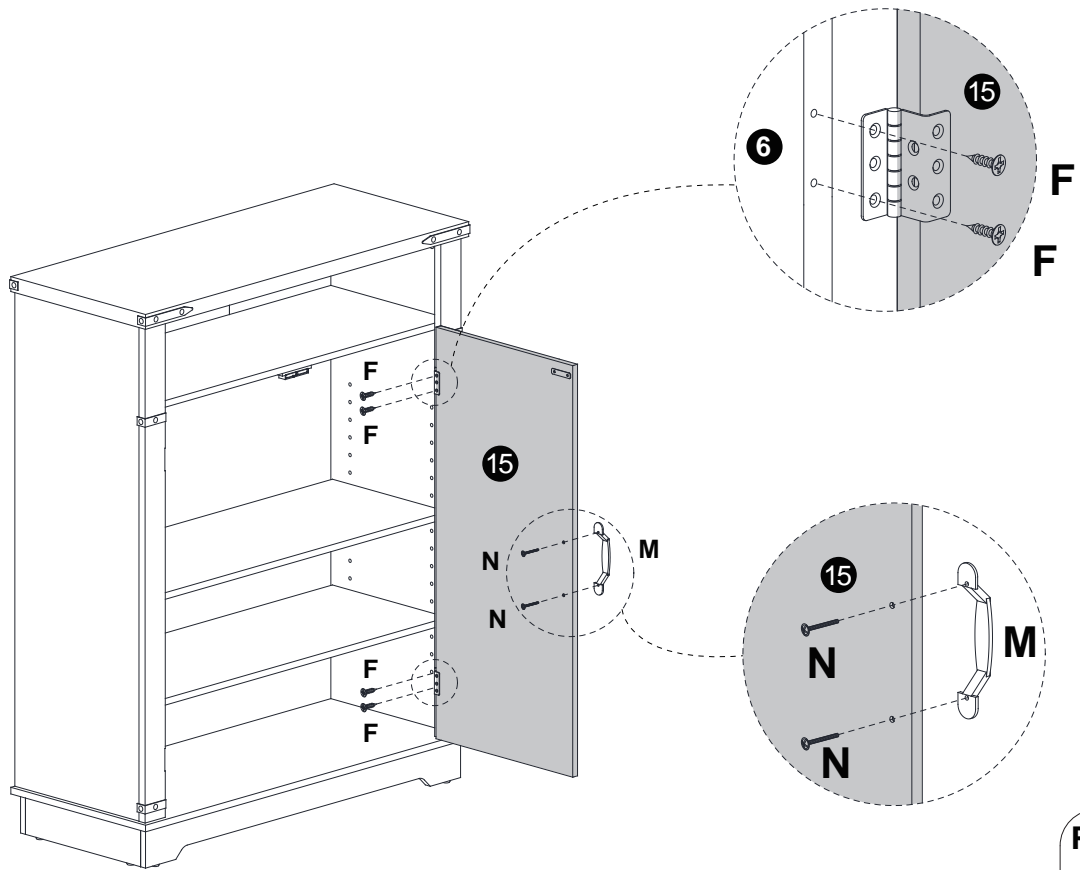
Tilt



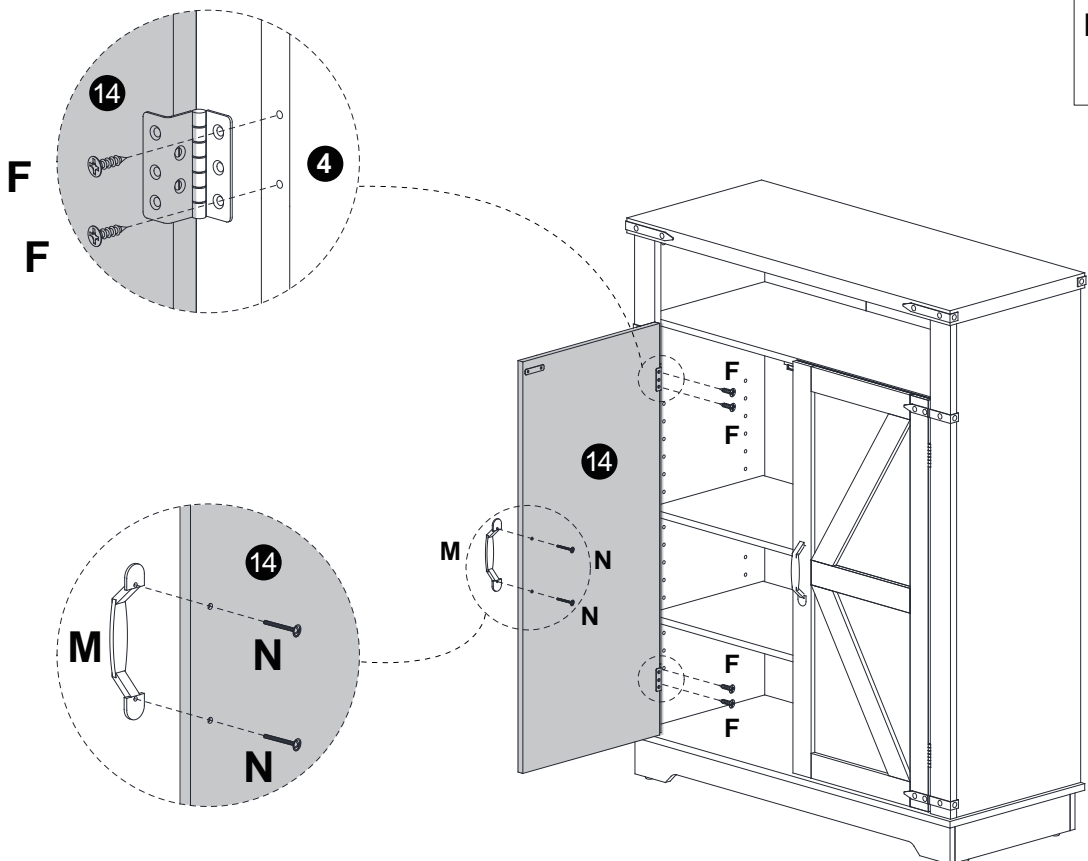
STEP 13



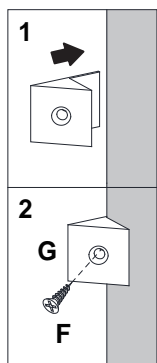
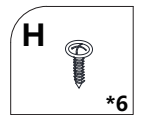
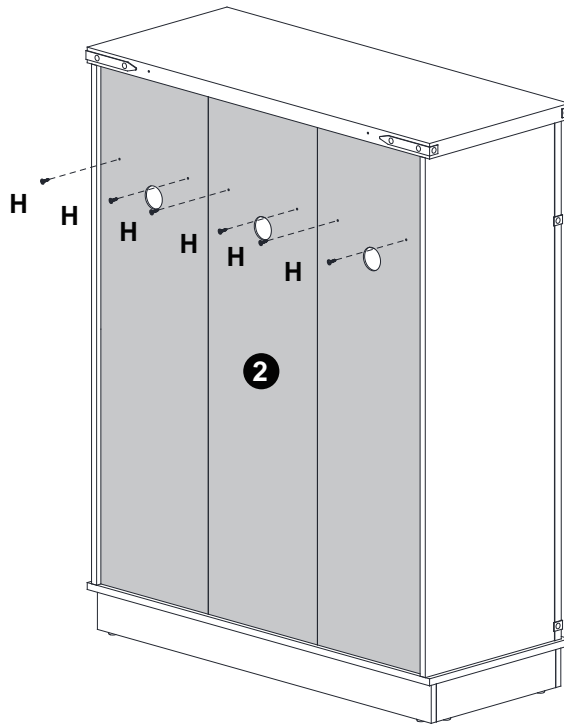
STEP 14



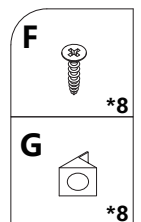
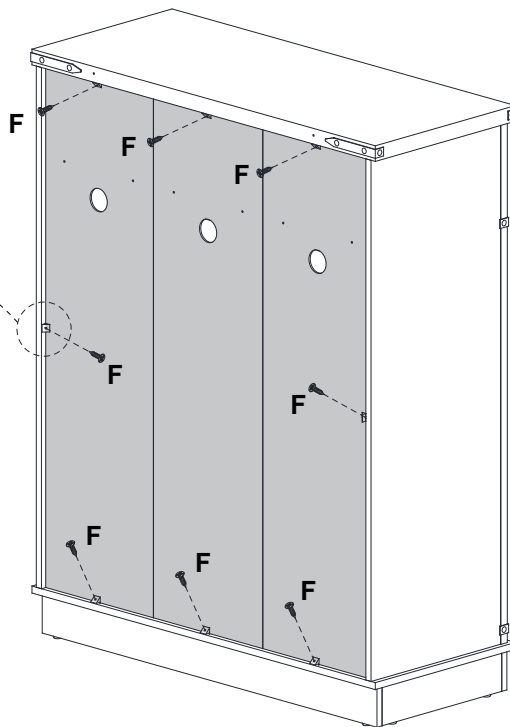
F		*8
M		*2
N		*4



STEP 15



Use **F** and **G**
Reinforce the Board



STEP 16

