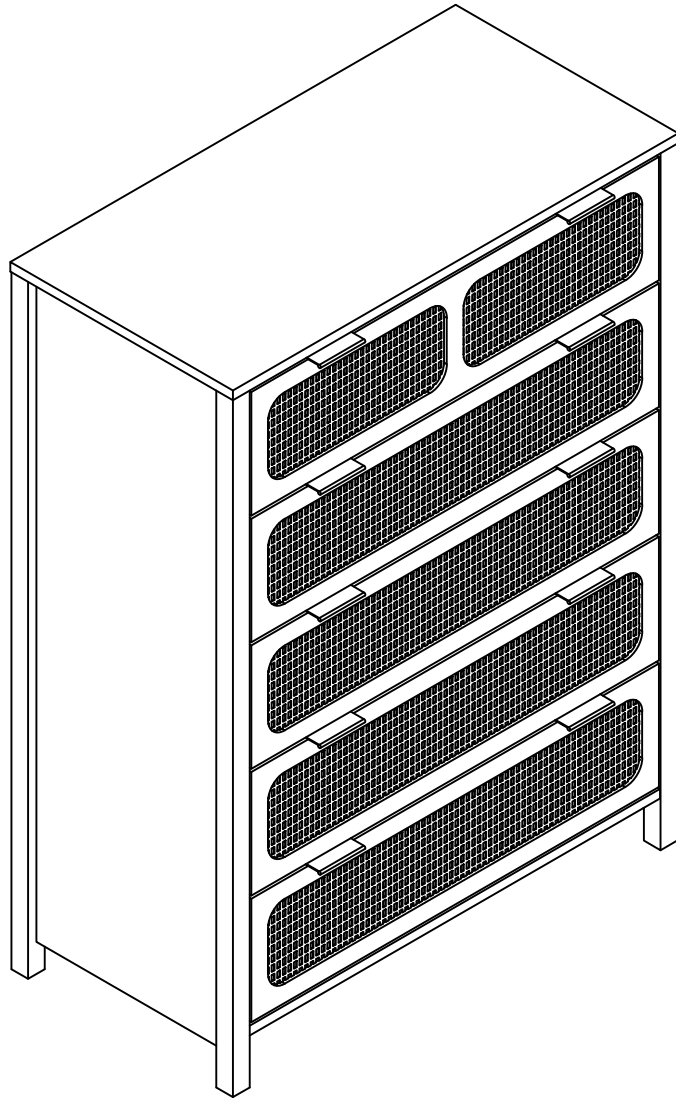


Installation Instruction



Assembling

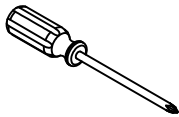
Estimated time for assembly



45 : 00

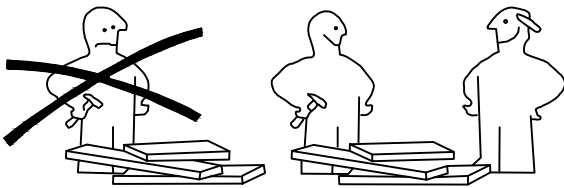
What you need

- Use the packaging carton as a working surface to prevent product damage during assembly
- Phillips head screwdriver



Weight Limitation

 **100** | **35**
lbs table top lbs per

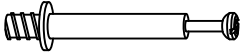


What' included

Code Description	Qty
A Cam Bolt M6X35MM	45
B Cam Lock 15X10MM	45
C Wooden Dowel M8X30MM	4
D Screw M4X40MM	27
E Screw M3.5X14MM	2
G Nylon Strap	2
H Screw M3.0X14MM	104
I Metal shake handhandle	10
J Plastic Angle code	24
K Anchor	2
CL Left mother extended orbit	5
CR Right mother extended orbit	5
DL Left public extension track	5
DR Right public extends track	5

The Hardwares

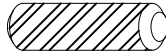
Ⓐ



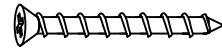
Ⓑ



Ⓒ



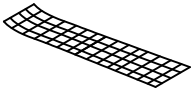
Ⓓ



Ⓔ



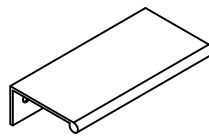
Ⓖ



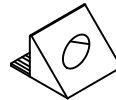
Ⓕ



Ⓖ



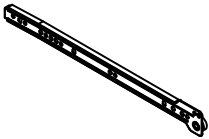
Ⓖ



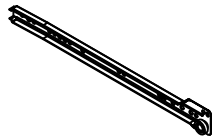
Ⓖ



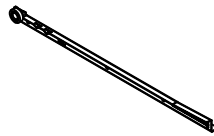
ⒸⒻ



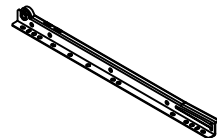
ⒸⒼ



ⒸⒼ



ⒸⒼ



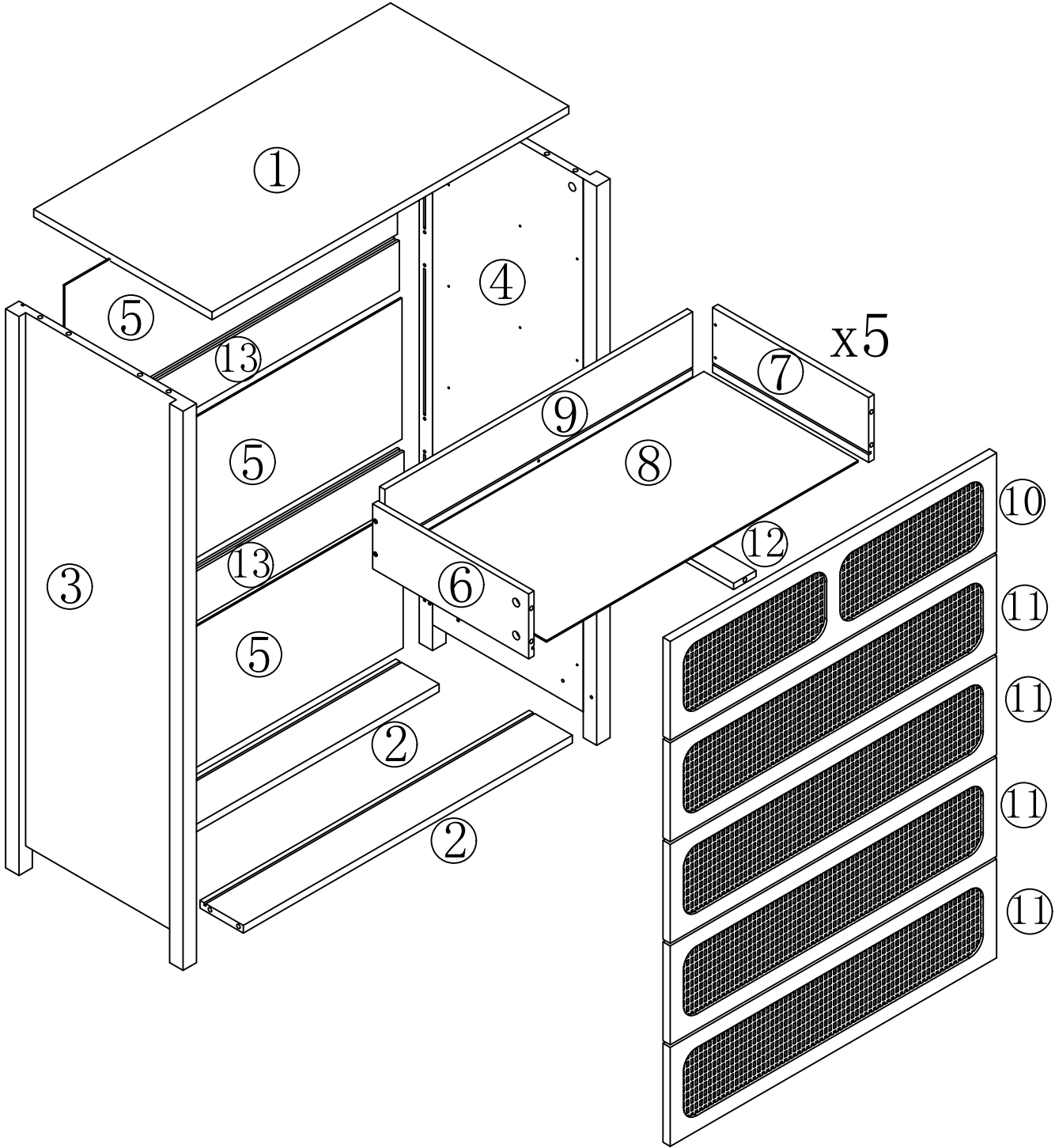
IMPORTANT:

1. Do not tighten bolts / screws completely until all bolts / screws are lined up and inserted into holes.
2. Do not over tighten screws and bolts to avoid stripping
3. Please use hand tools to assemble this product. Do not use power tools.

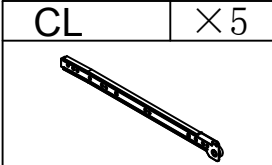
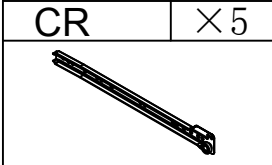
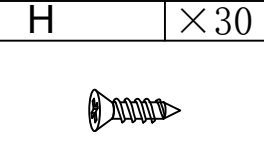
Included Accessories

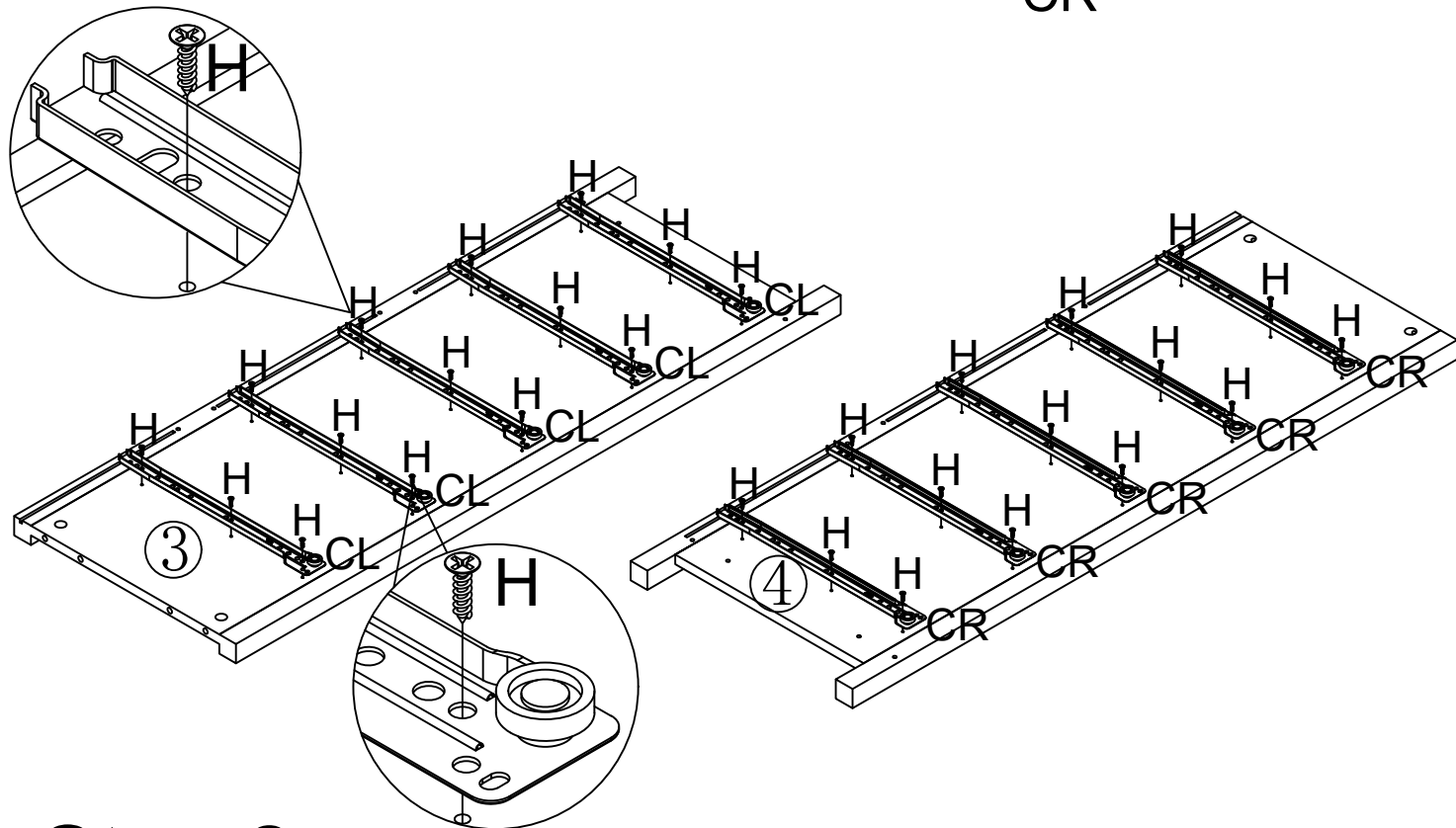
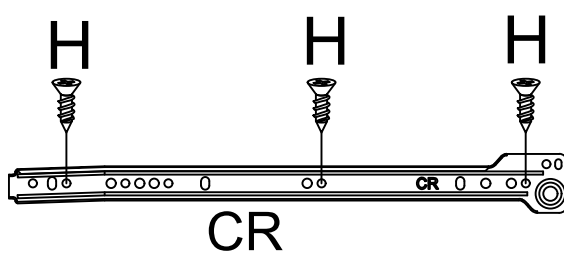
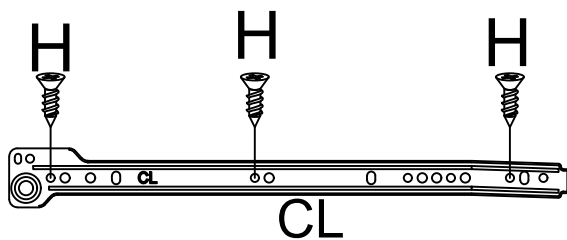
Code	Description	Qty
1	Cabinet Top	1
2	Bottom Panel	2
3	Left Side Panel	1
4	Right Side Panel	1
5	Back Panel	3
6	Drawer left panel	5
7	Drawer right side panel	5
8	The drawer bottom	5
9	After the drawer board	5
10	The drawer face	1
11	The drawer face	4
12	At the bottom of the drawer	5
13	Back stiffener	2

The Accessoriess

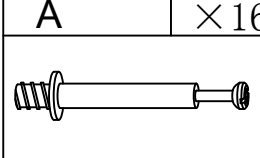


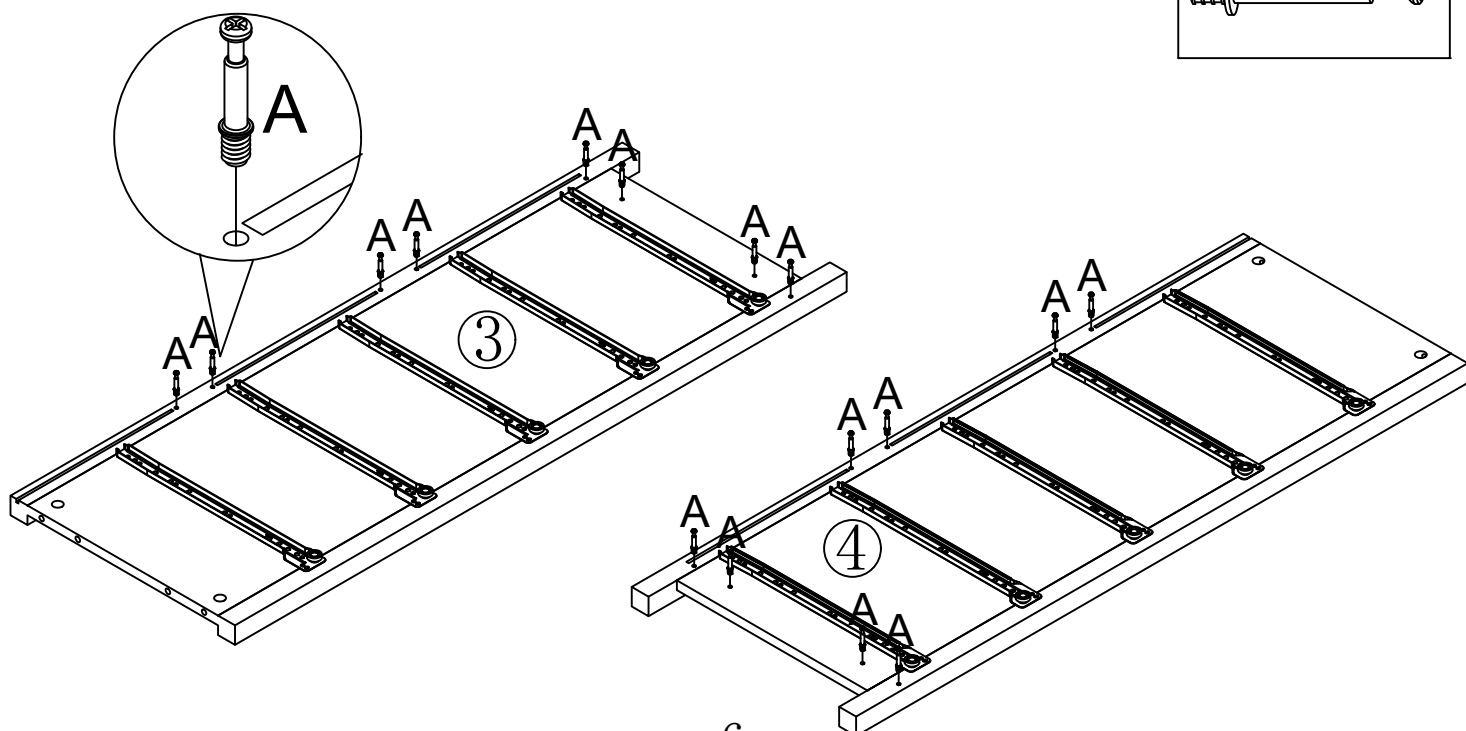
Step 1

CL	×5	CR	×5	H	×30
					

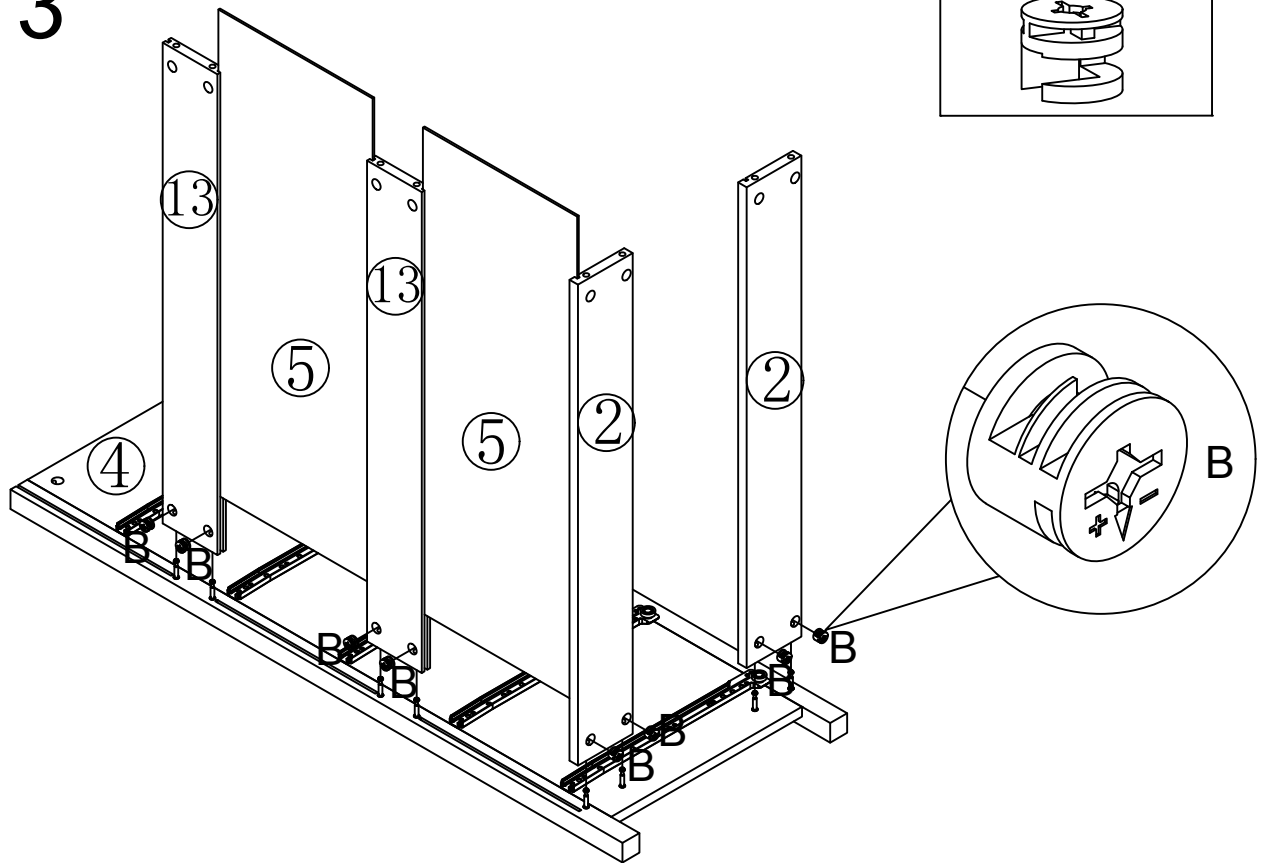


Step 2

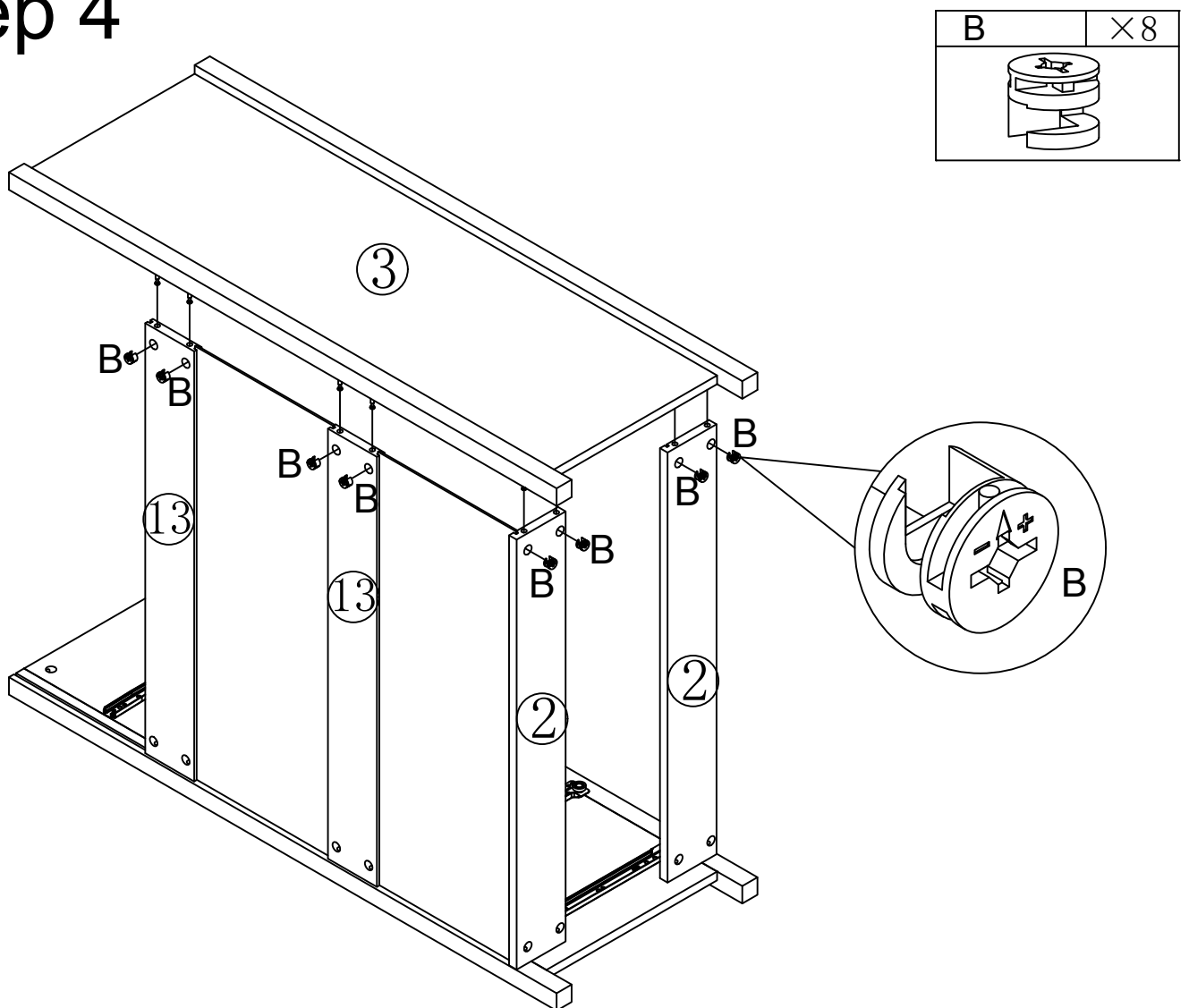
A	×16
	



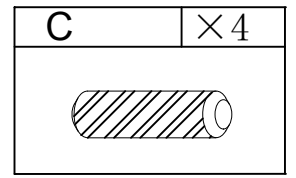
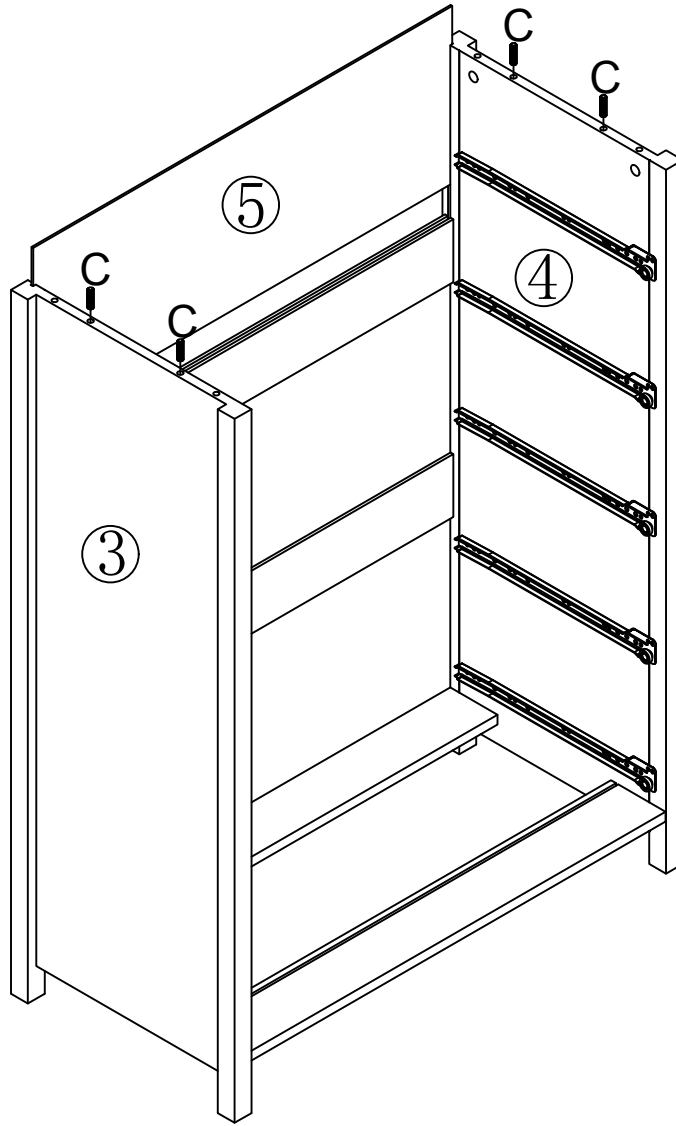
Step 3



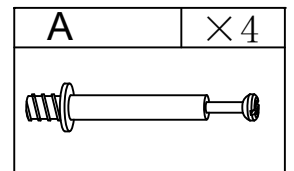
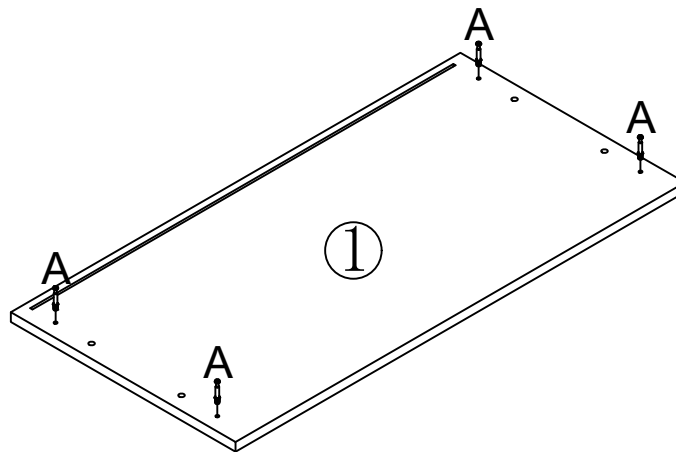
Step 4



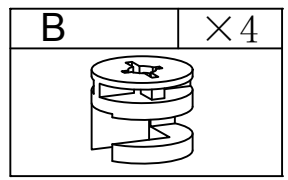
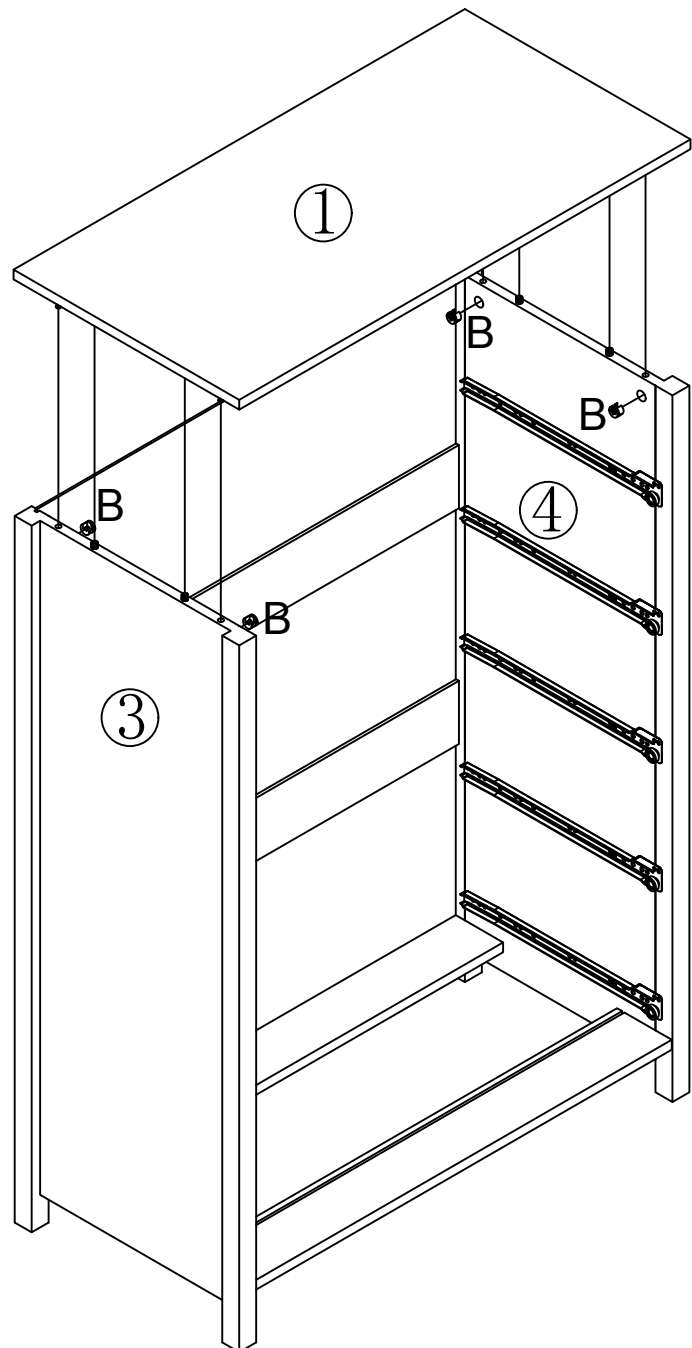
Step 5



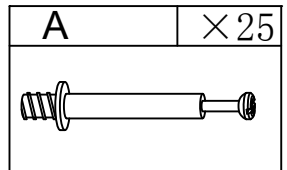
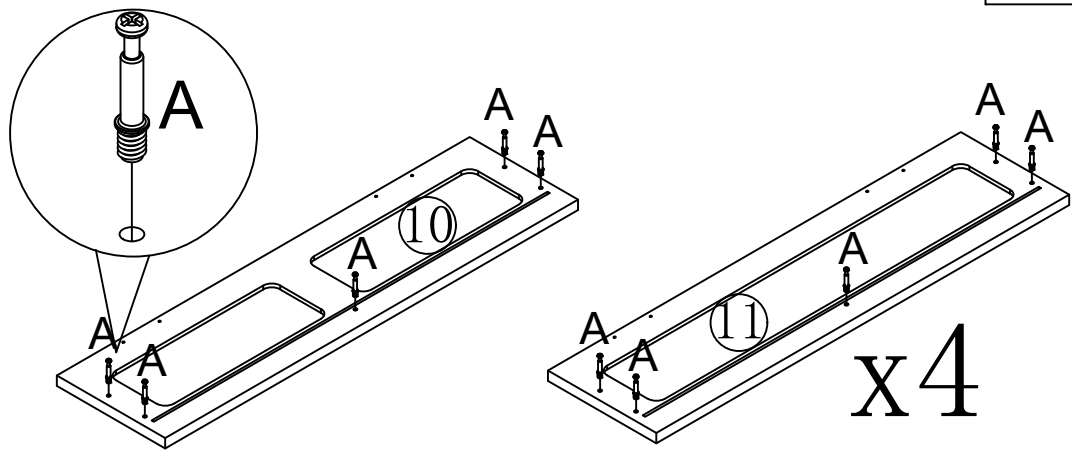
Step 6



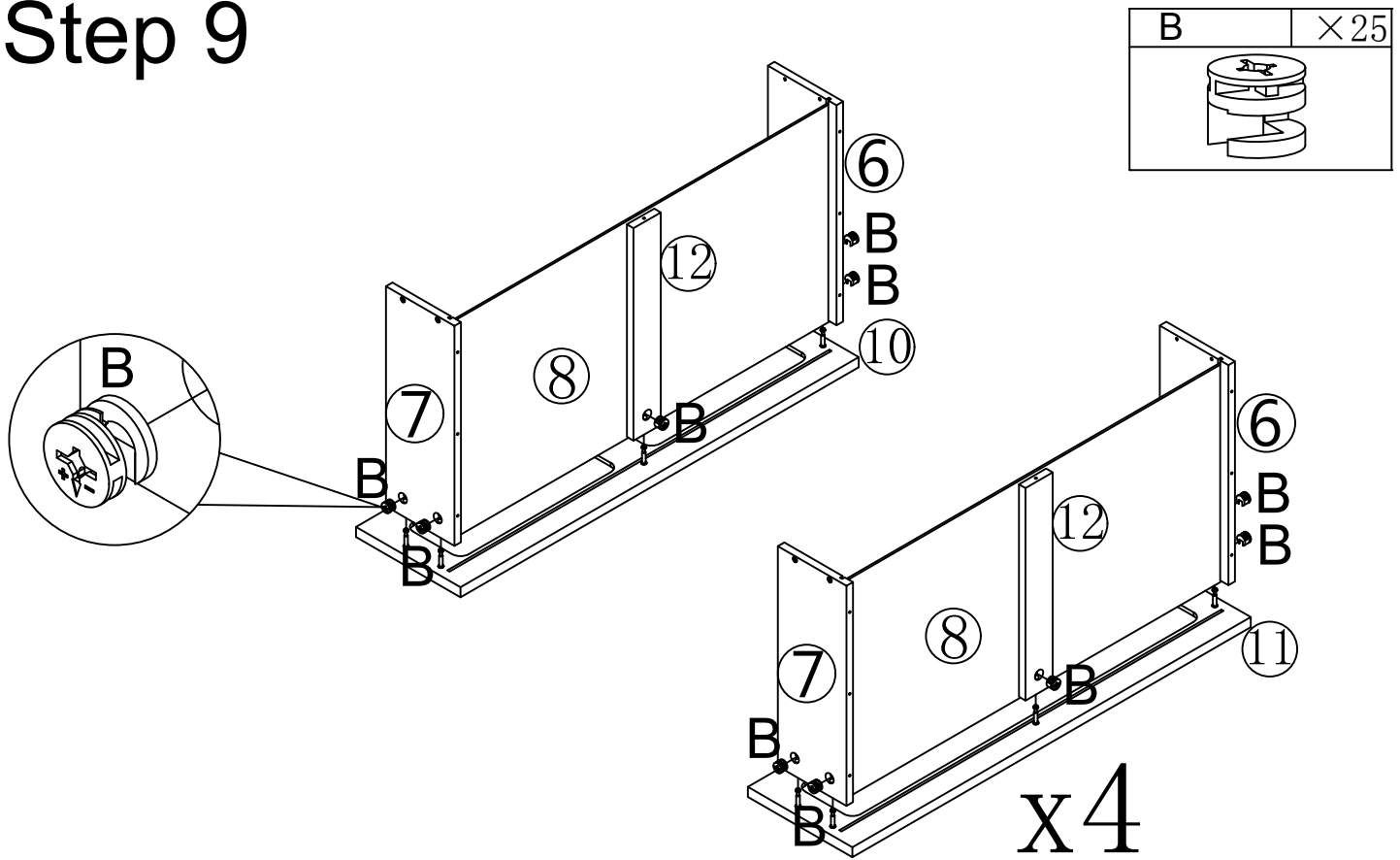
Step 7



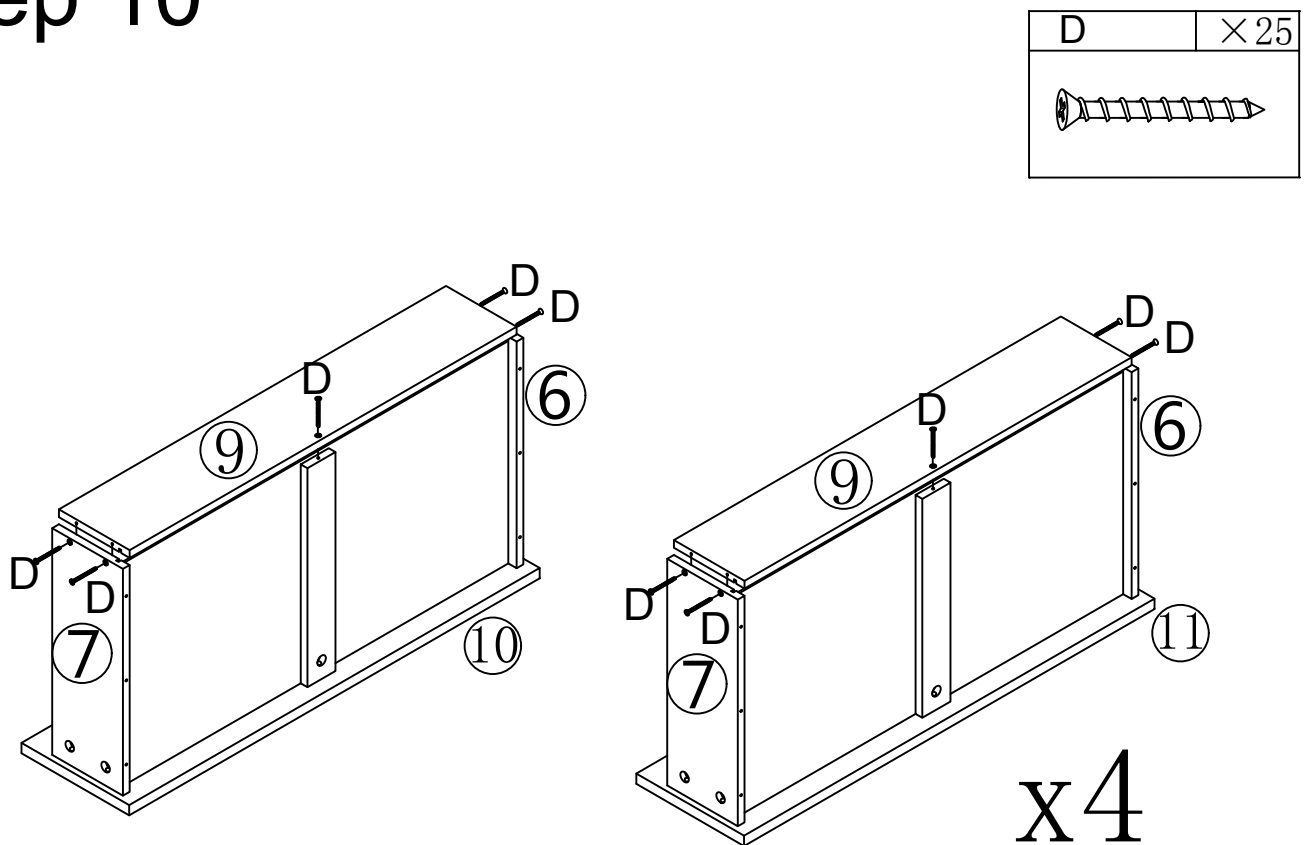
Step 8



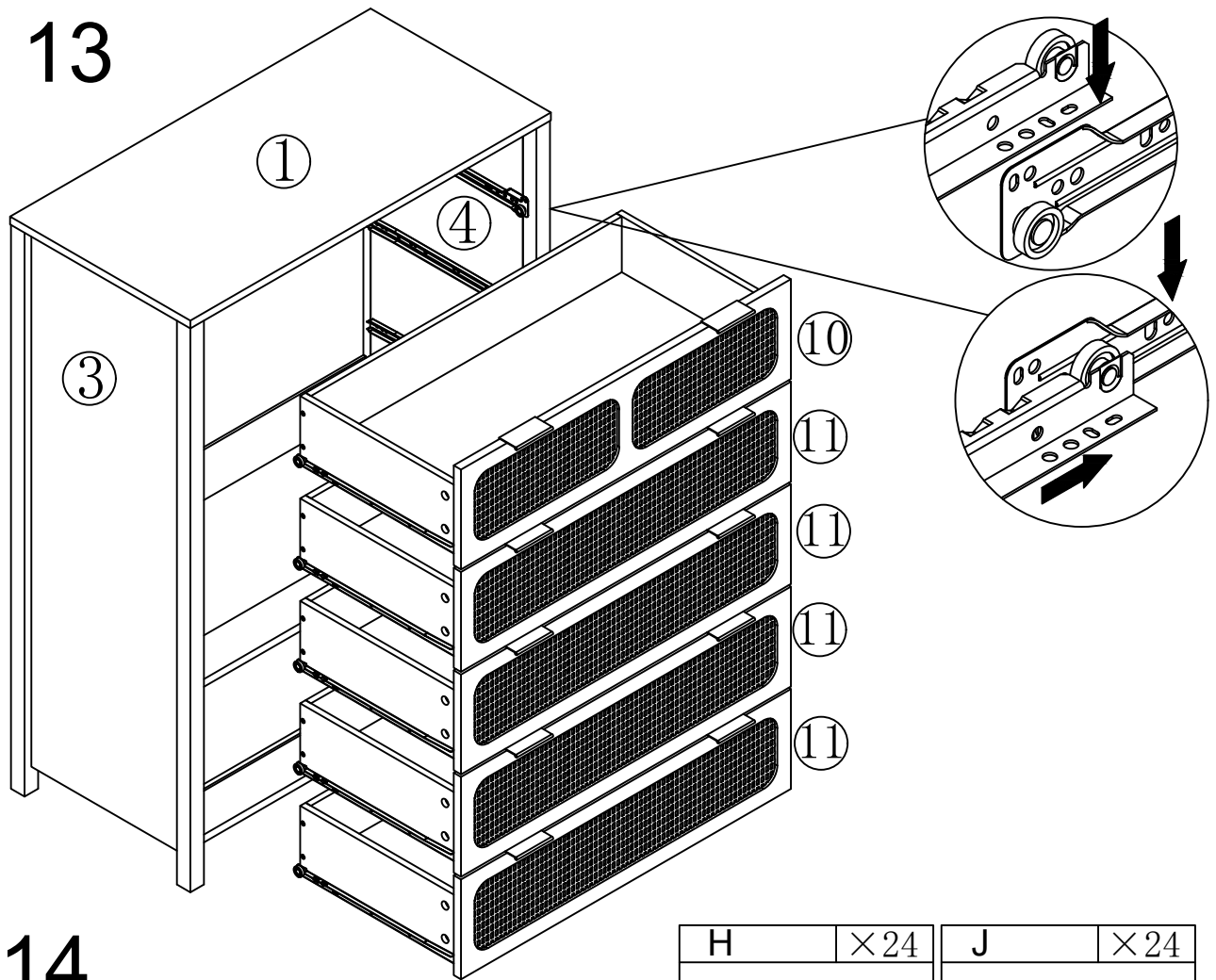
Step 9




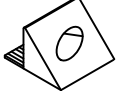
Step 10

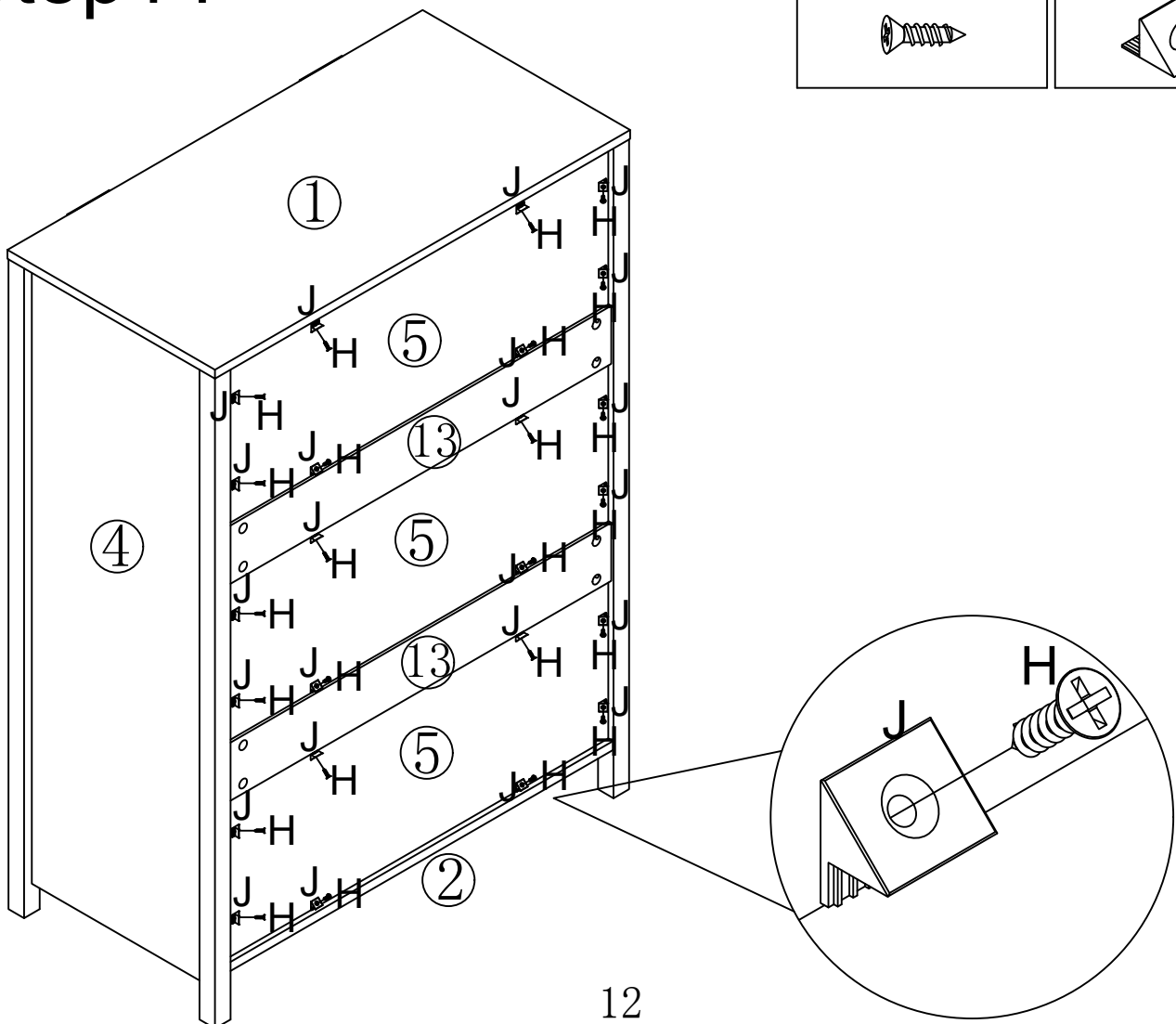


Step 13

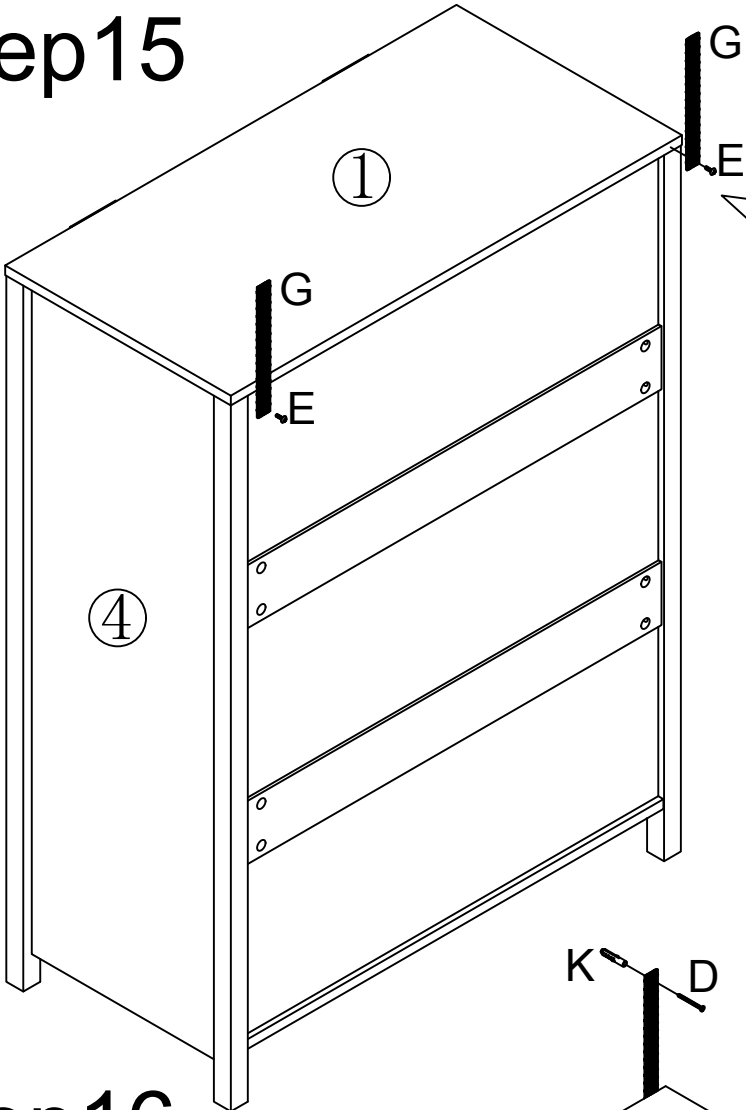



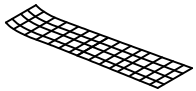
Step 14

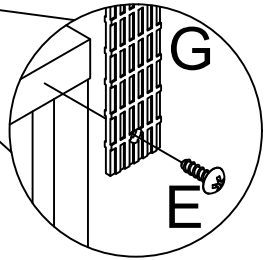
H	×24	J	×24
			



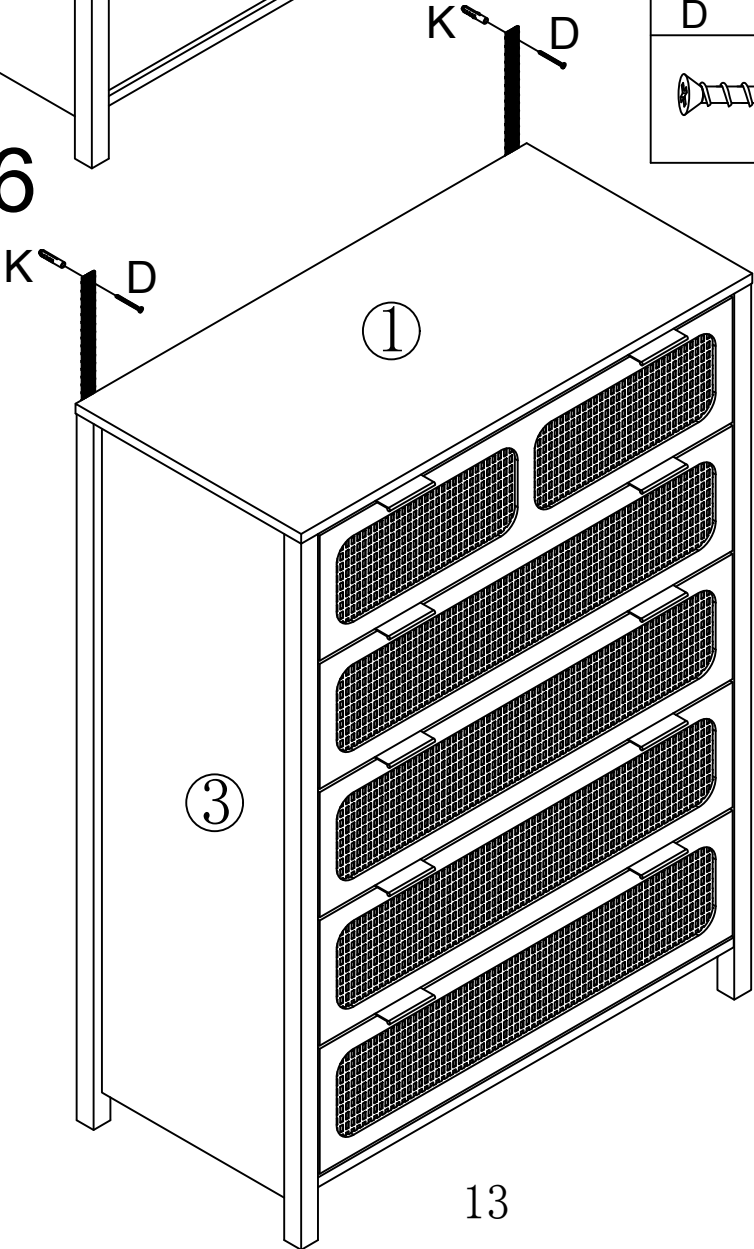
Step 15

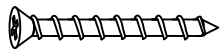


E	×2	G	×2
			



Step 16



D	×2
	

K	×2
