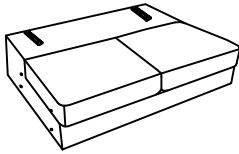


ASSEMBLY INSTRUCTIONS

SOFA

A Seat Frame



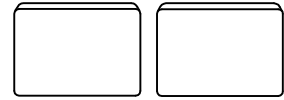
1pc

B Back Frame



1pc

C Back Cushion



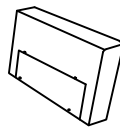
2pcs

D Left Arm



1pc

E Right Arm



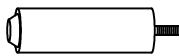
1pc

F Leg



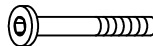
4pcs

G Support Leg



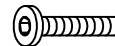
1pc

H Bolt
 $\phi 5/16$ "x60mm



8pcs

I Bolt
 $\phi 5/16$ "x30mm



8pcs

J Flat Washer
 $\phi 5/16$ "x19mm

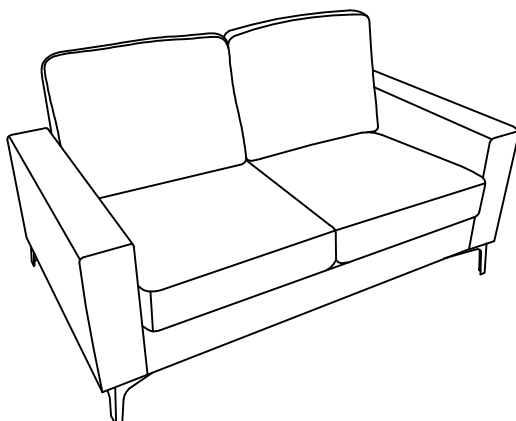


16pcs

K Allen Key
 M5

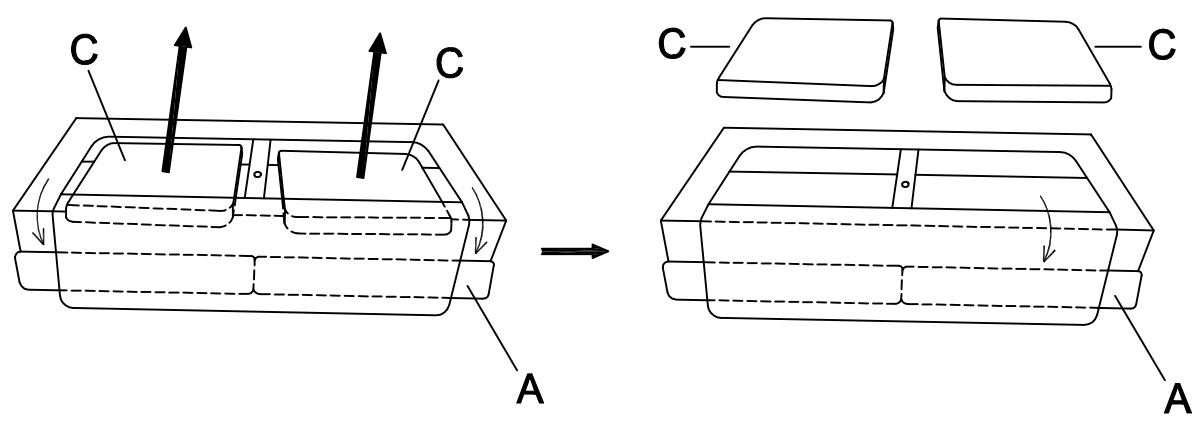


1pc

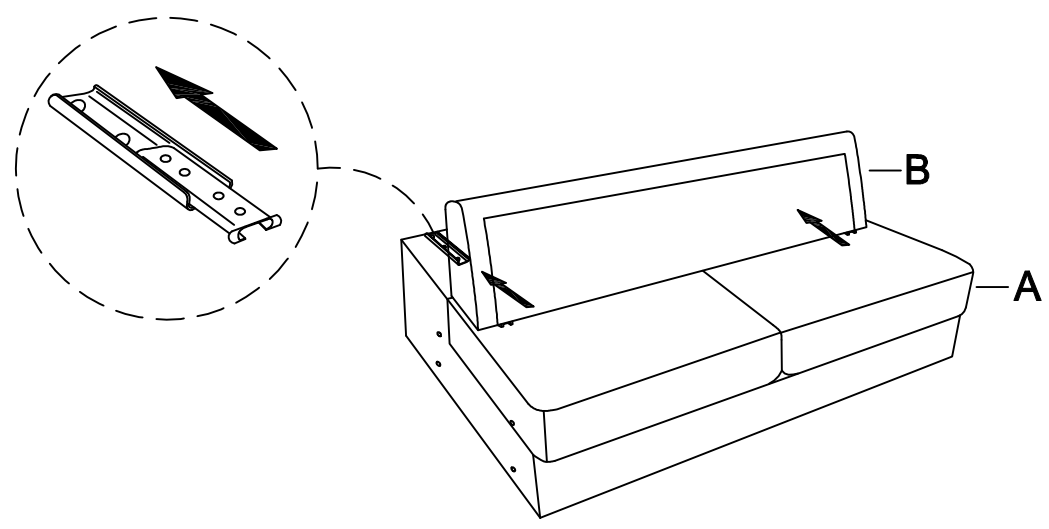


This page lists all the contents included in the box. Please take the time to identify the hardware as well as the individual components to this product. As you unpack and prepare for assembly, place the contents on a carpeted or padded area to protect them from damage.

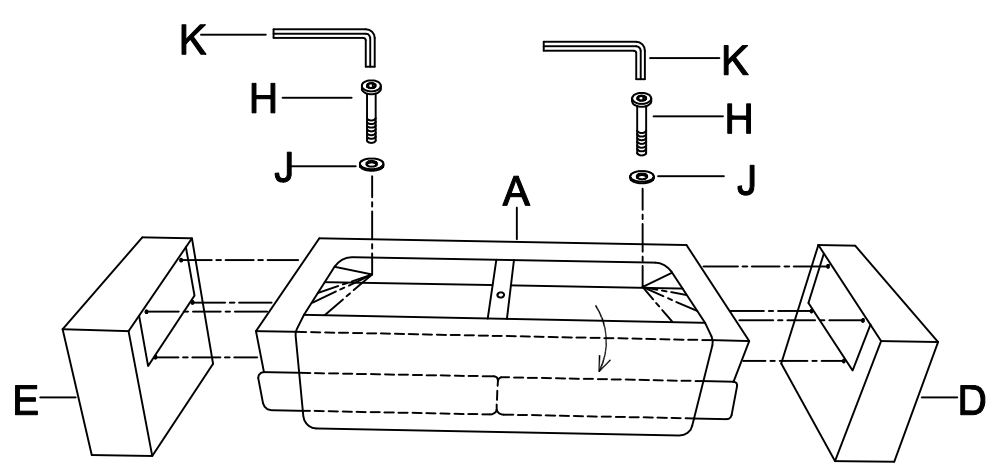
1 Put the Seat Frame (A) on a smooth flat surface and take out Back Cushion (C) from the underneath of it.



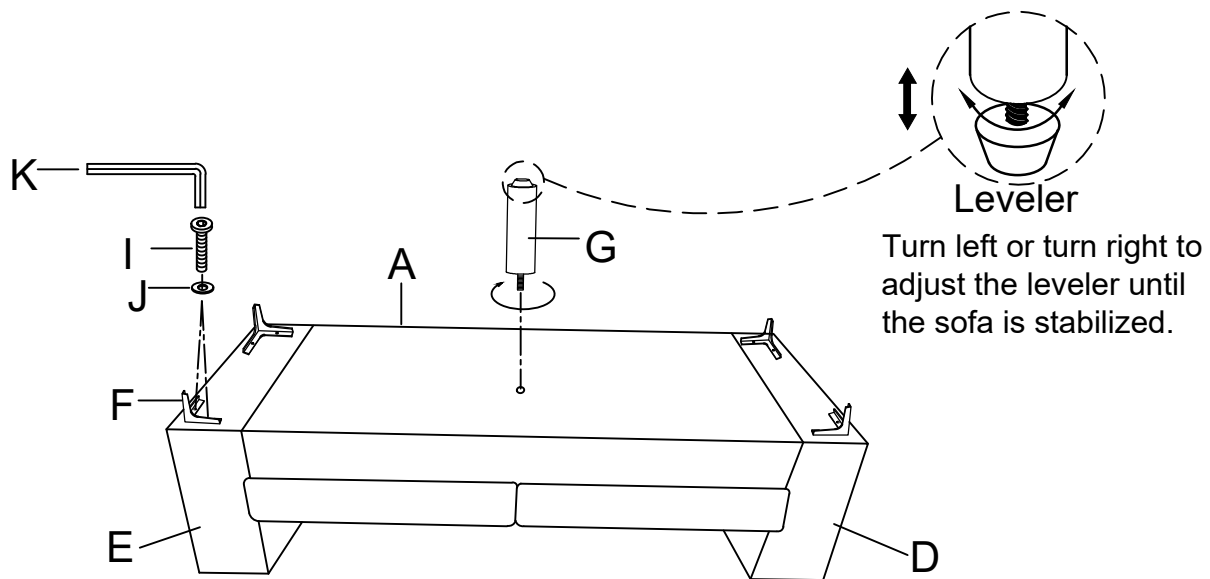
2 Hook on Back Frame (B) to Seat Frame (A) as below shown.



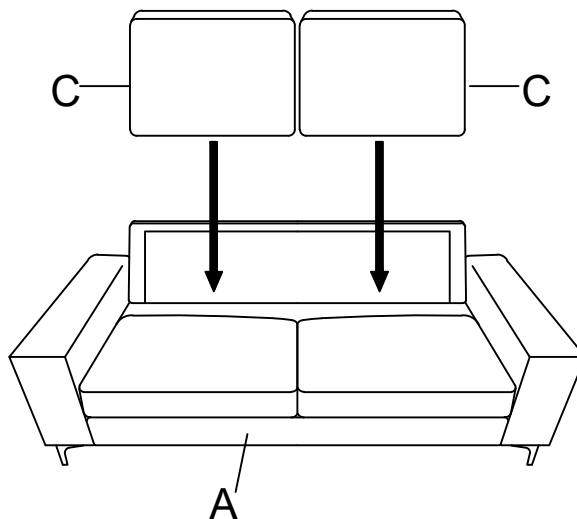
3 Assemble Left Arm (D) & Right Arm (E) to Seat Frame (A) using Bolt (H) and Flat Washer (J) by Allen Key (K).



- 4** Assemble Leg (F) to the Left Arm (D) & Right Arm (E) using Bolt (I) and Flat Washer (J) to tighten by Allen Key (K). Rotate Support Leg (G) to the center of Seat Frame (A).



- 5** Put the Back Cushion (C) on Seat Frame (A) properly.



Cleaning & Care

Treat surface with care. Surface is resistant to scratches but is not scratch resistant. Clean surfaces with a dry or damp soft cloth. Do not use abrasive cleaners. Hardware may loosen over time. Periodically check that all connections are tight.