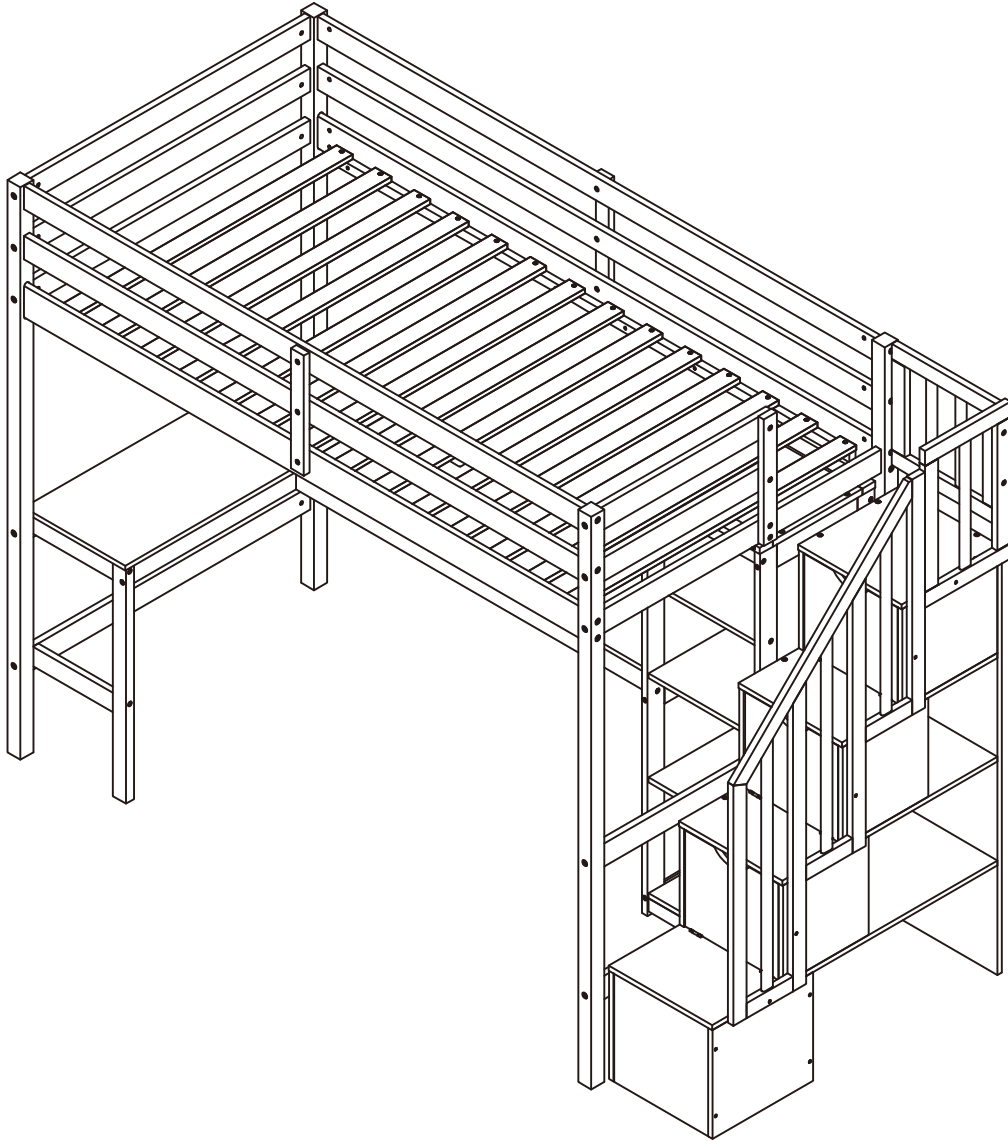


ASSEMBLY INSTRUCTIONS



If you have any question about the installation, please do not hesitate to contact us, we will reply to you within 24 hours and do our best to help you solve all problems.



SAFETY WARNING



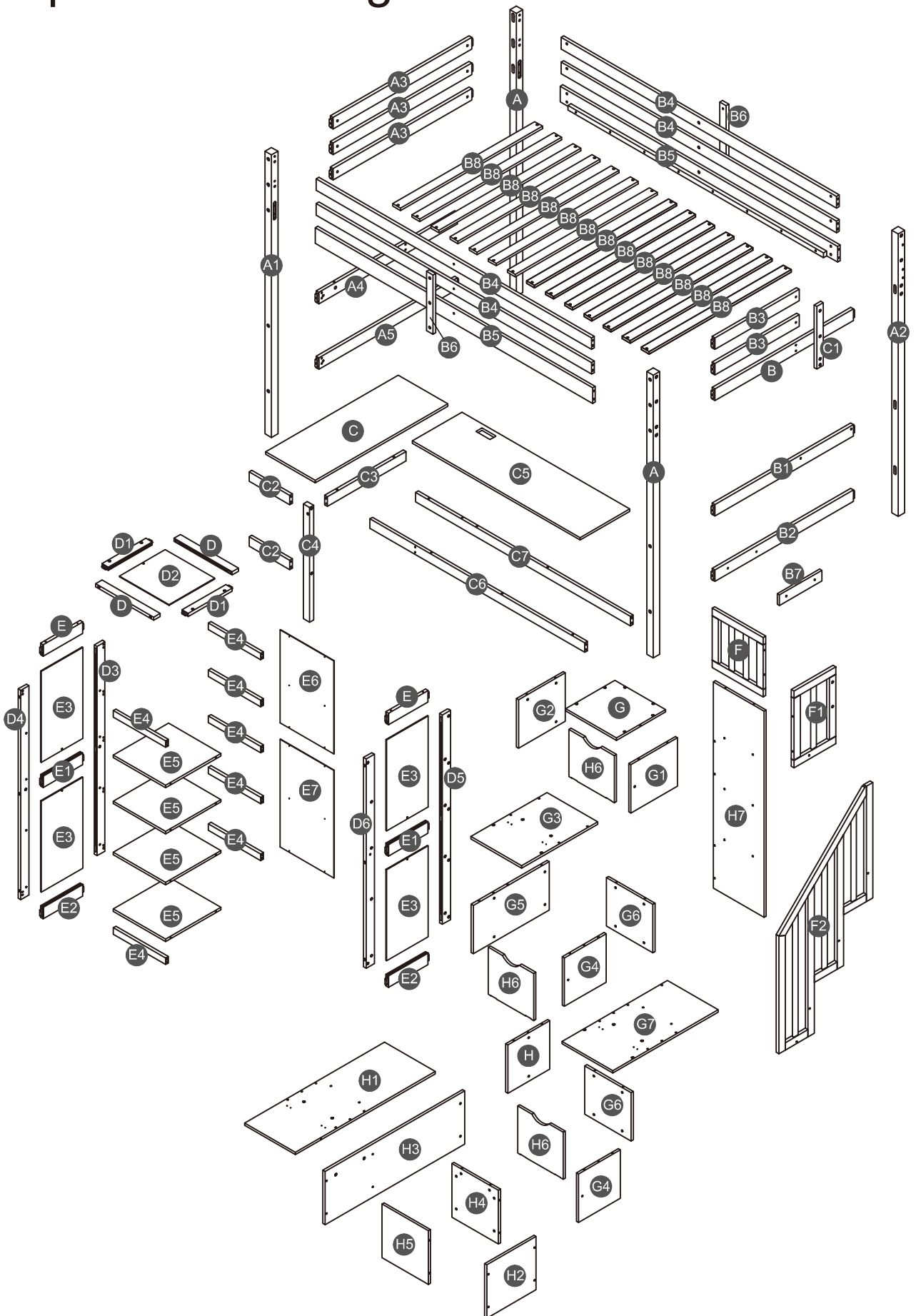
1. This bed is designed for use only mattress (es) meeting the following specifications on the upper bunk.

Upper bunk (Bunk bed and tribed included)











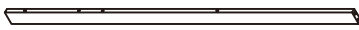
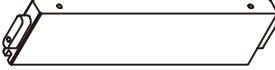


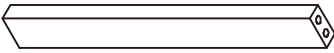
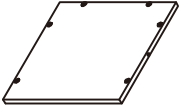



| Bed type | Length | Width | Thickness |
|---------------|---------|---------|-----------|
| Twin Standard | 74"-75" | 38 1/2" | 6" max |

2. Replacement parts, including additional guardrails, maybe obtained from any of our dealers.
3. Follow the information on the warnings appearing on the upper bunk bed end structure and on the carton. Do not remove warning label from bed.
4. Always use the recommended size mattresses or mattress supports, or both, to help prevent the likelihood of entrapment or falls.
5. Surface of mattress must be at least 5" (127mm) below the upper edge of guardrails.
6. Do not allow children under 6 years of age to use the upper bunk.
7. Periodically check and ensure that the guardrail, ladder, and other components are in their proper position, free from damage, and that all connectors are tight.
8. Do not allow horseplay on or under the bed and prohibit jumping on the bed.
9. Always use the ladder for entering and leaving the upper bunk.
10. Do not use substitute part. Contact the manufacture or dealer for replacement part.
11. Use of a night light may provide added safety precaution for a child using the upper bunk.
12. Always use guardrails on both long sides of the upper bunk. If the bunk bed will be placed next to the wall, the guardrail that runs the full length of the bed should be placed against the wall to prevent entrapment between the bed and wall.
13. The use of water or sleep flotation mattresses is prohibited.
14. STRANGULATION HAZARD - Never attach or hang items to any part of the bunk bed that are not designed for use with the bed; for example, but not limited to, hook, belts and jump ropes.
15. Keep these instruction for future reference.
16. Prohibit more than one person on upper bunk.
17. We recommend assembling your bunk bed on the shipping carton to protect your floor or carpet.
18. Be certain all staples are out of the box before beginning assembly on the shipping carton.




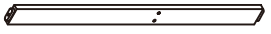

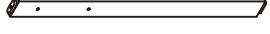










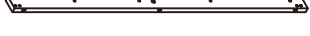




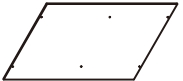

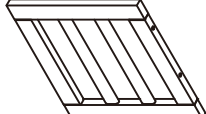

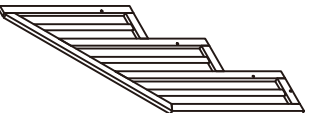

Exploded Drawing



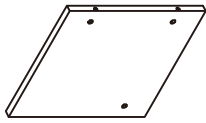
Part List & Hardware List (Box 1)

| | | |
|---|---|---|
| <p>A</p>  <p>Leg (left back/right front) - 2pcs</p> | <p>A1</p>  <p>Leg (left front) - 1pc</p> | <p>A2</p>  <p>Leg (right back) - 1pc</p> |
| <p>B4</p>  <p>Upper long guard rail - 4pcs</p> | <p>B5</p>  <p>Side rail - 2pcs</p> | <p>B8</p>  <p>Slats - 14pcs</p> |
| <p>C</p>  <p>Top panel - 1pc</p> | <p>C4</p>  <p>Leg (front) - 1pc</p> | <p>C5</p>  <p>Top panel - 1pc</p> |
| <p>C6</p>  <p>Horizontal bar (front) - 1pc</p> | <p>C7</p>  <p>Horizontal bar (back) - 1pc</p> | <p>E</p>  <p>Upper horizontal bar - 2pcs</p> |
| <p>E1</p>  <p>Mid horizontal bar - 2pcs</p> | <p>E2</p>  <p>Lower horizontal bar - 2pcs</p> | <p>E4</p>  <p>Horizontal bar - 7pcs</p> |
| <p>G</p>  <p>Upper step ladder panel -1pc</p> | <p>G3</p>  <p>Upper center step ladder panel -1pc</p> | <p>G7</p>  <p>Lower center step ladder panel -1pc</p> |
| <p>H1</p>  <p>Lower step ladder panel -1pc</p> | | |

Part List (Box 2)

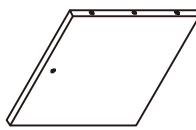
| | | |
|--|---|---|
| A3  Upper horizontal bar HB- 3pcs | A4  Mid horizontal bar HB- 1pc | A5  Lower horizontal bar HB- 1pc |
| B  Upper horizontal bar FB- 1pc | B1  Mid horizontal bar FB - 1pc | B2  Lower horizontal bar FB - 1pc |
| B3  Upper horizontal bar FB- 2pcs | B6  Vertical guard rail - 2pcs | B7  Support - 1pc |
| C1  Vertical guard rail - 1pc | C2  Horizontal bar (front) - 2pcs | C3  Horizontal bar - 1pc |
| D  Upper horizontal bar - 2pcs | D1  Upper horizontal bar - 2pcs | D2  Top panel - 1pc |
| D3  Vertical bar (left back) - 1pc | D4  Vertical bar (left front) - 1pc | D5  Vertical bar (right back) - 1pc |
| D6  Vertical bar (right front) - 1pc | E3  Side panel - 4pcs | E5  Upper shelf panel - 4pcs |
| E6  Upper back panel -1pc | E7  Lower back panel -1pc | F  Upper guard rail (back) - 1pc |
| F1  Guard rail - 1pc | F2  Guard rail - 1pc | G1  Upper right side panel - 1pc |

G2



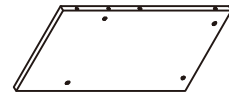
Upper left side panel - 1pc

G4



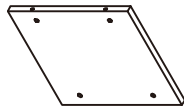
Center right side panel - 2pcs

G5



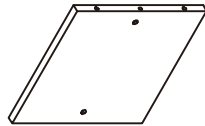
Upper center left side panel - 1pc

G6



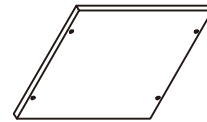
Center panel (back) - 2pcs

H



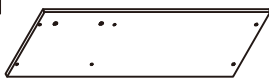
Lower center right side panel - 1pc

H2



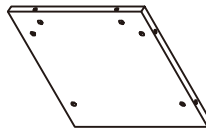
Lower right side panel - 1pc

H3



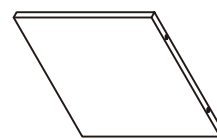
Lower left side panel - 1pc

H4



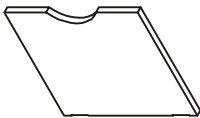
Lower panel (back) - 1pc

H5



Lower front panel - 1pc

H6



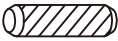


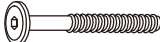










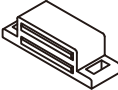
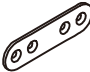
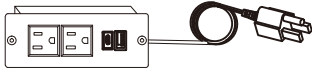








Upper front panel - 3pcs

H7





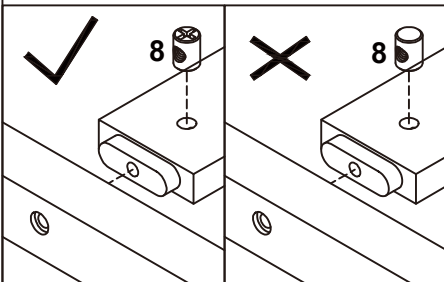
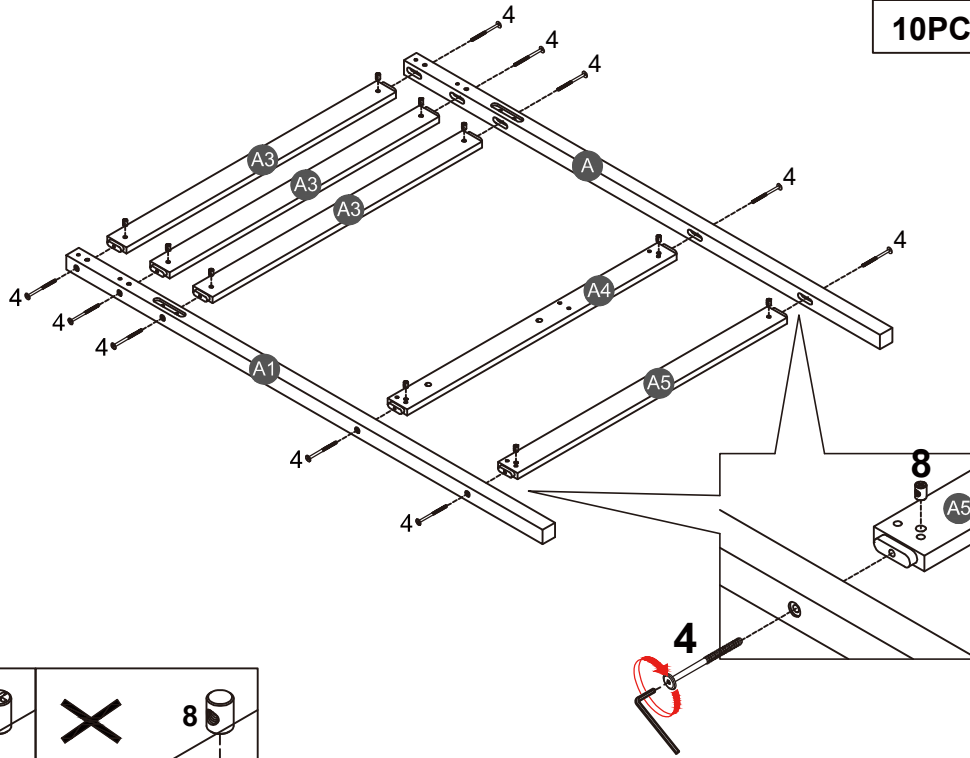
Back panel - 1pc

Hardware List (Box 1)

| | | | | | |
|-----------|---|-----------|---|-----------|---|
| 1 |  Ø10*40mm | 2 |  Ø8*30mm | 3 |  (Ø15)1/4"*100mm |
| | Wood dowel (8pcs) | | Wood dowel (39pcs) | | Hex-Head bolts (16pcs) |
| 4 |  (Ø15)1/4"*80mm | 5 |  (Ø12)1/4"*60mm | 6 |  (Ø12)1/4"*40mm |
| | Hex-Head bolts (23pcs) | | Hex-Head bolts (83pcs) | | Hex-Head bolts (2pcs) |
| 7 |  (Ø12)1/4"*30mm | 8 |  1/4"*15 (9.5mm) | 9 |  (Ø12)1/4"*65mm |
| | Hex-Head bolts (13pcs) | | Horizontal-Hole bolts(120pcs) | | Hex-Head bolts (16pcs) |
| 10 |  (Ø12)1/4"*50mm | 11 |  (Ø12)1/4"*40mm | 12 |  Ø3.5*15mm |
| | Hex-Head bolts (2pcs) | | Hex-Head bolts (6pcs) | | Wood screws (13pcs) |
| 13 |  Ø7"*35mm | 14 |  Ø14*9mm | 15 |  Ø4*30mm |
| | Cam lock (12pcs) | | Cam lock (12pcs) | | Wood screws (28pcs) |
| 16 |  45*17*13mm | 17 |  70*20*2mm | 18 |  1500*43*47*125mm |
| | Door catch (3pcs) | | Metal bracket (1pc) | | Power outlet (1pc) |
| 19 |  Ø3.5*15mm | 20 |  (1/4")4.5*58mm | 21 |  (Ø12)1/4"*35mm |
| | Wood screws (30pcs) | | Allen key (1pc) | | Hex-Head bolts (1pc) |
| 22 |  L1900mm | 23 |  2000mm | 24 |  L124*40*7mm |
| | Led light (1pc) | | Adapter and wire strip (1pc) | | Remote led light (1pc) |
| 25 |  22*10*6mm | 26 |  42*12*1mm | | |
| | Clamp plastic (1pc) | | Metal magnet (3pcs) | | |



STEP 1:

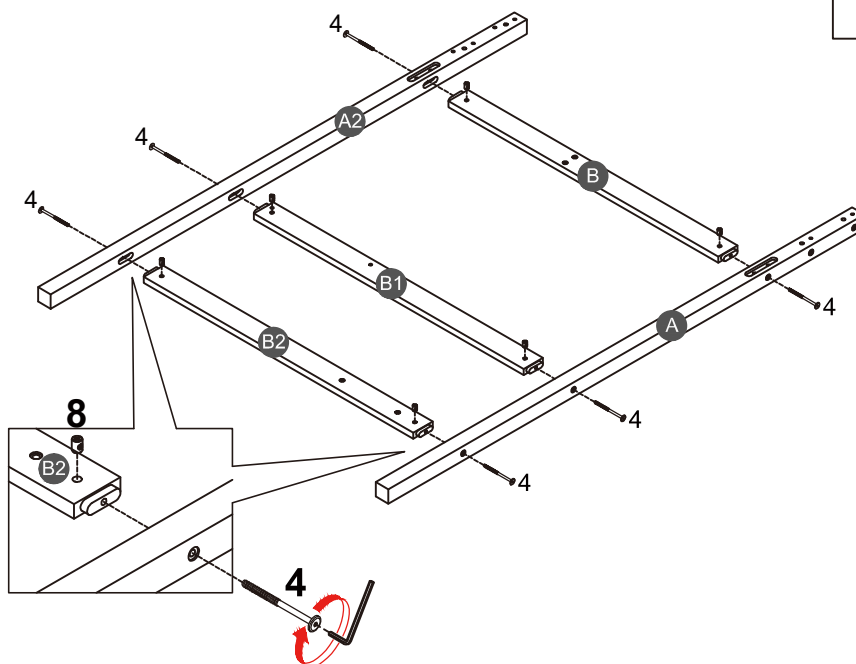
| | | | |
|--------------|---|--------------|---|
| 4 |  | 8 |  |
| 10PCS | | 10PCS | |






Note: Part 8 will face up with the "x" mark on it, lotherwise it cannot be tightened

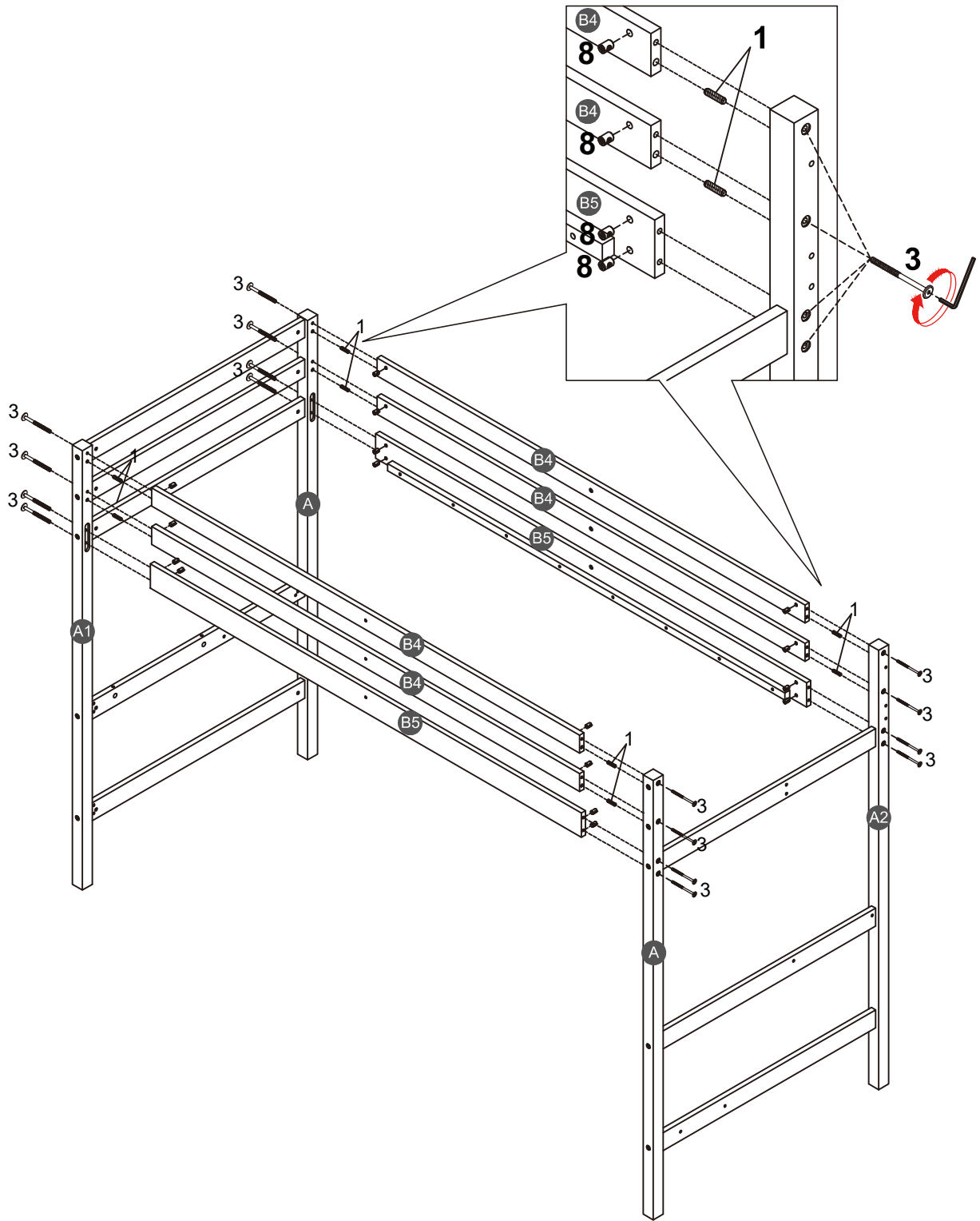
STEP 2:

| | | | |
|-------------|---|-------------|---|
| 4 |  | 8 |  |
| 6PCS | | 6PCS | |

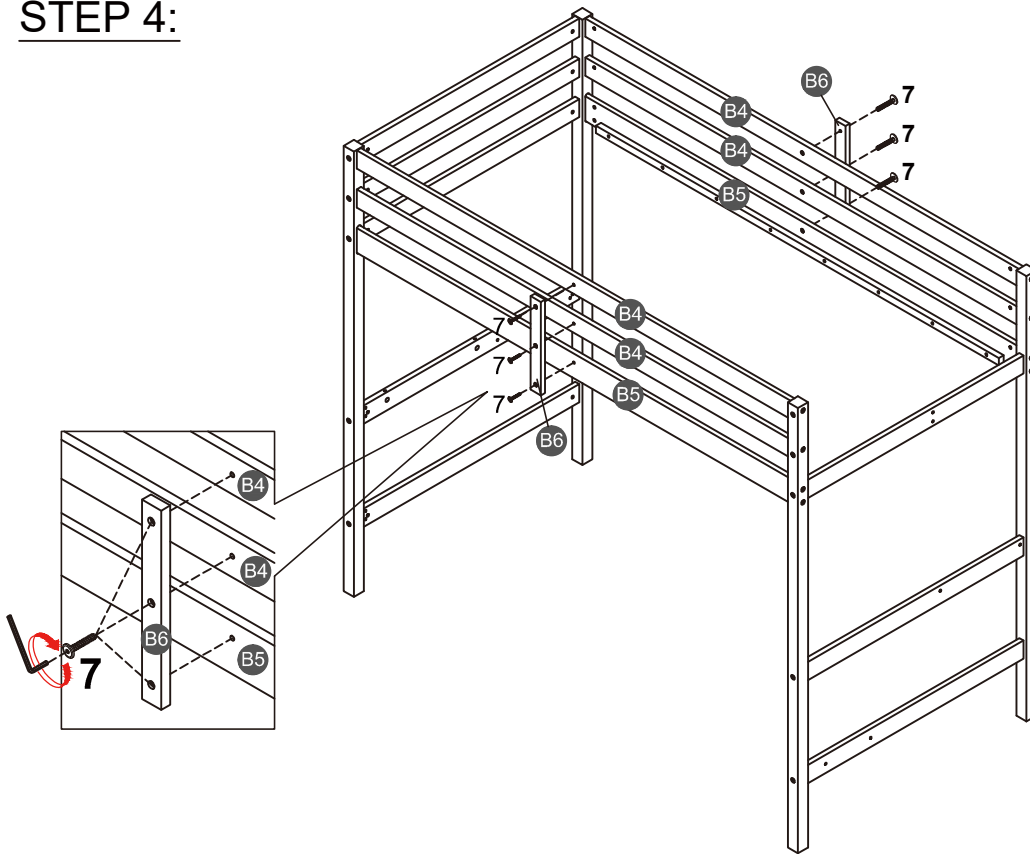


STEP 3:

| | | | | | |
|-------------|---|--------------|---|--------------|---|
| 1 |  | 3 |  | 8 |  |
| 8PCS | | 16PCS | | 16PCS | |



STEP 4:

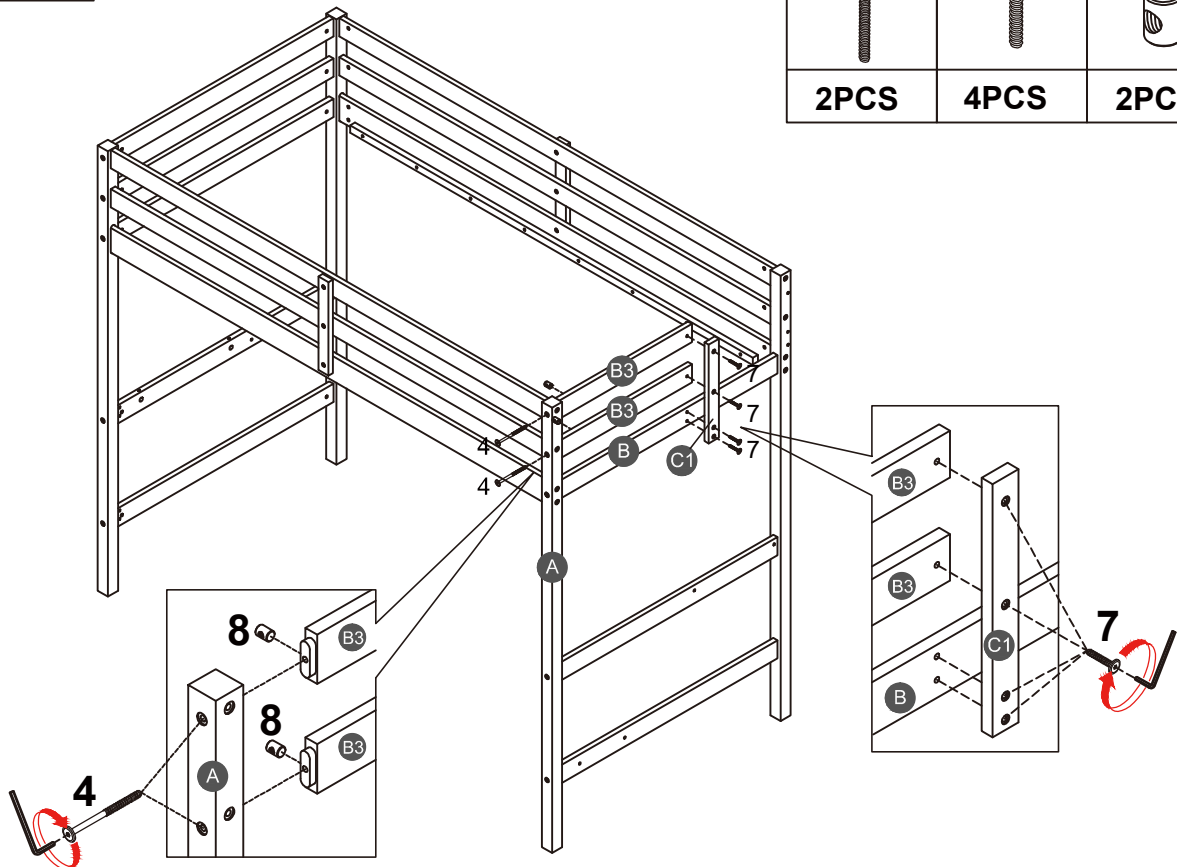


7



6PCS

STEP 5:



4



2PCS

7



4PCS

8



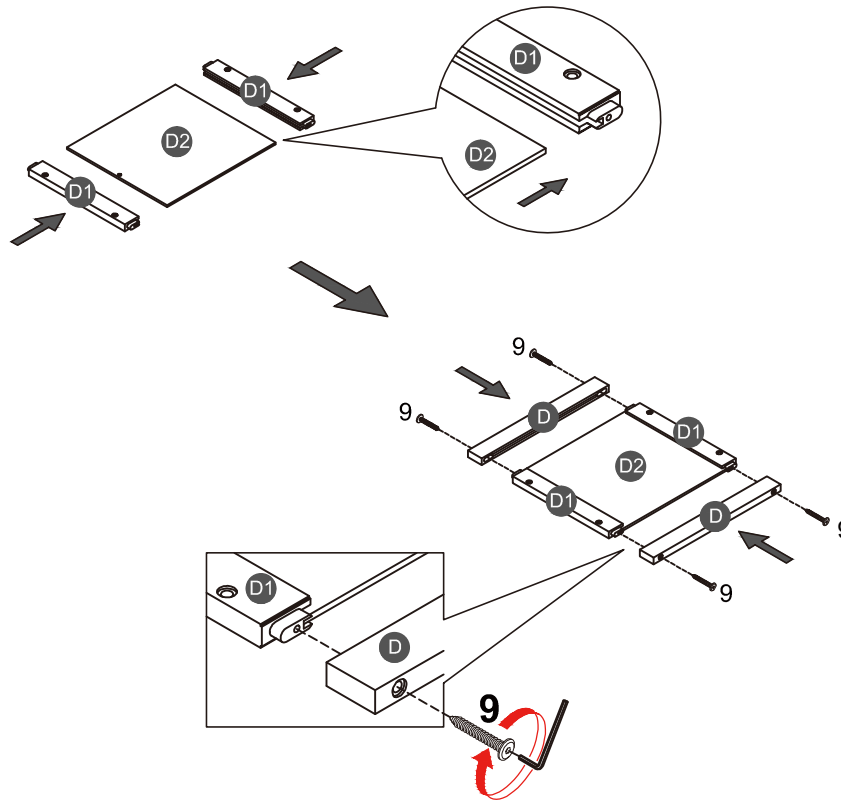
2PCS

STEP 6:

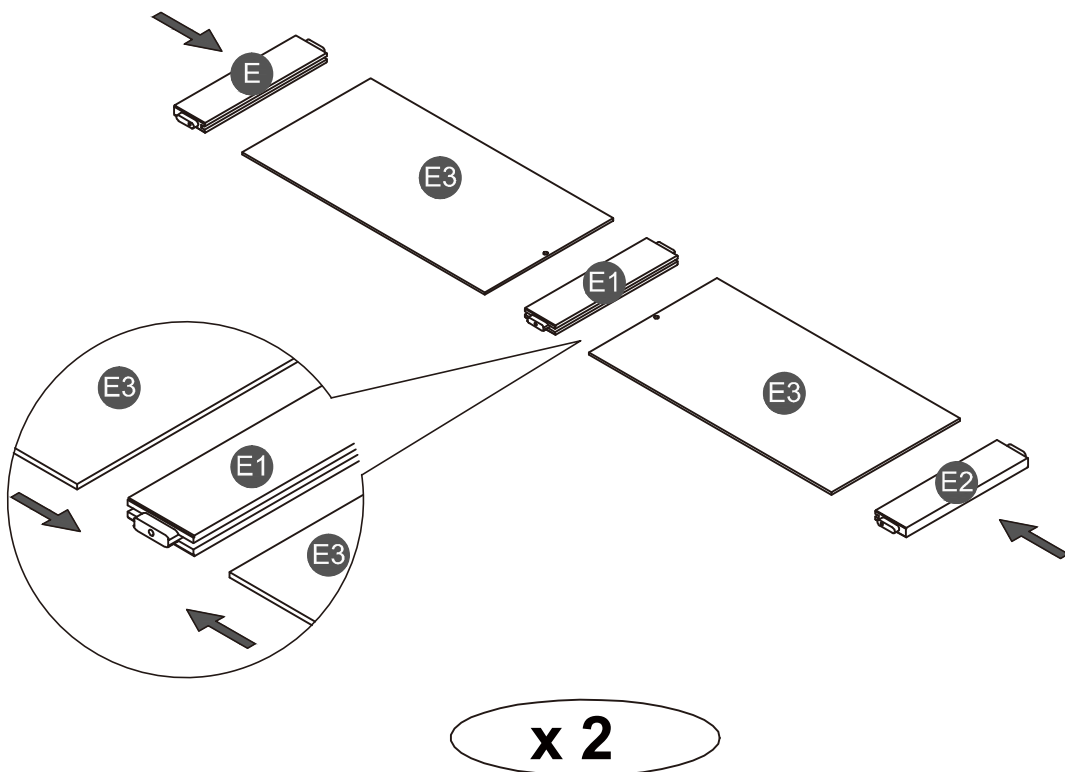
9



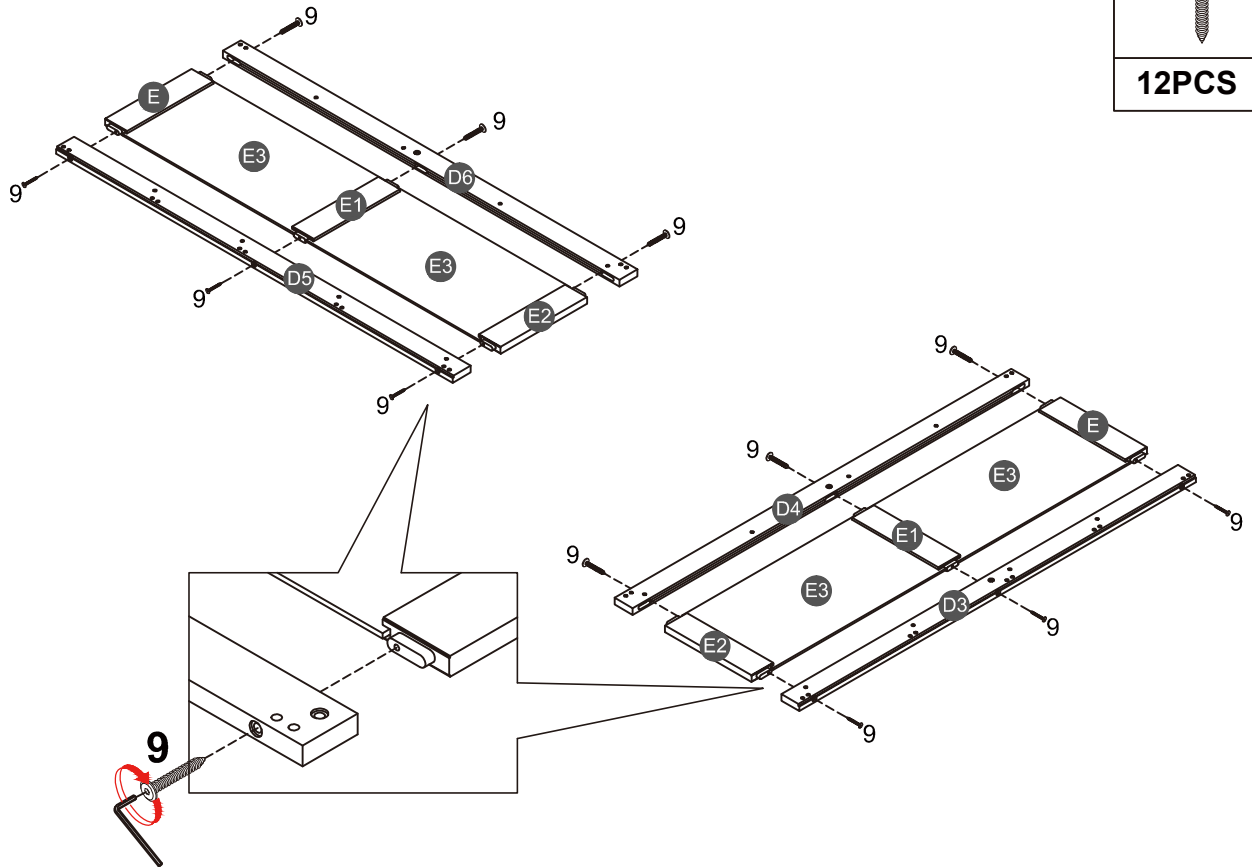
4PCS



STEP 7:



STEP 8:

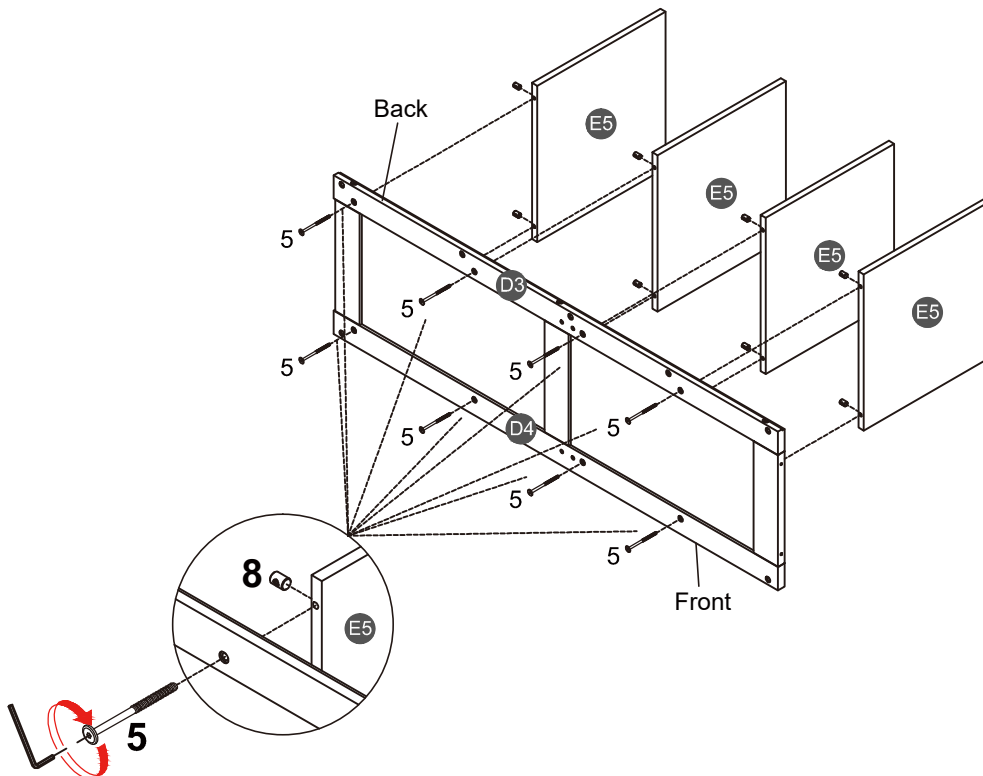


9



12PCS

STEP 9:



5



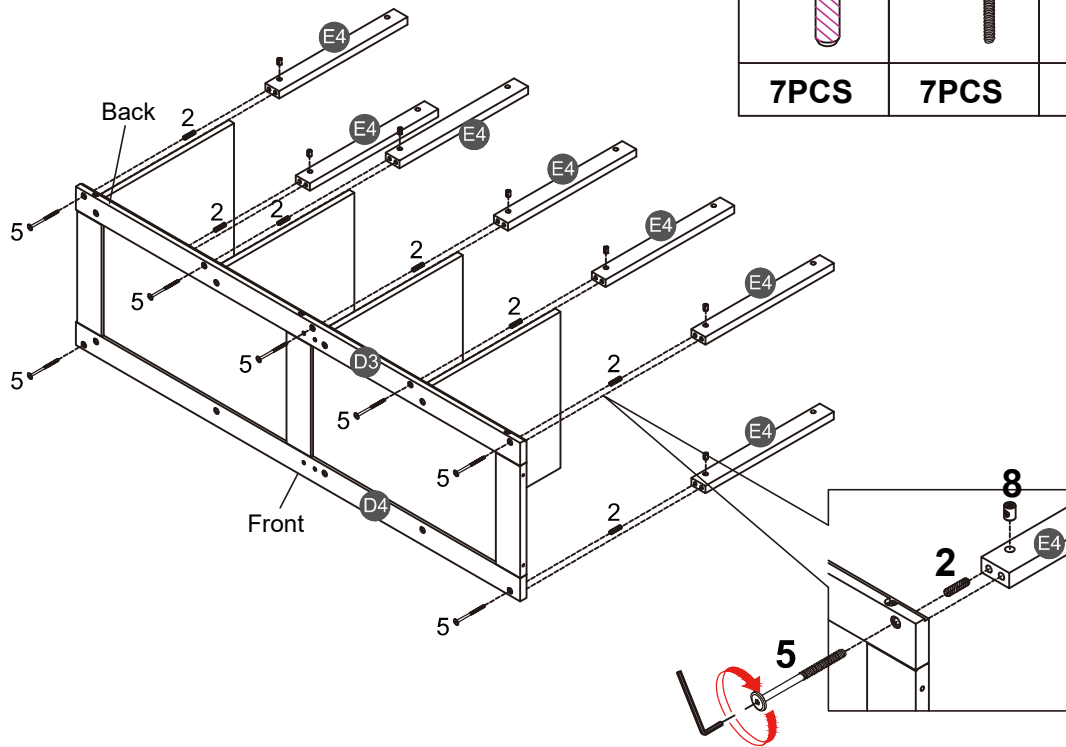
8PCS




8



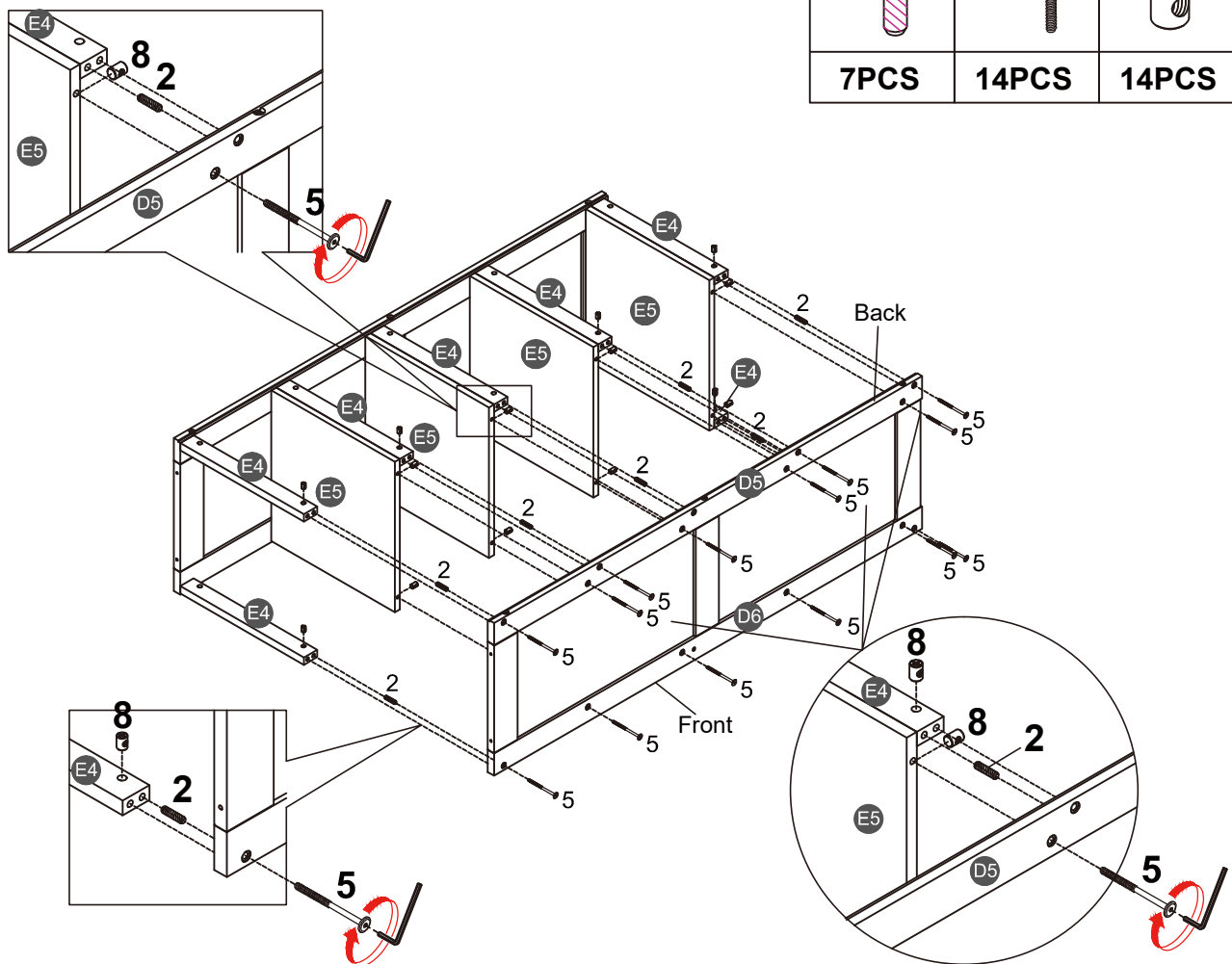
8PCS




STEP 10:



| | | | | | |
|-------------|---|-------------|---|-------------|---|
| 2 |  | 5 |  | 8 |  |
| 7PCS | | 7PCS | | 7PCS | |

STEP 11:



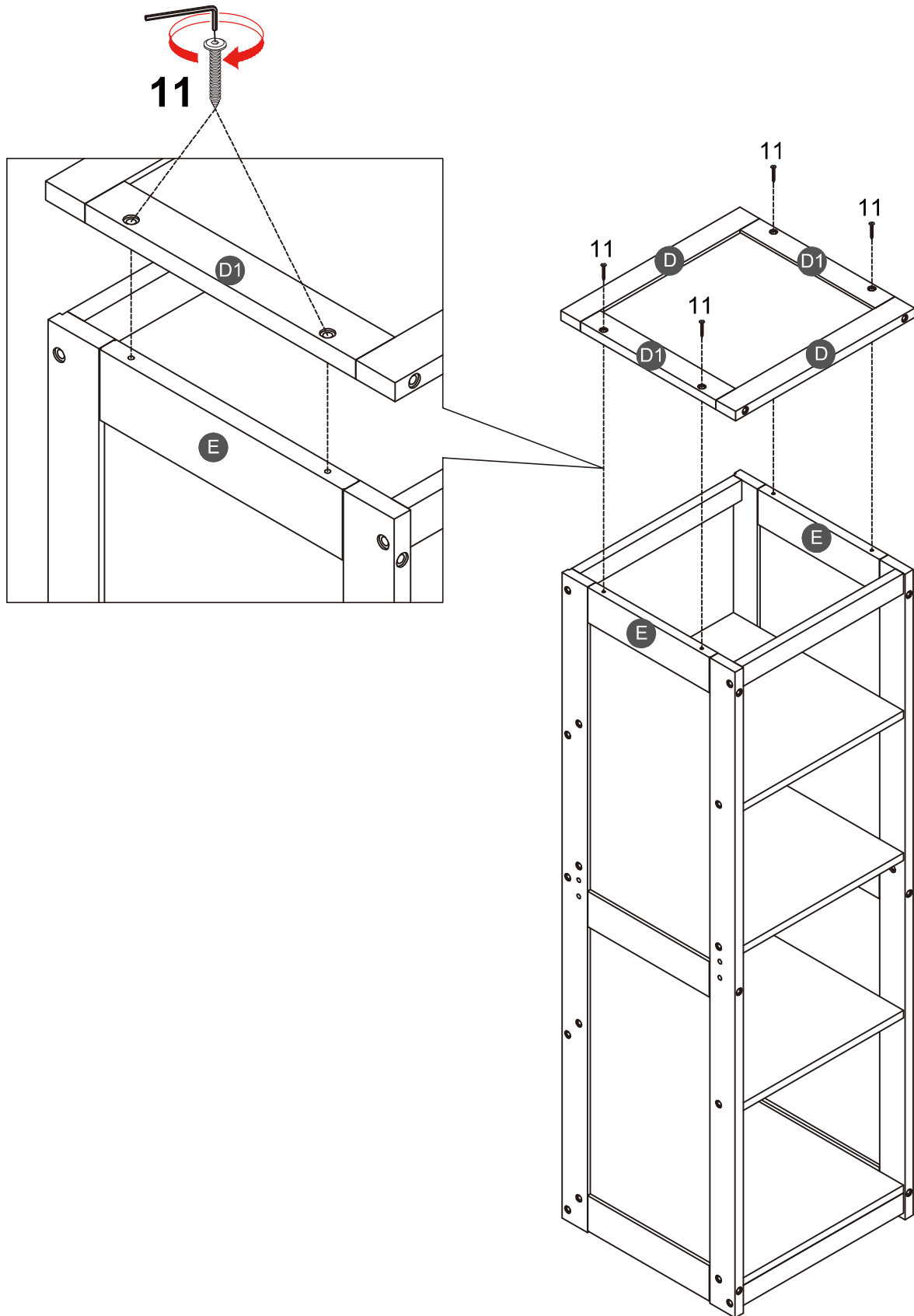
| | | | | | |
|-------------|---|--------------|---|--------------|---|
| 2 |  | 5 |  | 8 |  |
| 7PCS | | 14PCS | | 14PCS | |

STEP 12:




11

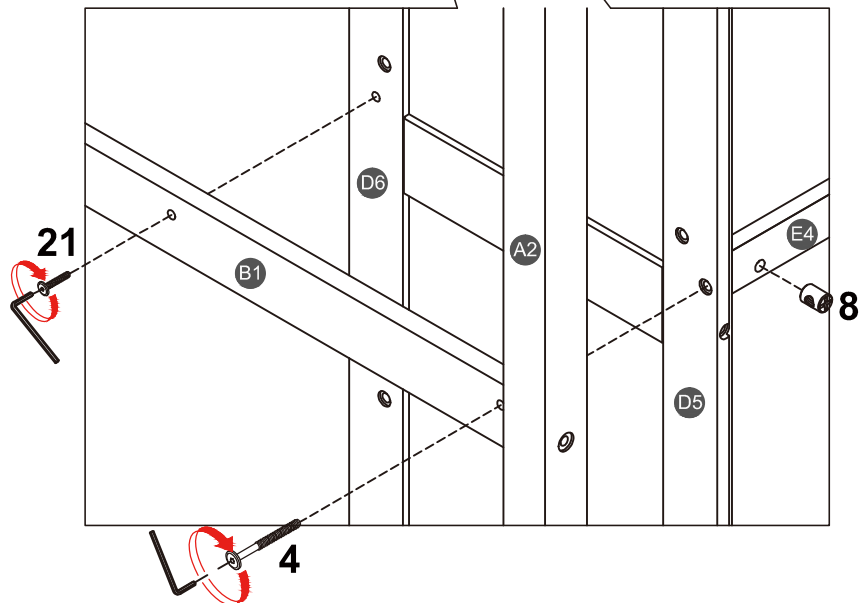
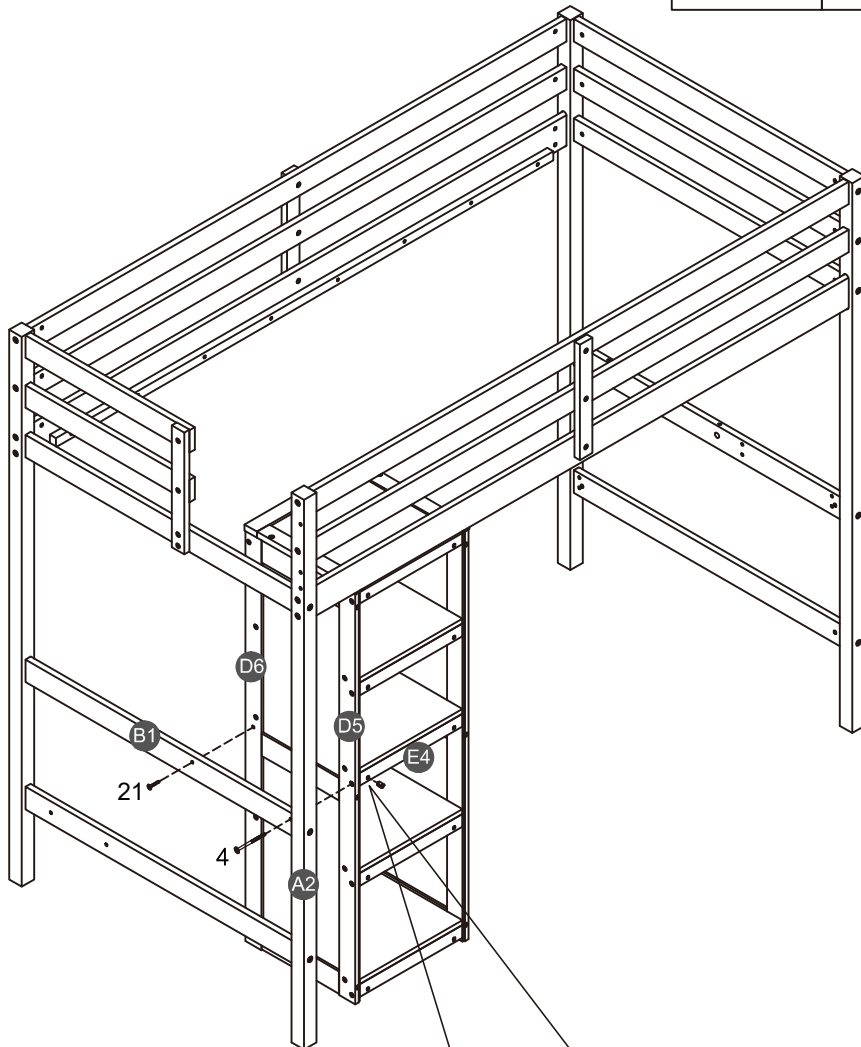


4PCS






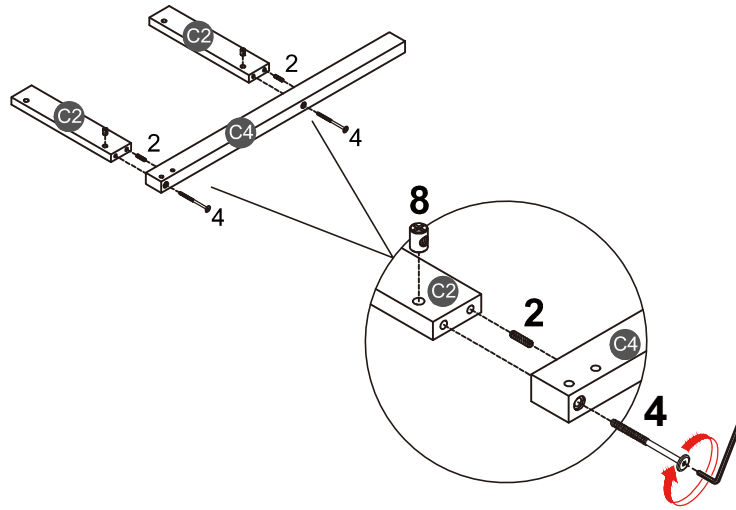
STEP 13:

| | | |
|---|---|--|
| 4  | 8  | 21  |
| 1PC | 1PC | 1PC |






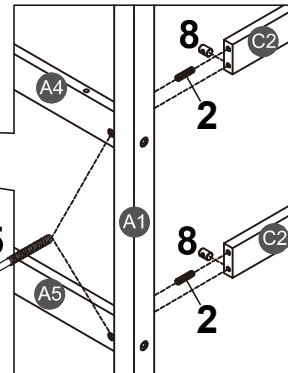
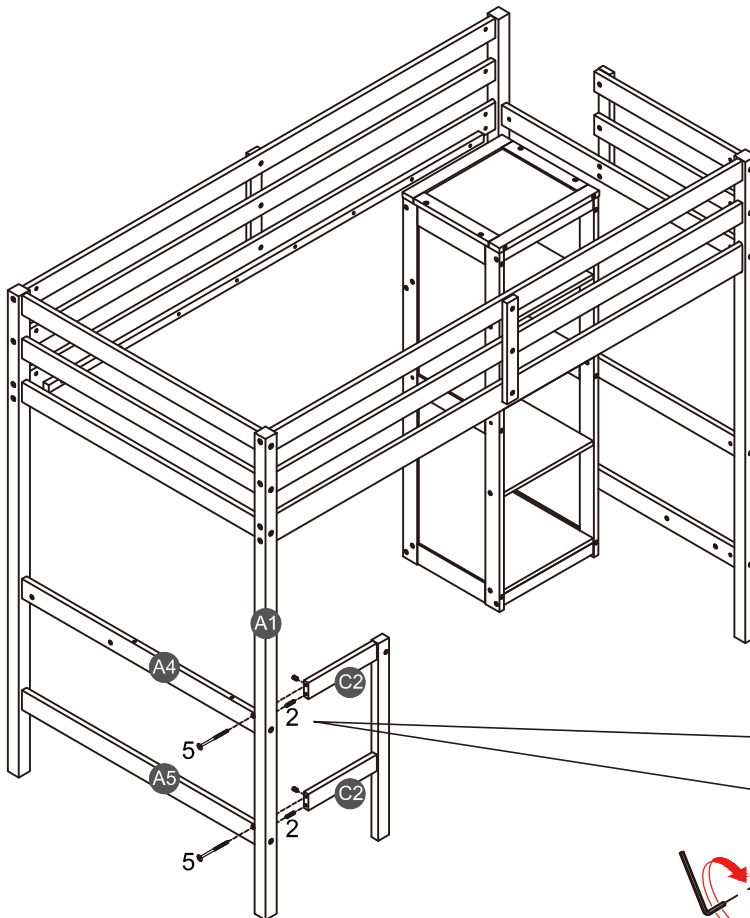
STEP 14:

| | | | | | |
|-------------|---|-------------|---|-------------|---|
| 2 |  | 4 |  | 8 |  |
| 2PCS | | 2PCS | | 2PCS | |






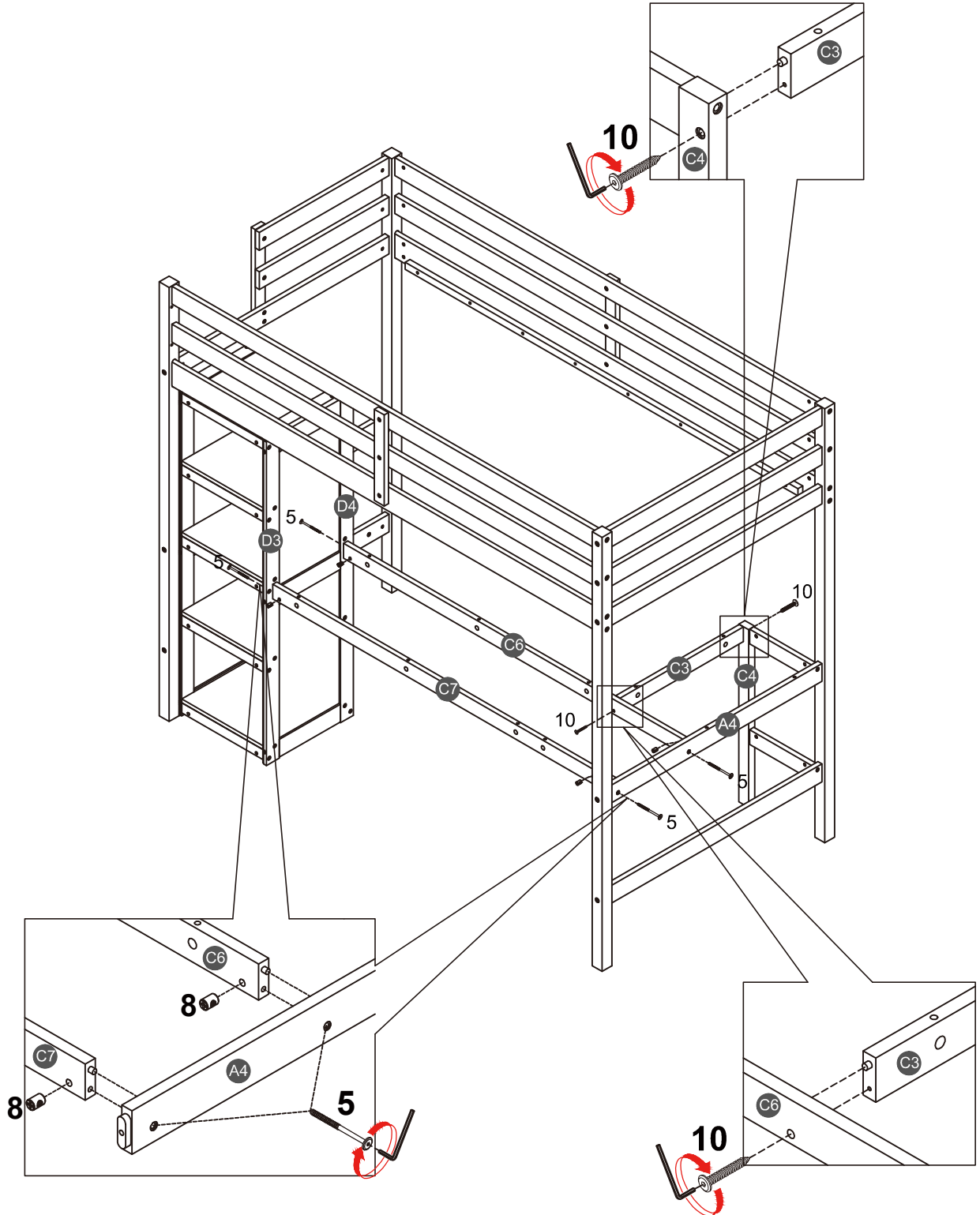
STEP 15:

| | | | |
|-------------|--|-------------|---|
| 2 |  | 5 |  |
| 2PCS | | 2PCS | |
| | | 8 |  |
| | | 2PCS | |



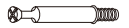
STEP 16:

| | | |
|---|---|--|
| 5  | 8  | 10  |
| 4PCS | 4PCS | 2PCS |

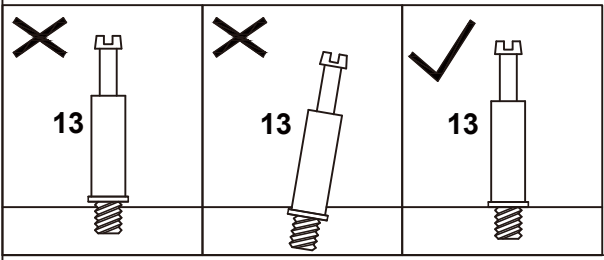
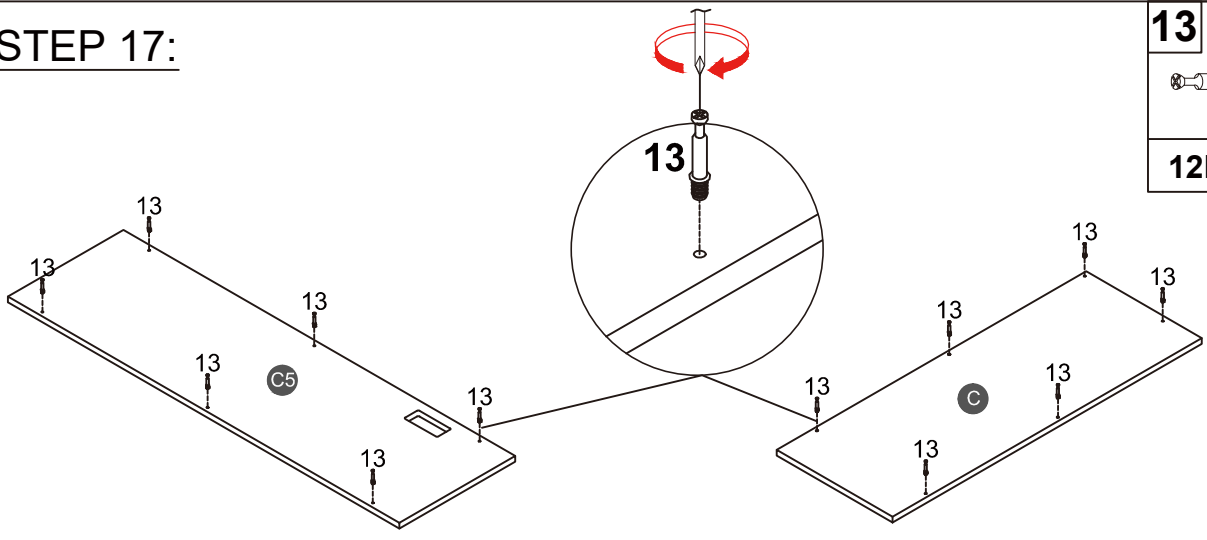


STEP 17:

13



12PCS

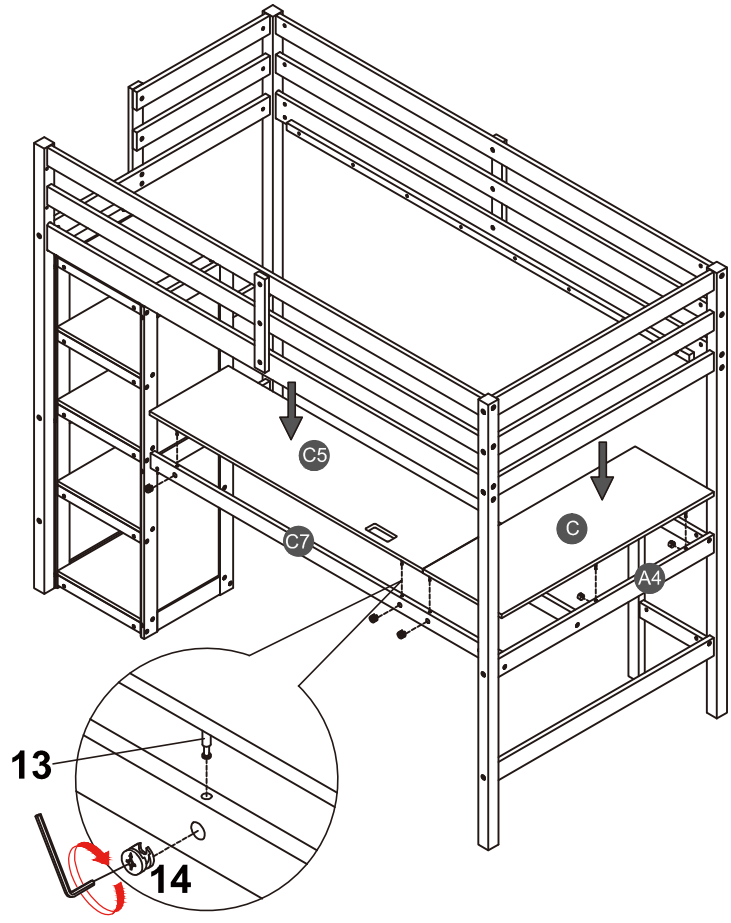
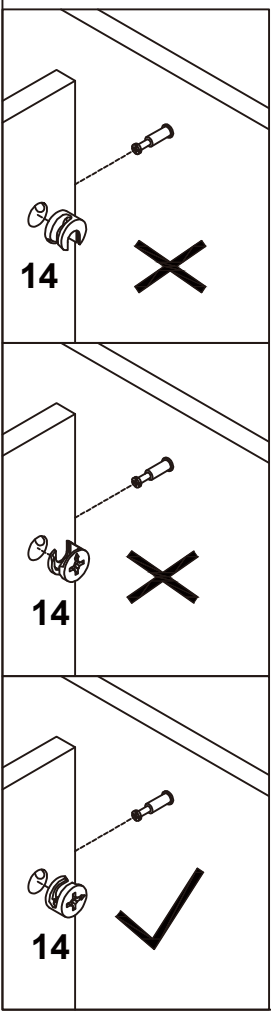


STEP 18:

14






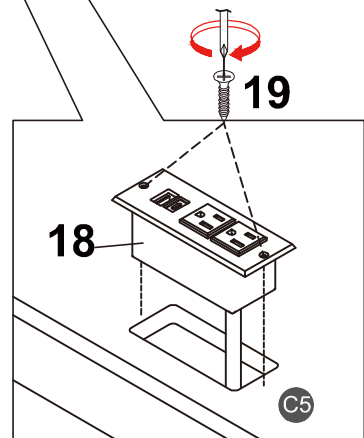
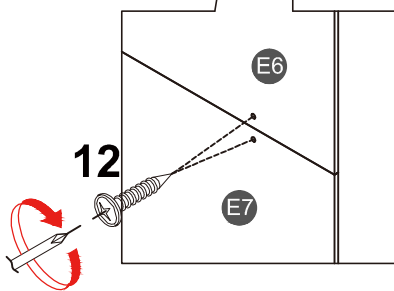
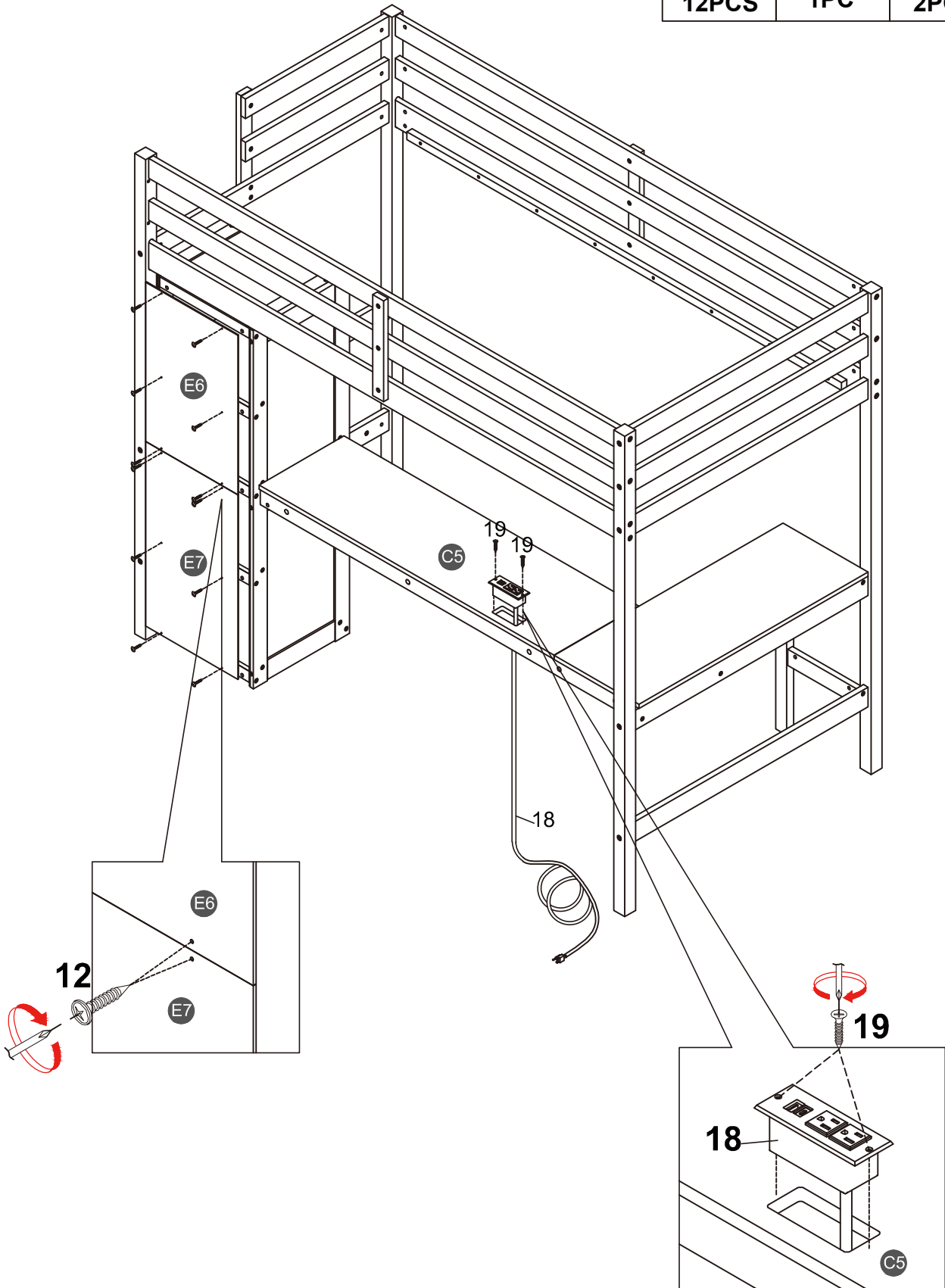
12PCS



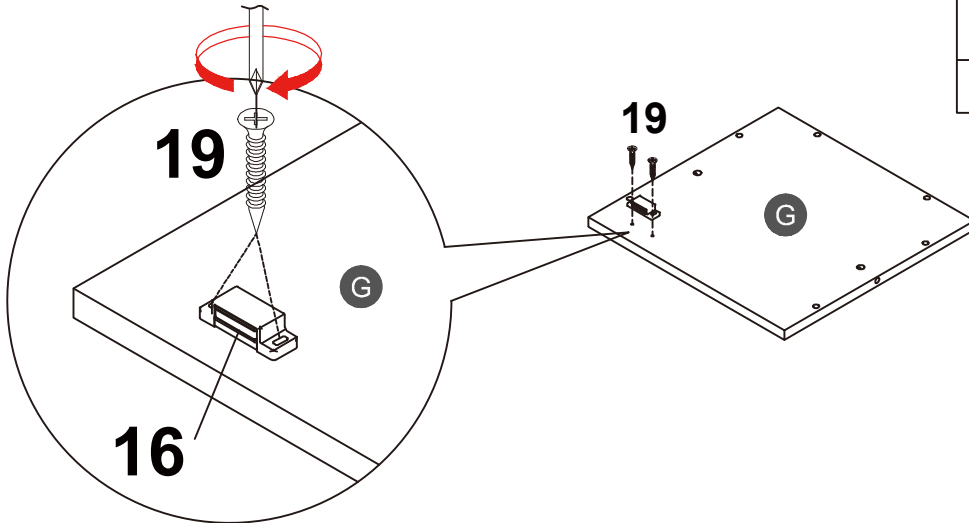
EN:Note: Place Part #14 with the "X" face outward, and make sure that the arrowhead is upward. Then, place hardware #14 into the hole of Part #13 and tighten it clockwise with a hand screwdriver. (Please do NOT use an electric screwdriver.)


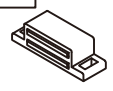
STEP 19:

| | | |
|--|--|--|
| 12  | 18  | 19  |
| 12PCS | 1PC | 2PCS |

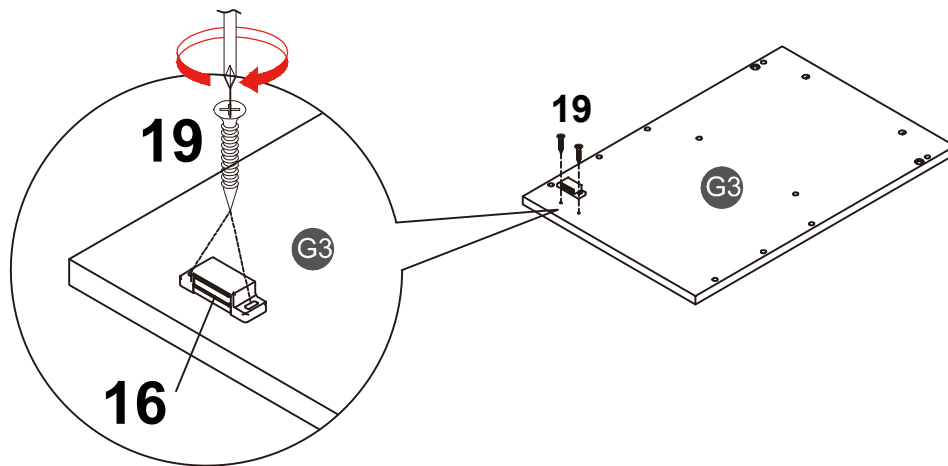



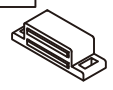
STEP 20:



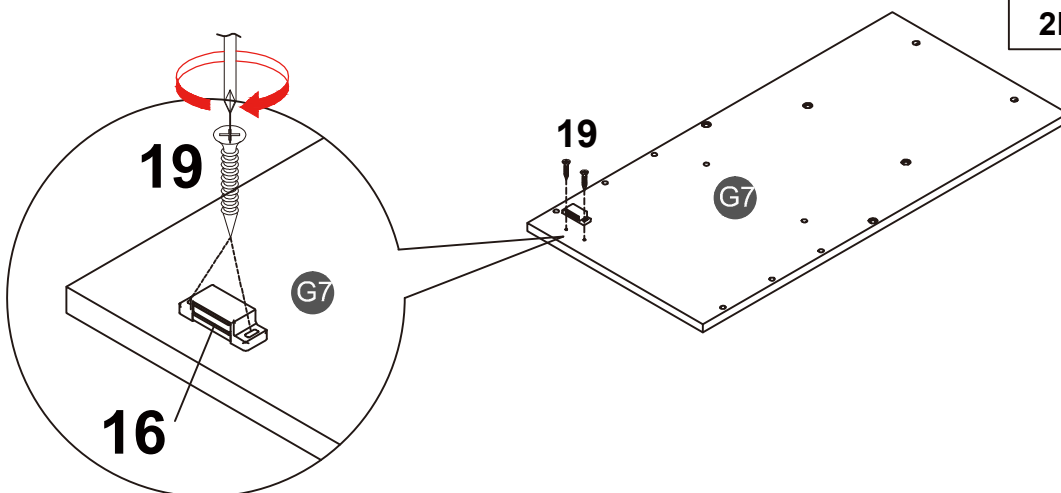
| | |
|--|--|
| 19  | 16  |
| 2PCS | 1PC |


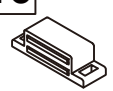
STEP 21:



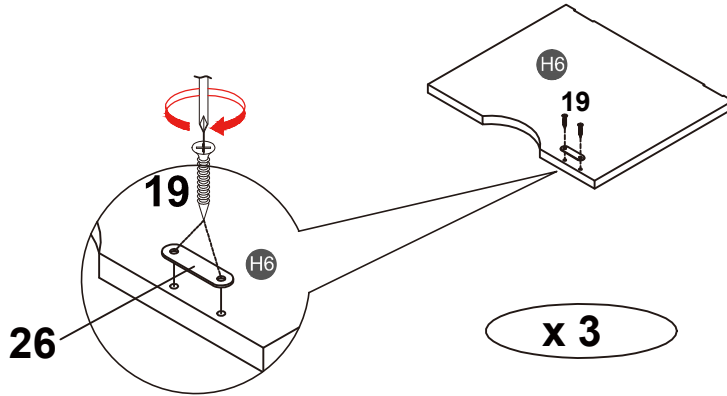
| | |
|--|--|
| 19  | 16  |
| 2PCS | 1PC |



STEP 22:



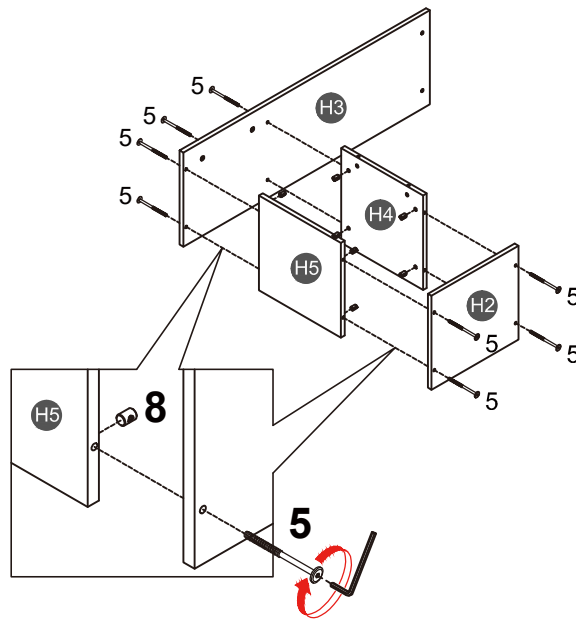
| | |
|--|--|
| 19  | 16  |
| 2PCS | 1PC |



STEP 23:



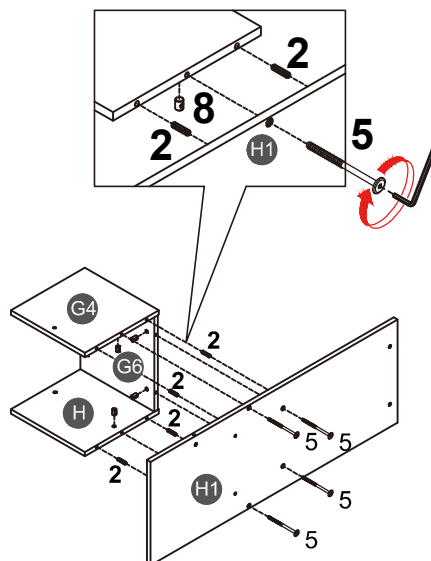
| | | | |
|-----------|---|-----------|---|
| 19 |  | 26 |  |
| | 6PCS | | 3PCS |




STEP 24:



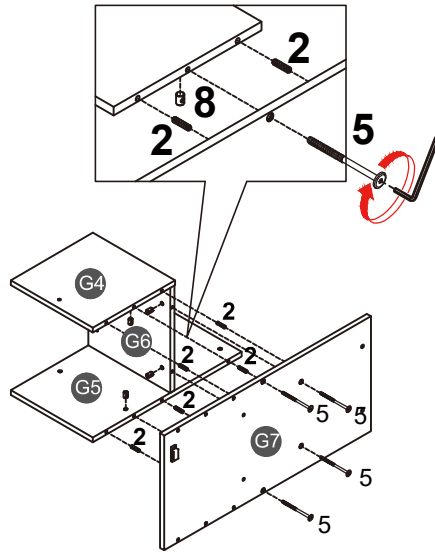
| | | | |
|----------|---|----------|---|
| 5 |  | 8 |  |
| | 8PCS | | 8PCS |




STEP 25:



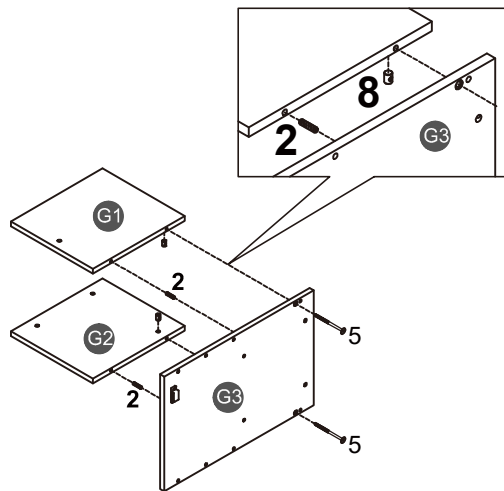
| | | | | | |
|----------|---|----------|---|----------|---|
| 2 |  | 5 |  | 8 |  |
| | 4PCS | | 4PCS | | 4PCS |




STEP 26:



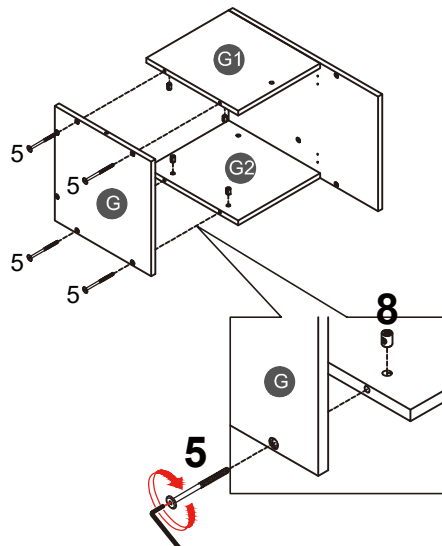
| | | |
|---|---|---|
| 2  | 5  | 8  |
| 5PCS | 4PCS | 4PCS |



STEP 27:






| | |
|---|---|
| 2  | 5  |
| 2PCS | 2PCS |
| | 8  |
| | 2PCS |

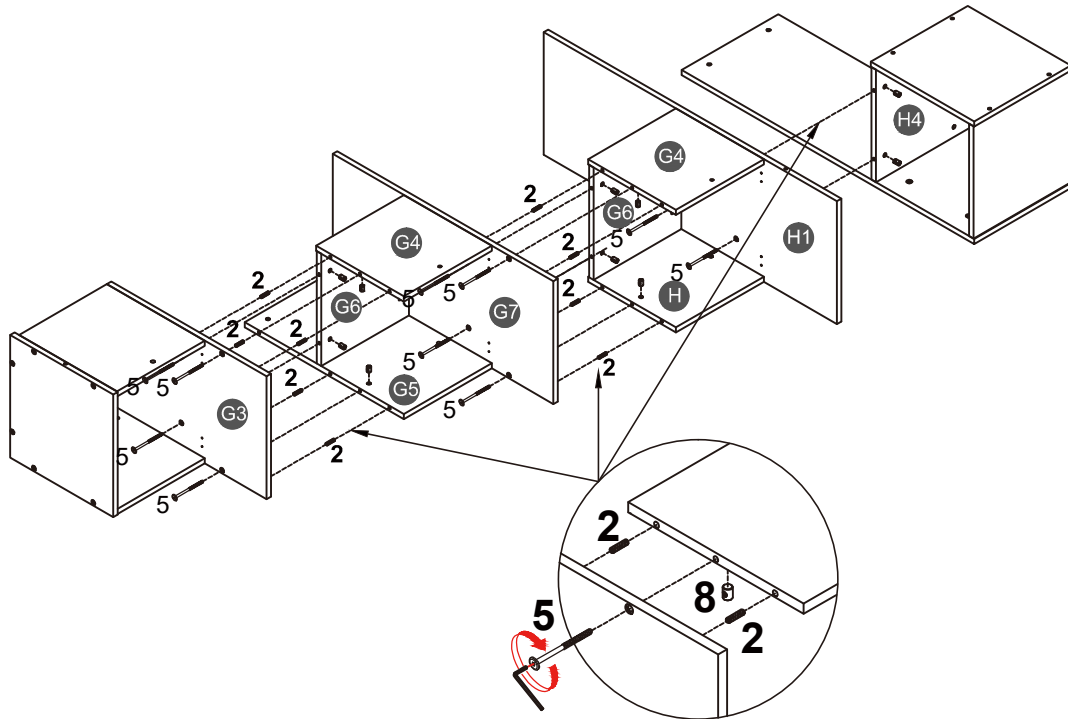
STEP 28:



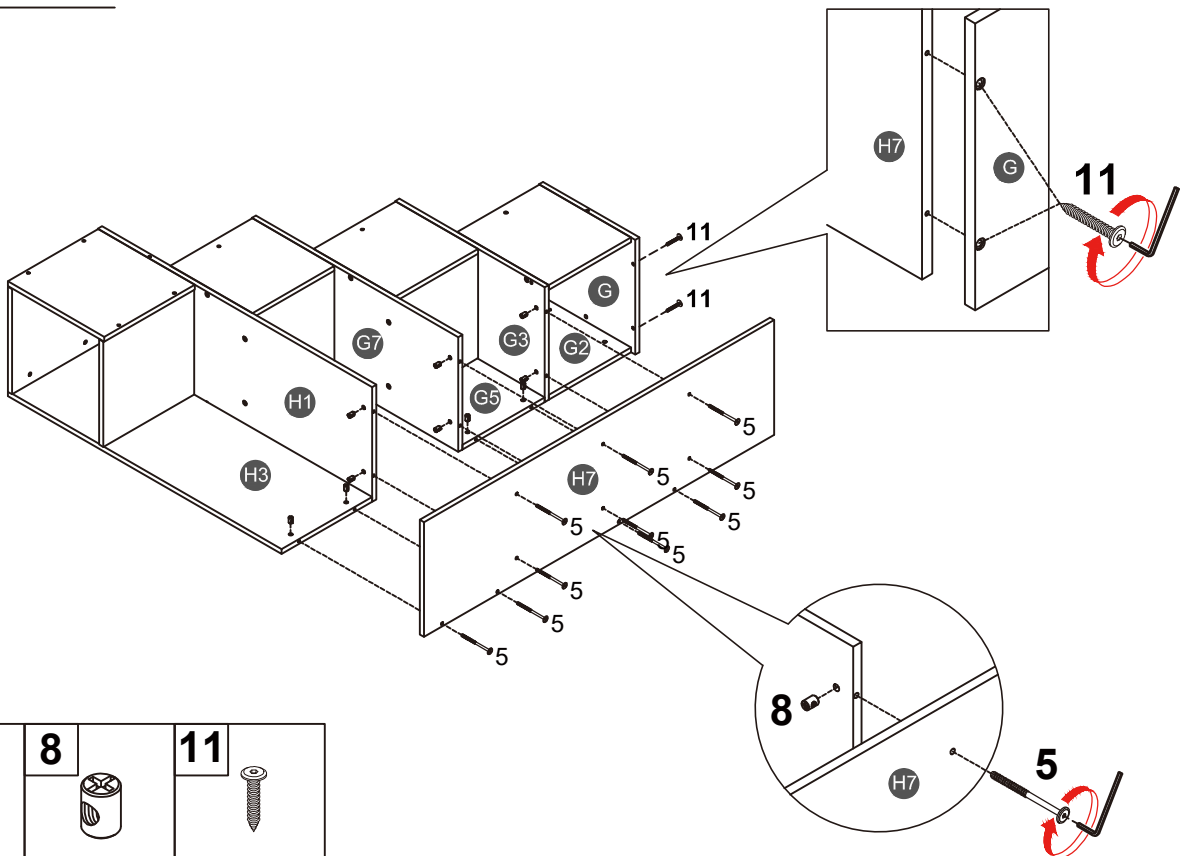
| | |
|---|---|
| 5  | 8  |
| 4PCS | 4PCS |




STEP 29:

| | | | | | |
|-------------|---|--------------|---|--------------|---|
| 2 |  | 5 |  | 8 |  |
| 9PCS | | 10PCS | | 10PCS | |

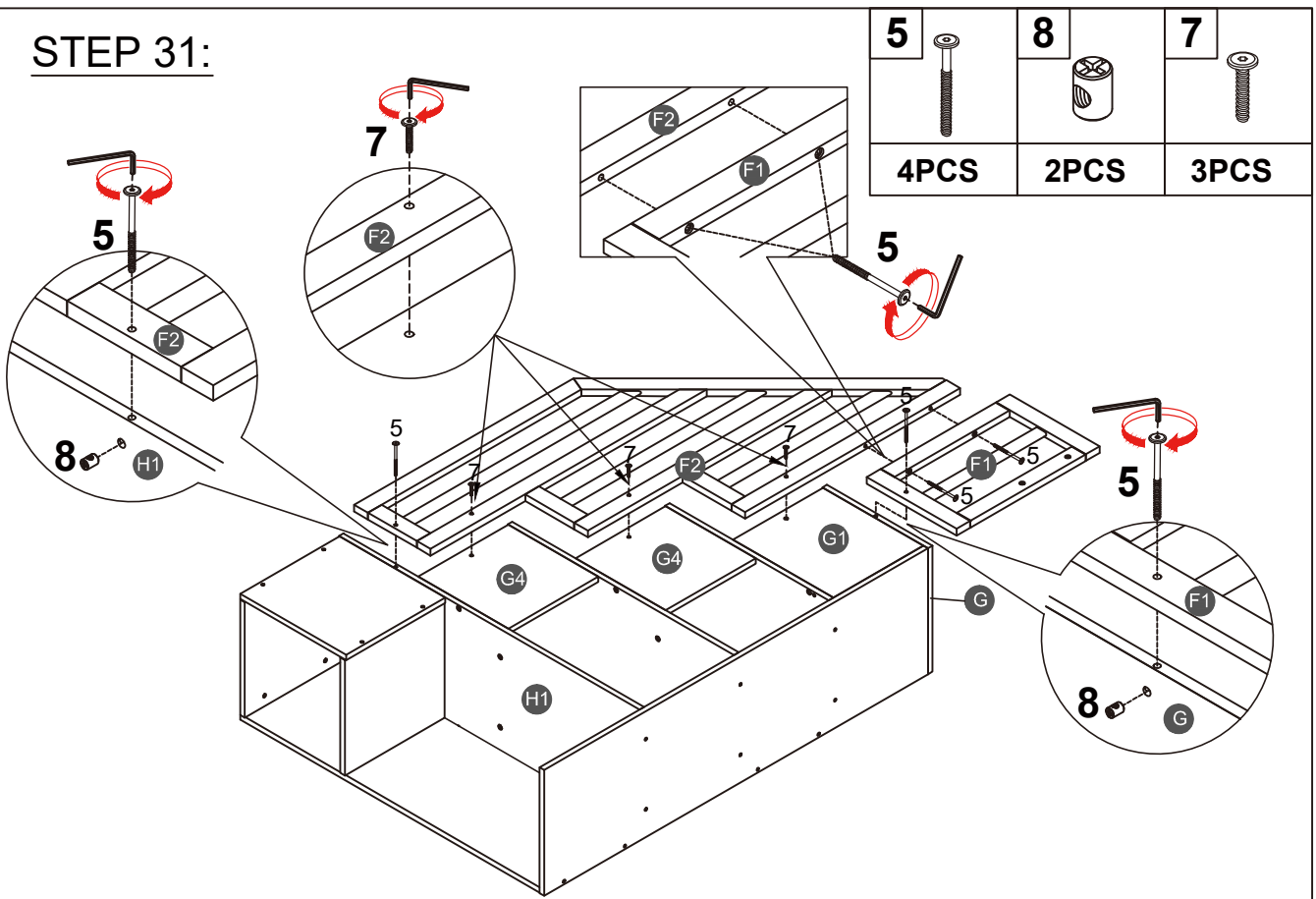


STEP 30:

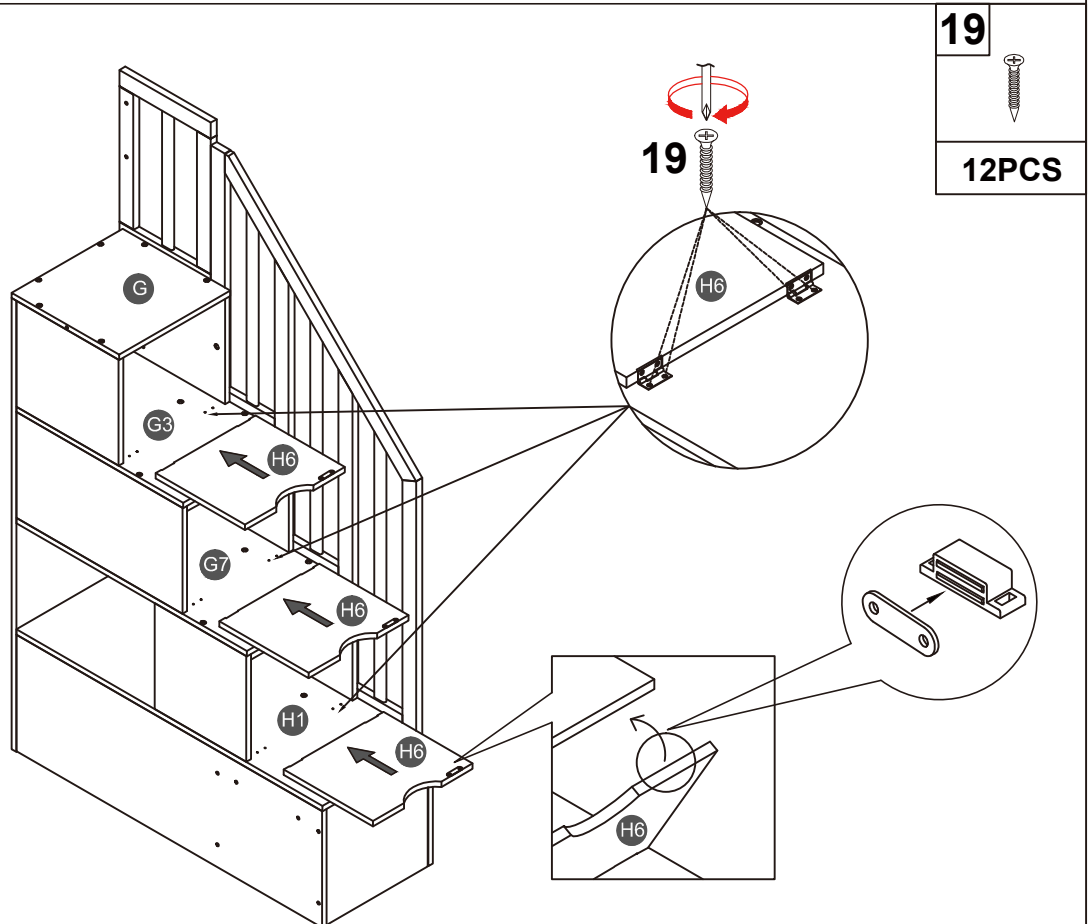


| | | | | | |
|--------------|---|--------------|---|-------------|---|
| 5 |  | 8 |  | 11 |  |
| 10PCS | | 10PCS | | 2PCS | |




STEP 31:

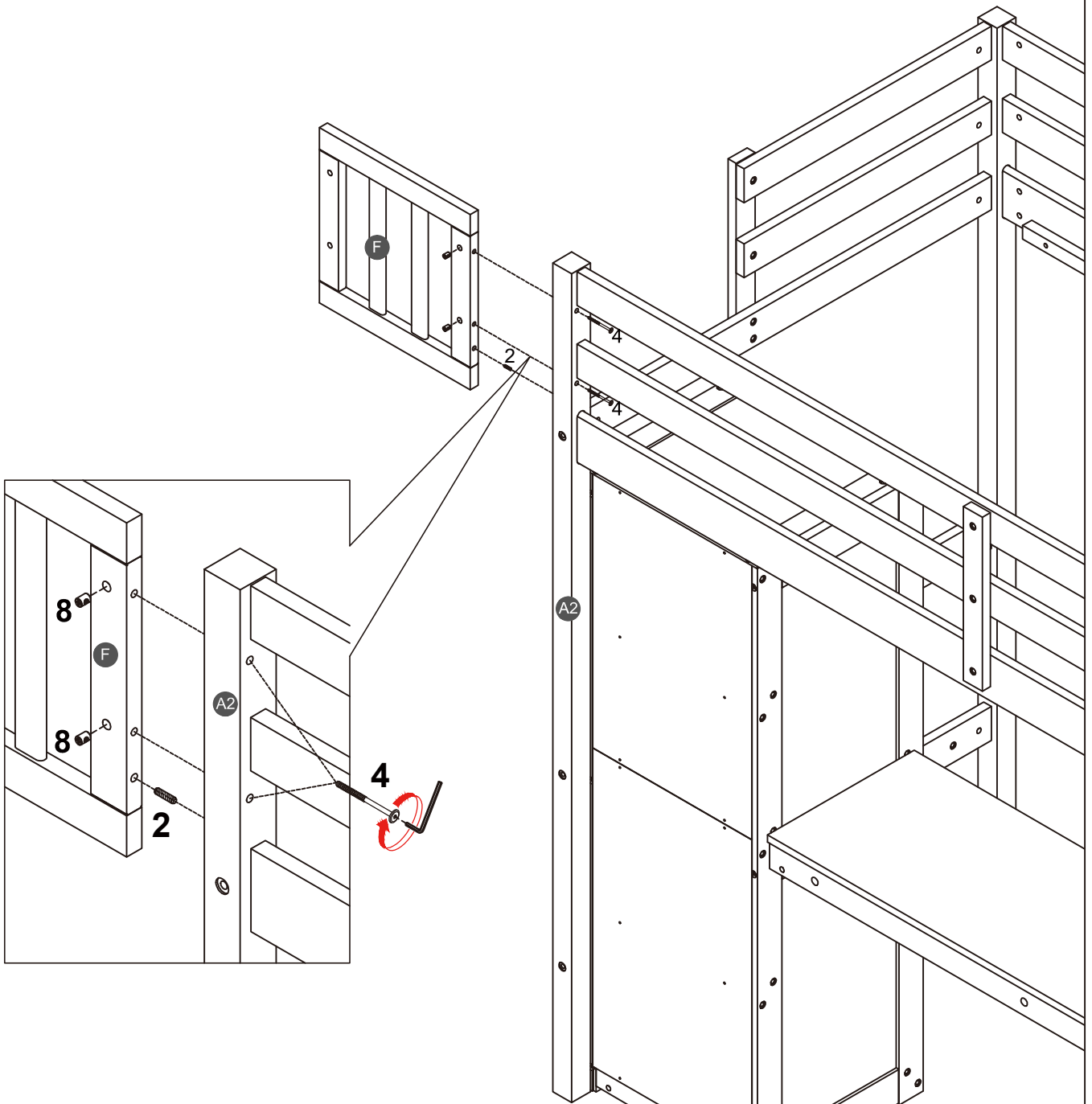


STEP 32:






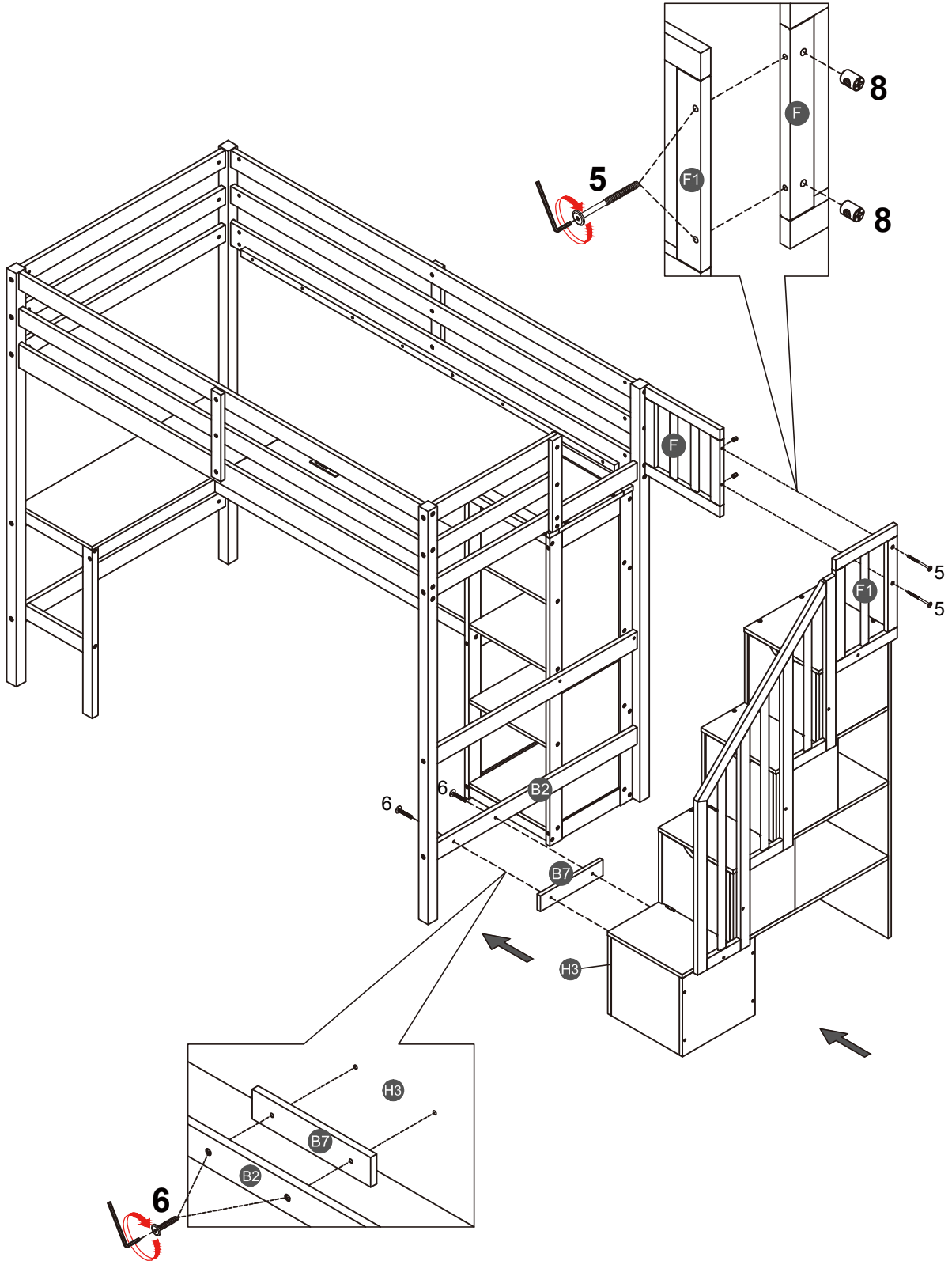
STEP 33:

| | | |
|---|---|---|
| 2  | 4  | 8  |
| 1PC | 2PCS | 2PCS |

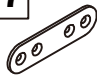



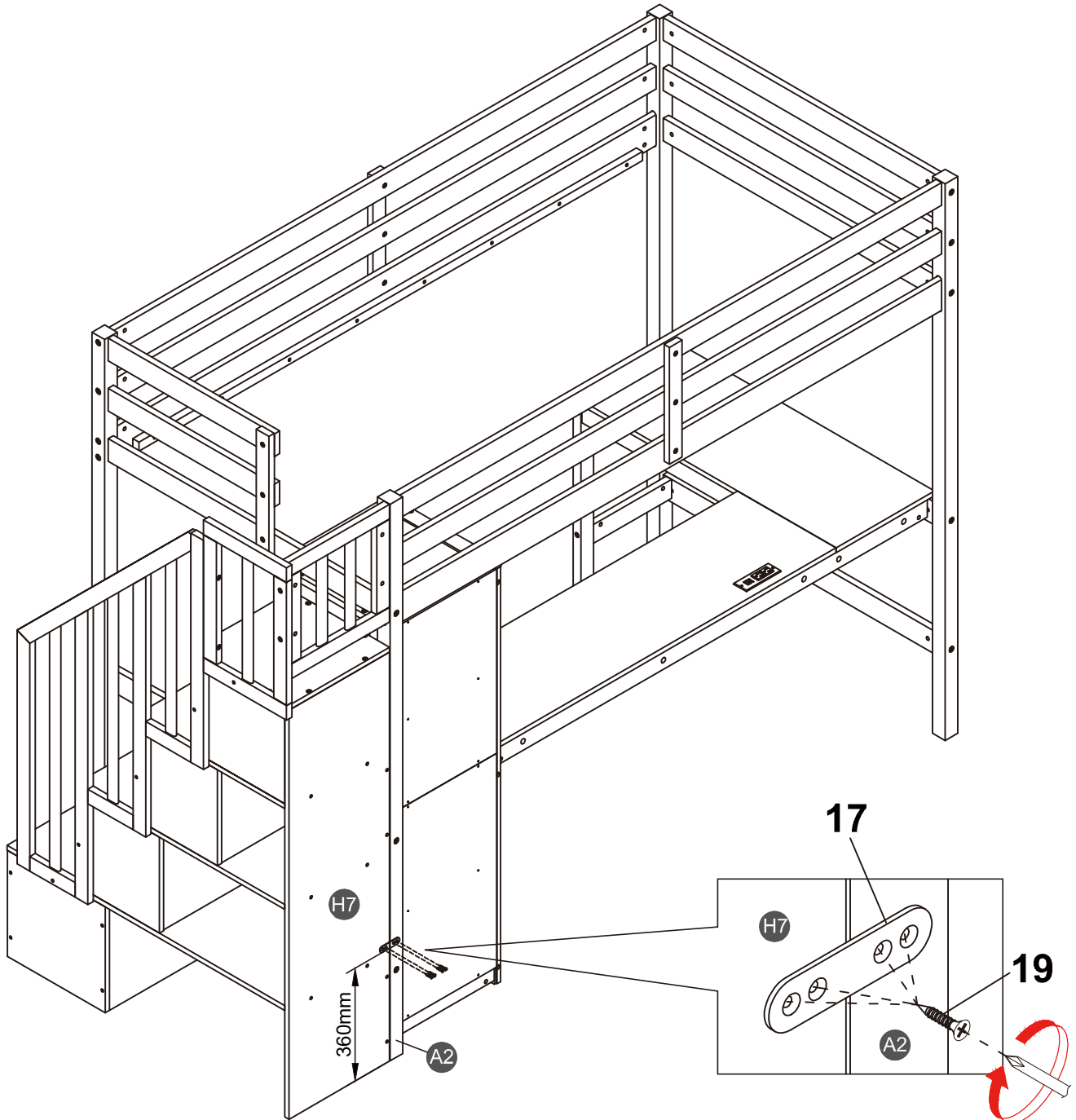
STEP 34:

| | | |
|---|---|---|
| 5  | 6  | 8  |
| 2PCS | 2PCS | 2PCS |



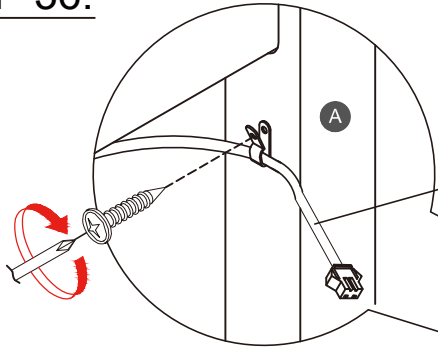
STEP 35:

| | |
|--|--|
| 17  | 19  |
| 1PC | 4PCS |

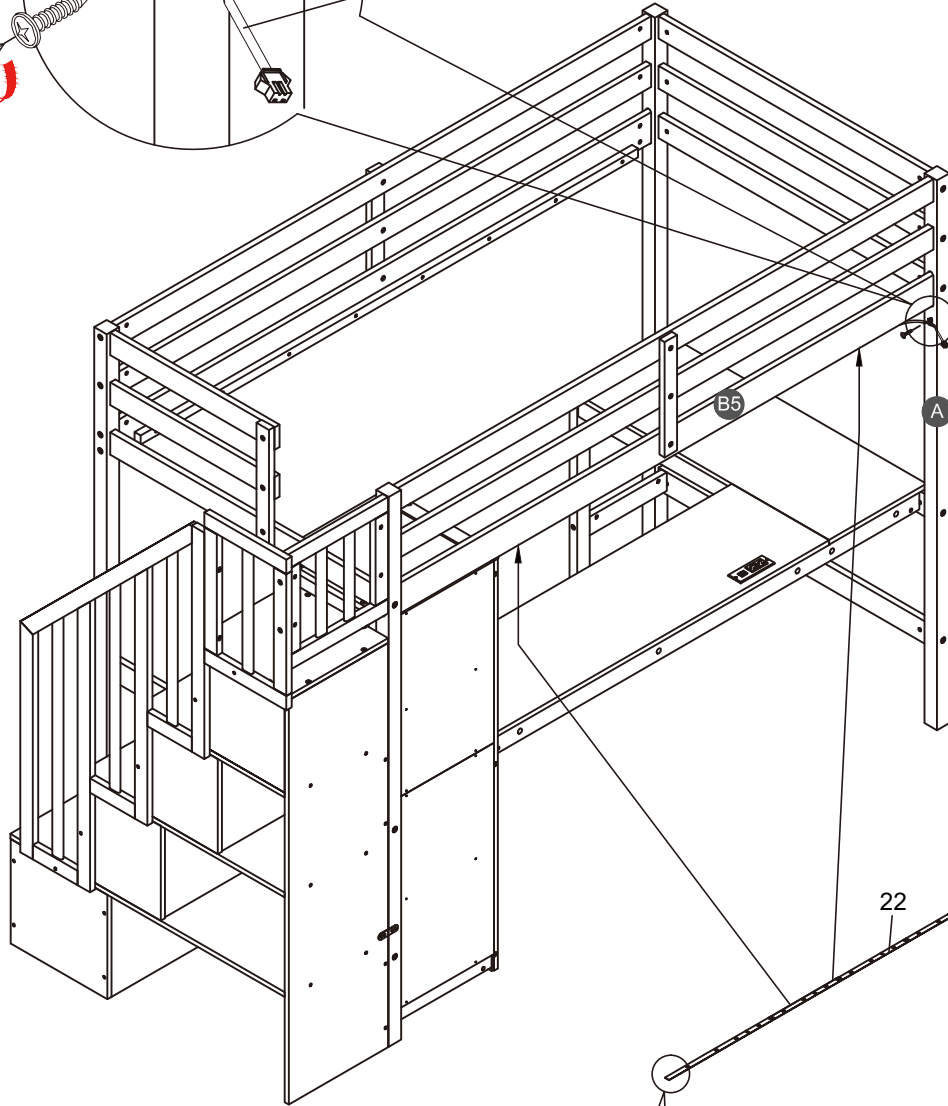


STEP 36:

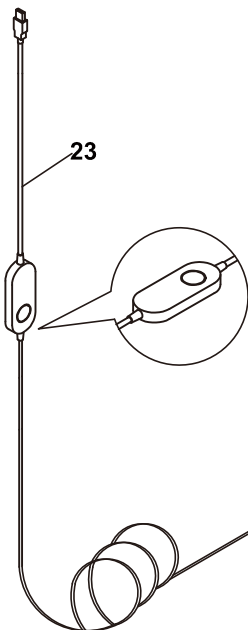
Secure the LED LIGHT.



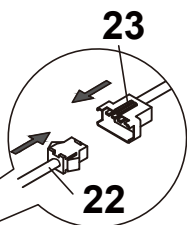
22



22



23




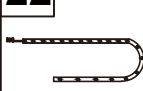



23

22



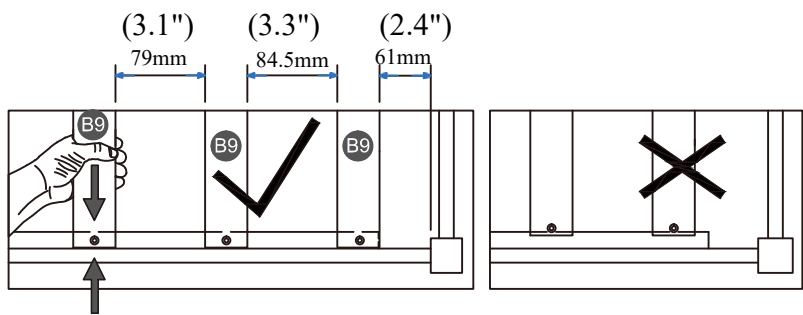
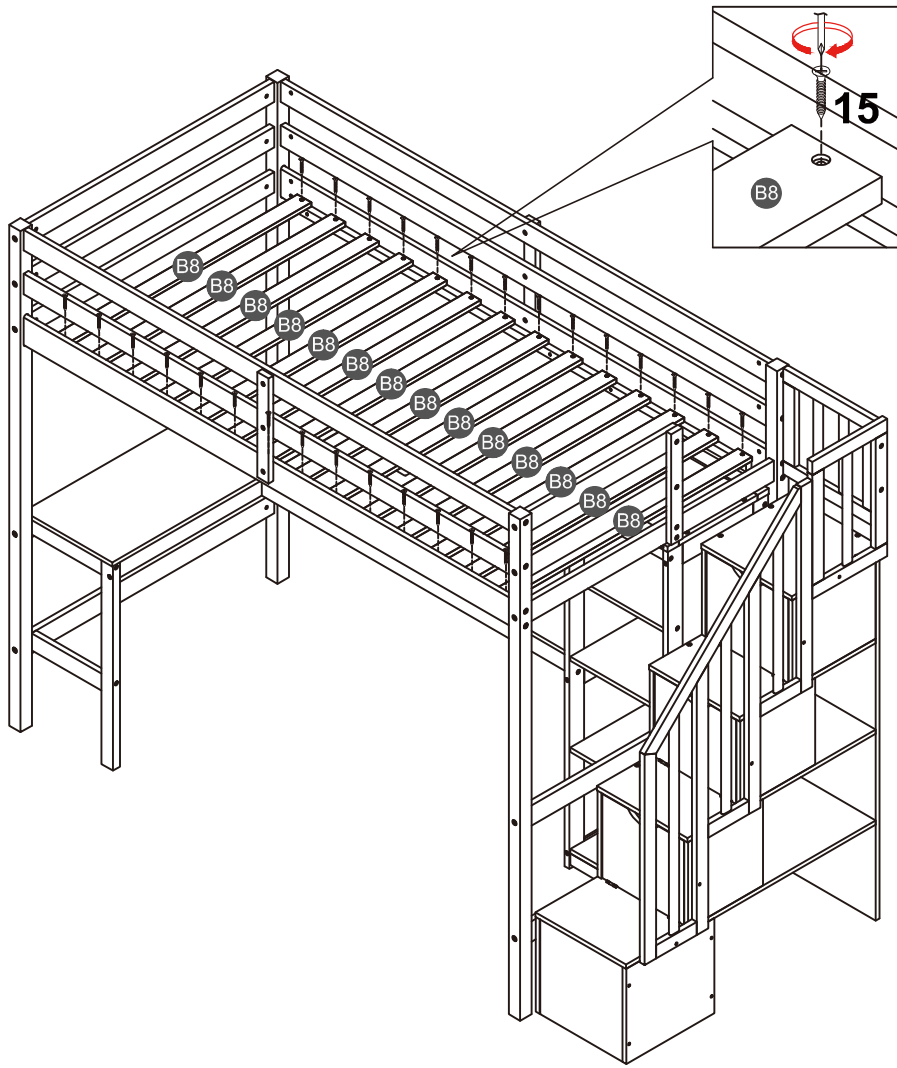
22

Peel off the tape.

| | | | | |
|--|--|---|--|--|
| 12  | 22  | 23  | 24  | 25  |
| 1PC | 1PC | 1PC | 1PC | 1PC |

STEP 37:

15
28PCS



NOTE: Please make sure the bed slats are close to the side rail before locking the screws to avoid breakage. This step is required for both the left and right sides. Moreover, please do not lock the screws of the bed slats at the outermost edge to avoid damaging.

⚠ WARNING

- **INGESTION HAZARD:** This product contains a button cell or coin battery.
- **DEATH** or serious injury can occur if ingested.
- A swallowed button cell or coin battery can cause **Internal Chemical Burns** in as little as **2 hours**.
- **KEEP** new and used batteries **OUT OF REACH of CHILDREN**
- **Seek immediate medical attention** if a battery is suspected to be swallowed or inserted inside any part of the body.



- 1.** Remove and immediately recycle or dispose of used batteries according to local regulations and keep away from children. Do NOT dispose of batteries in household trash or incinerate.
- 2.** Even used batteries may cause severe injury or death.
- 3.** Call a local poison control center for treatment information.
- 4.** CR2025
- 5.** 3V
- 6.** Non-rechargeable batteries are not to be recharged.
- 7.** Do not force discharge, recharge, disassemble, heat above (manufacturer's specified temperature rating) or incinerate. Doing so may result in injury due to venting, leakage or explosion resulting in chemical burns.
- 8.** **INGESTION HAZARD:** This product contains a button cell or coin battery.

AFTER-SALE SERVICE

If you have any suggestions for our products or find that the products have quality problems, please contact us first, our after-sales team will reply you within 24 hours, and we will do our best to give you solutions until you are satisfied.

Guaranteed Customer Service

Your shopping experience is very important to us!
Feel unsatisfied? **Contact us!**
Have any questions? **Contact us!**

Wanna share your experience with our products?
Share your pictures with us.

Any suggestions? **Contact us!**
We gotcha back!