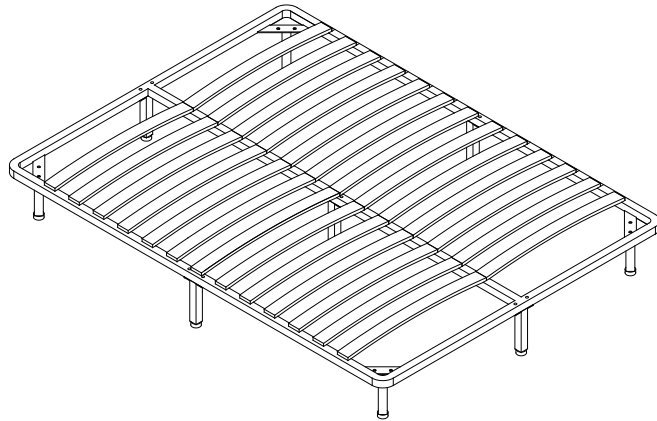


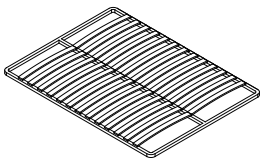
A

Product assembly instruction

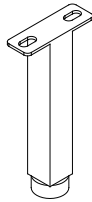
Product introduction:



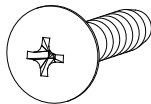
Components:



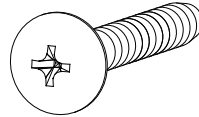
A: 1 piece



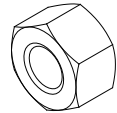
B: 9 pieces



C: 8 pieces



D: 10 pieces



E: 18 pieces

Assemble steps:

