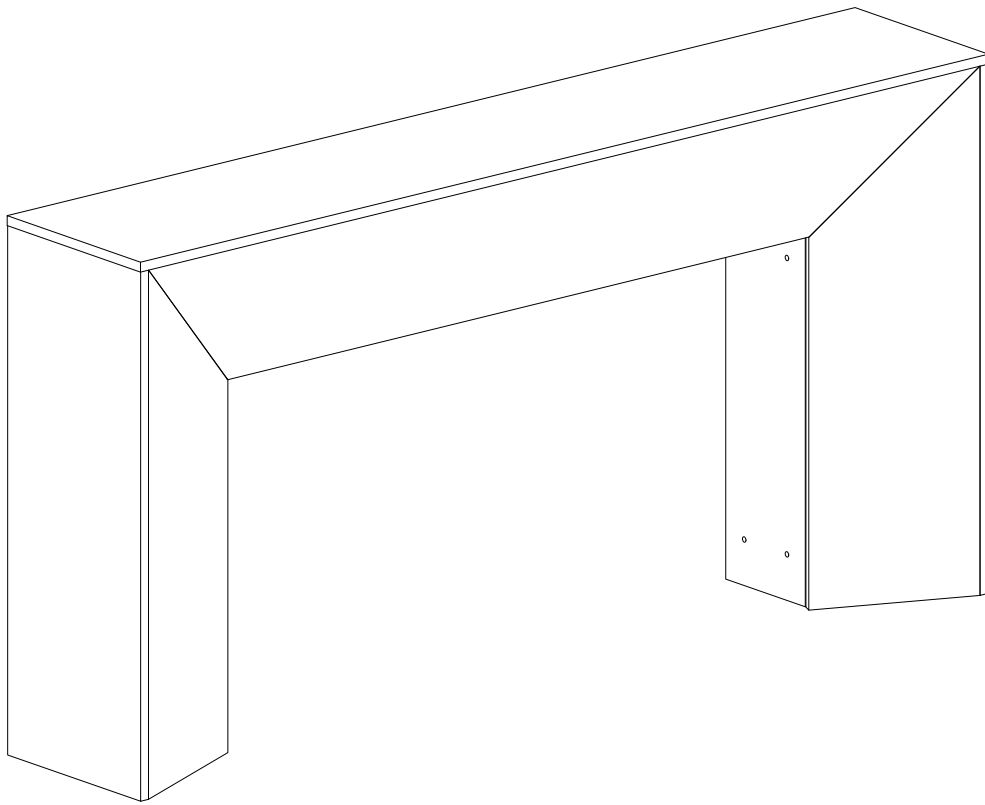


# Assembly Instructions

## Console Table



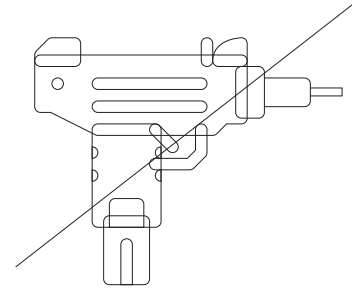
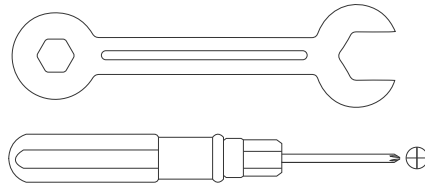
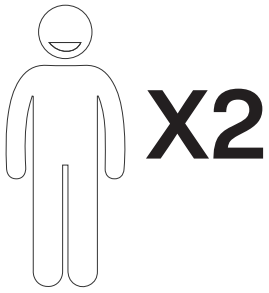
# Contact Us

## We're here to help you.

Your satisfaction is our top priority. If you encounter any issues with this product, such as missing or damaged parts, we're here to help. Please retain the original packaging and take photos of the packaging and the product, then contact us as soon as possible.

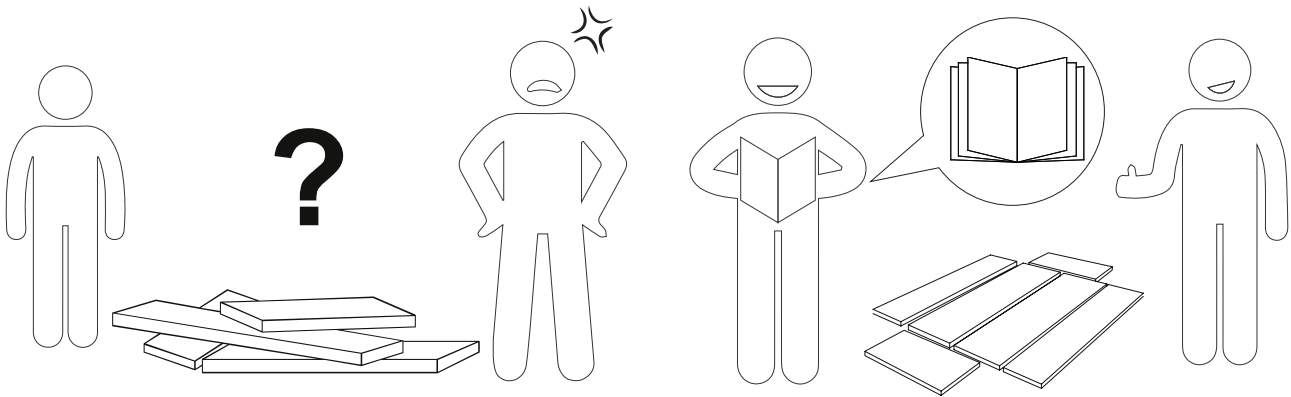
### **Warm Tips**

1. Carefully read these instructions and keep them for future reference.
2. Check the parts list and confirm everything's there before starting assembly.
3. When assembling, put all parts on a soft, smooth surface like a carpet to avoid scratches.
4. Don't fully tighten screws until all parts are confirmed in place to avoid misalignment.



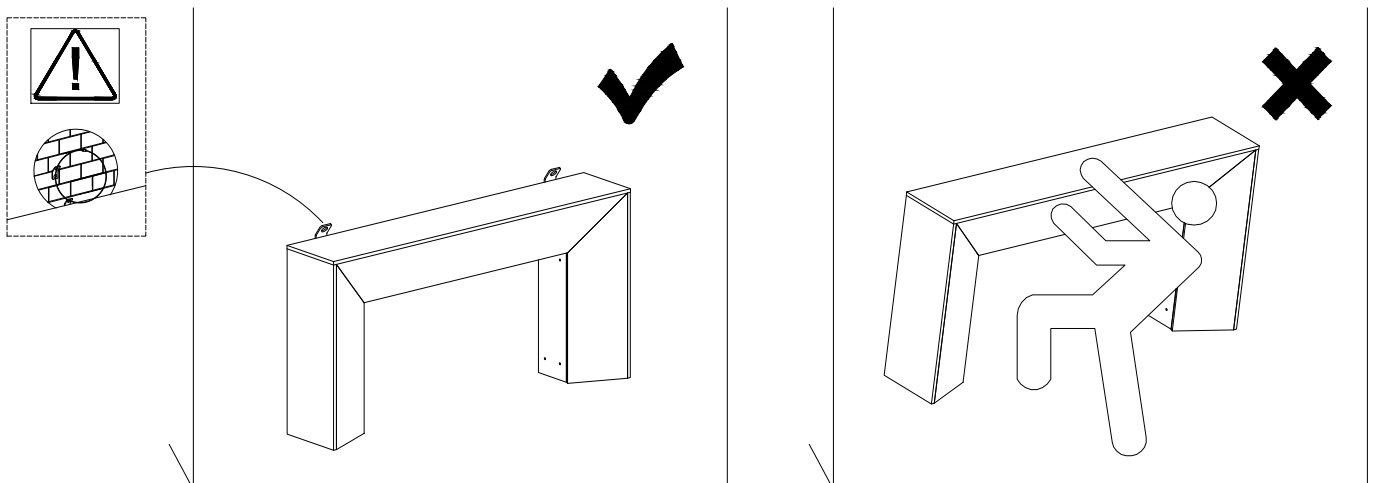
We recommend using hand tools for assembly.

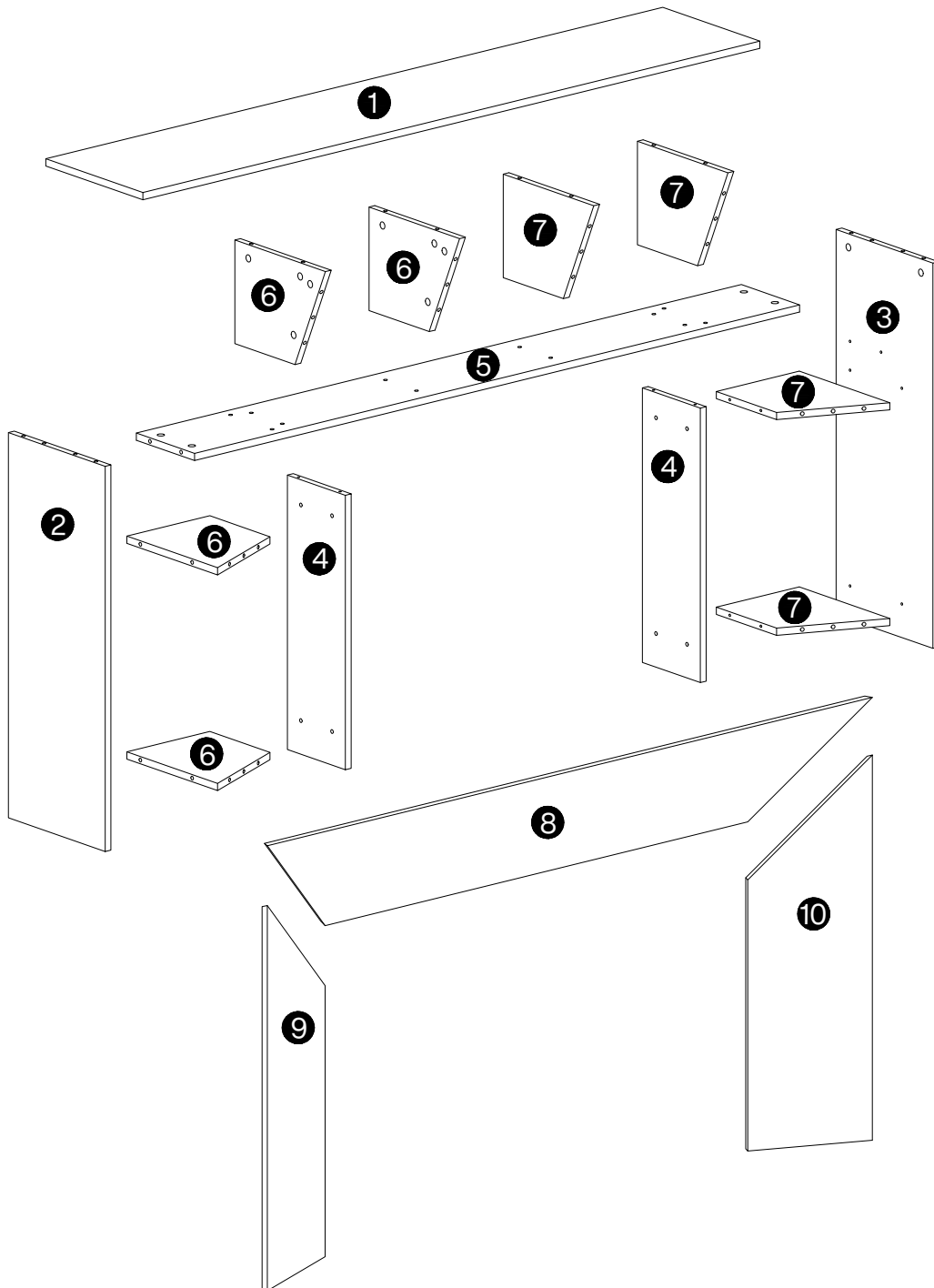
If an electric screwdriver is used, reduce power and torque to avoid damage to the product.



## Install the Anti-Tip Straps

Using the anti-tip straps can reduce the risk of tipping over, but can not eliminate it.

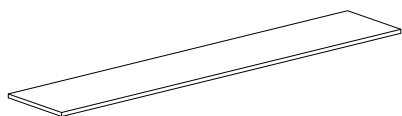




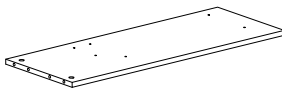
**⚠ Caution**

Make sure all parts are included. Most board parts are labeled or stamped on the raw edge. Contact us for a free replacement if you encounter any damaged or missing parts.

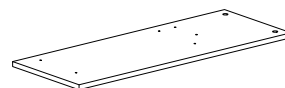
# Parts List



① 1pc



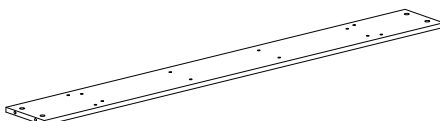
② 1pc



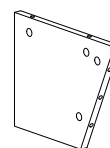
③ 1 pc



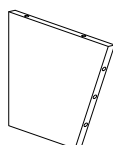
④ 2 pcs



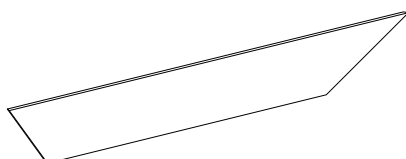
⑤ 1pc



⑥ 4 pcs



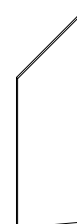
⑦ 4 pcs



⑧ 1pc

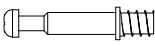


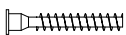
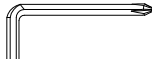
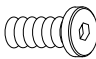





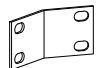


⑨ 1pc

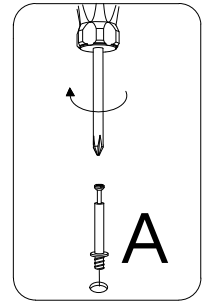
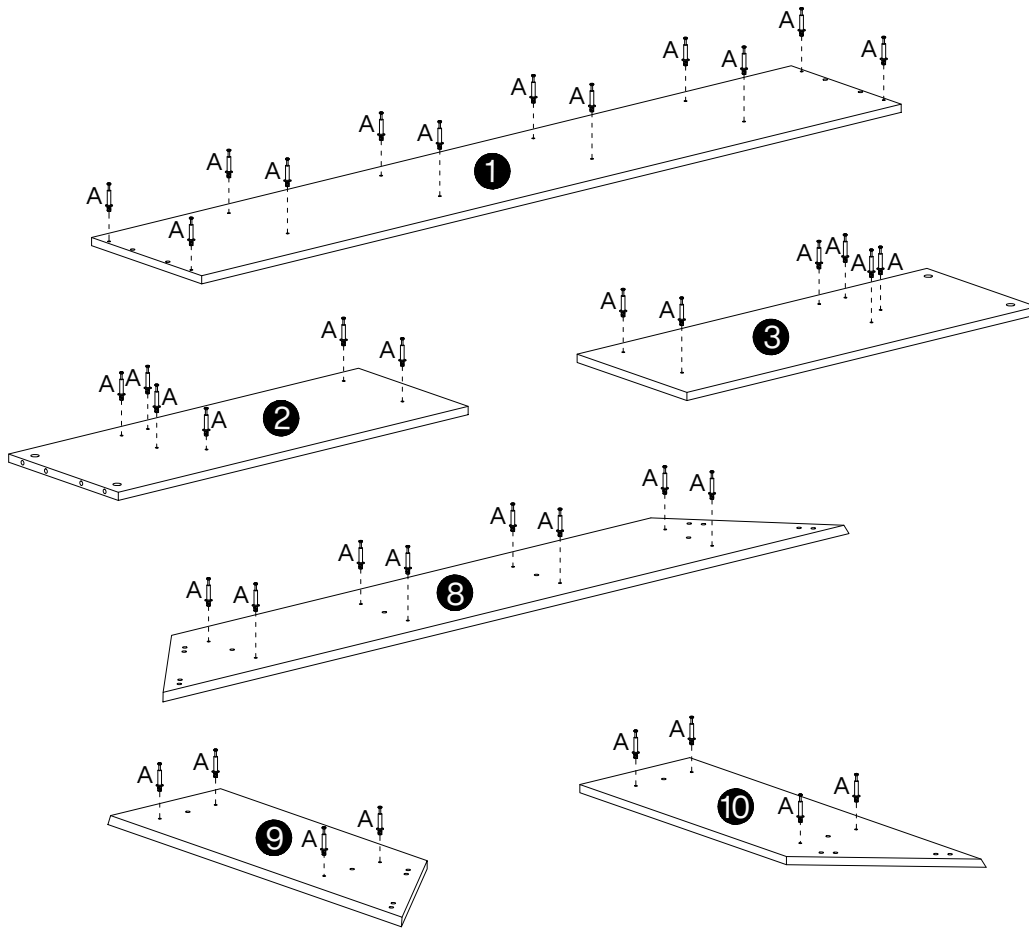


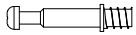
⑩ 1pc

# Hardware List

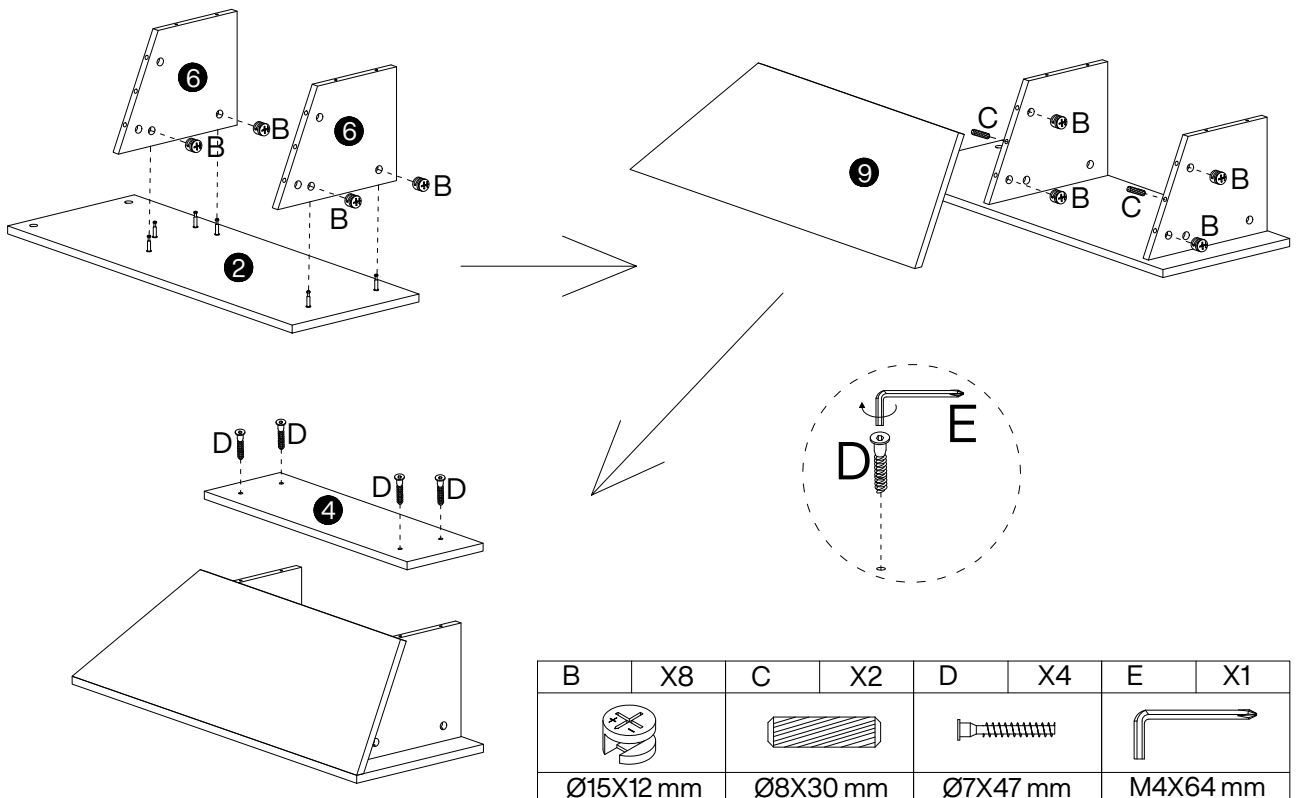
A	X40+1	B	X40+1	C	X12+1	D	X20+1	E	X1	F	X16+1
											
Ø6X35 mm		Ø15X12 mm		Ø8X30 mm		Ø7X47 mm		M4X64 mm		M6X12 mm	
G	X2+1	H	X2+1	I	X2	J	X2	K	X4	L	X4
											
3.5X14 mm		4X35 mm		Ø8X40 mm		L250 mm		26X13 mm		80X40 mm	





**1**



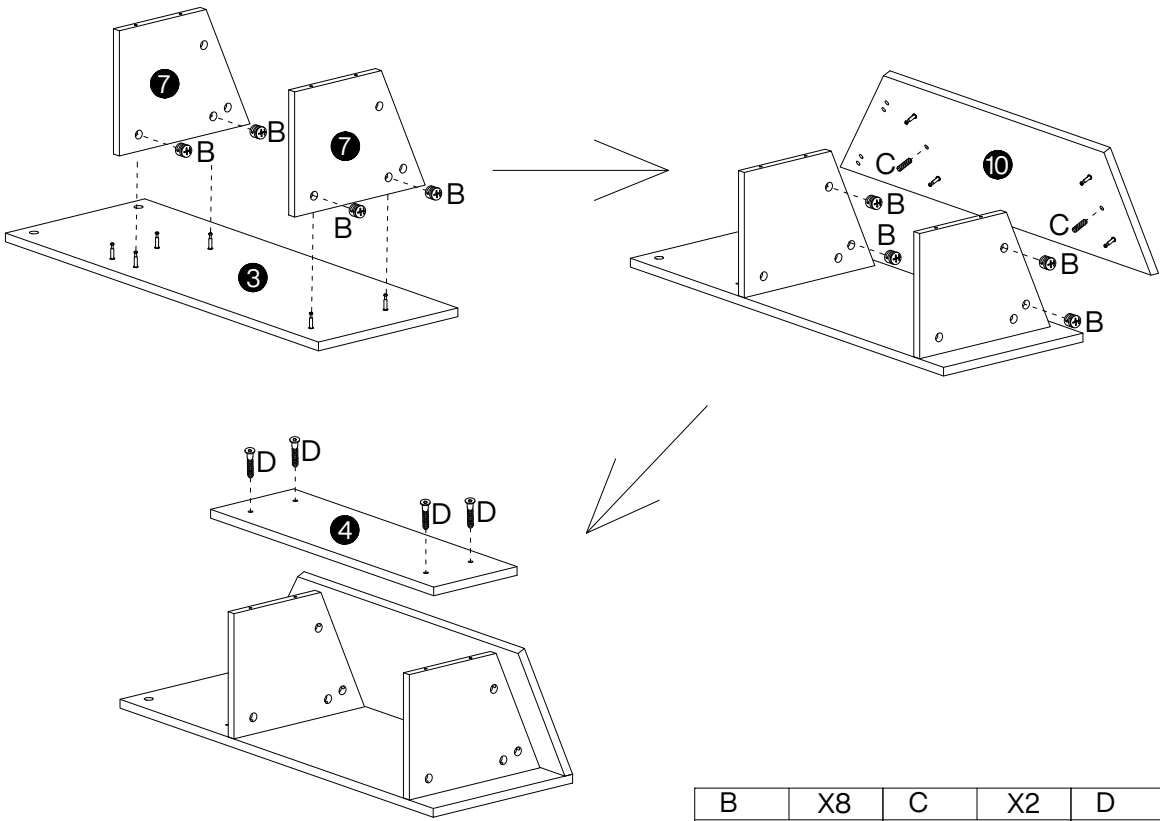
A	X40
	
Ø6X35 mm	

**2**



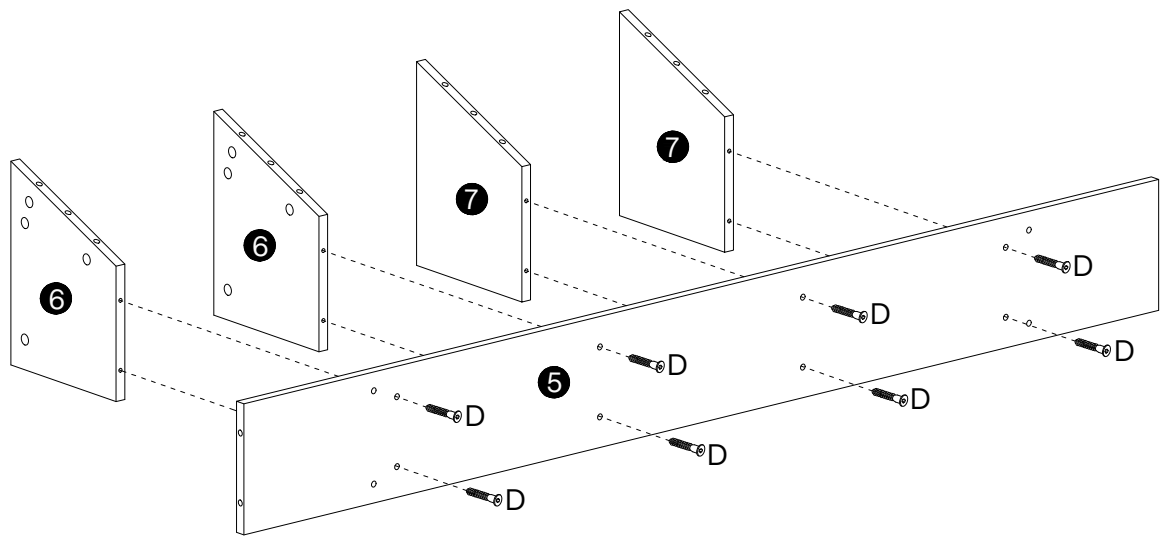
B	X8	C	X2	D	X4	E	X1
							
Ø15X12 mm		Ø8X30 mm		Ø7X47 mm		M4X64 mm	

# 3



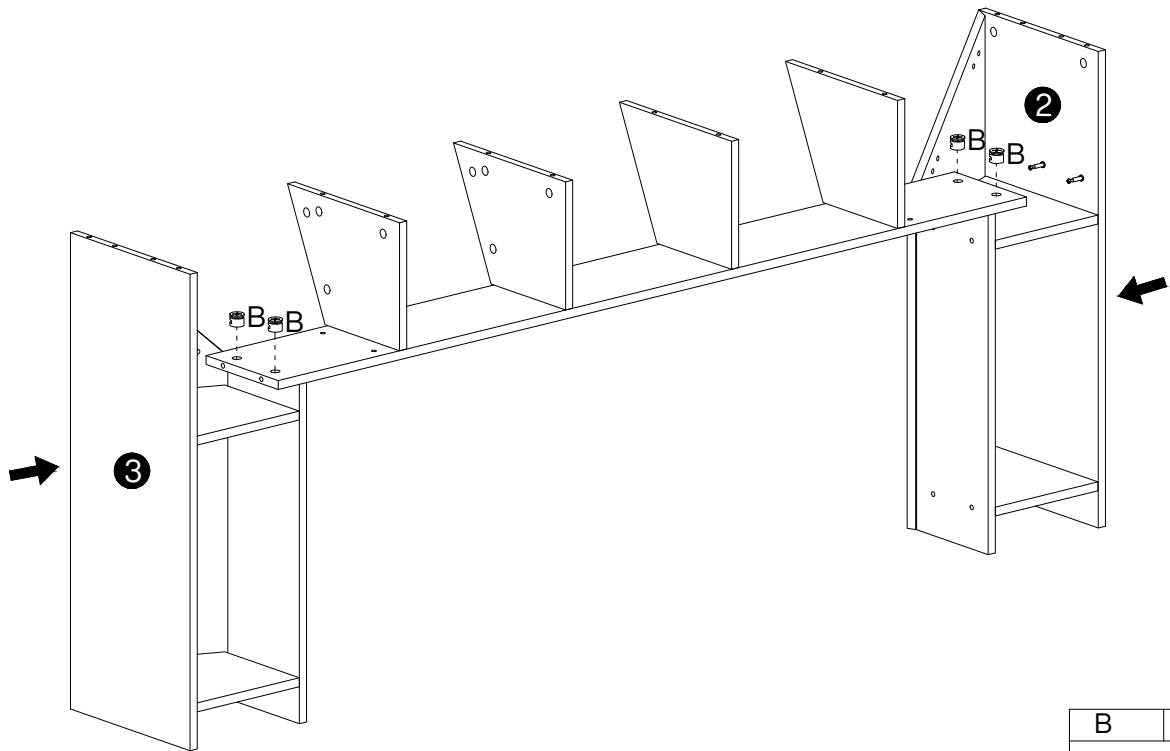
B	X8	C	X2	D	X4
Ø15X12 mm		Ø8X30 mm		Ø7X47 mm	

# 4



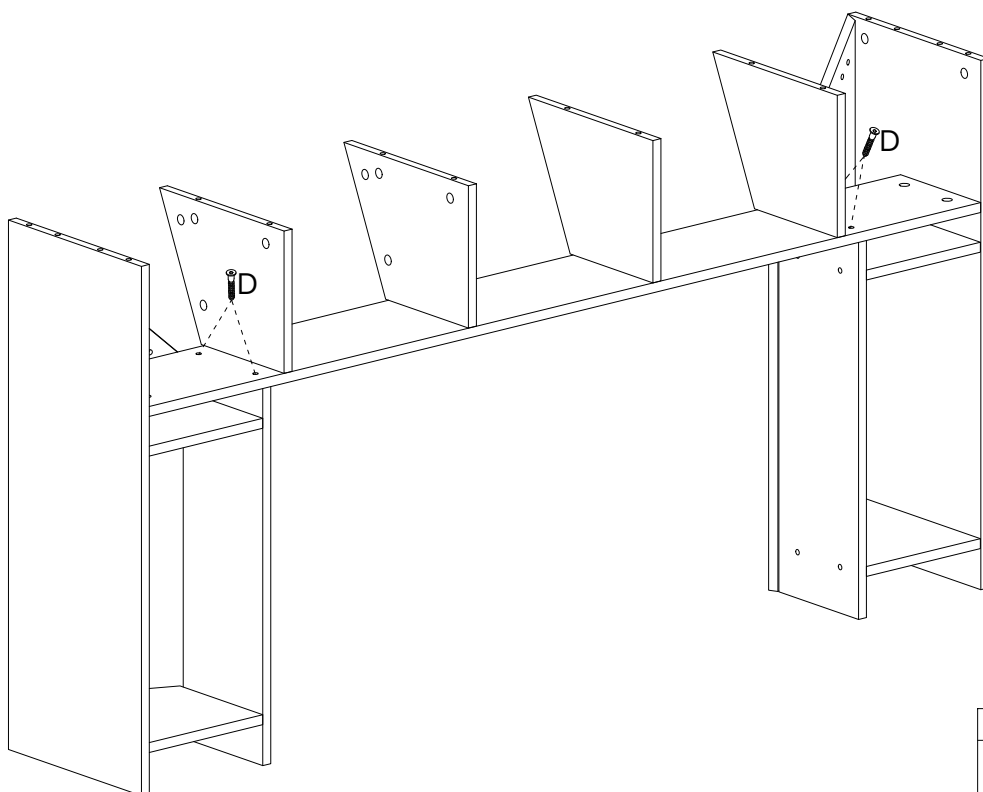
D	X8
Ø7X47 mm	

5



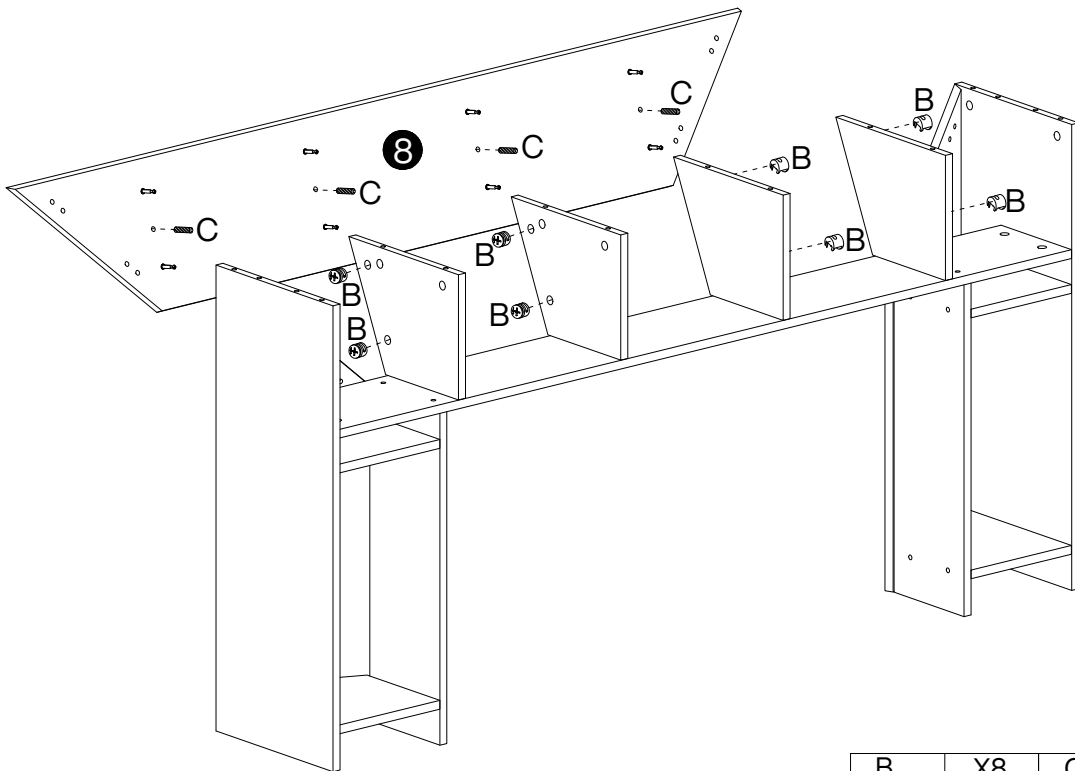
B	X4
Ø15X12 mm	



6



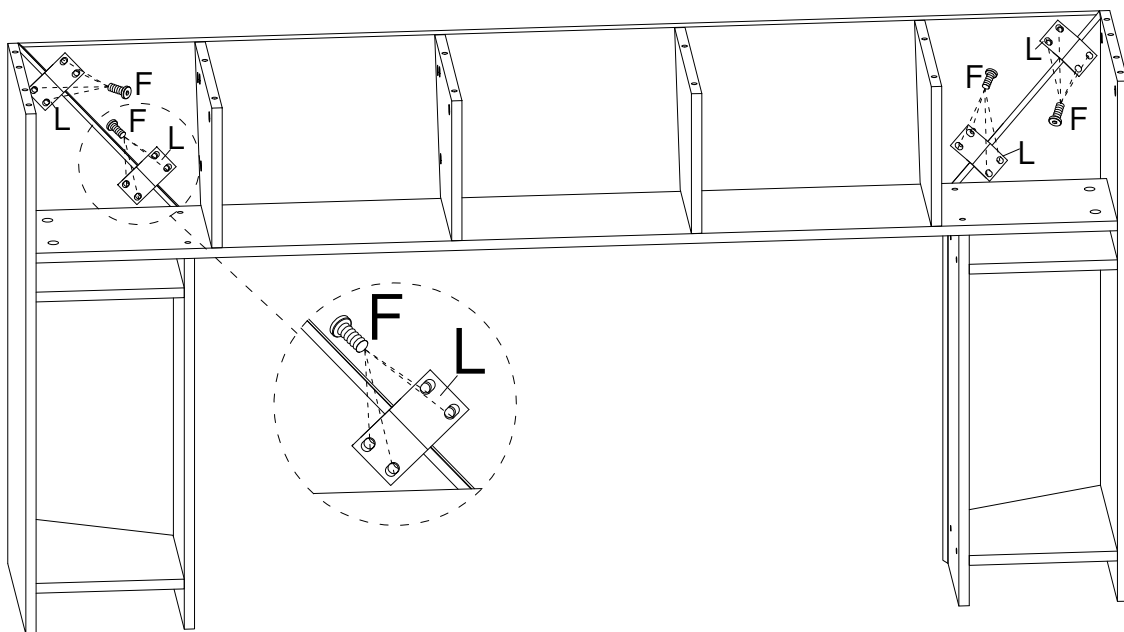
D	X4
Ø7X47 mm	

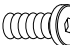
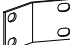
7



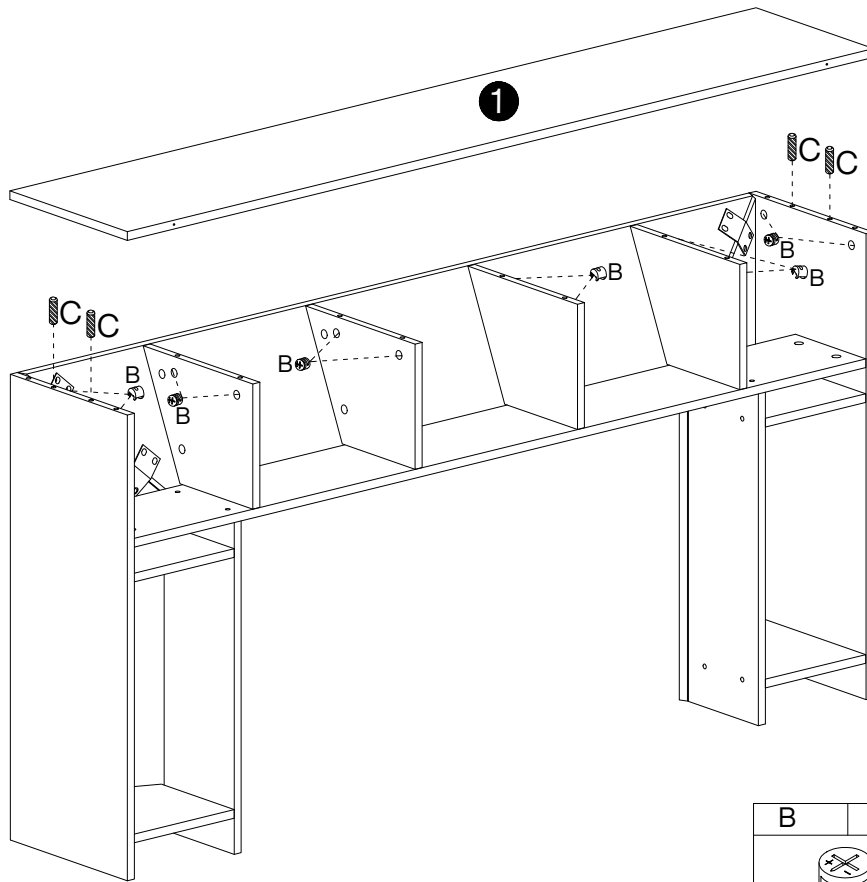
B	X8	C	X4
			
Ø15X12 mm		Ø8X30 mm	



8



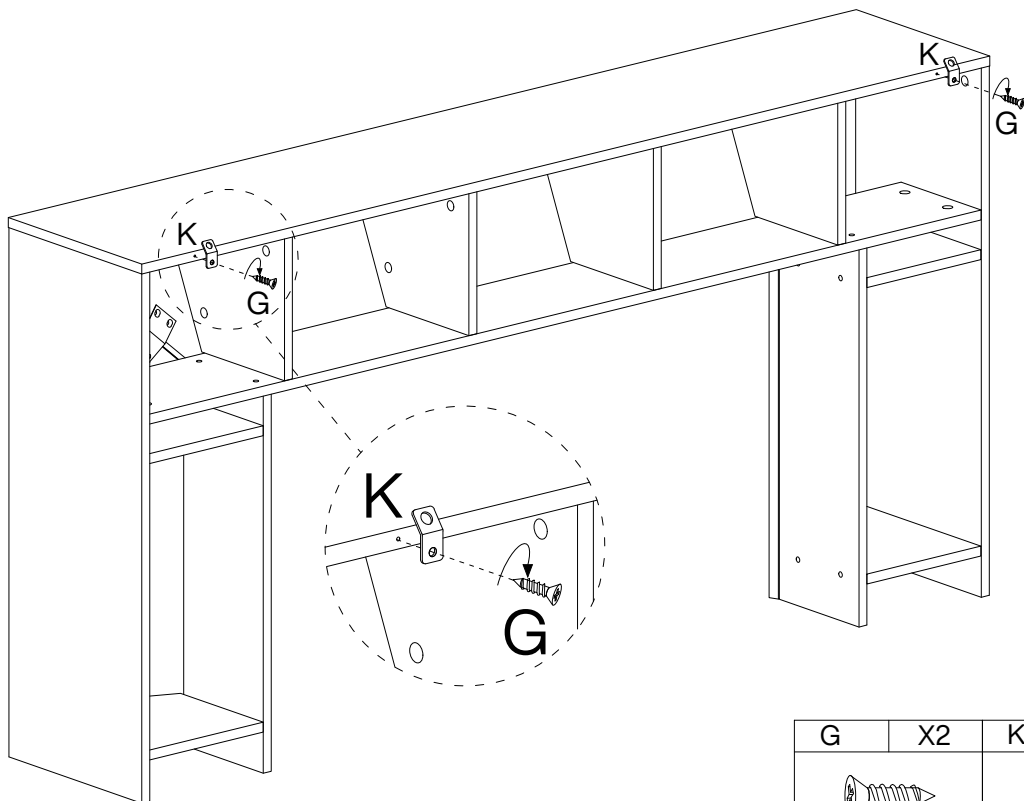
F	X16	L	X4
			
M6X12 mm		80X40 mm	

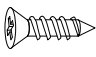

9

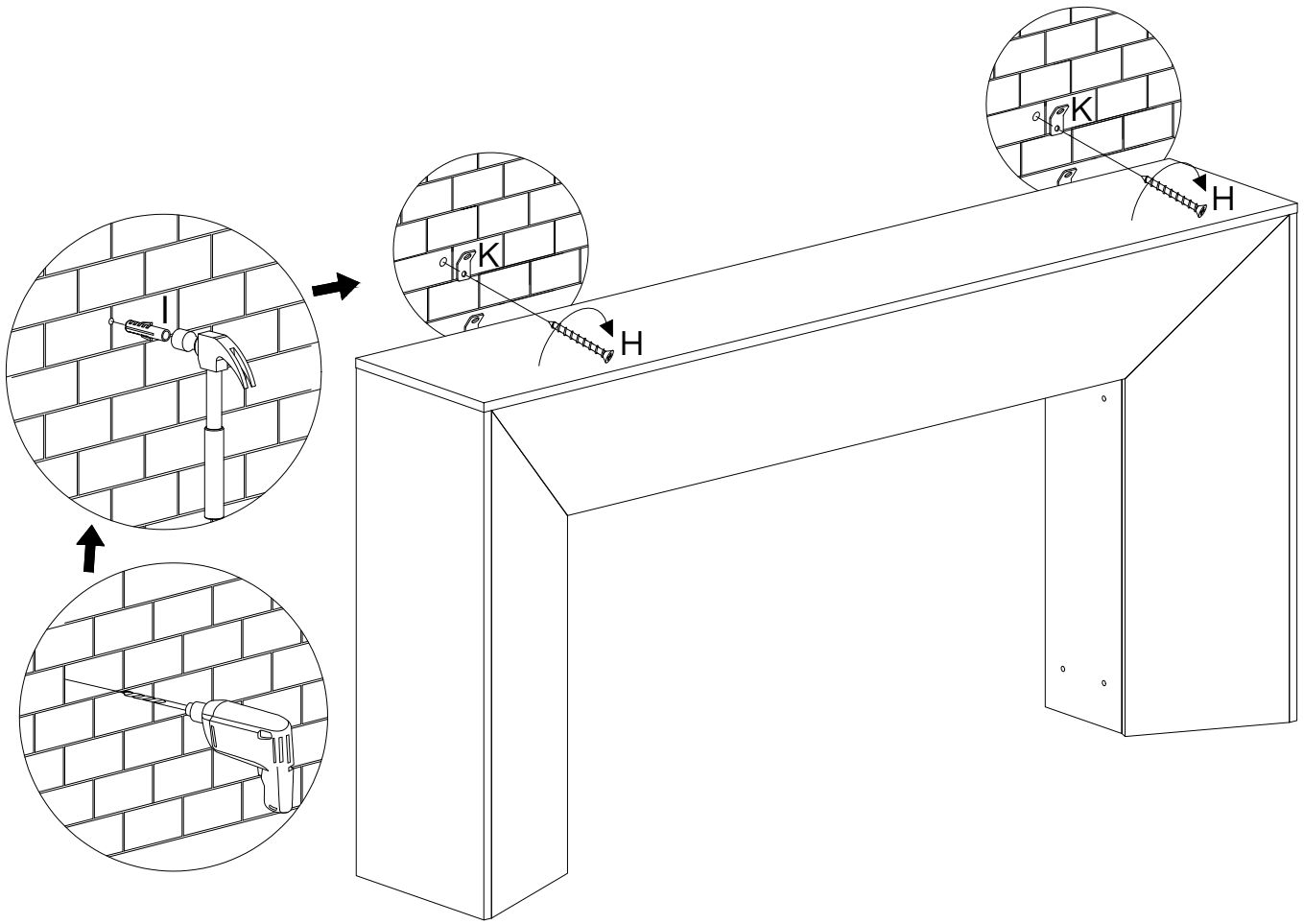



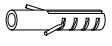

B	X12	C	X4
			
Ø15X12 mm		Ø8X30 mm	

10

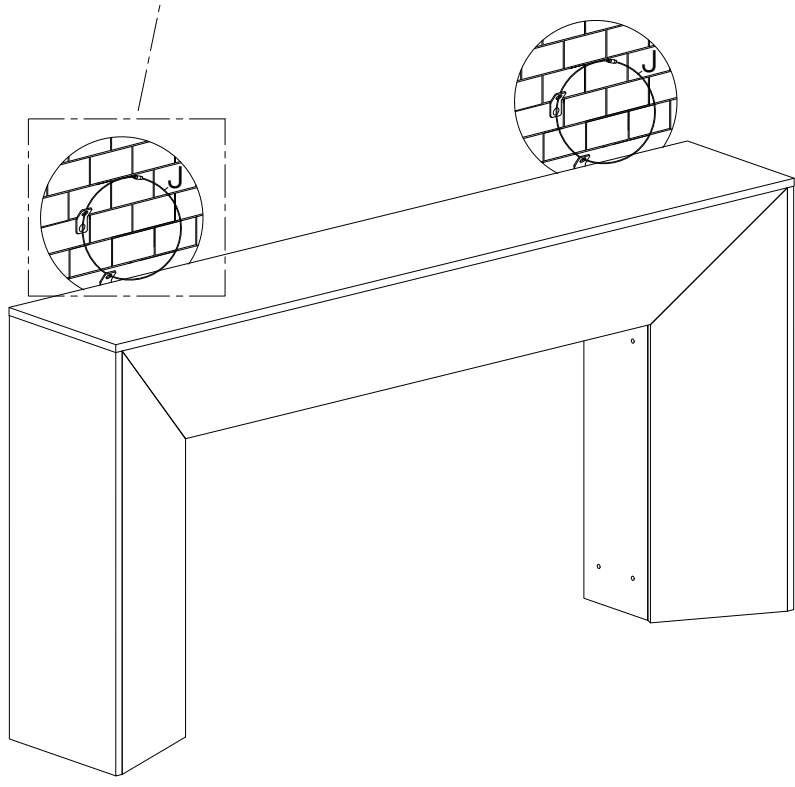
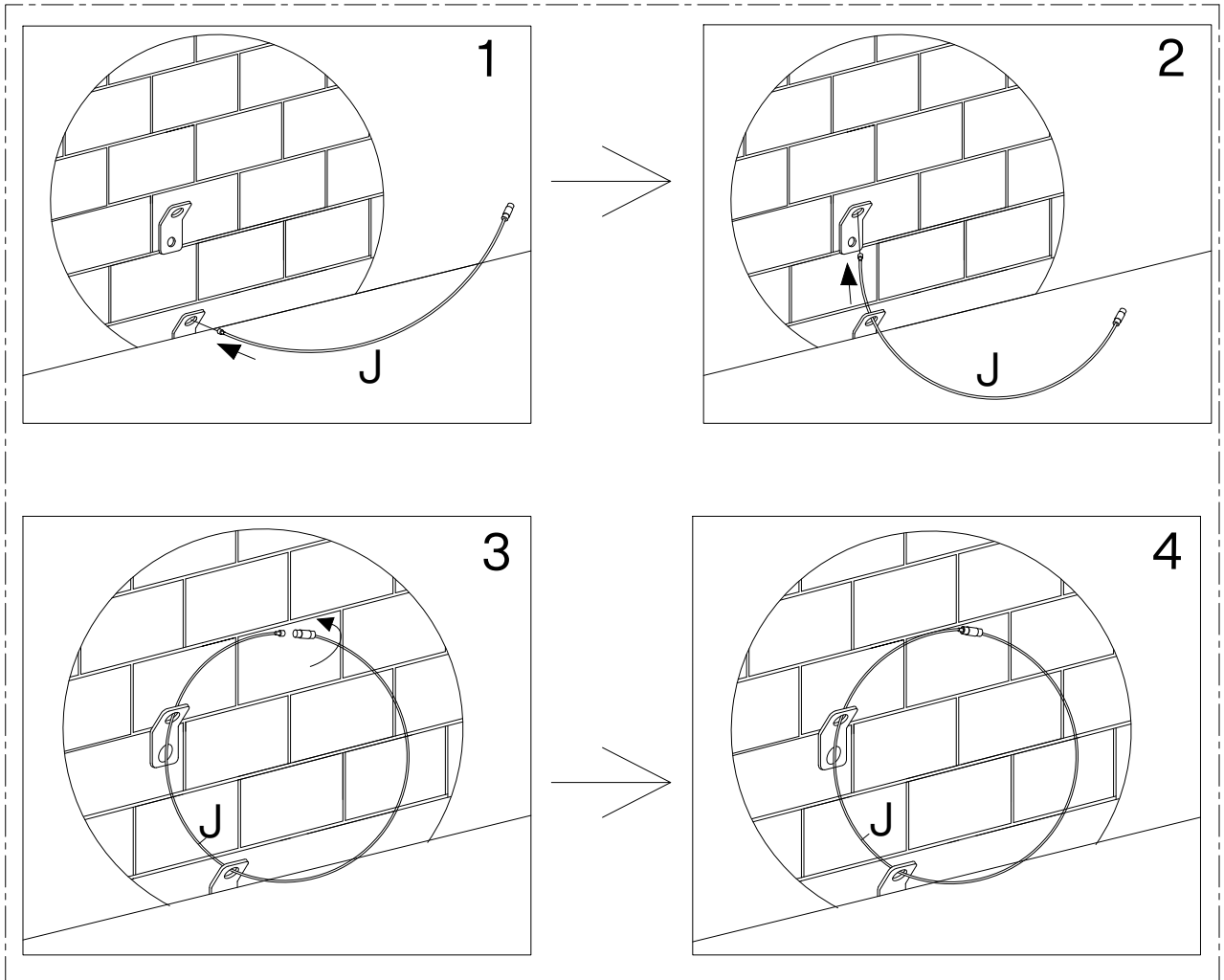


G	X2	K	X2
			
3.5X14 mm		26X13 mm	



H	X2	I	X2	K	X2
					
4X35 mm		Ø8X40 mm		26X13 mm	

12



J	X2
L250 mm	

**Thank you for your support!**

