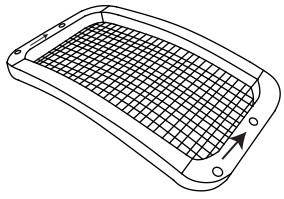
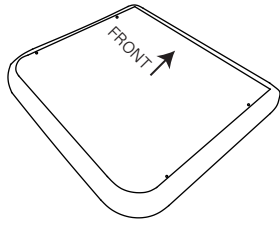


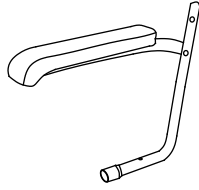
A



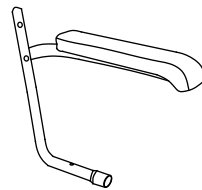
B



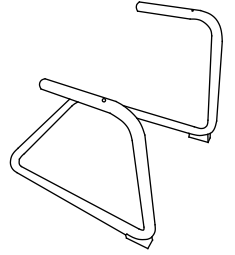
C



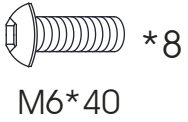
D



E



F



M6*40

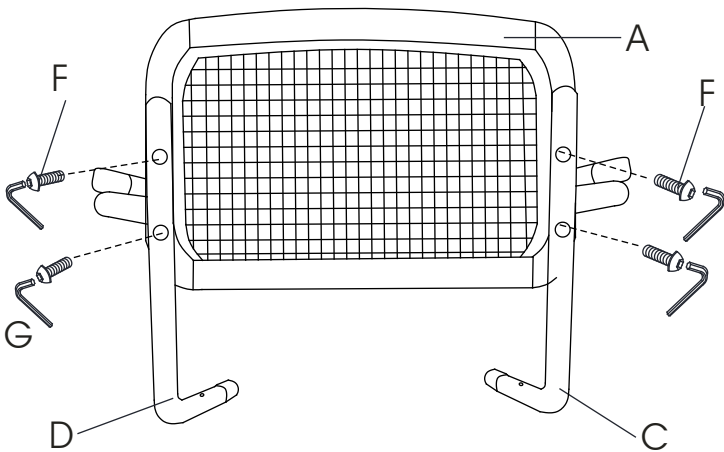
G



M6

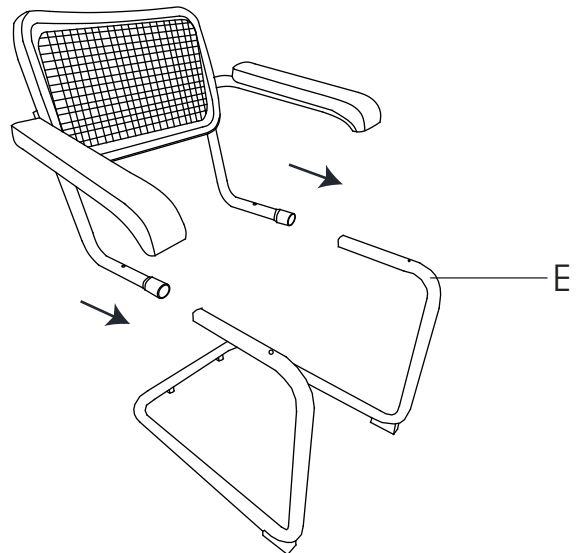
1

Please 80% tighten the bolts.



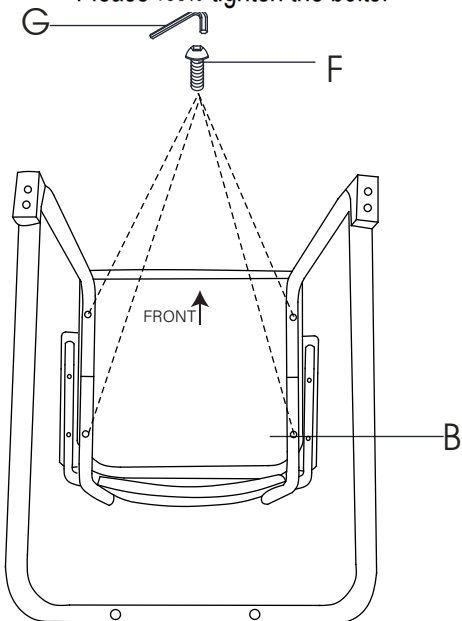
2

Please 100% tighten the frame.



3

Please 100% tighten the bolts.



Please 100% tighten the bolts.

