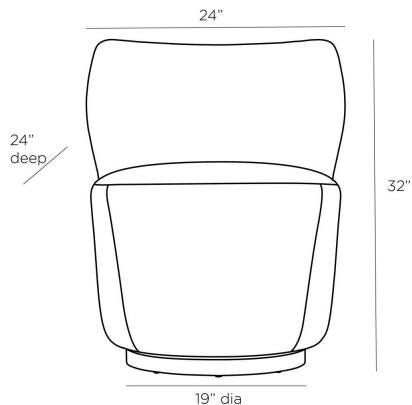


# ARTERIOS

## POPPY CHAIR CIDER VELVET



8172  
H: 32 IN, W: 24 IN, D: 24 IN,  
Cider Velvet

Beautiful from every angle, this wing-armed swivel is scaled for smaller spaces, which makes it both versatile and visually impactful. The low, angular Poppy chair is upholstered in sumptuous cider velvet and rests on a champagne iron plinth, creating a seat that's as elegant as it is comfortable.

### APPEARANCE

Material	Velvet, Iron
Finish	Cider, Champagne
Top Coat/Sealant	No
Textile Contract Suitability	High Traffic/Public Spaces

### DIMENSIONS

Base	H: 3 IN
Foot Print	Dia: 19.00 IN
Seat	H: 19 IN, W: 22.5 IN, D: 18 IN
Seat Back	H: 14 IN
Diagonal Dimension	38.5 IN

### SHIPPING

Shipping Requirements	TruckShip
Product Weight	40 lbs
Gross Weight 1	84 lbs
Shipping Box 1	H: 32 IN, L: 24 IN, W: 24 IN

### ADDITIONAL INFO

Swatch Number	V35SW
Fabric Compliancy	NFPA-260, TB117-2013
Fabric Content	82% Polyester, 18% Cotton
Fabric Cleaning Code	S - dry clean only
Seating Type	Dacron-Wrapped Foam
Fabric Rub Count	100,000
Leg Or Foot Application	360 Swivel

### CONTRACT

Contract Suitable	Yes
Fabric Composition	82% Polyester, 18% Cotton