

CARE AND MAINTENANCE












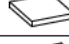


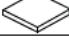


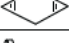
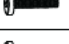

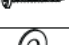
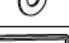

Store outdoor furniture indoors or cover well when not in use.
Remove wooden furniture from standing water. Dust regularly with small brush or vacuum
Spills should be taken care of immediately before they harden or stain with a slightly dampened sponge.

NOTICE

- * Please make sure that you have all parts indicated before you begin assembly of this item
- * This item should be assembled on a soft surface to prevent scratching the finish during assembly
- * This item may require periodic tightening

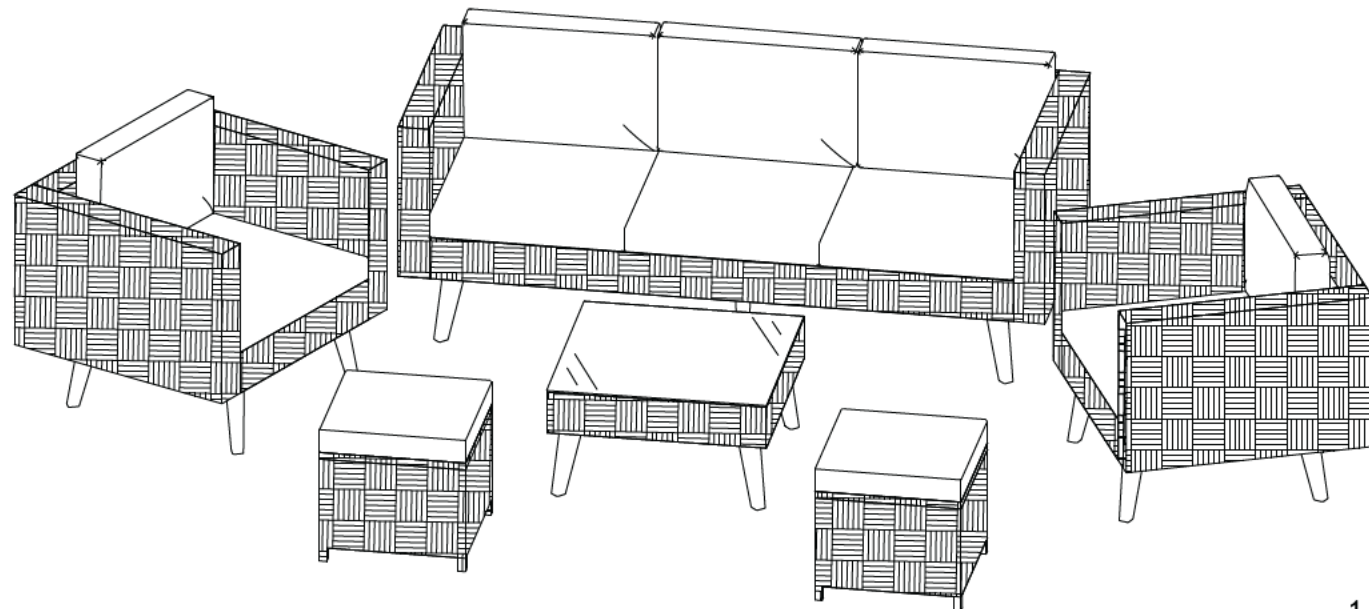
**Weight Capacity : 275 lbs (single seat)
550 lbs (two person seat)**
Warning : Do not stand on bench
Warning : Do not over torque bolts/screws

Part List and Hardware List

PIECE	DESCRIPTION	PICTURE	QUANTITY
1	Right Frame		3X
2	Left Frame		3X
3	Bench Back Frame		1X
4	Bench Seat Frame		1X
5	Chair Back Frame		2X
6	Chair Seat Frame		2X
7	Table Frame		1X
8	Stool Seat Frame		2X
9	Stool Leg Frame		4X
10	Stool Side Frame		4X
11	Bench Seat Cushion		3X
12	Chair Seat Cushion		2X
13	Bench Back Cushion		3X
14	Chair Back Cushion		2X
15	Stool Cushion		2X
16	Wood Leg		16X
17	Middle Wood Leg		1X
18	Table Glass		1X
A	Allen Bolt(M6x30 mm)		36X
B	Allen Bolt(M6x40 mm)		12X
C	Screw Bolt(M6x25 mm)		34X
D	Flat Washer		82X
E	Allen Key		5X

Product Dimensions:

26,77"x26,77"x13,38"H (Table)
70,08"x27,16"x25,98"H (Bench)
30,71"x27,16"x25,98"H (Chair)
15,75"x15,75"x14,17"H (Stool)



CARE AND MAINTENANCE

Store outdoor furniture indoors or cover well when not in use.
Remove wooden furniture from standing water. Dust regularly with small brush or vacuum
Spills should be taken care of immediately before they harden or stain with a slightly dampened sponge.



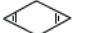



NOTICE

- * Please make sure that you have all parts indicated before you begin assembly of this item
- * This item should be assembled on a soft surface to prevent scratching the finish during assembly
- * This item may require periodic tightening

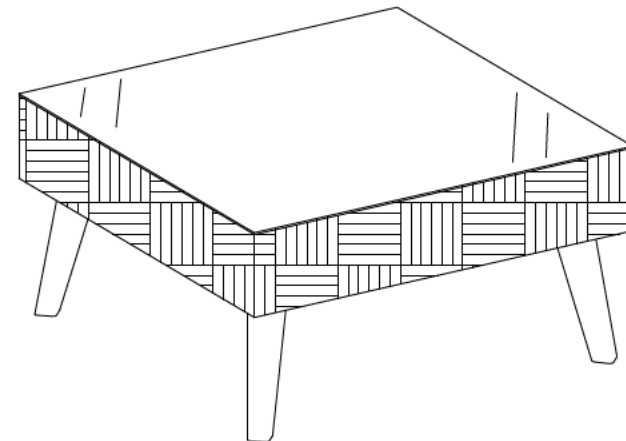
**Weight Capacity : 275 lbs (single seat)
550 lbs (two person seat)**
Warning : Do not stand on bench
Warning : Do not over torque bolts/screws

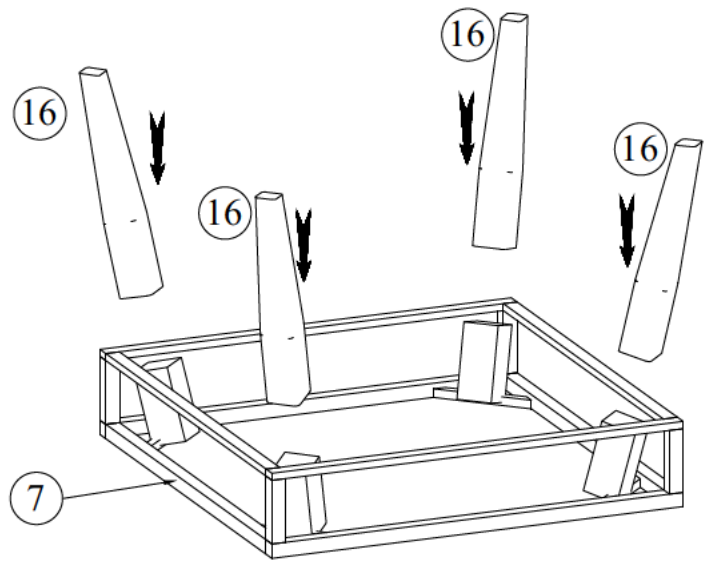


Part List and Hardware List

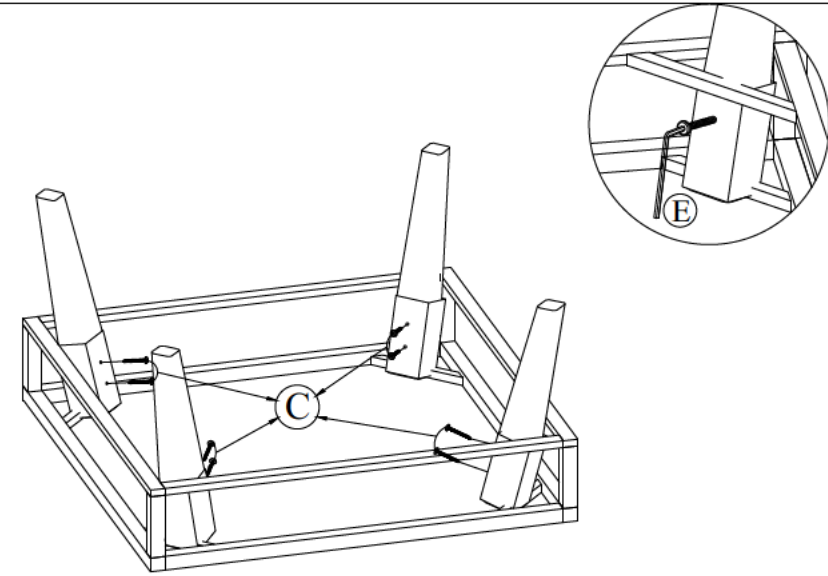
PIECE	DESCRIPTION	PICTURE	QUANTITY
7	Table Frame		1X
16	Wood Leg		4X
18	Table Glass		1X
C	Screw Bolt (M6x25 mm)		8X
D	Flat Washer		8X
E	Allen Key		1X

Product Dimensions:
26,77"x26,77"x13,38"H (Table)

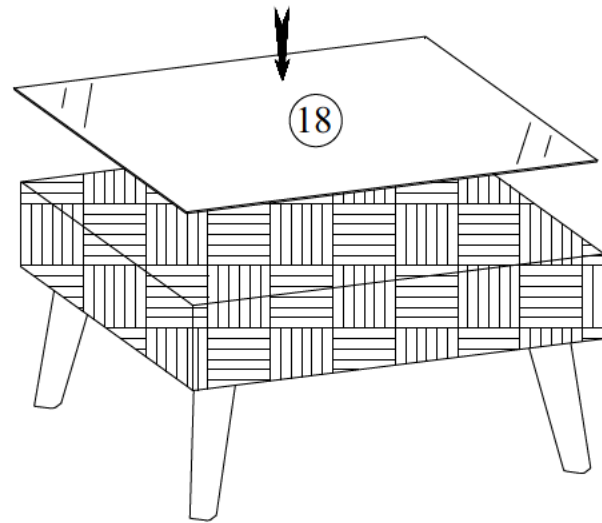




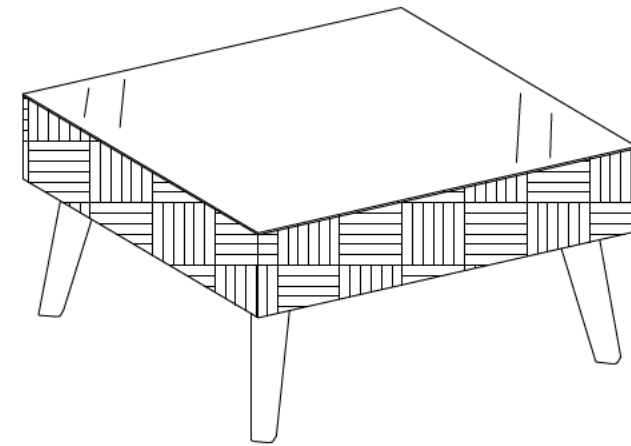
Step 1: Connect Table Frame (7) & Wood Leg (16).



Step 2 : Connect The Part from Step 1 & tighten Screw Bolt (C), Flat Washer (D) with Allen Key (E).



Step 3: Put Table Glass (18) on Table to finish Table.



FINISH

CARE AND MAINTENANCE

Store outdoor furniture indoors or cover well when not in use.
Remove wooden furniture from standing water. Dust regularly with small brush or vacuum
Spills should be taken care of immediately before they harden or stain with a slightly dampened sponge.

NOTICE

- * Please make sure that you have all parts indicated before you begin assembly of this item
- * This item should be assembled on a soft surface to prevent scratching the finish during assembly
- * This item may require periodic tightening

**Weight Capacity : 275 lbs (single seat)
550 lbs (two person seat)**

**Warning : Do not stand on bench
Warning : Do not over torque bolts/screws**

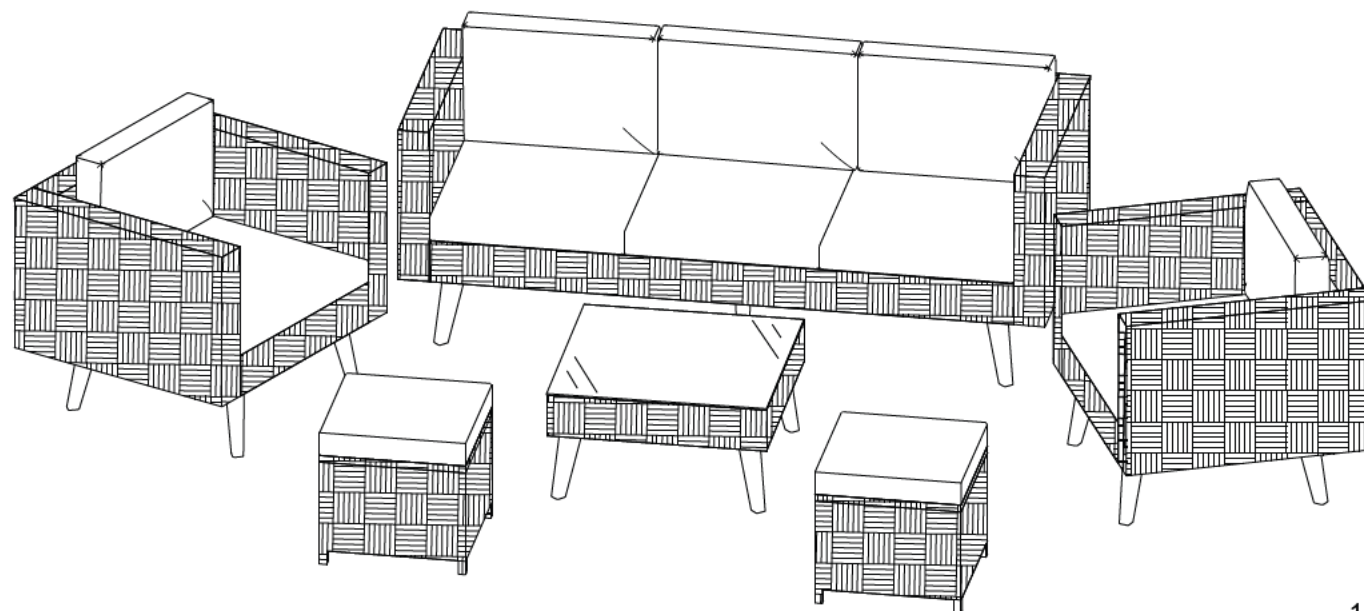


Part List and Hardware List

PIECE	DESCRIPTION	PICTURE	QUANTITY
1	Right Frame		3X
2	Left Frame		3X
3	Bench Back Frame		1X
4	Bench Seat Frame		1X
5	Chair Back Frame		2X
6	Chair Seat Frame		2X
7	Table Frame		1X
8	Stool Seat Frame		2X
9	Stool Leg Frame		4X
10	Stool Side Frame		4X
11	Bench Seat Cushion		3X
12	Chair Seat Cushion		2X
13	Bench Back Cushion		3X
14	Chair Back Cushion		2X
15	Stool Cushion		2X
16	Wood Leg		16X
17	Middle Wood Leg		1X
18	Table Glass		1X
A	Allen Bolt(M6x30 mm)		36X
B	Allen Bolt(M6x40 mm)		12X
C	Screw Bolt(M6x25 mm)		34X
D	Flat Washer		82X
E	Allen Key		5X

Product Dimensions:

26,77"x26,77"x13,38"H (Table)
70,08"x27,16"x25,98"H (Bench)
30,71"x27,16"x25,98"H (Chair)
15,75"x15,75"x14,17"H (Stool)



CARE AND MAINTENANCE

Store outdoor furniture indoors or cover well when not in use.
Remove wooden furniture from standing water. Dust regularly with small brush or vacuum
Spills should be taken care of immediately before they harden or stain with a slightly dampened sponge.

NOTICE

- * Please make sure that you have all parts indicated before you begin assembly of this item
- * This item should be assembled on a soft surface to prevent scratching the finish during assembly
- * This item may require periodic tightening

**Weight Capacity : 275 lbs (single seat)
550 lbs (two person seat)**

Warning : Do not stand on bench

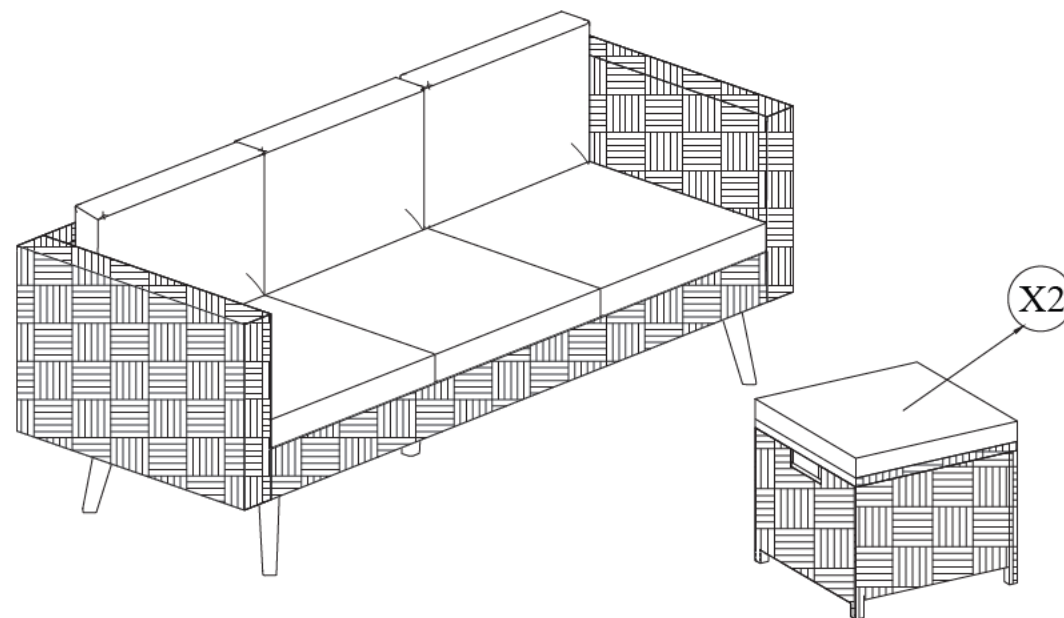
Warning : Do not over torque bolts/screws

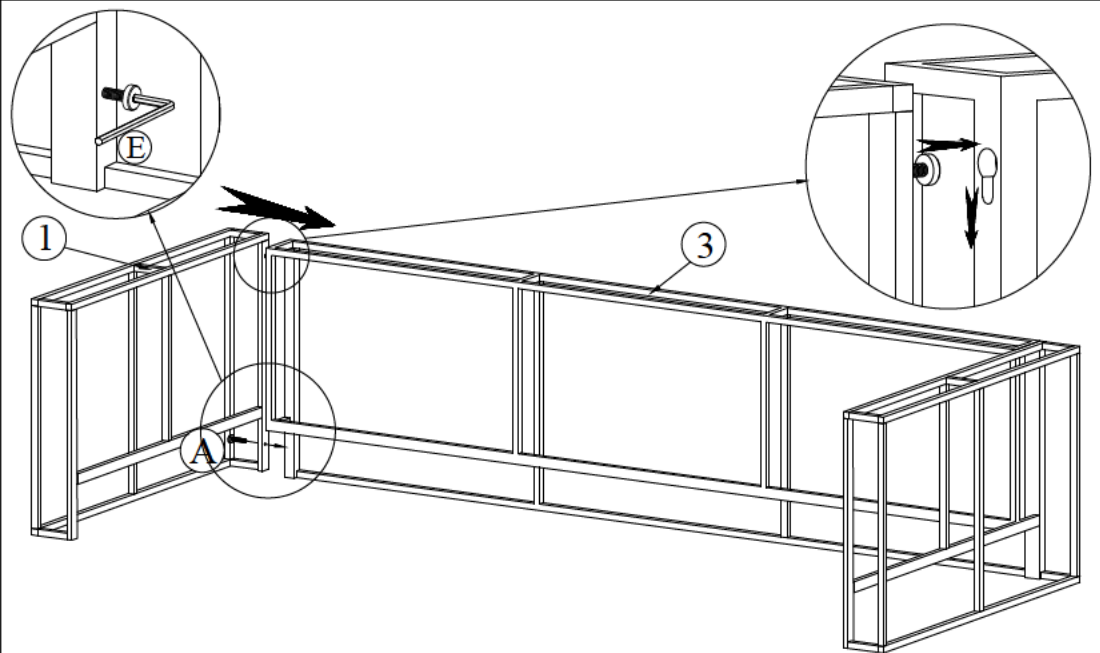
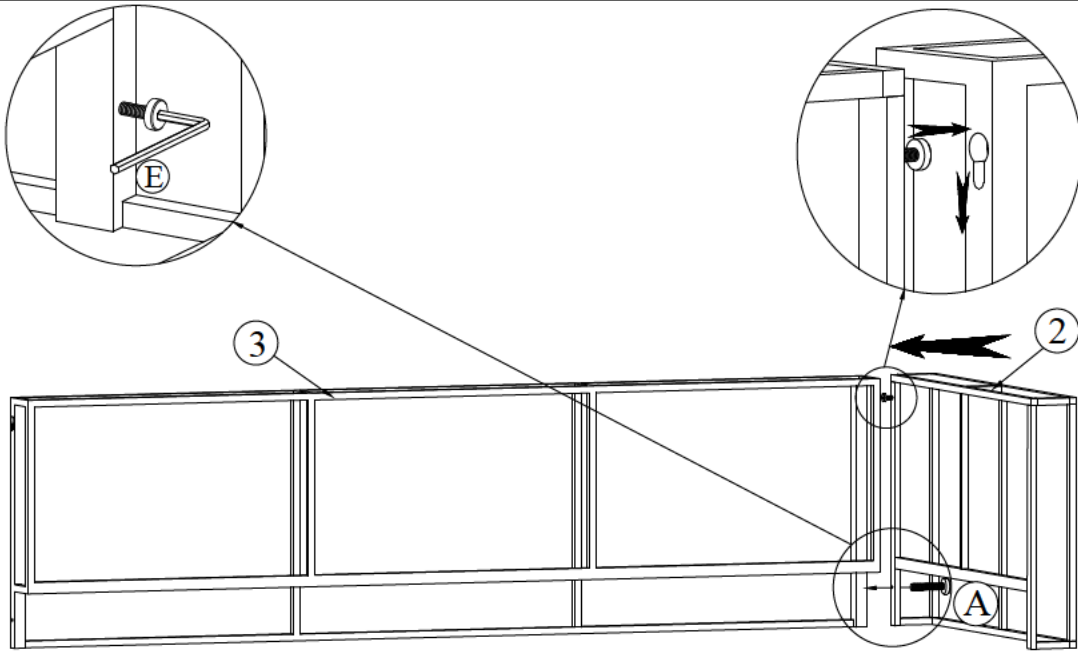


Part List and Hardware List

PIECE	DESCRIPTION	PICTURE	QUANTITY
1	Right Frame		1X
2	Left Frame		1X
3	Bench Back Frame		1X
4	Bench Seat Frame		1X
8	Stool Seat Frame		2X
9	Stool Leg Frame		4X
10	Stool Side Frame		4X
11	Bench Seat Cushion		3X
13	Bench Back Cushion		3X
15	Stool Cushion		2X
16	Wood Leg		4X
17	Middle Wood Leg		1X
A	Allen Bolt(M6x30 mm)		28X
B	Allen Bolt(M6x40 mm)		6X
C	Screw Bolt(M6x25 mm)		10X
D	Flat Washer		44X
E	Allen Key		2X

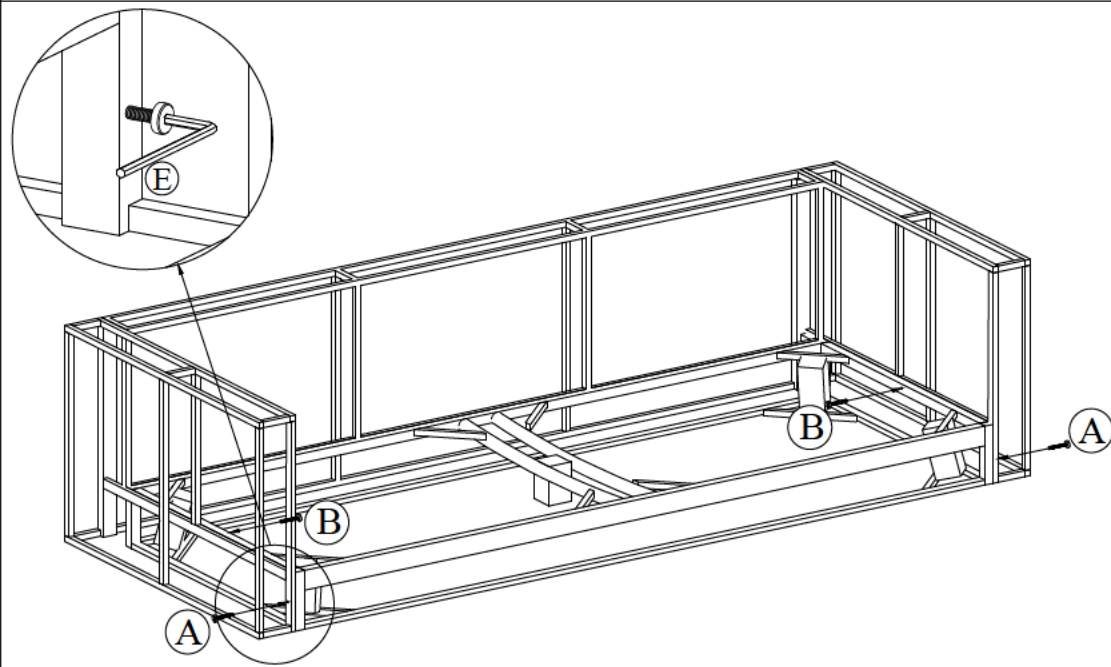
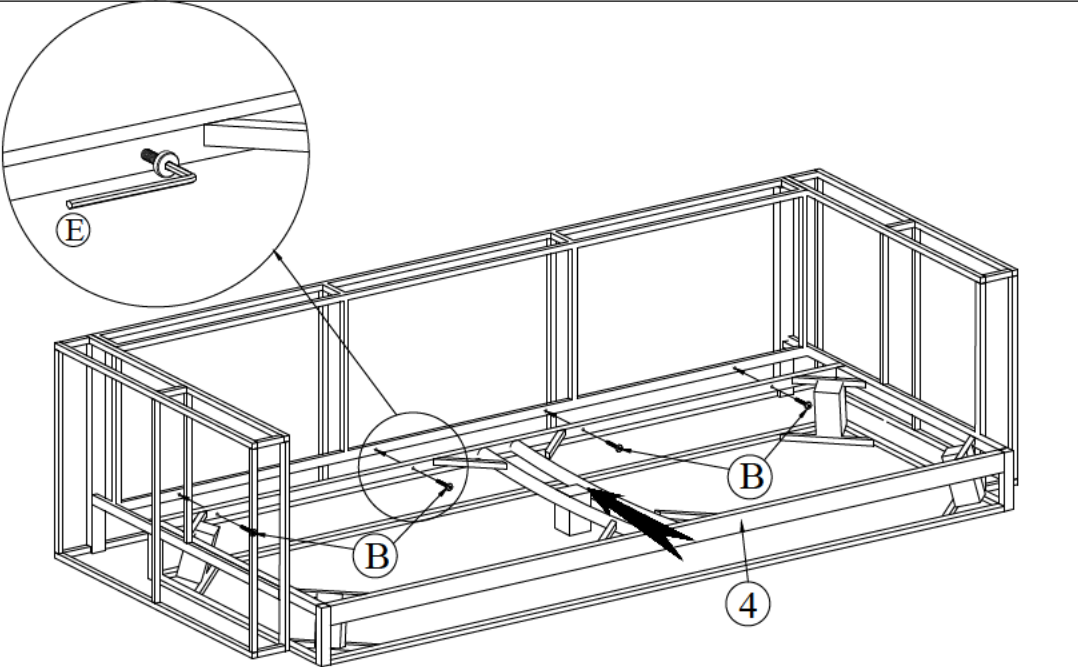
Product Dimensions:
70,08"x27,16"x25,98"H (Bench)
15,75"x15,75"x14,17"H (Stool)





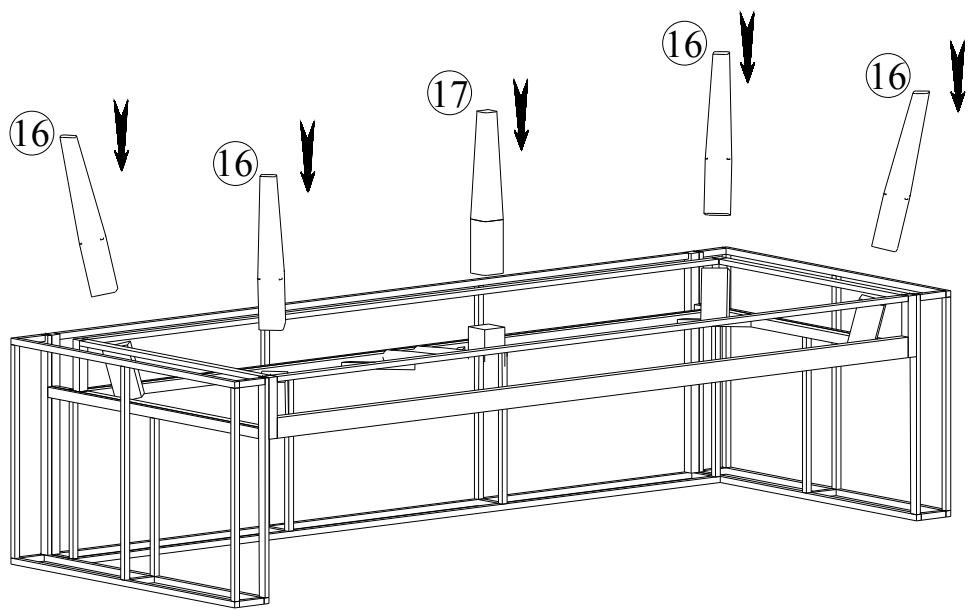
Step 1 : Connect Left Frame (2) & Bench Back Frame (3), tighten Allen Bolt (A), Flat Washer (D) with Allen Key (E).

Step 2 : Connect The Part from Step 1 & Right Frame (1), tighten Allen Bolt (A), Flat Washer (D) with Allen Key (E).

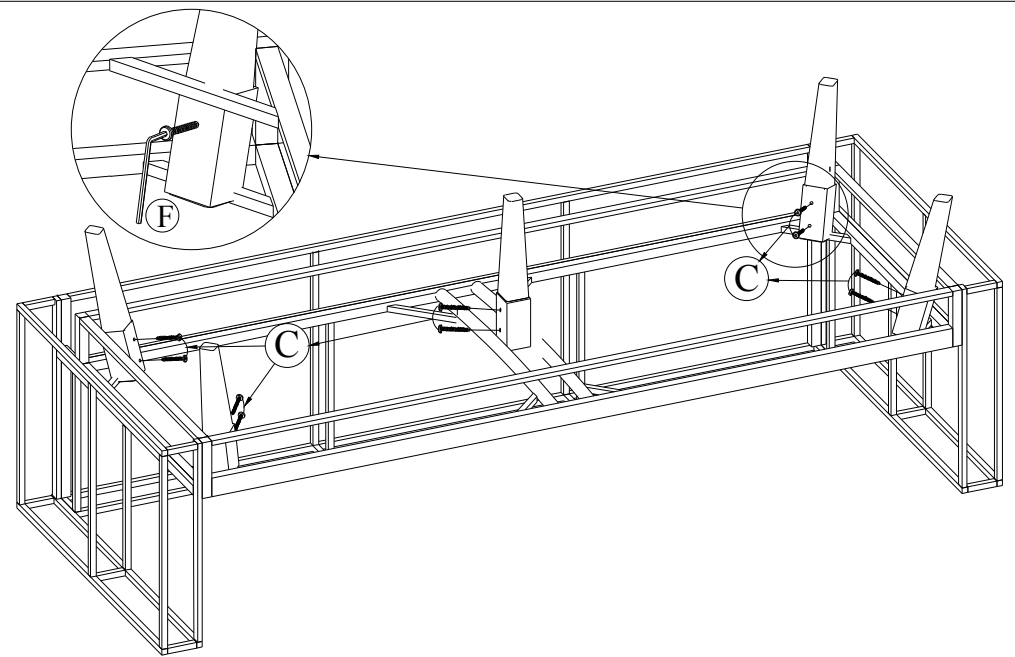


Step 3 : Connect The Part from Step 2 & Bench Seat Frame (4), tighten Allen Bolt (B), Flat Washer (D) with Allen Key (E).

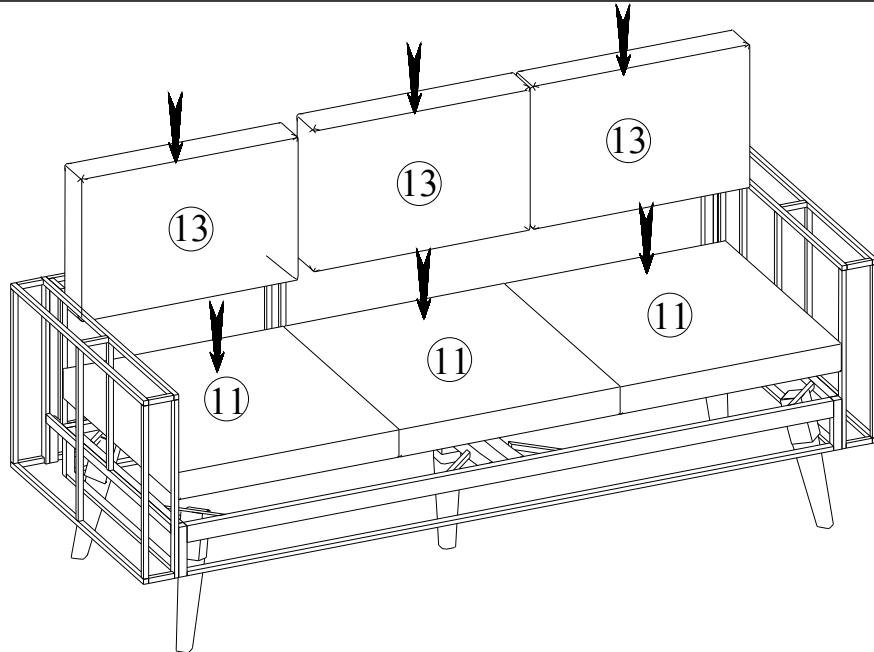
Step 4 : Connect The Part from Step 3, tighten Allen Bolt (A),(B) Flat Washer (D) with Allen Key (E).



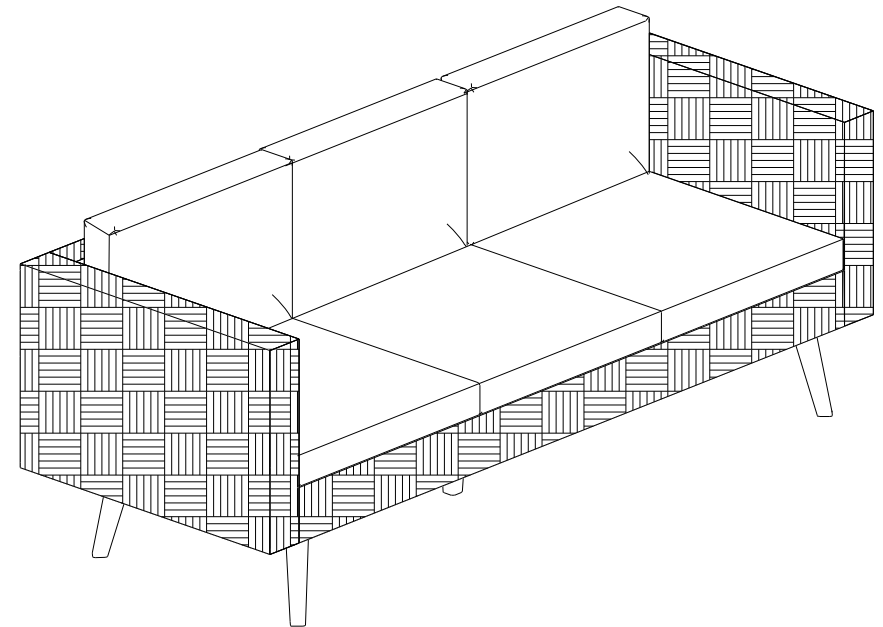
Step 5 : Connect The Part from Step 4 & Wood Leg (16), Mid Wood Leg (17).



Step 6 : Connect The Part from Step 5 & tighten Screw Bolt (C), Flat Washer (D) with Allen Key (E).

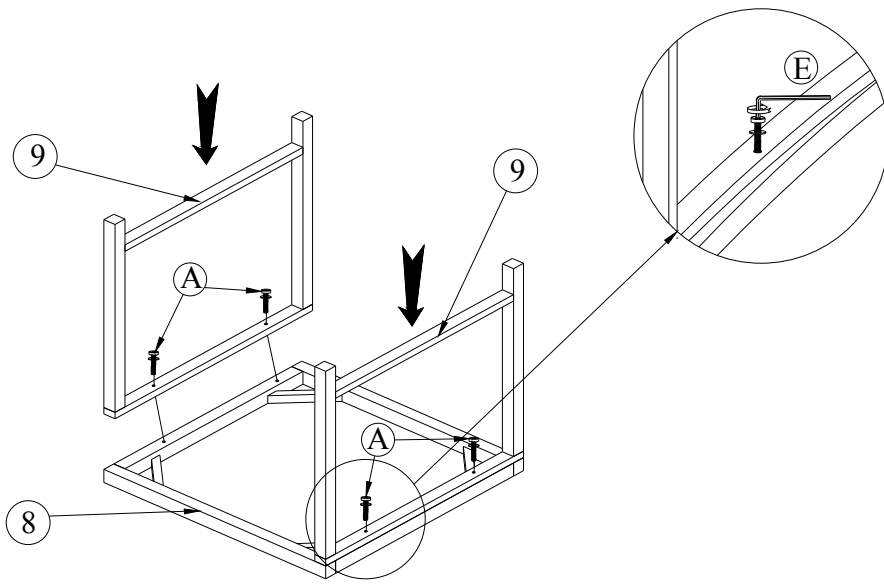


Step 7 : Put on Bench Seat Cushion (11) & Bench Back Cushion (13) to finish Bench .



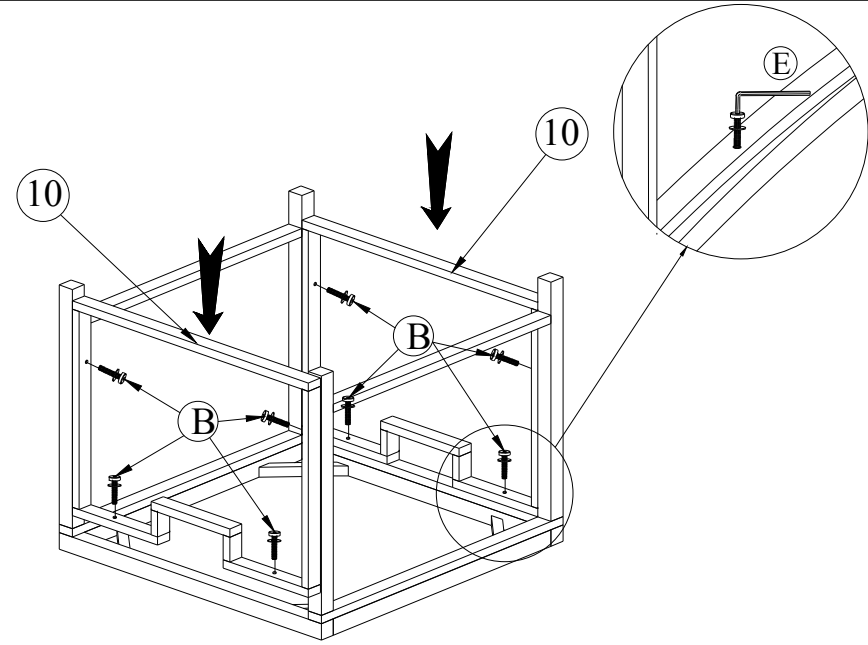
FINISH

X2



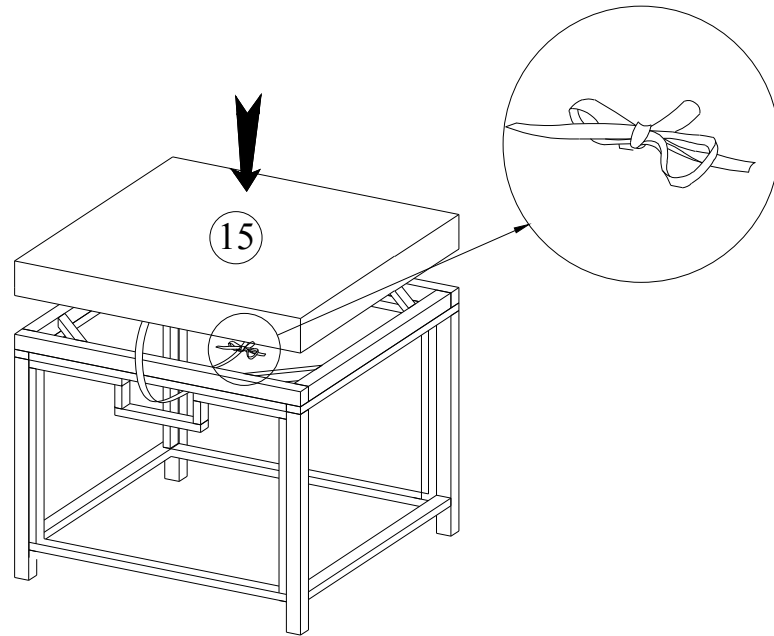
Step 8: Connect Stool Seat Frame (8) & Stool Leg Frame (9), tighten Allen Bolt (A), Flat Washer (D) with Allen Key (E).

X2



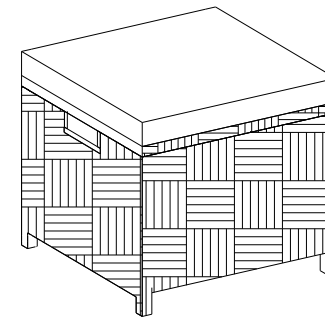
Step 9: Connect The Part from Step 8 & Stool Side Frame (10), tighten Allen Bolt (A), Flat Washer (D) with Allen Key (E).

X2



Step 10: Put and tie Stool Cushion (15) to finish Stool.

X2



FINISH

CARE AND MAINTENANCE

Store outdoor furniture indoors or cover well when not in use.
Remove wooden furniture from standing water. Dust regularly with small brush or vacuum
Spills should be taken care of immediately before they harden or stain with a slightly dampened sponge.

NOTICE

- * Please make sure that you have all parts indicated before you begin assembly of this item
- * This item should be assembled on a soft surface to prevent scratching the finish during assembly
- * This item may require periodic tightening

**Weight Capacity : 275 lbs (single seat)
550 lbs (two person seat)**

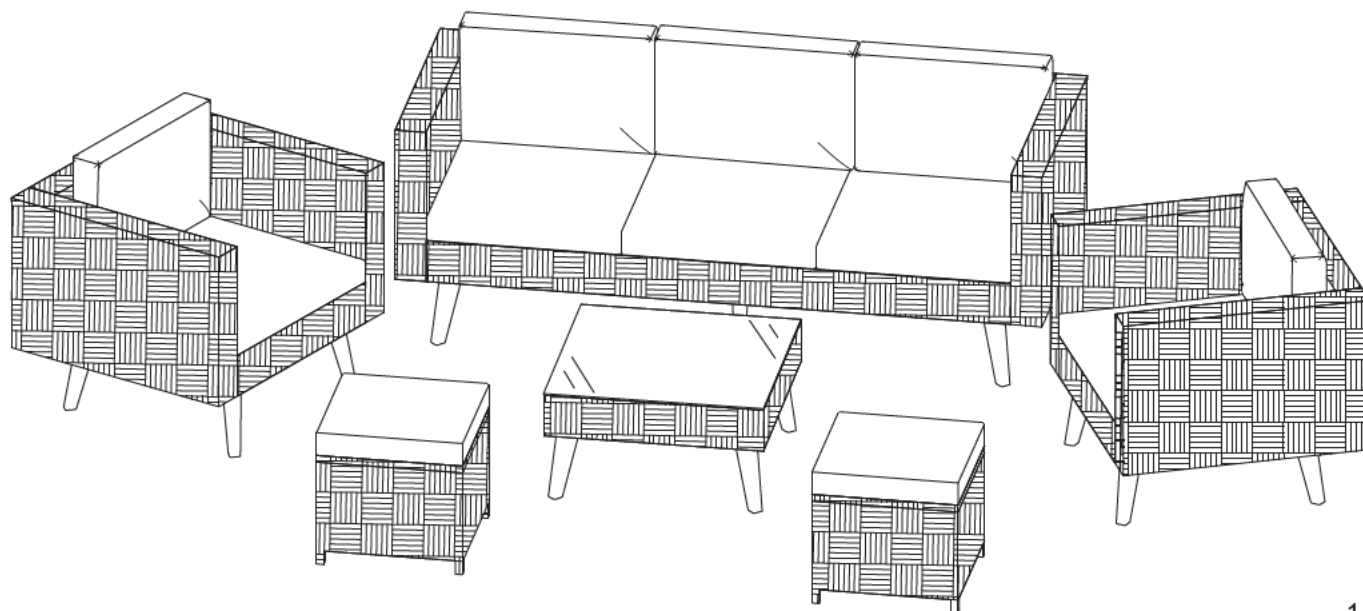
**Warning : Do not stand on bench
Warning : Do not over torque bolts/screws**



Part List and Hardware List

PIECE	DESCRIPTION	PICTURE	QUANTITY
1	Right Frame		3X
2	Left Frame		3X
3	Bench Back Frame		1X
4	Bench Seat Frame		1X
5	Chair Back Frame		2X
6	Chair Seat Frame		2X
7	Table Frame		1X
8	Stool Seat Frame		2X
9	Stool Leg Frame		4X
10	Stool Side Frame		4X
11	Bench Seat Cushion		3X
12	Chair Seat Cushion		2X
13	Bench Back Cushion		3X
14	Chair Back Cushion		2X
15	Stool Cushion		2X
16	Wood Leg		16X
17	Middle Wood Leg		1X
18	Table Glass		1X
A	Allen Bolt(M6x30 mm)		36X
B	Allen Bolt(M6x40 mm)		12X
C	Screw Bolt(M6x25 mm)		34X
D	Flat Washer		82X
E	Allen Key		5X

Product Dimensions:
26,77"x26,77"x13,38"H (Table)
70,08"x27,16"x25,98"H (Bench)
30,71"x27,16"x25,98"H (Chair)
15,75"x15,75"x14,17"H (Stool)



CARE AND MAINTENANCE

Store outdoor furniture indoors or cover well when not in use.
Remove wooden furniture from standing water. Dust regularly with small brush or vacuum
Spills should be taken care of immediately before they harden or stain with a slightly dampened sponge.

NOTICE

- * Please make sure that you have all parts indicated before you begin assembly of this item
- * This item should be assembled on a soft surface to prevent scratching the finish during assembly
- * This item may require periodic tightening













**Weight Capacity : 275 lbs (single seat)
550 lbs (two person seat)**

Warning : Do not stand on bench

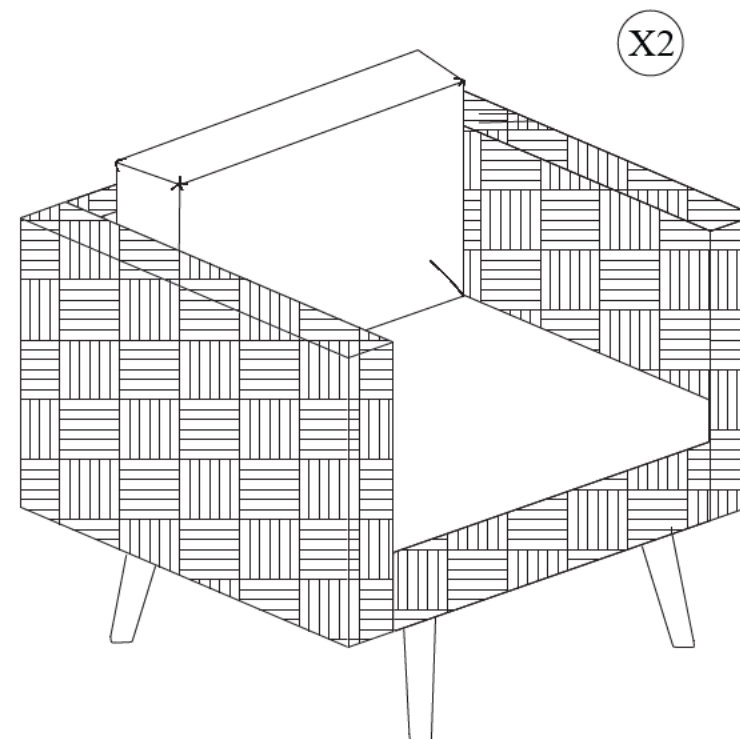
Warning : Do not over torque bolts/screws

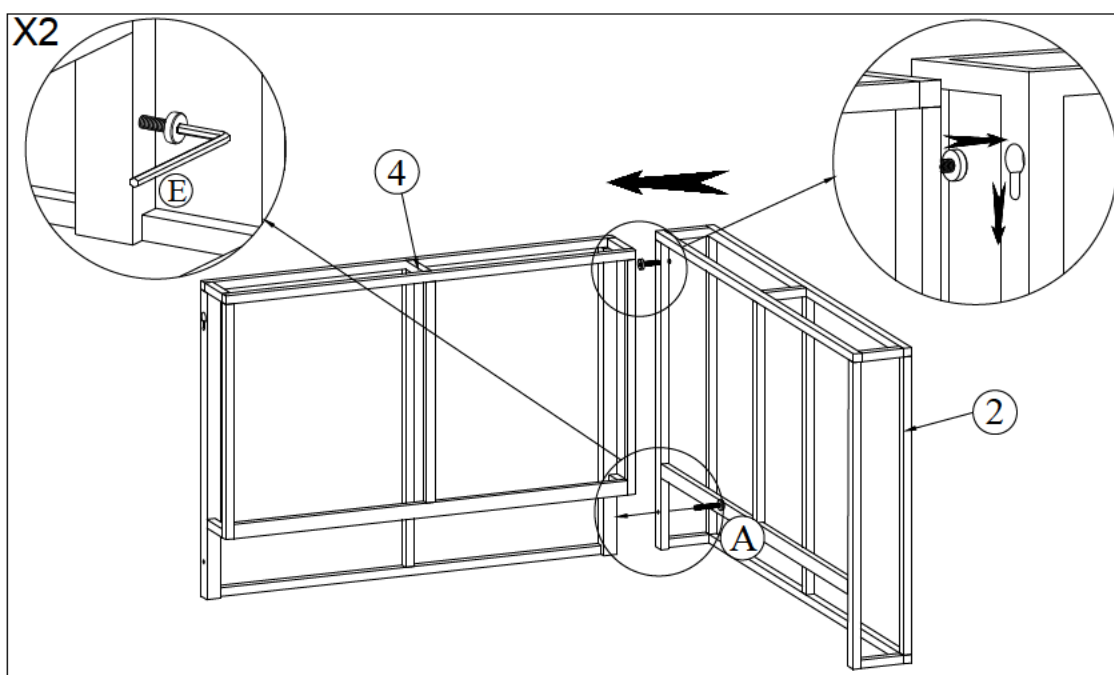


Part List and Hardware List

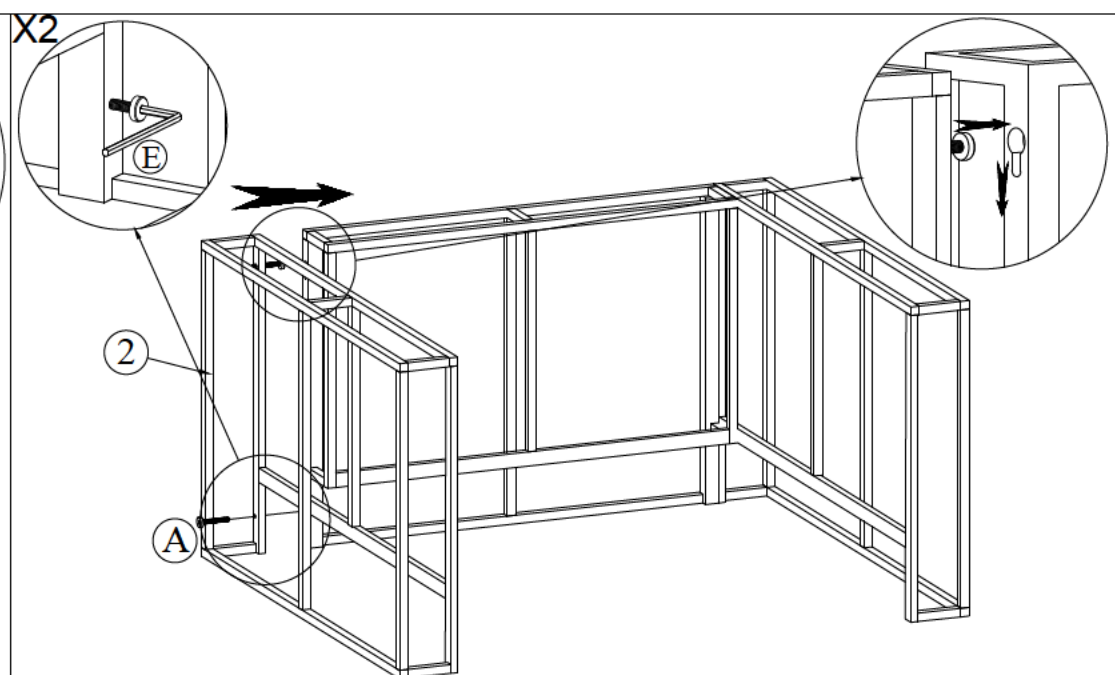
PIECE	DESCRIPTION	PICTURE	QUANTITY
1	Right Frame		2X
2	Left Frame		2X
5	Chair Back Frame		2X
6	Chair Seat Frame		2X
12	Chair Seat Cushion		2X
14	Chair Back Cushion		2X
16	Wood Leg		8X
A	Allen Bolt(M6x30 mm)		8X
B	Allen Bolt(M6x40 mm)		6X
C	Screw Bolt(M6x25 mm)		16X
D	Flat Washer		30X
E	Allen Key		2X

30,71"x27,16"x25,98"H (Chair)

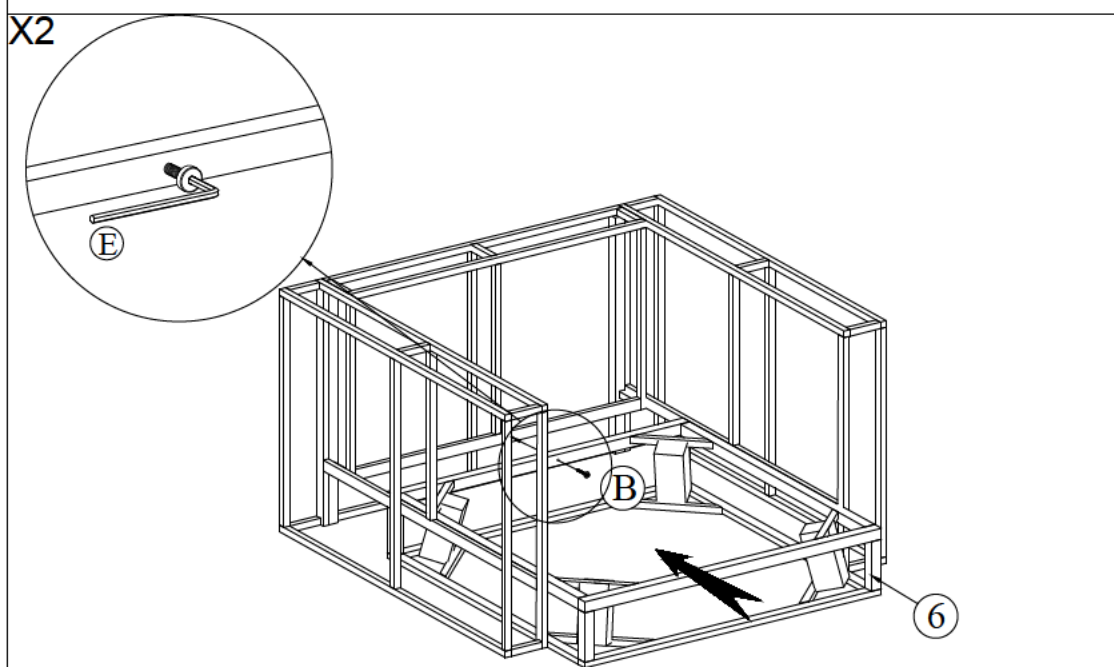




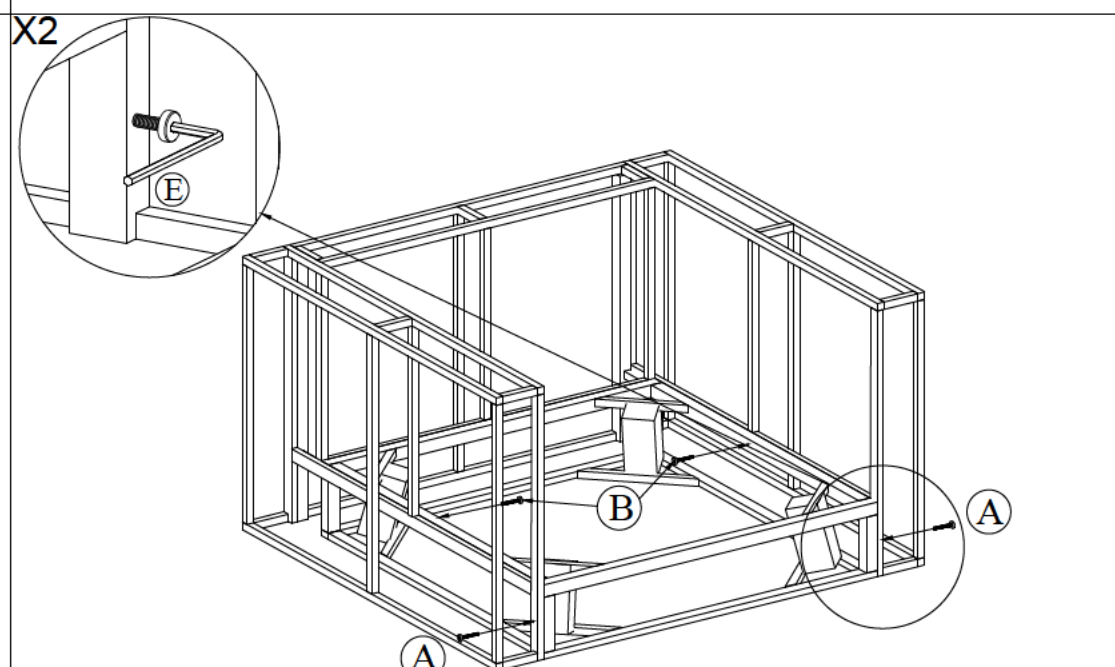
Step 1 : Connect Left Frame (2) & Chair Back Frame (5), tighten Allen Bolt (A), Flat Washer (D) with Allen Key (E).



Step 2 : Connect The Part from Step 1 & Right Frame (1), tighten Allen Bolt (A), Flat Washer (D) with Allen Key (E).

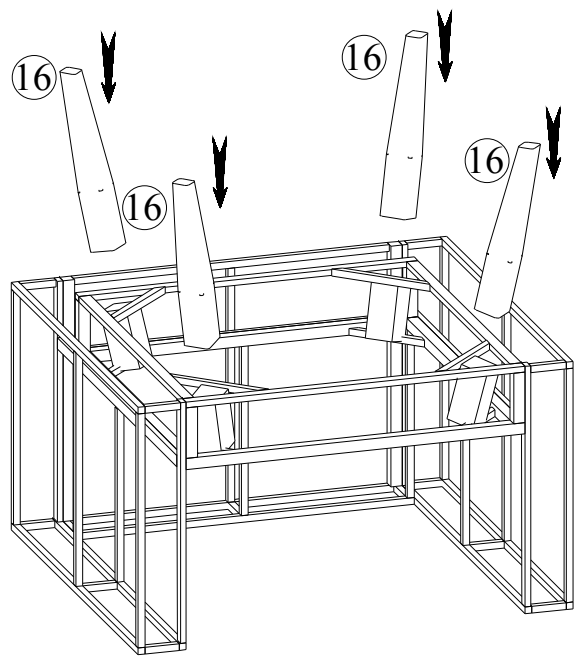


Step 3 : Connect The Part from Step 2 & Chair Seat Frame (6), tighten Allen Bolt (B), Flat Washer (D) with Allen Key (E).



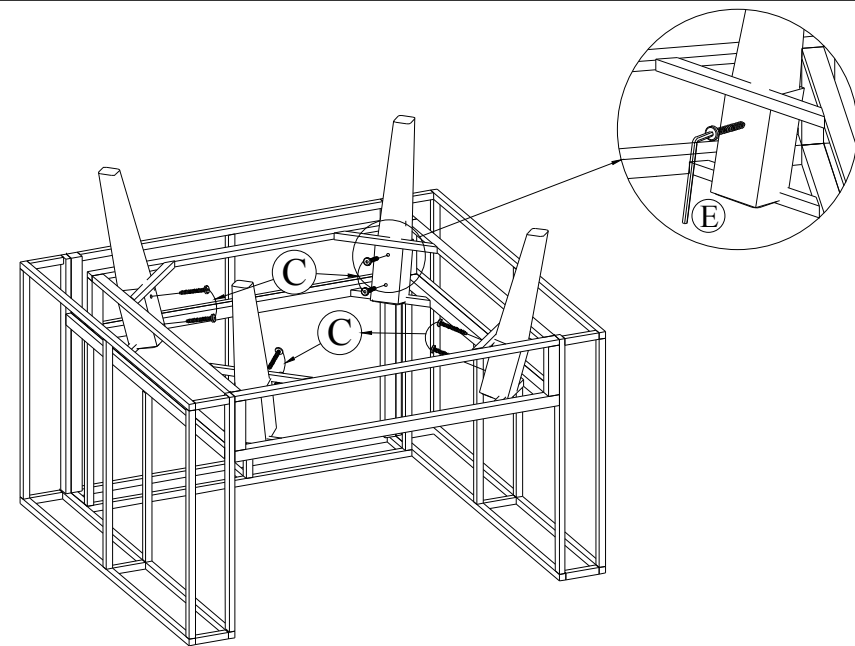
Step 4 : Connect The Part from Step 3, tighten Allen Bolt (A),(B) Flat Washer (D) with Allen Key (E).

X2



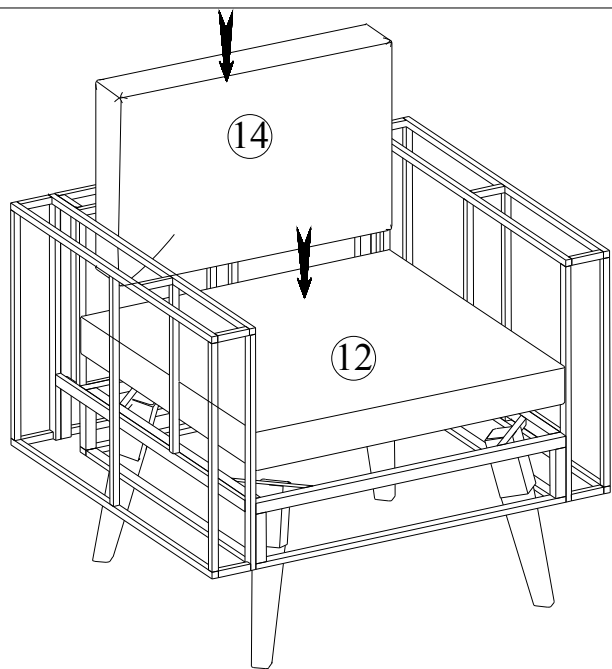
Step 5 : Connect The Part from Step 4 & Wood Leg (16).

X2



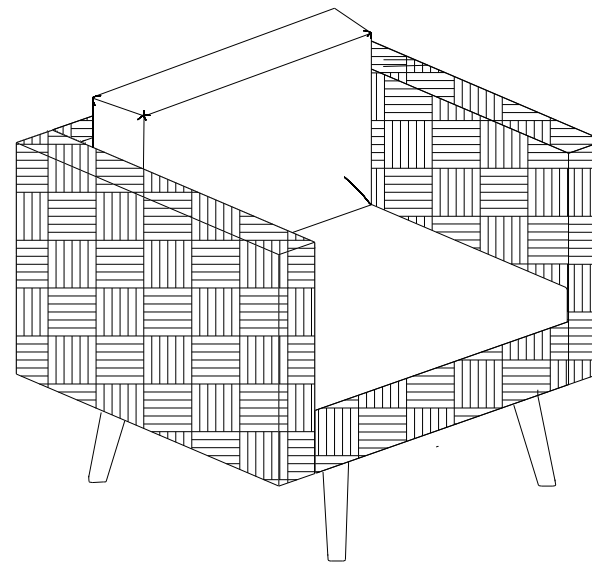
Step 6 : Connect The Part from Step 5 & tighten Screw Bolt (C), Flat Washer (D) with Allen Key (E).

X2



Step 7 : Put Bench Seat Cushion (12) & Bench Back Cushion (14) to finish Chair .

X2



FINISH