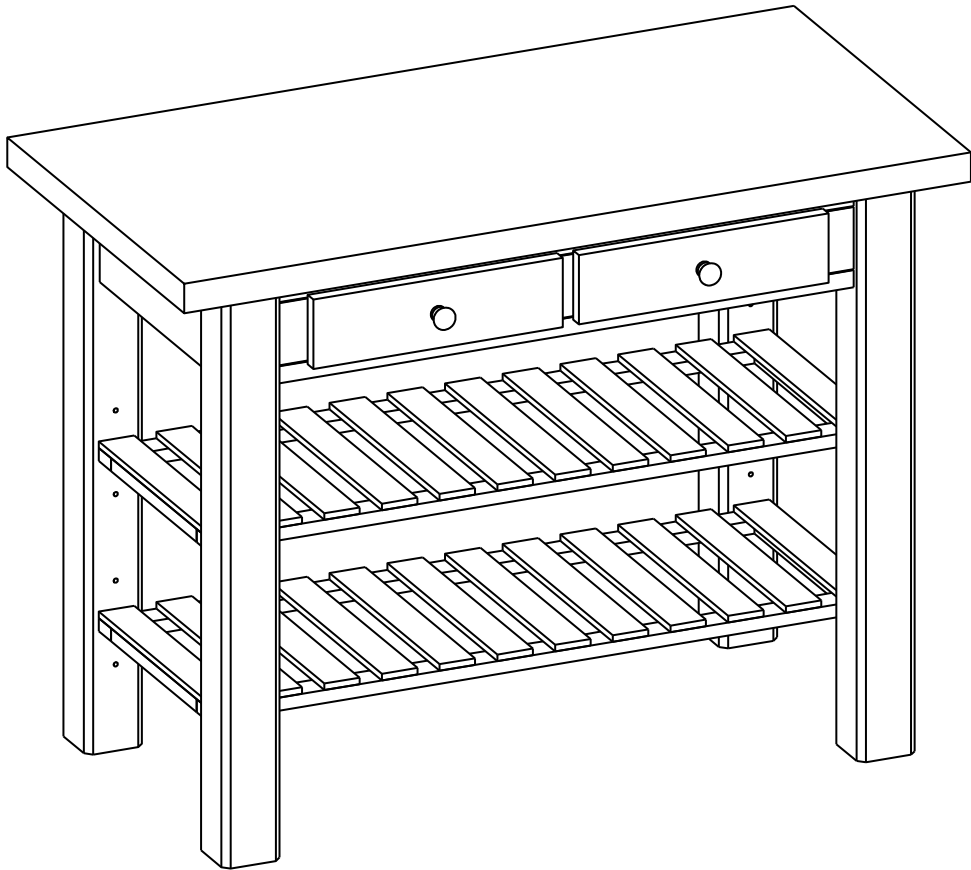


ASSEMBLY INSTRUCTIONS



Description : SUPER KITCHEN ISLAND 48X24X36

BEFORE ASSEMBLY

Thank you for purchasing this quality product. This product has been designed for easy assembly and constructed for durability. All parts were checked prior to packaging to insure quality. Prior to beginning assembly, however, make sure all parts and hardware are included and free of obvious defect.

IMPORTANT NOTE:

- Place all wooden parts on a clean and smooth surface such as a rug or carpet to avoid the parts from being scratched.
- Remove all wrapping material, including staples & packing straps before you start to assemble.
- DO NOT tighten all screws and bolts until completely assembled.
- Keep all hardware parts out of reach of children.

WARNING:

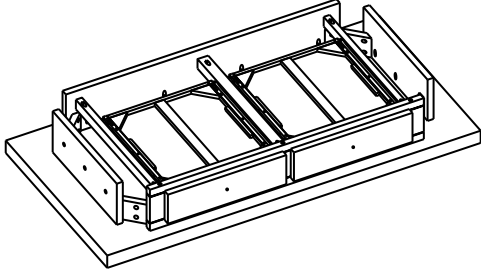
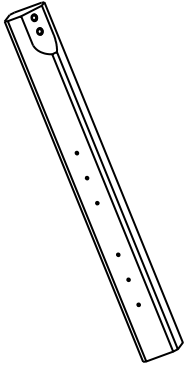
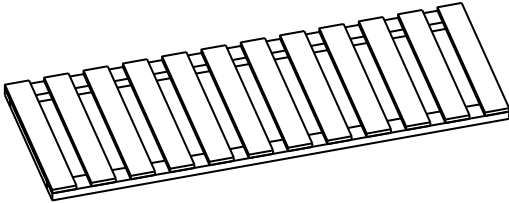
Long exposure to rubber or soft plastic may cause a chemical reaction and damage the finish of your product. Protect the surface of the product with cloth if you are using any product with rubber feet or base.

ASSEMBLY TOOLS REQUIRED NOT INCLUDED




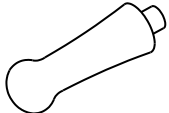

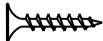

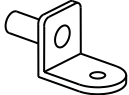


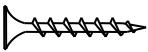
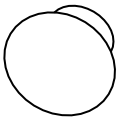
PART LIST

When unpacking, please be careful not to discard any parts with the packaging. Before continuing, please make sure you have all of the following parts:

NO	Description	Qty	Sketch	NO	Description	Qty	Sketch
A	Top	1		B	Leg (L-R)	4	
C	Shelf	2					

HARDWARE LIST

When unpacking, please be careful not to discard any parts with the packaging. Before continuing, please make sure you have all of the following hardware:

NO	Description	Qty	Sketch	NO	Description	Qty	Sketch
1	Bolt (M8 x 50mm)	8		6	Cup Holder	3	
2	Lock Washer (φ8.5 x 13mm)	8		7	Short Screw (M3.5 x 15mm)	8	
3	Flat Washer (φ8.5 x 19mm)	8		8	Shelf Support Bracket	8	
4	Allen Key (M4 x 30mm x 110mm)	1		9	Pan Head Screw (M4 x 30mm)	2	
5	Long Screw (M4 x 25mm)	3		10	Wooden Knob (φ32 x 32mm)	2	

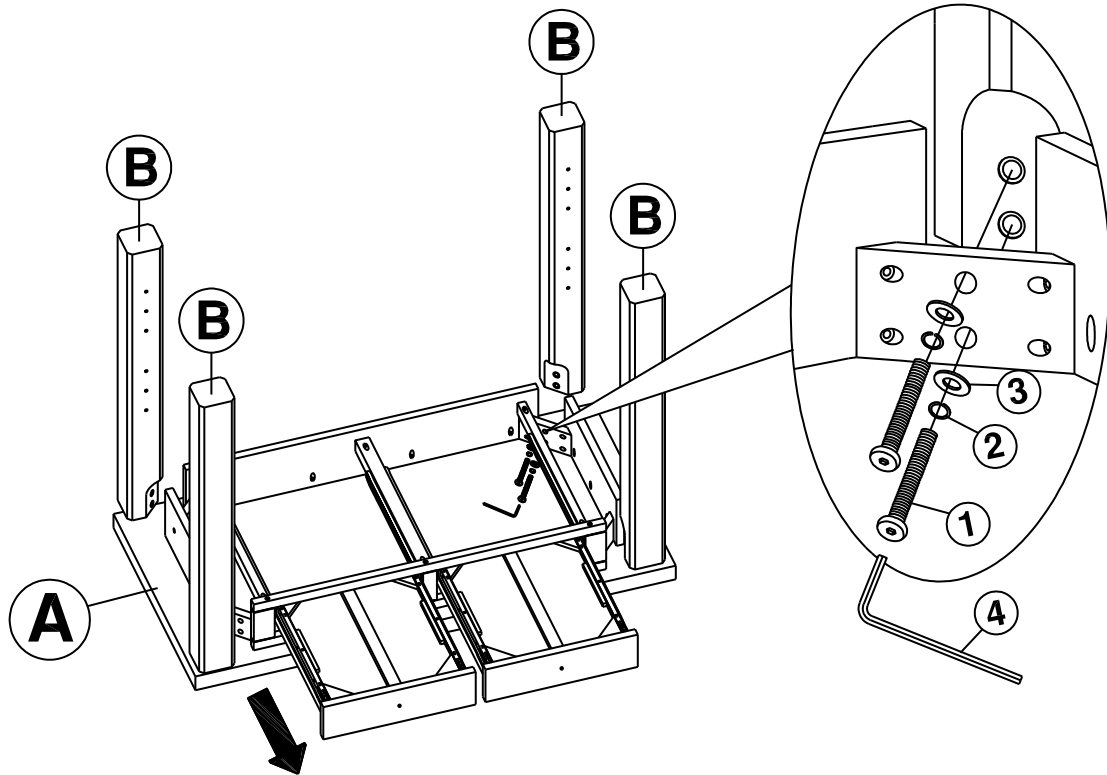
Printed in Vietnam

REVISED DEC 10, 2024

STEP 1

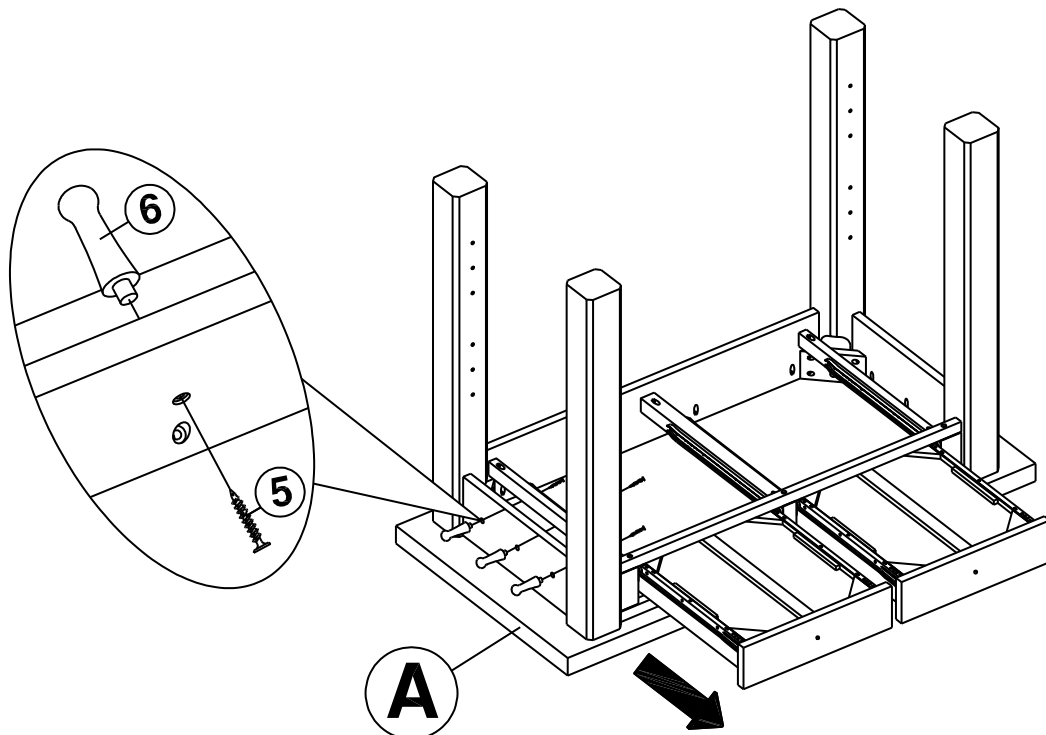
Pull out the drawers, as shown below.

Attach legs (B) to top (A) with bolts (1), and washers (2) and (3) as shown below. Tighten with Allen key (4).



STEP 2

Attach cup holders (6) to top (A) with screws (5) as shown below. Tighten with a screwdriver.



STEP 3

Insert support brackets (8) into legs (B). Place the shelves (C) on the support brackets and attach with screws (7) as shown below. Tighten with a screwdriver.

Attach knobs (10) to front of drawers with pan head screws (9) as shown below. Tighten with a screwdriver.

