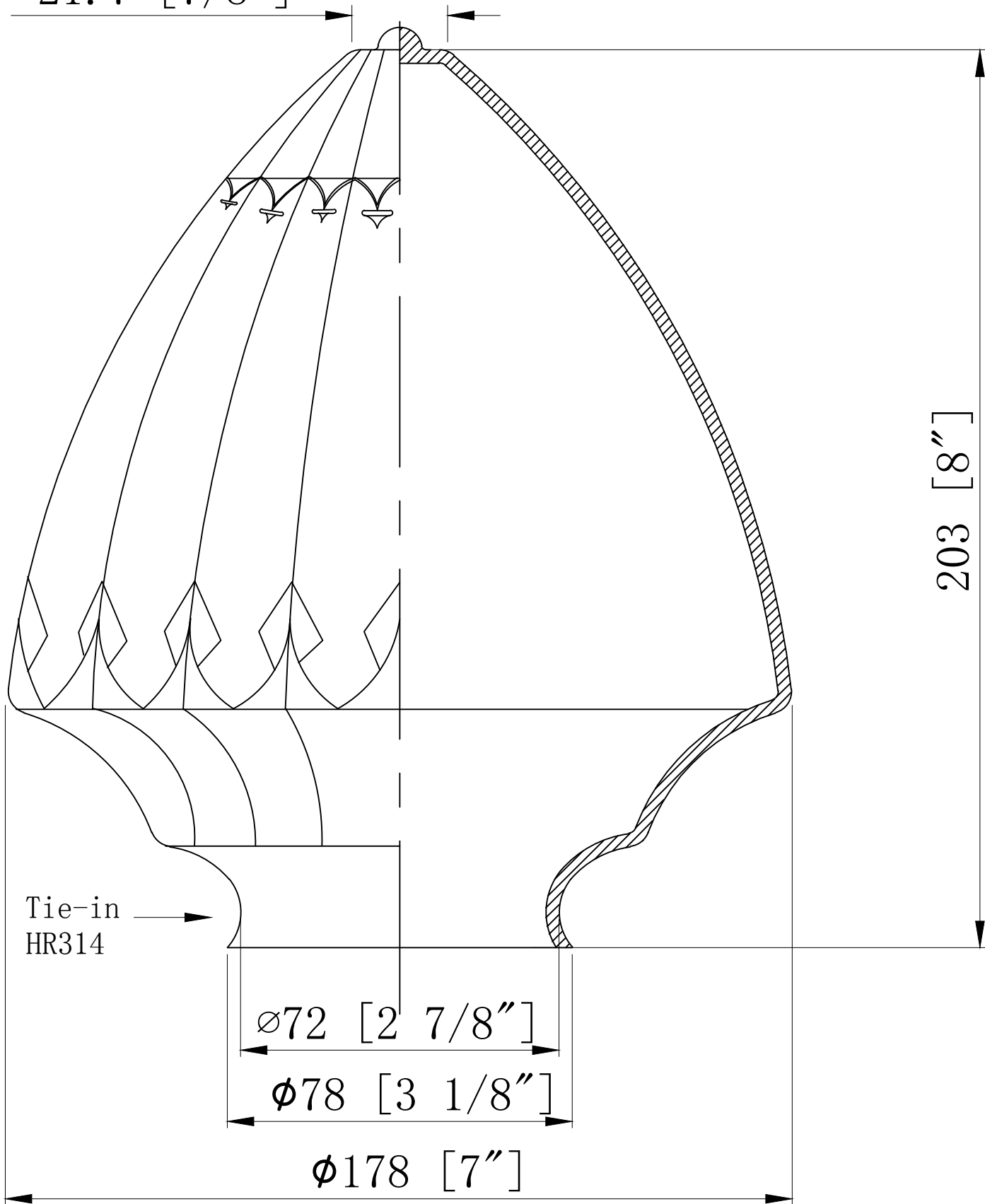


$\phi 21.7$ [7/8"]



203 [8"]

Tie-in
HR314

$\phi 72$ [2 7/8"]

$\phi 78$ [3 1/8"]

$\phi 178$ [7"]