

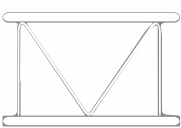


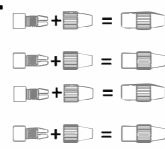


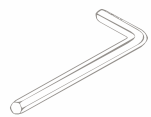
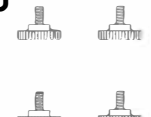

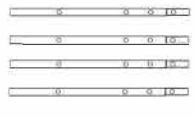
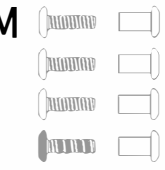
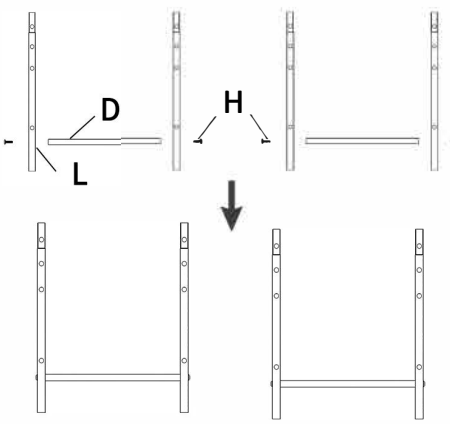
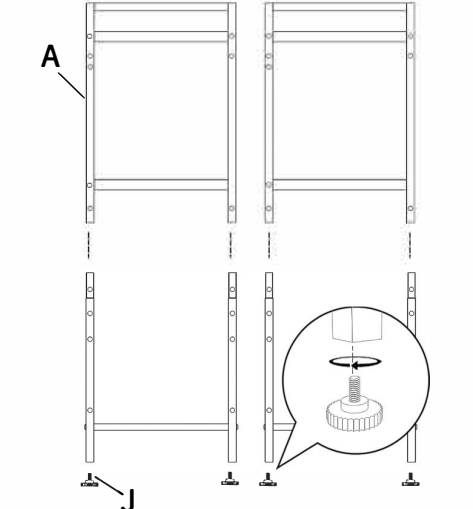


Installation Instruction

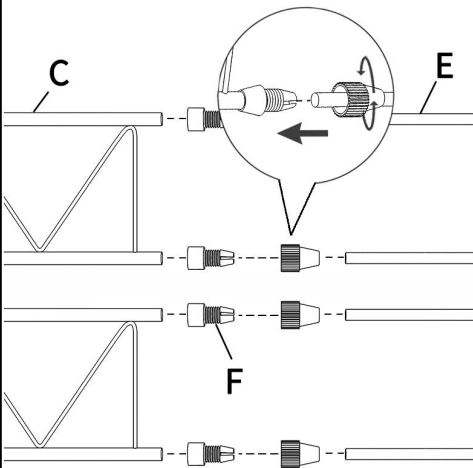
A  Bracket x 2	B  Adjustable Board x 2 Sets	C  M-shaped Bracket x 2	D  Long Round Tube x 2	E  Short Round Tube x 4	F  Connector x 4 sets	
G  Long Screws x 16	H  Short Screws x 4	I  Allen Wrench x 1	J  Foot Pad x 4	K  Hook x 3	L  Square Tube x 4	M  Screw Set x 4



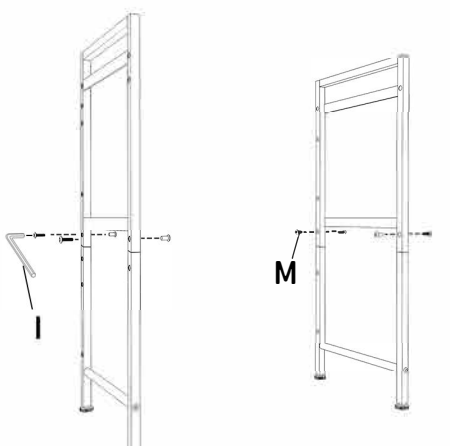
1. Fix the long round tube **D** and the square tube **L** with short screws **H** to form an H-shaped bracket.



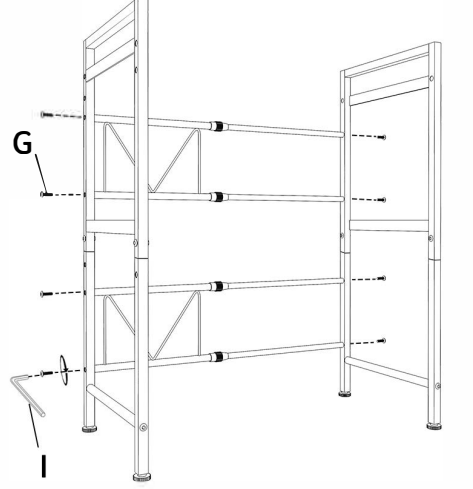
2. Install the foot pads **J** on the bottom of the H-bracket and connect it to the bracket **A**.



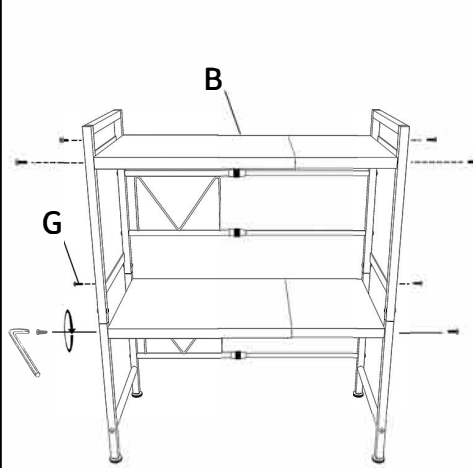
3. Connect the M-shaped bracket **C** and the short round tube **E** with the connector **F**.



4. Connect bracket **A** and H-bracket by screw set **M**.
 (PS. If you want to install the adjustable board at this height, you can use the long screw **G** to connect the board to the bracket, no need to use the screw set **M**)



5. Connect the assembled M-shaped bracket to the bracket through the long screw **G**.



6. Connect the adjustable board **B** to the bracket through the long screw **G**.