

---

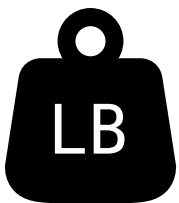
**NOTE:**

This brochure contains IMPORTANT safety info. Please read and keep for future reference.

---

# MAINTAINANCE AND WARNING

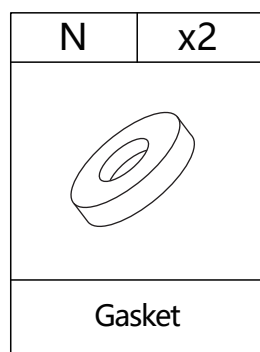
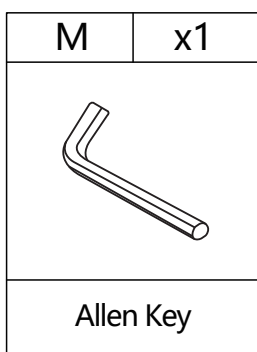
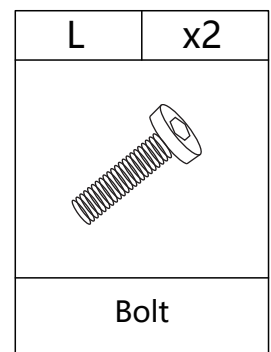
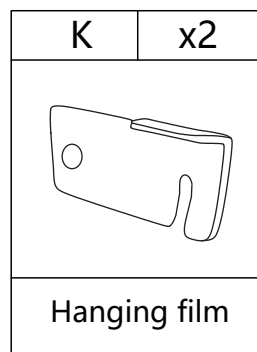
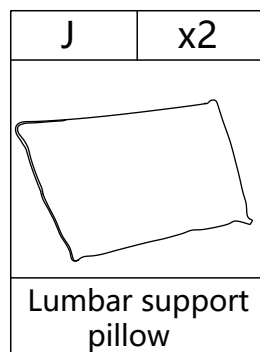
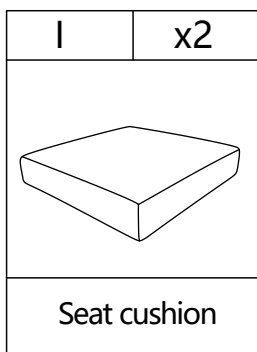
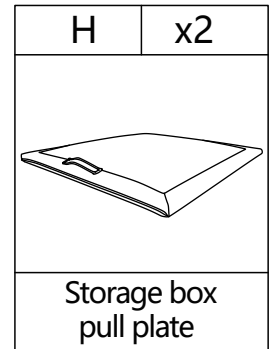
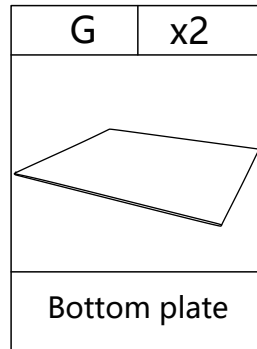
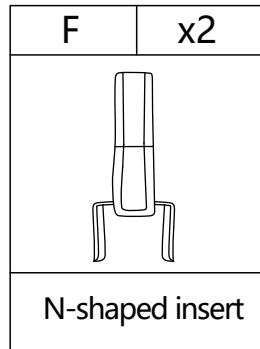
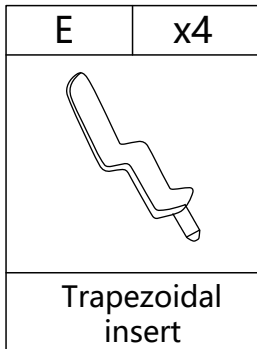
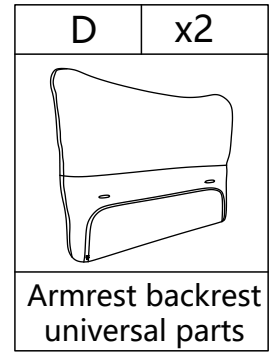
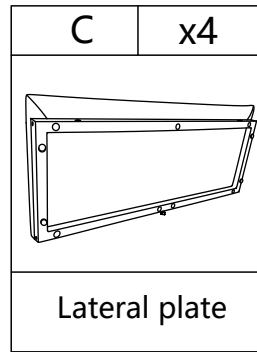
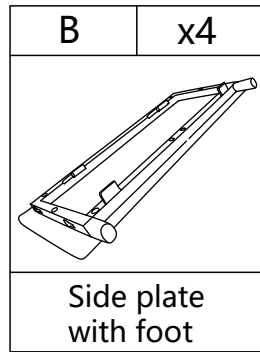
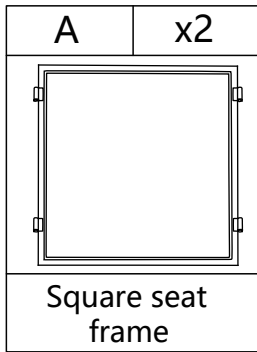
- 1.Keep furniture away from heat sources.
- 2.Do not clean furniture with harsh cleaner or polishes.Do not use detergents,solvents,abrasives,spray packs or leather cleaner. Use non-color mild soa with warm water to clean spills(Mix 1:10 soap to water).
- 3.Do not place furniture under direct sunlight,material will possibly fade over time.
- 4.Do not use on site dry cleaning machine.Children should not climb or jump on the furniture.
- 5.Do not write on furniture that is not protectedby a padded barrier.
- 6.Not for commercial use,only for residential use.



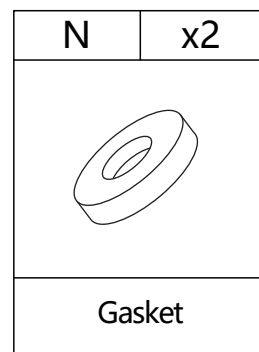
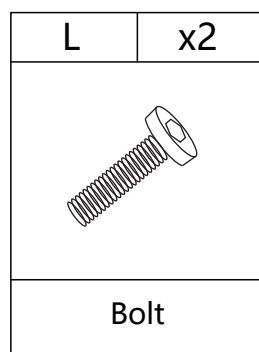
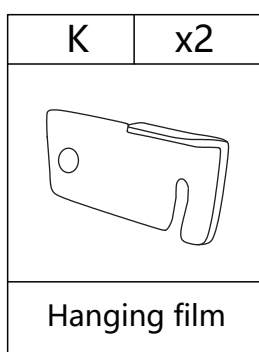
Per Seat Weight  
Limitation

**300 LBS**

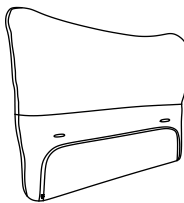
# PARTS LIST BOX B

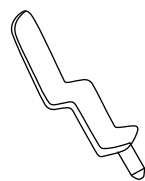


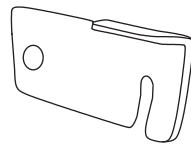
# SPARE PARTS LIST

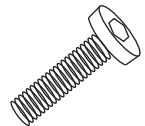


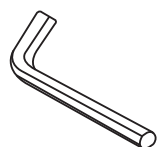
# PARTS LIST BOX A


D	x2
	
Armrest backrest universal parts	

E	x4
	
Trapezoidal insert	

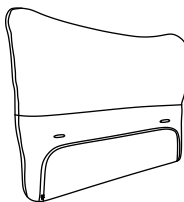
K	x2
	
Hanging film	

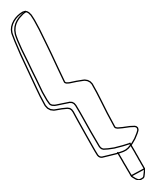
L	x2
	
Bolt	

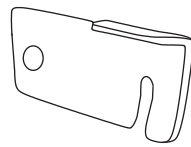
M	x1
	
Allen Key	

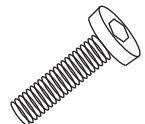
N	x2
	
Gasket	

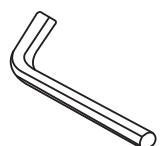
# PARTS LIST BOX C


D	x1
	
Armrest backrest universal parts	

E	x2
	
Trapezoidal insert	

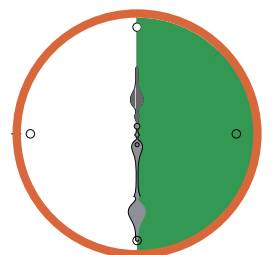
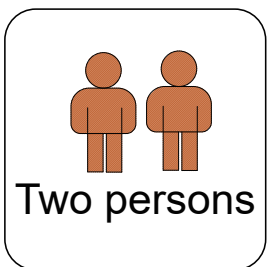
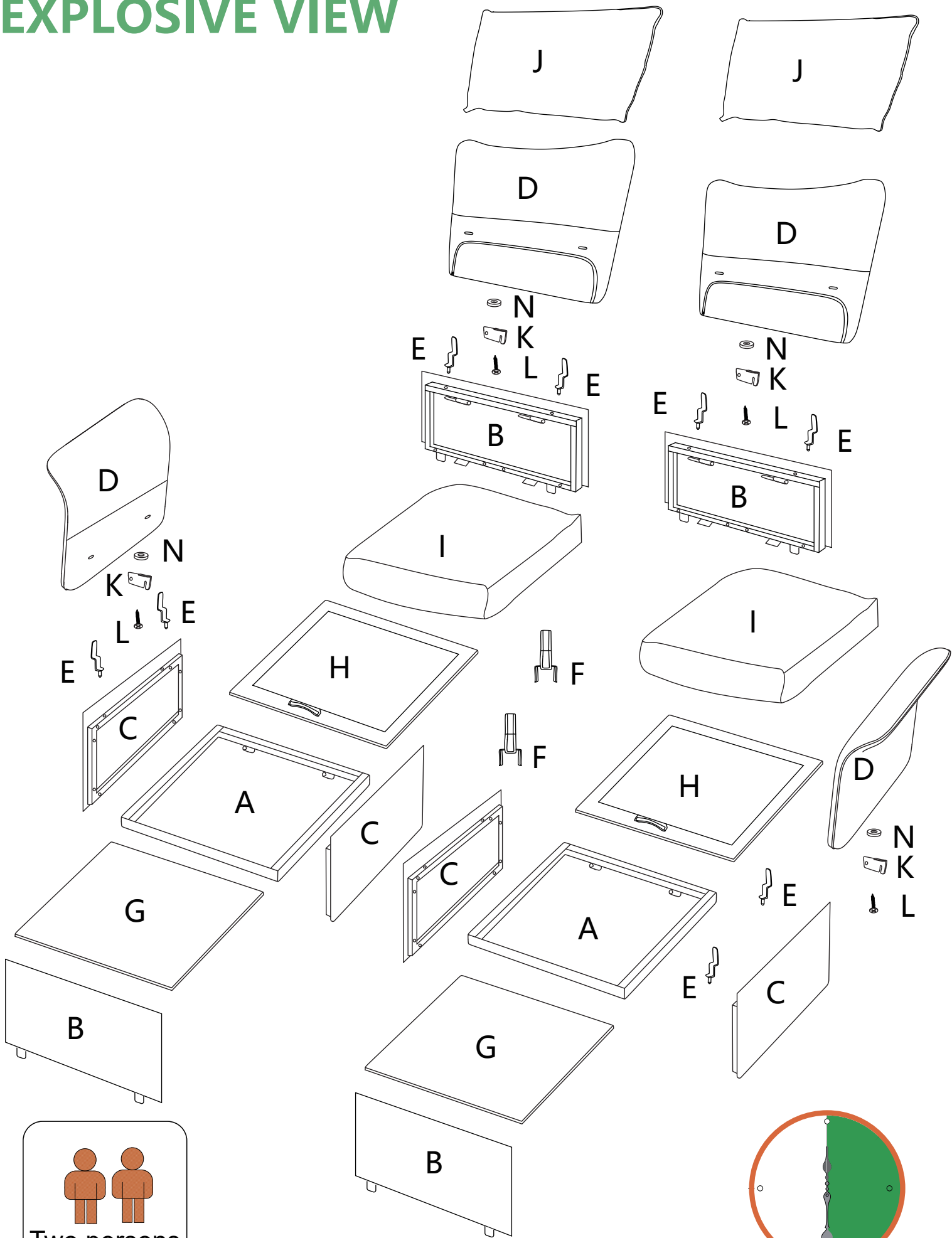
K	x1
	
Hanging film	

L	x1
	
Bolt	

M	x1
	
Allen Key	

N	x1
	
Gasket	

# EXPLOSIVE VIEW

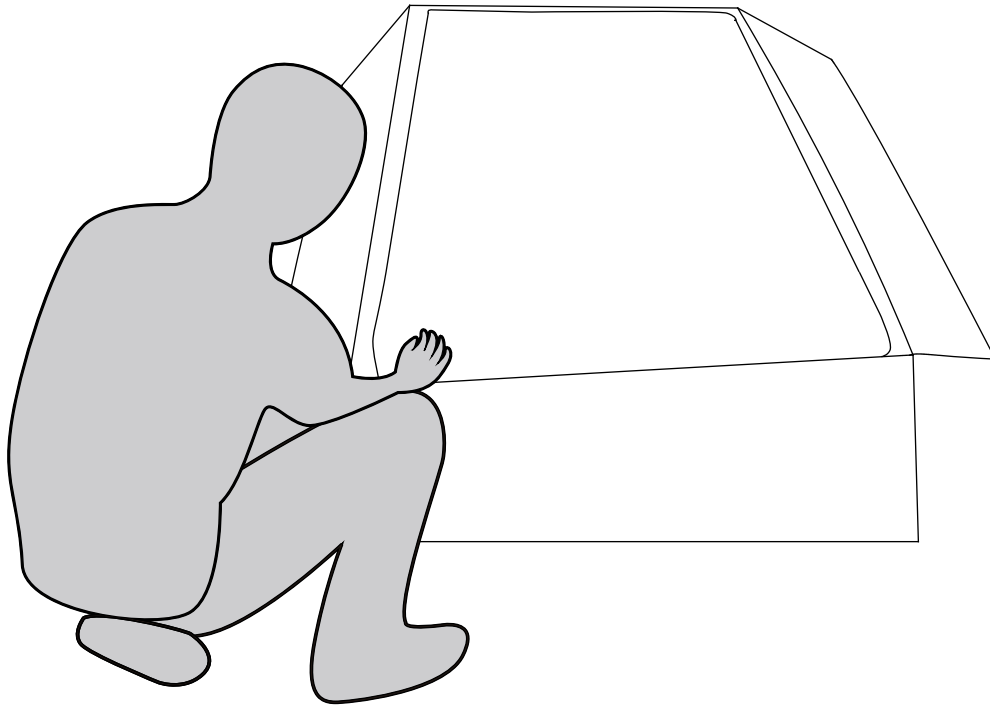


Around 30 min  
05/18

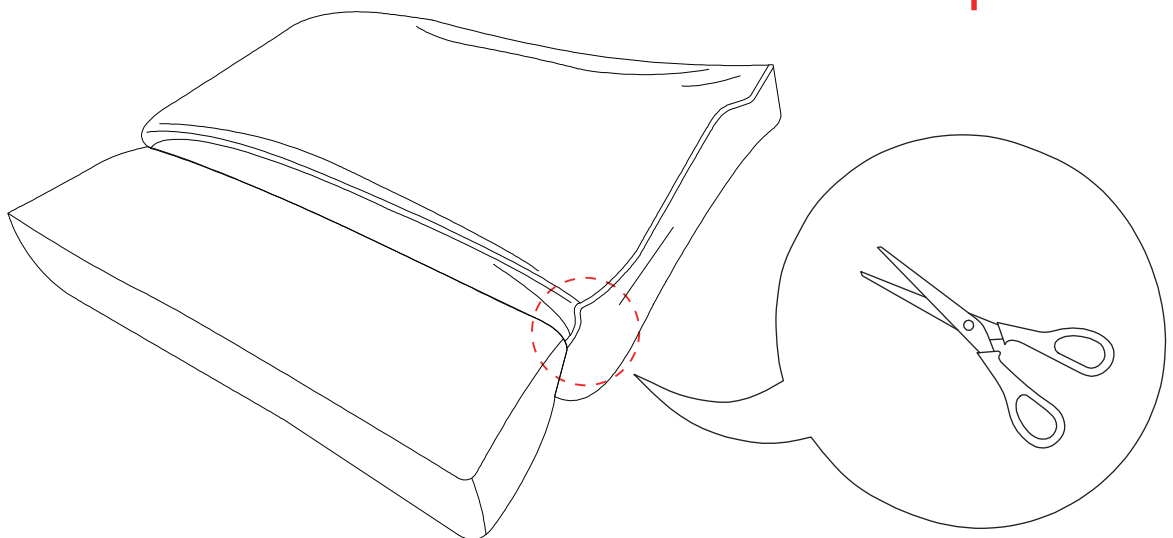
# ASSEMBLY INSTRUCTIONS

## STEP-1

When you open a carton and take out the compressed packaging bag inside, cut it with scissors and wait for the sponge to bounce back.



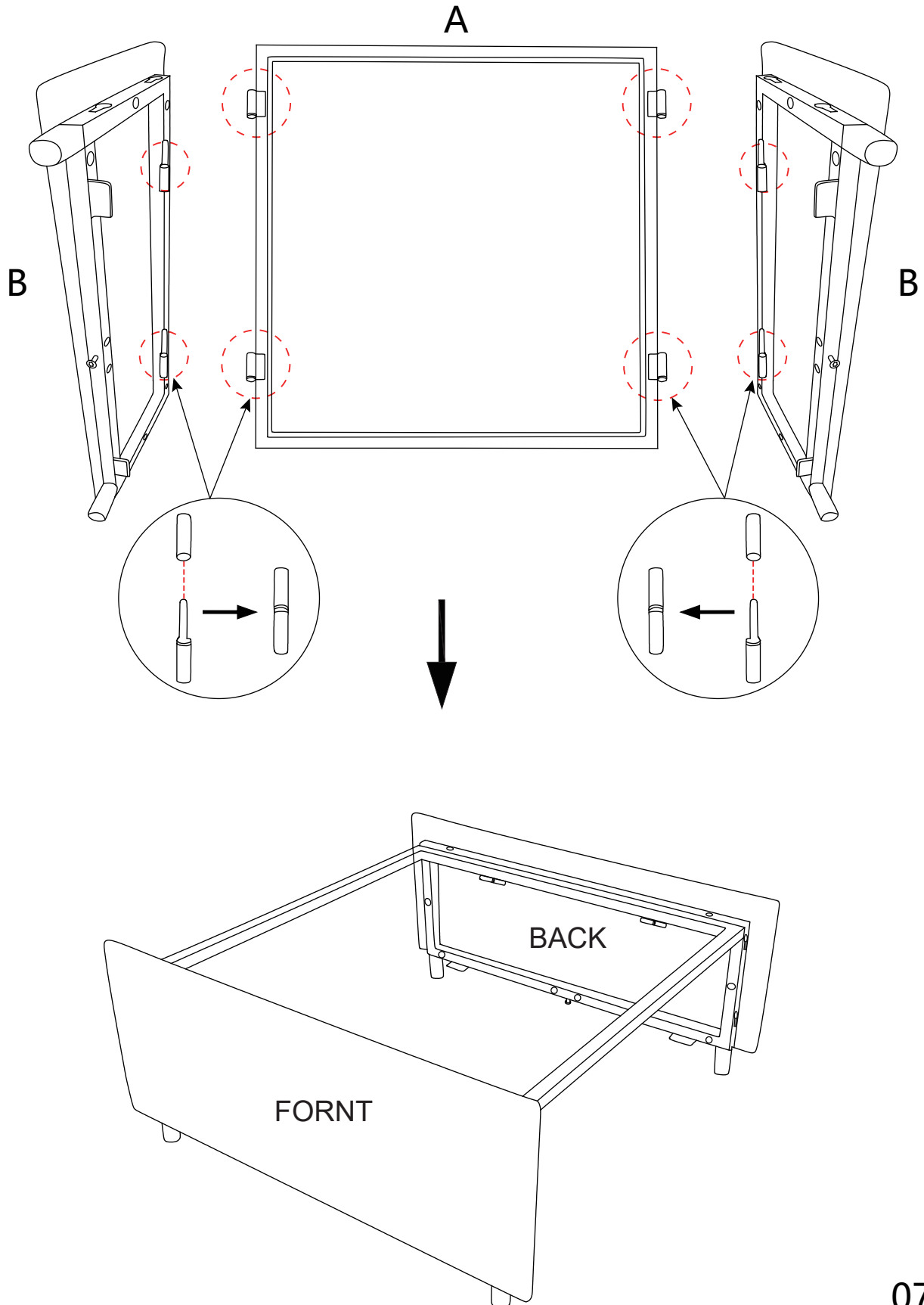
**Warning: Do not cut the product**



# ASSEMBLY INSTRUCTIONS

## STEP-2

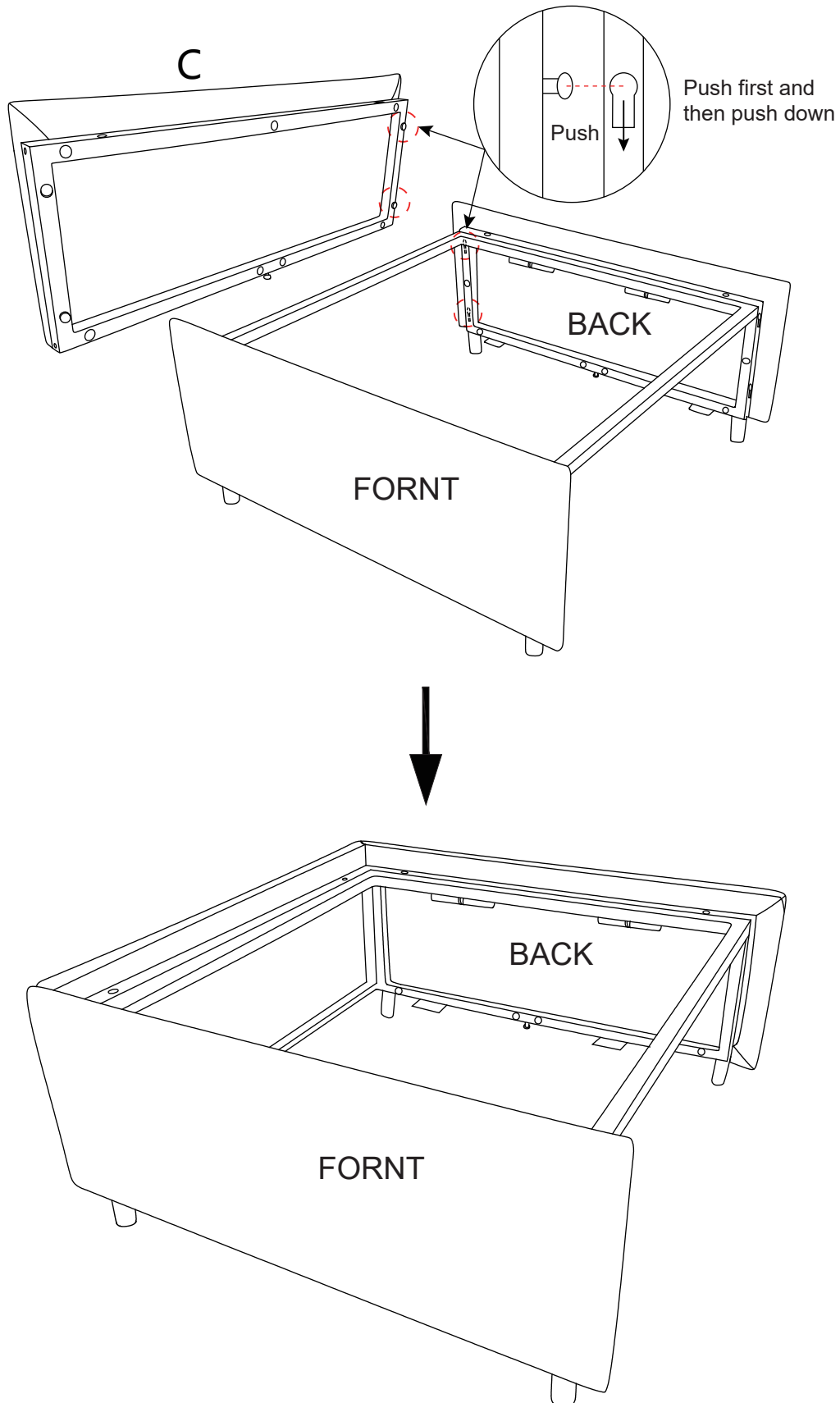
Insert the plug-in in the red circle of the square mount (A) into the red circle of the side panel with feet (B).



# ASSEMBLY INSTRUCTIONS

## STEP-3

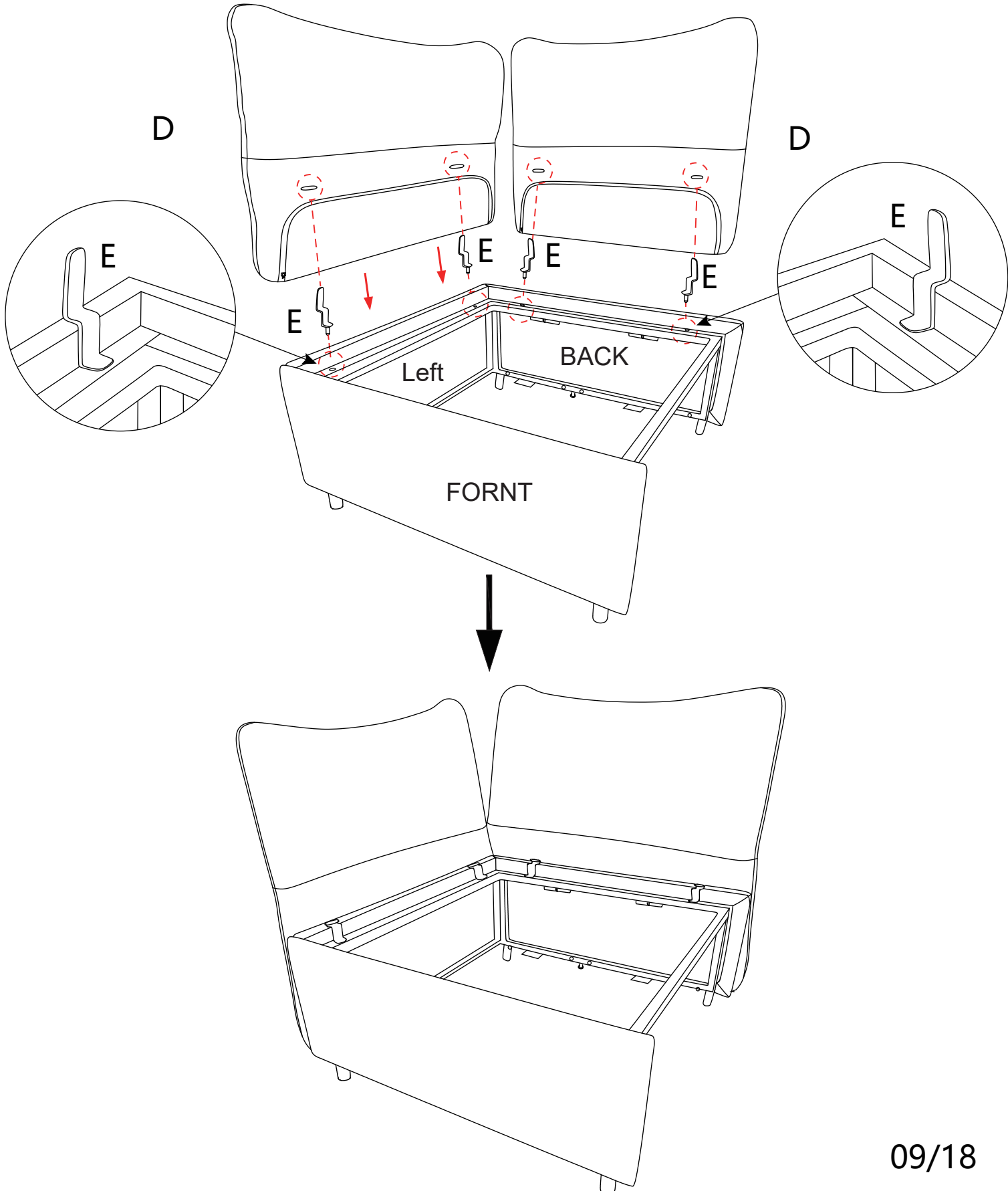
Press the insert at the red circle of one side panel (C) into the red circle of the side panel with feet (B) and press the side panel (C) firmly down until they are parallel.



# ASSEMBLY INSTRUCTIONS

## STEP-4

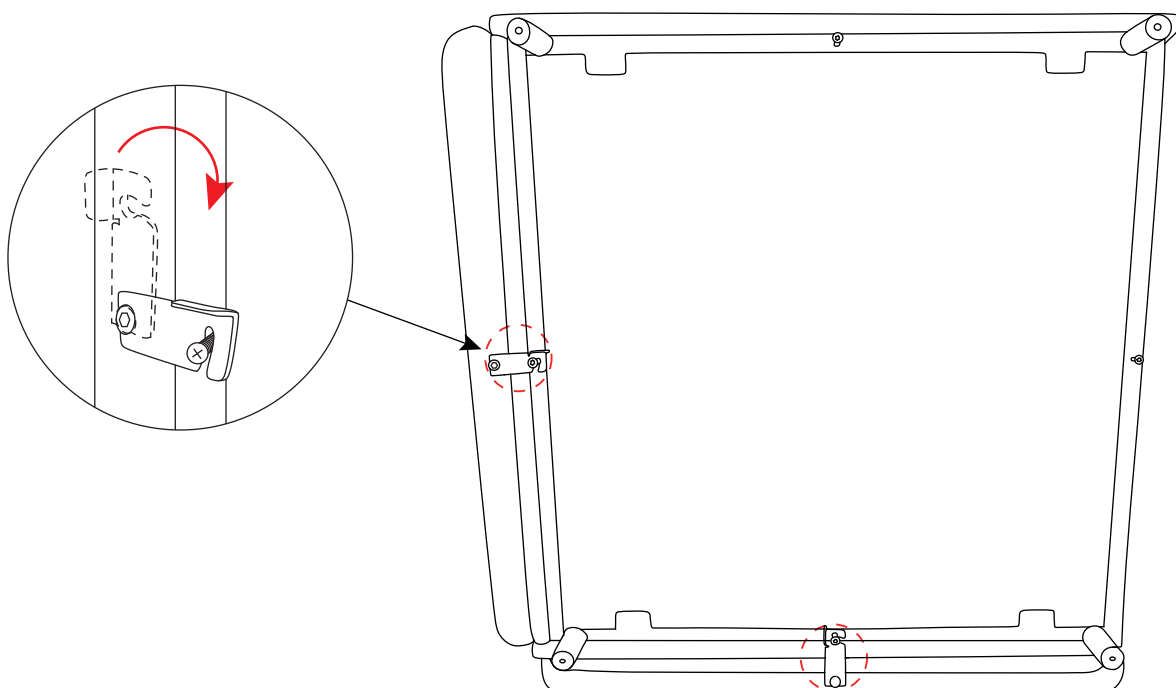
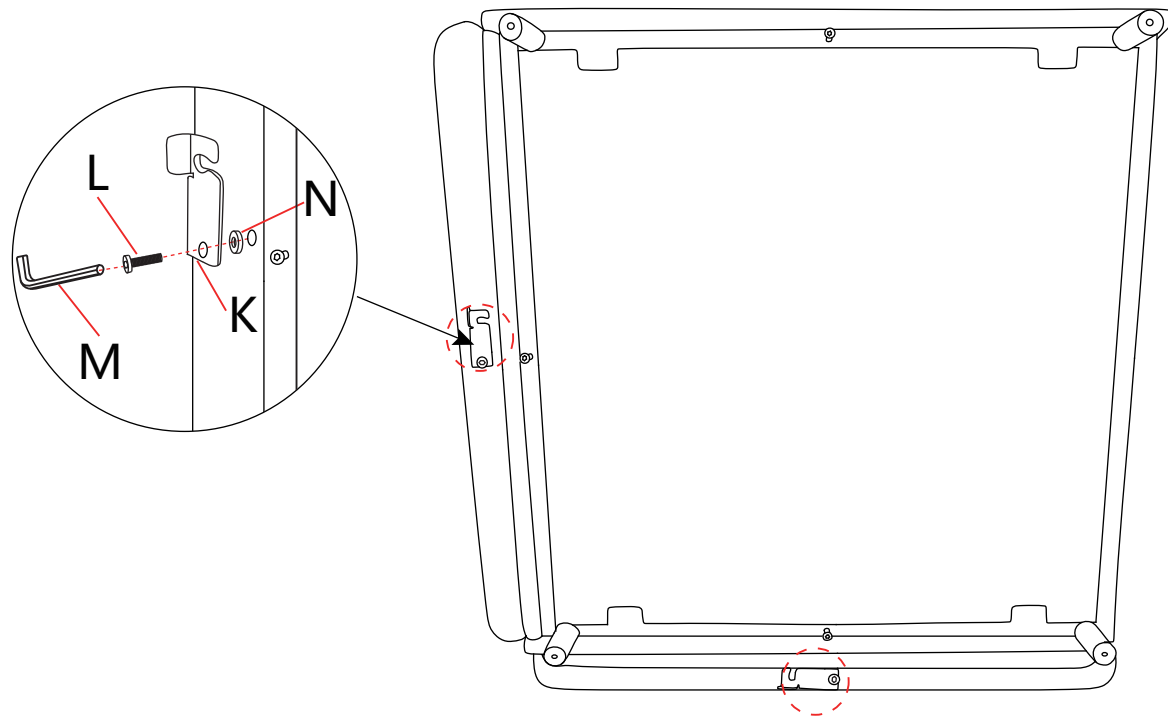
First, insert the trapezoidal plug (E) into the hole marked by the red circle. After completion, insert the hole marked by the red circle of the armrest and backrest universal part (D) above the trapezoidal plug (E).



# ASSEMBLY INSTRUCTIONS

## STEP-5

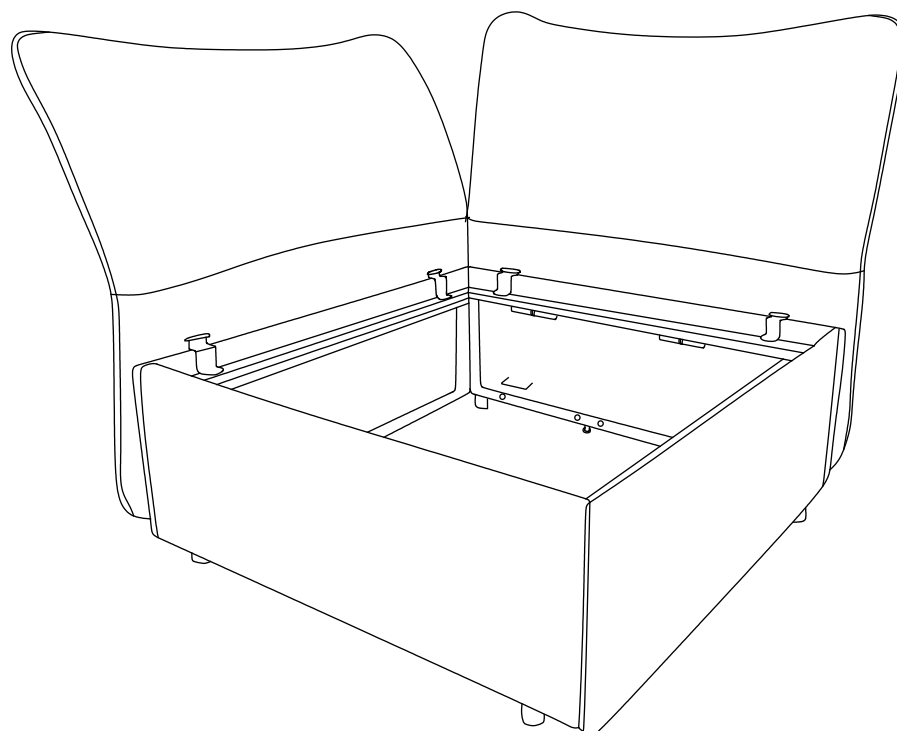
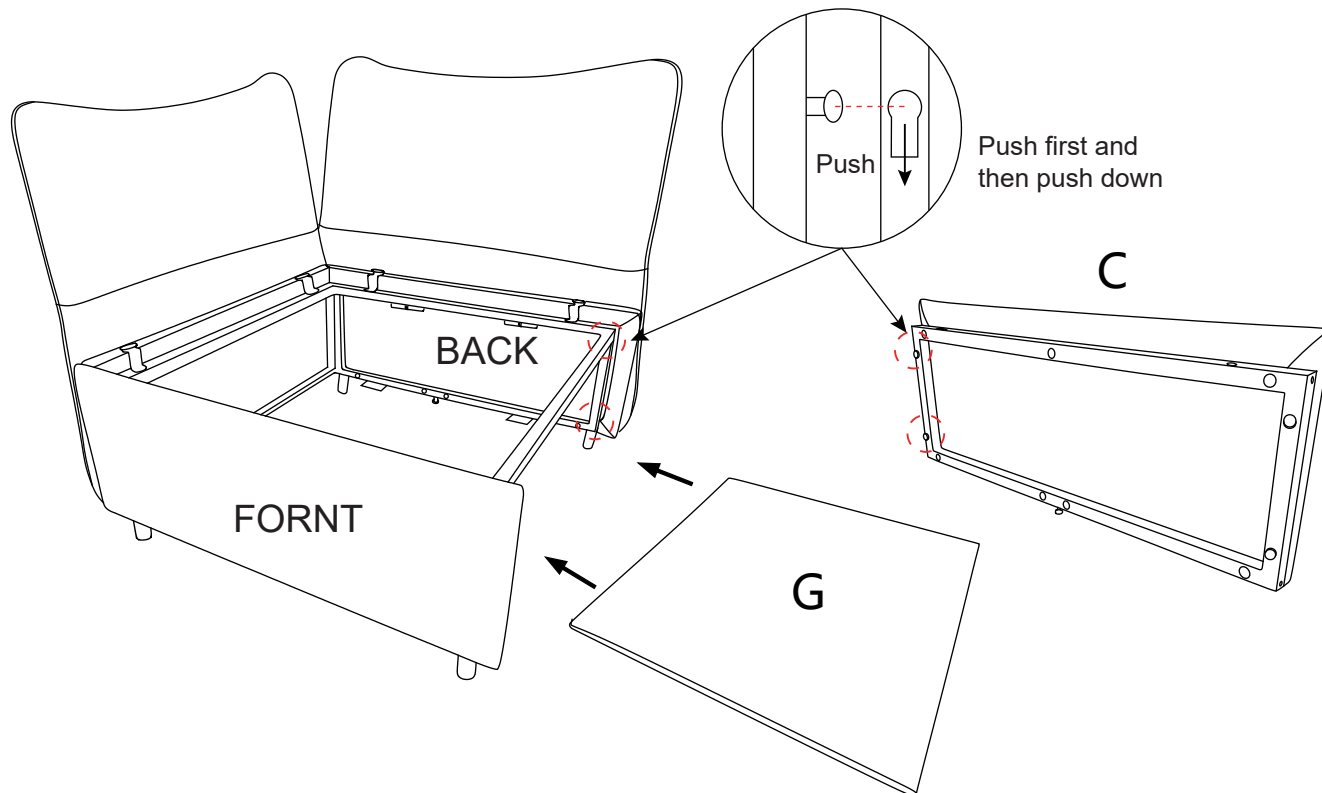
Flip the sofa to the bottom and install the hanging piece (K) at the red circle, then tighten with a wrench. Note: Installation is required using a gasket (N).



# ASSEMBLY INSTRUCTIONS

## STEP-6

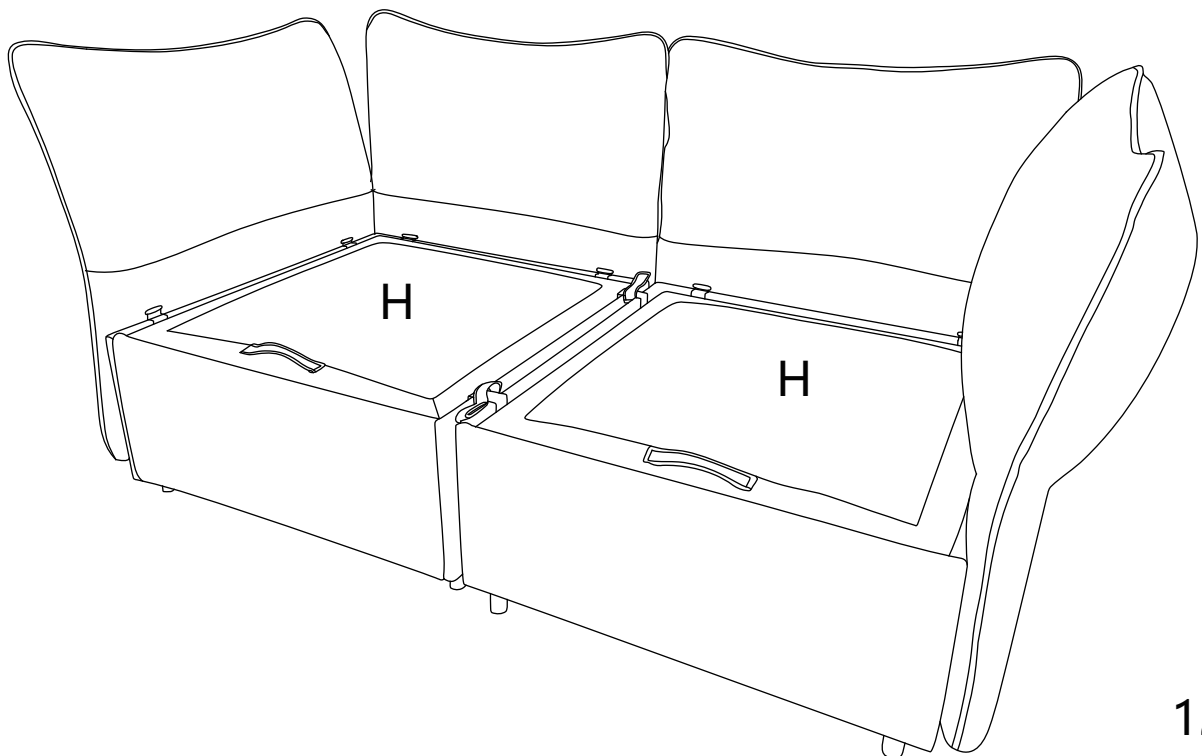
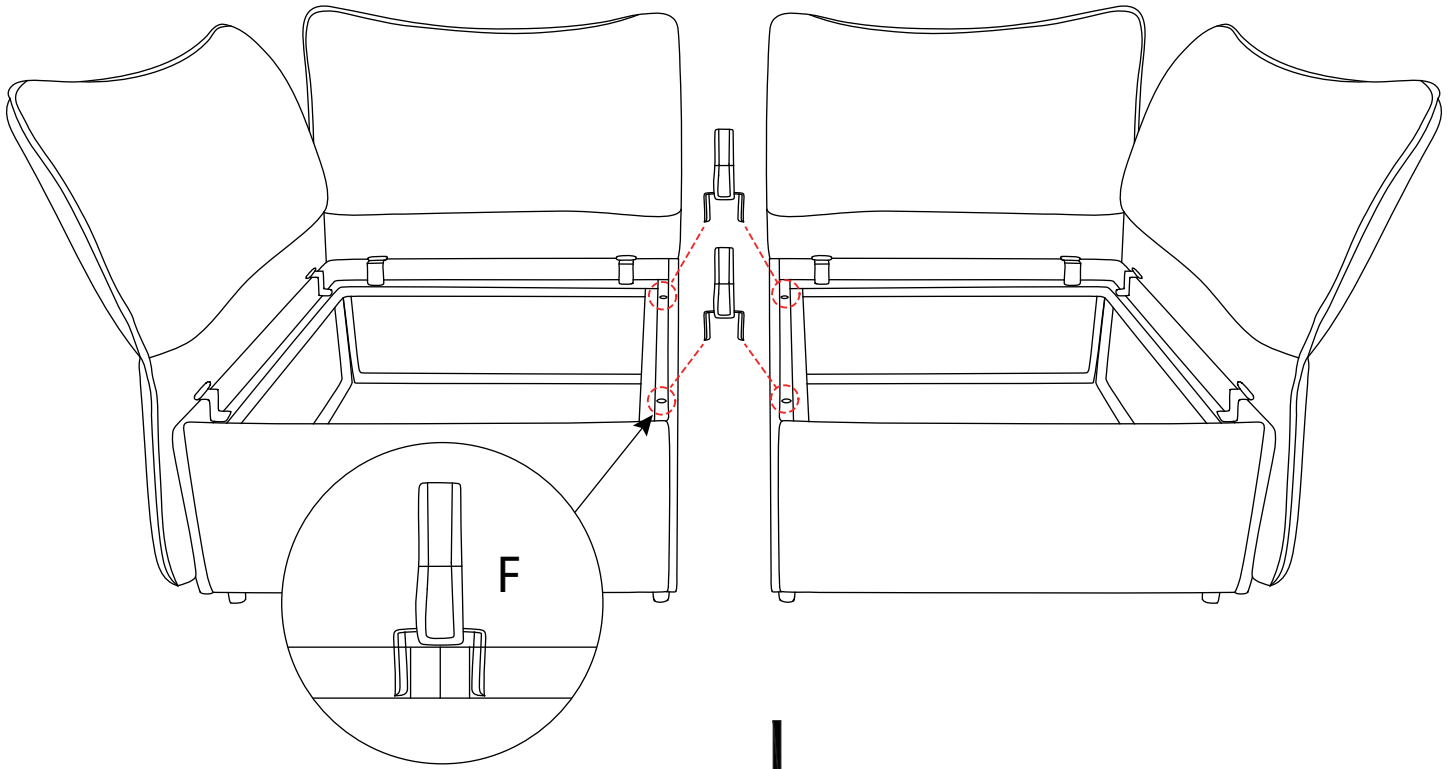
Place the bottom plate (G) into the bottom of the seat as shown and install the other side plate (C) in the same manner as in step 3.



# ASSEMBLY INSTRUCTIONS

## STEP-7

Place the two installed sofas together, insert the M-shaped plug (F) at the red circle, and then place the storage box pull plate (H).



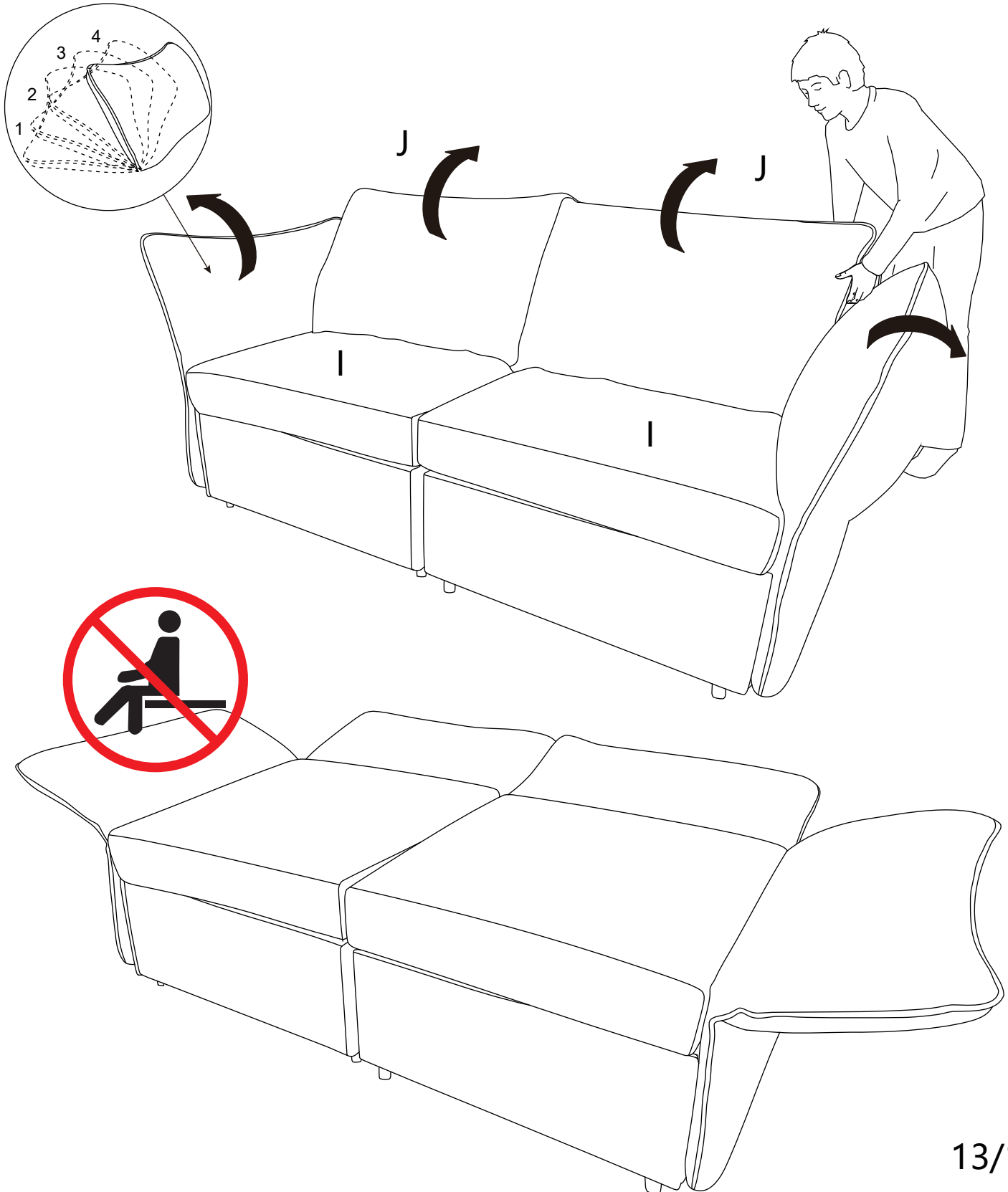
# ASSEMBLY INSTRUCTIONS

## STEP-8

Step 1: Firmly lift the armrest beyond the max angle and hearing the mechanism's clicks.

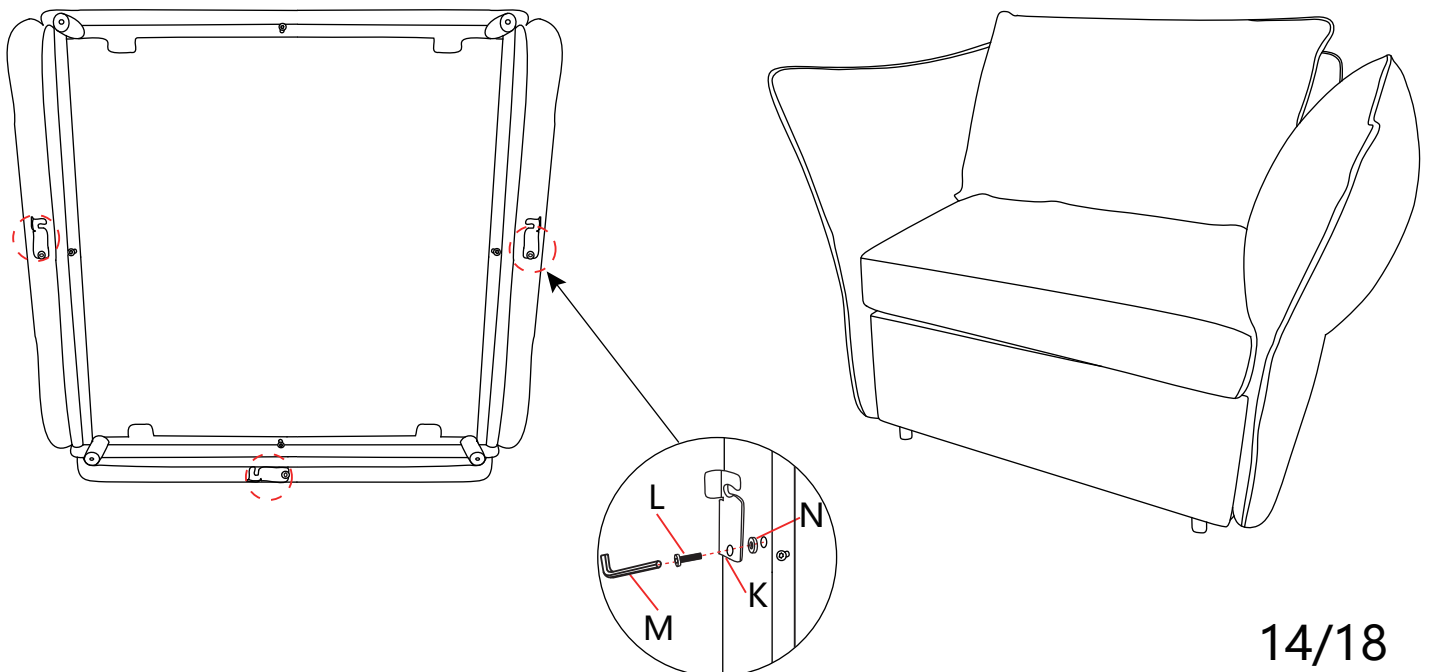
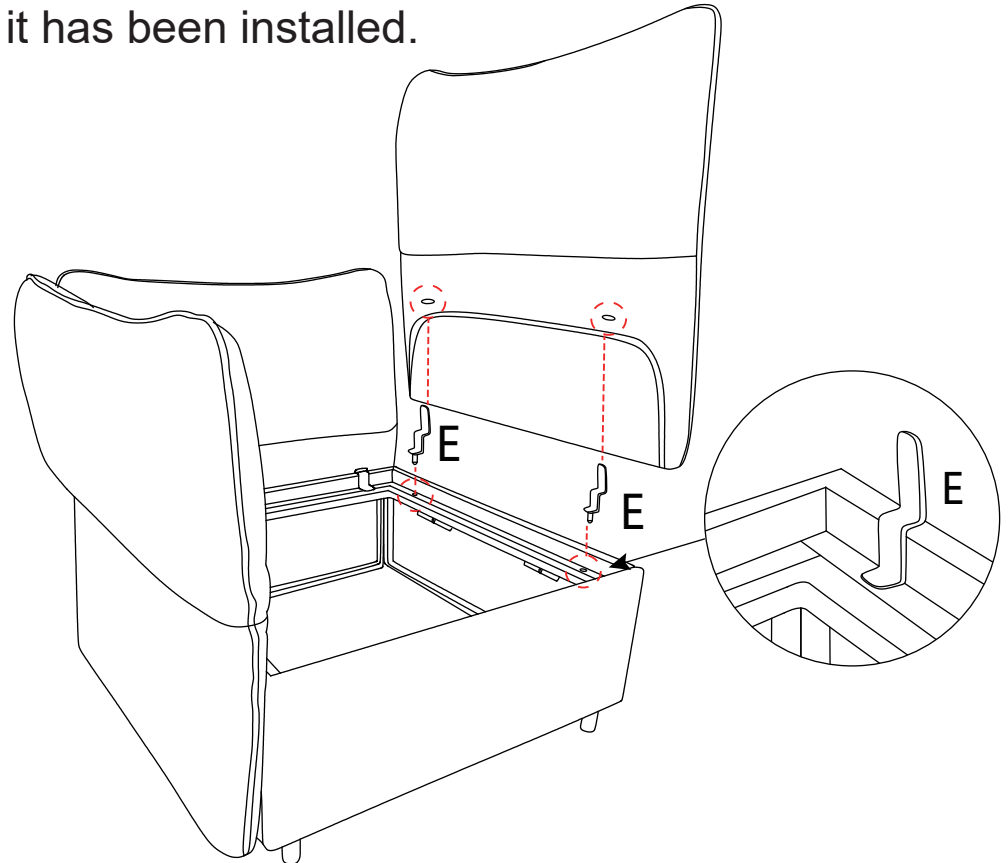
Step 2: Firmly push all the way down to engage the locking mechanism.

Step 3: Left armrest to the desired height.



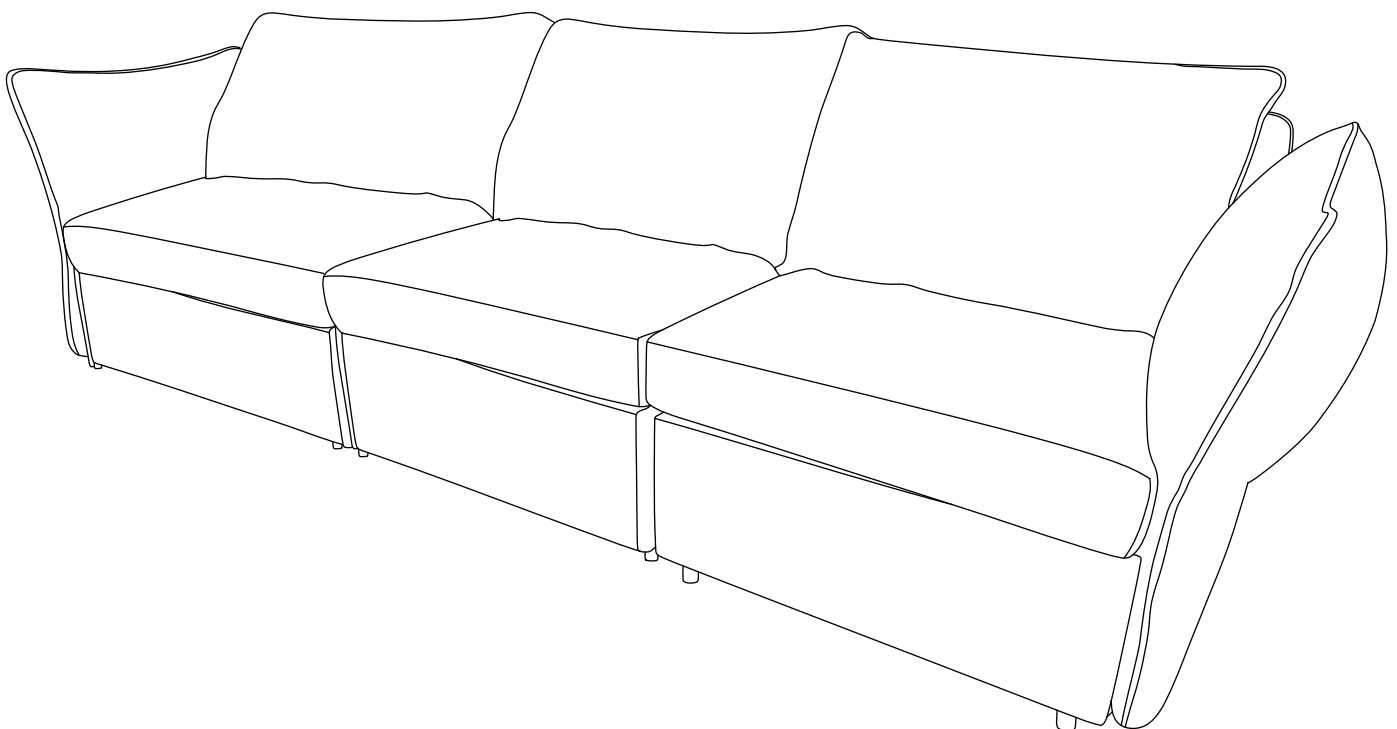
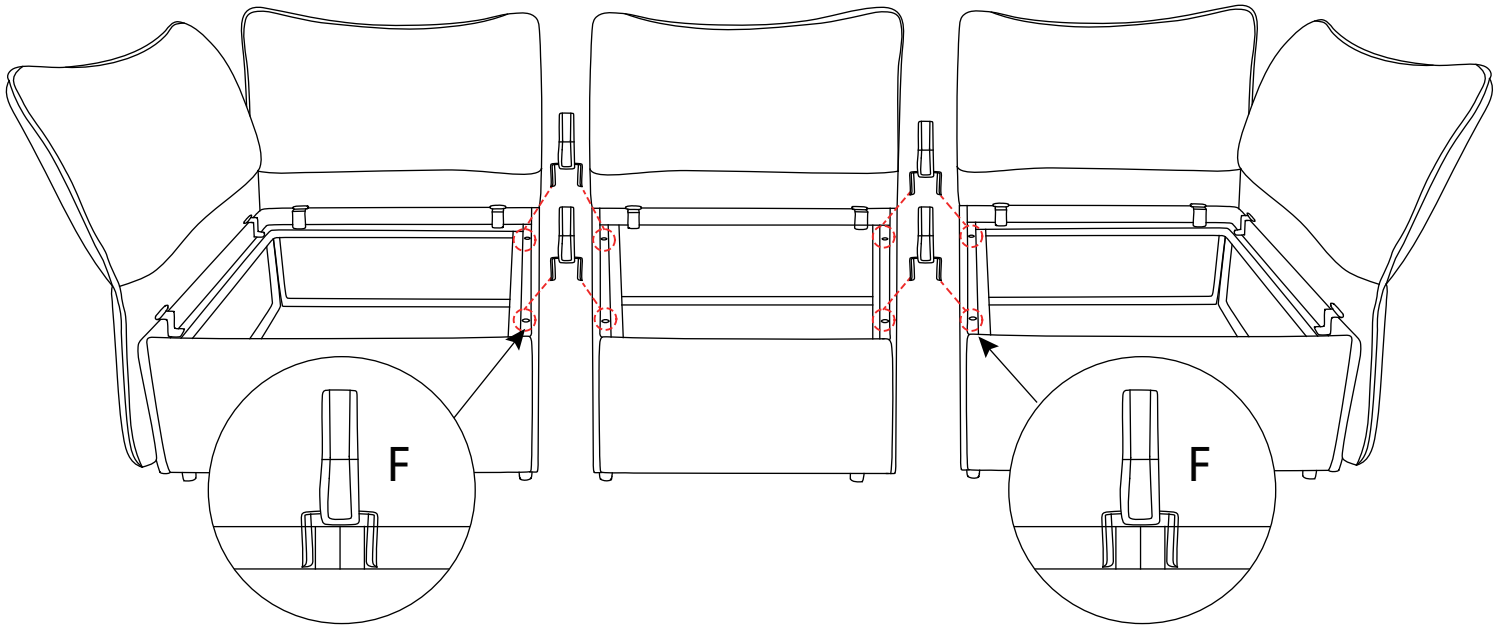
# SINGLE SEAT SOFA

This product can be combined into a single seat, simply install the other armrest backrest universal component (D) using the same installation method as in step 5. The Hanging film needs to be fastened all the way to the bottom after it has been installed.



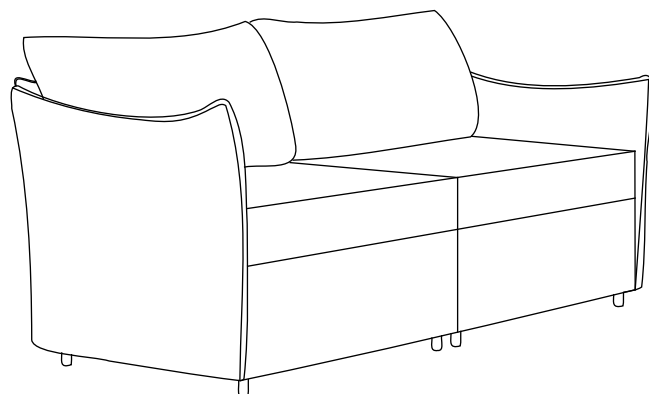
# THREE SEATER SOFA

This product can also be combined into a three person seat, simply place a single seat in the middle (without installing armrests and backrests on both sides) and install N-type fasteners.

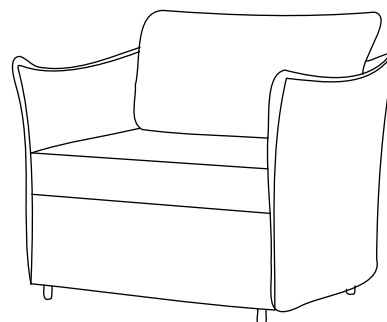
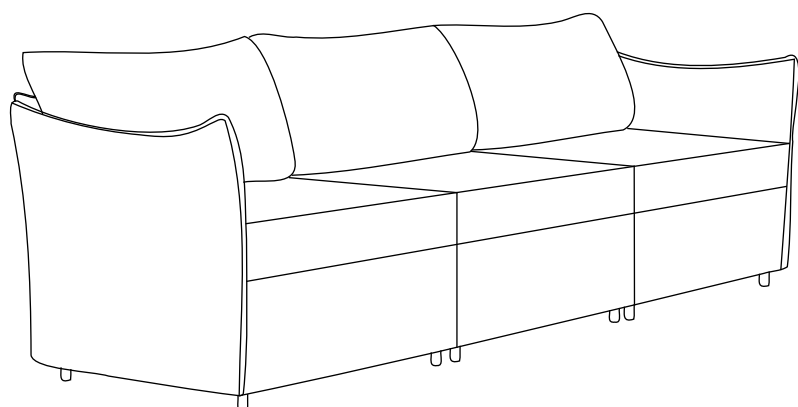


# MULTI SEAT SOFA

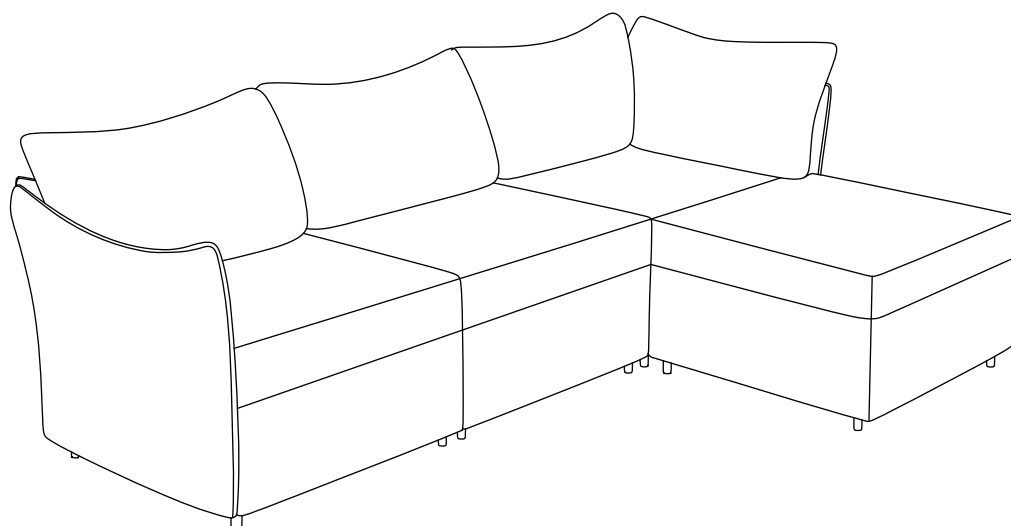
This product also has a variety of combinations can be combined according to the number of products purchased, the installation method is the same.



1 BOX B+1 BOX A



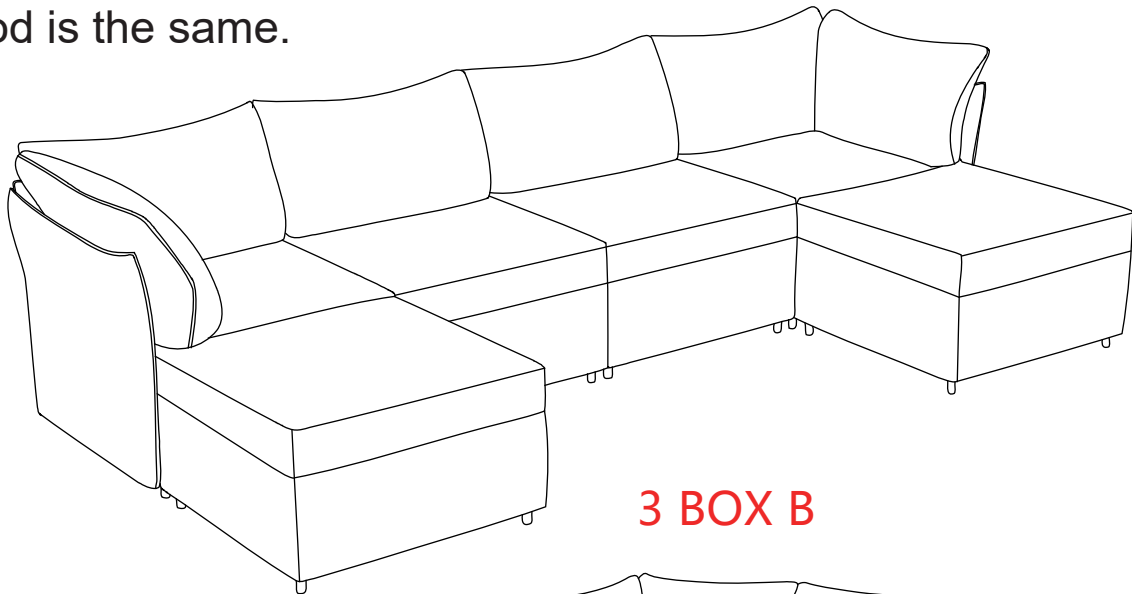
2 BOX B+2 BOX A



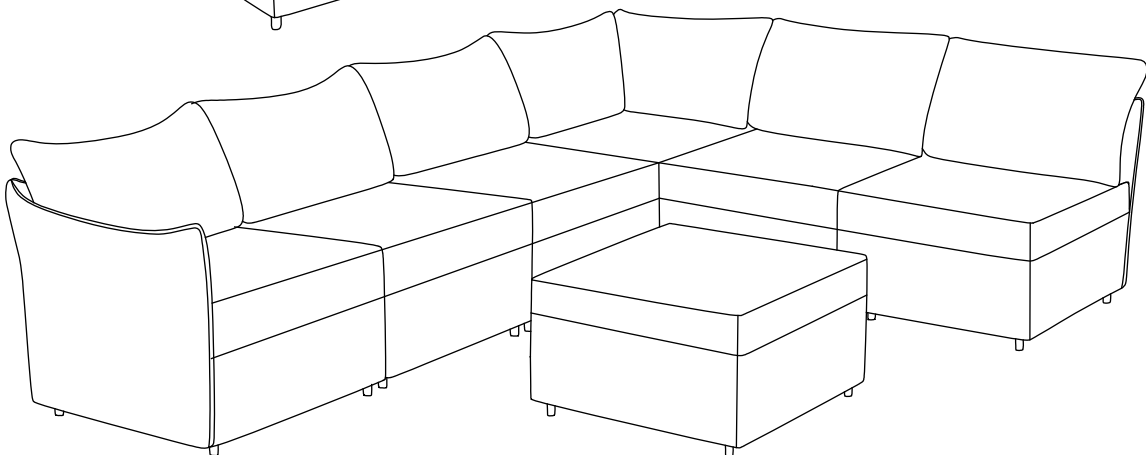
2 BOX B+1 BOX C

# MULTI SEAT SOFA

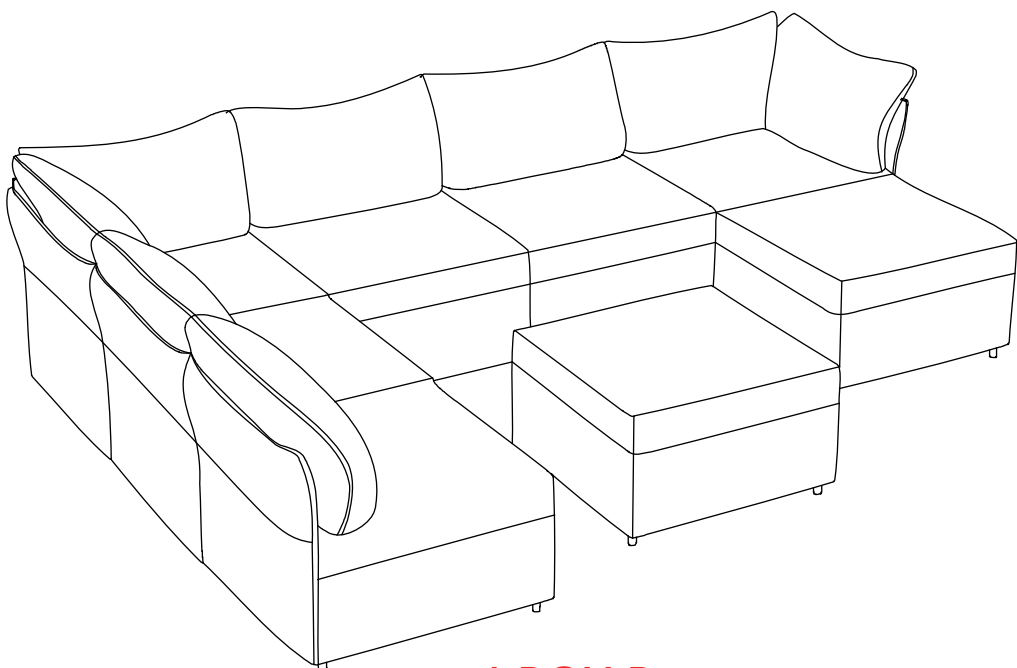
This product also has a variety of combinations can be combined according to the number of products purchased, the installation method is the same.



3 BOX B



3 BOX B+1 BOX A



4 BOX B

# WARRANTY

1. We strive to offer high-quality products, and we also try our best to satisfy each and every customer that orders from us with product or service as needed.
2. We provide 30 days warranty starting from the time you receive the item. Each customer must provide a record of their order such as the order number, or item receipt for any items that are out of the warranty period you may also still receive.
3. Replacement parts by purchasing them with our company if they are available.

Are you having difficulty  
With assembly? Missing parts?  
Please send email with your order No to

For return, please check the return policy with  
the retailer or market place you bought from.

Appreciate your purchasing from us.  
Pop up your life by our furniture piece!