

TV Stand Media Console



60 MIN
ASSEMBLY TIME

2 PEOPLE
REQUIRED FOR ASSEMBLY

2 x 1 m
FLOOR SPACE REQUIRED

ASSEMBLY & INSTRUCTION MANUAL

SAFETY PRECAUTIONS

PLEASE READ ALL INSTRUCTIONS CAREFULLY BEFORE ASSEMBLING AND USING THE PRODUCT.

1. Please check that all parts are present before you start the assembly of your furniture. **A Philips head screwdriver (not included)** is required for the assembled of this product.
2. For ease and speed of assembly, we recommend that before you commence each step of the assembly, that you identify all the parts required for that step.
3. For larger items, please ensure that you have sufficient space and people to assemble your product safely.
4. We recommend that, where possible, all items are assembled near to the area in which they will be placed in use, to avoid moving the product unnecessarily once assembled.
5. For the protection of your furniture, we recommend that the product is placed on a protected surface during assembly to prevent any damage.
6. During assembly, Do not tighten bolts / screws completely until all bolts / screws are lined up and inserted into holes, Do not over tighten screws and bolts to avoid stripping, Do not use power tools
7. Always place the product on a flat, steady and stable surface.
8. Do not stand on the product. Do not use the product as a stepladder.
9. This product is intended for indoor, household use only as it is a non industrial product.

CARE AND CLEANING

- Please periodically check all fittings and re-tighten as necessary.
- To clean your item, please use a damp cloth and wipe clean.
- Never allow any kind of liquid to remain on your furniture. If liquid spills onto the product, please wipe clean as soon as possible.



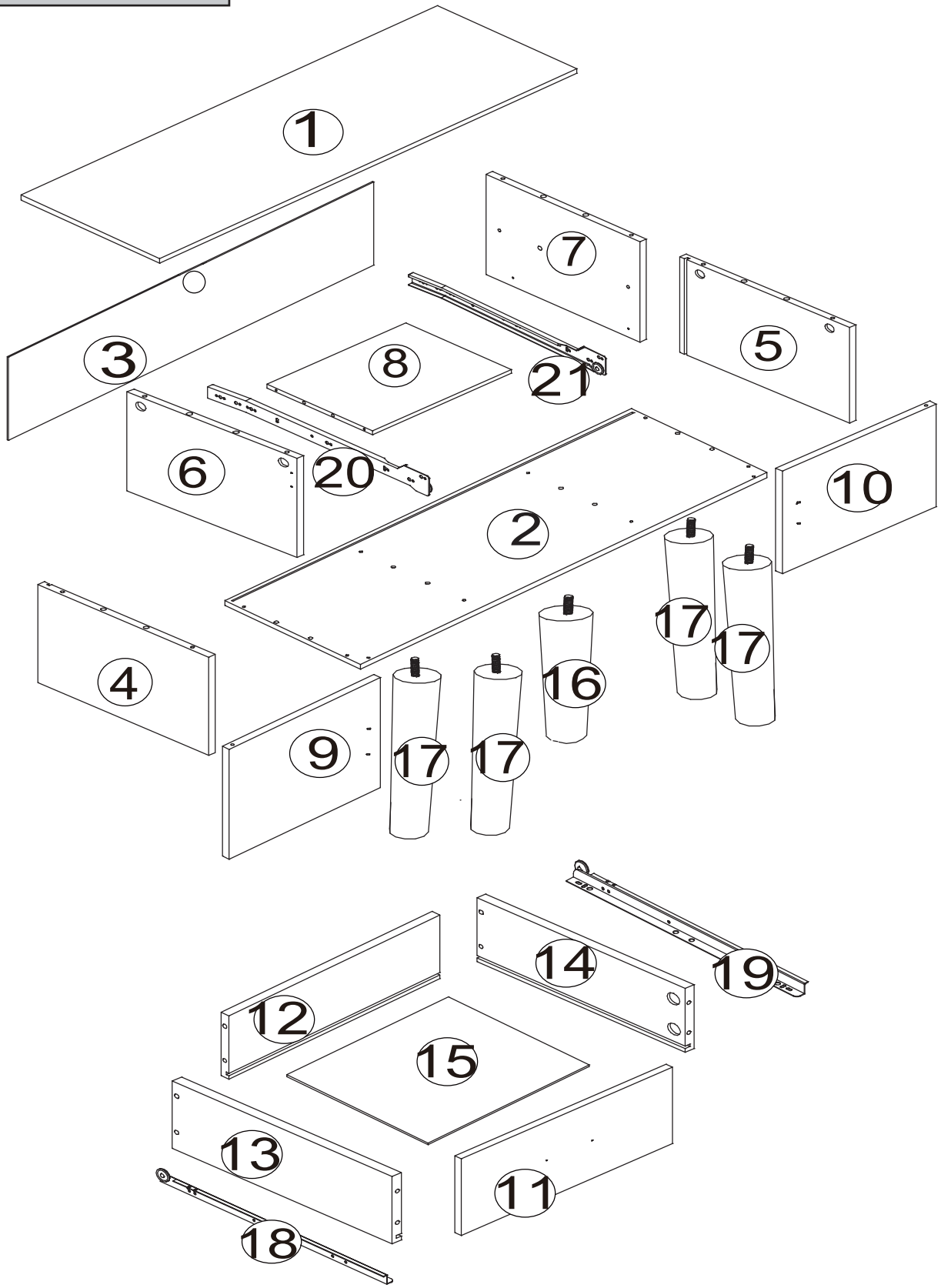
WARNING : ENSURE THE WALL STRAP IS ATTACHED TO
AVOID SERIOUS INJURY

To avoid any serious or fatal injury, this product has been fitted with a wall strap to prevent toppling. We strongly recommend that this product is permanently fixed to the wall or other suitable surface. Fixing devices are not included since different surface materials require different attachments. Please seek professional advice if you are in doubt of what fixing device to use.

Do not stand on the product. Do not climb on the product. Do not swing on the product.

READ AND SAVE THESE INSTRUCTIONS FOR FUTURE REFERENCE

ASSEMBLY DIAGRAM

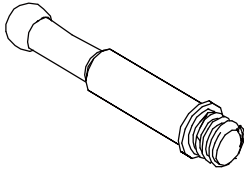

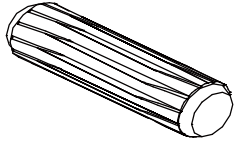
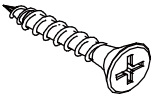
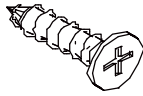
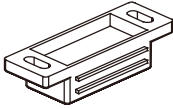

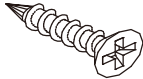
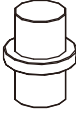
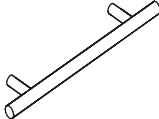
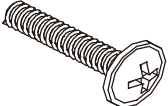
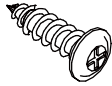
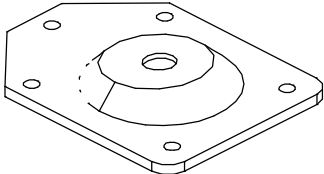
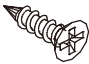



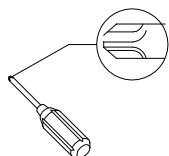
AFTER SALES SUPPORT

If you have any general enquiries or require spare parts for this product, please feel free to contact us

You can contact us for support at any time. We'll answer you in 24hrs.

HARDWARE LIST

 \varnothing 6x35mm Quickfit Screw A 16pcs	 Cam Lock B 16pcs	 \varnothing 6x30mm Wooden Dowel C 20pcs	
 \varnothing 4x35mm Screw D 12pcs	 \varnothing 3x12mm Screw E 8pcs	 magnet F 2pcs	 Metal Strike Plate H 2pcs
 \varnothing 3x14mm Screw I 4pcs	 Cabinet swing hinge J 4pcs	 Handle K 3pc	 \varnothing 4x20mm Bolt L 6pcs
 \varnothing 4x14mm Screw M 20pcs	 metal plate N 4pcs	 \varnothing 3x12mm Screw O 4pcs	 Foot pad P 5pcs



Philips head screwdriver required for assembly
(not included)

The hardware quantities listed above are required for proper assembly.
Some extra hardware may also have been included.

TIPS Before ASSEMBLY

IMPORTANT:

1. Do not tighten bolts / screws completely until all bolts / screws are lined up and inserted into holes.
2. Do not over tighten screws and bolts to avoid stripping.

What you need

- Some of your favourite fruits or your preferred snacks.
- Use the packaging carton as a working surface to prevent possible product damage during assembly.

Safety First, Fun Later

We want your Furniture Unit to last as long as possible, so we recommend that you tighten the screws 2 weeks after assembly, and for added safety, check the tightness of all screws every 2 months.

We do our best to ensure your Furniture arrives without any problems, but occasionally mistakes happen - as humans we are imperfect beings. In the event that a part is damaged or missing, we will be more than happy to provide you with replacement part(s) for free.

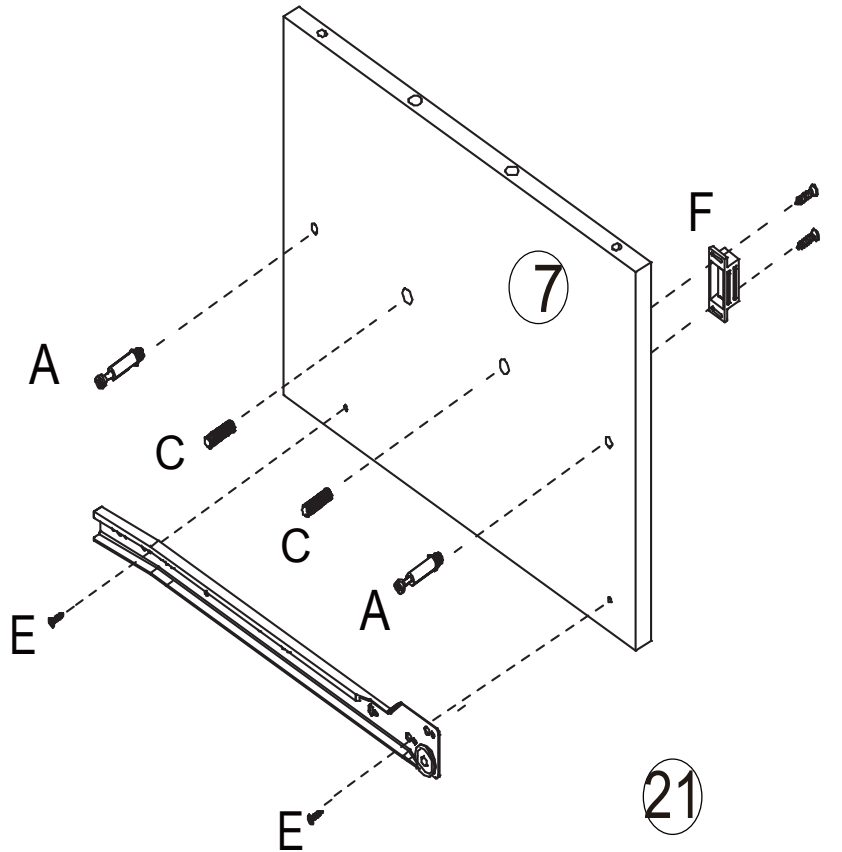
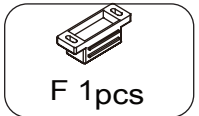
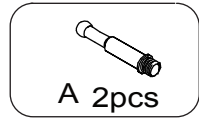
For more help, you can send a message to our customer support

Ready? Ok, let's get rolling!

This should be very easy, just follow our simple instructions step by step and you will put it together in no time.

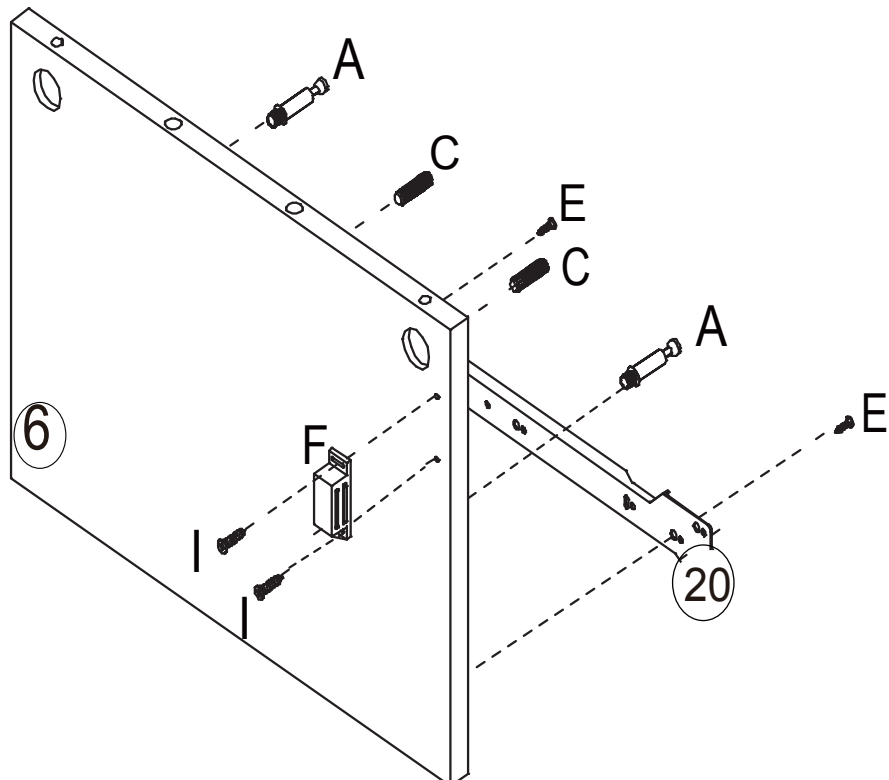
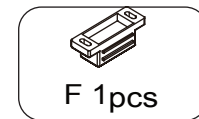
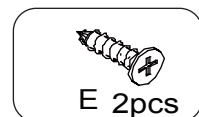
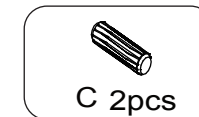
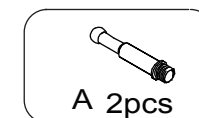
ASSEMBLY STEPS

Step 1



Insert 2 x wooden dowels (C) to panel (7) and secure 2 x quickfit screws (A) to this panel with a screwdriver. Attach drawer glide (21) to panel (7) using 2 x screws (E) with a screwdriver. Fix the magnetic door catch (F) to the other side of this panel using 2 x screws (I) with a screwdriver.

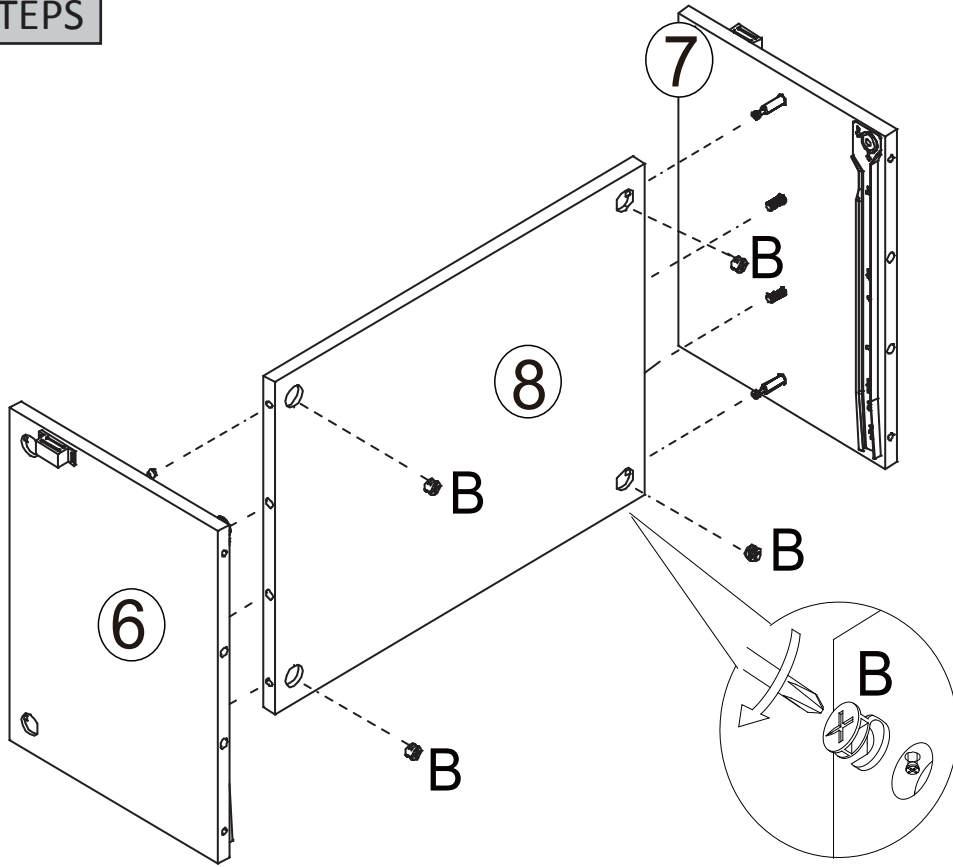
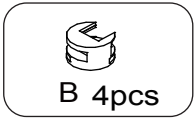
Step 2



Insert 2 x wooden dowels (C) to panel (6) and secure 2 x quickfit screws (A) to this panel. Attach drawer glide (20) to panel (6) using 2 x screws (E) with a screwdriver. Fix the magnetic door catch (F) to the other side of this panel using 2 x screws (I) with a screwdriver.

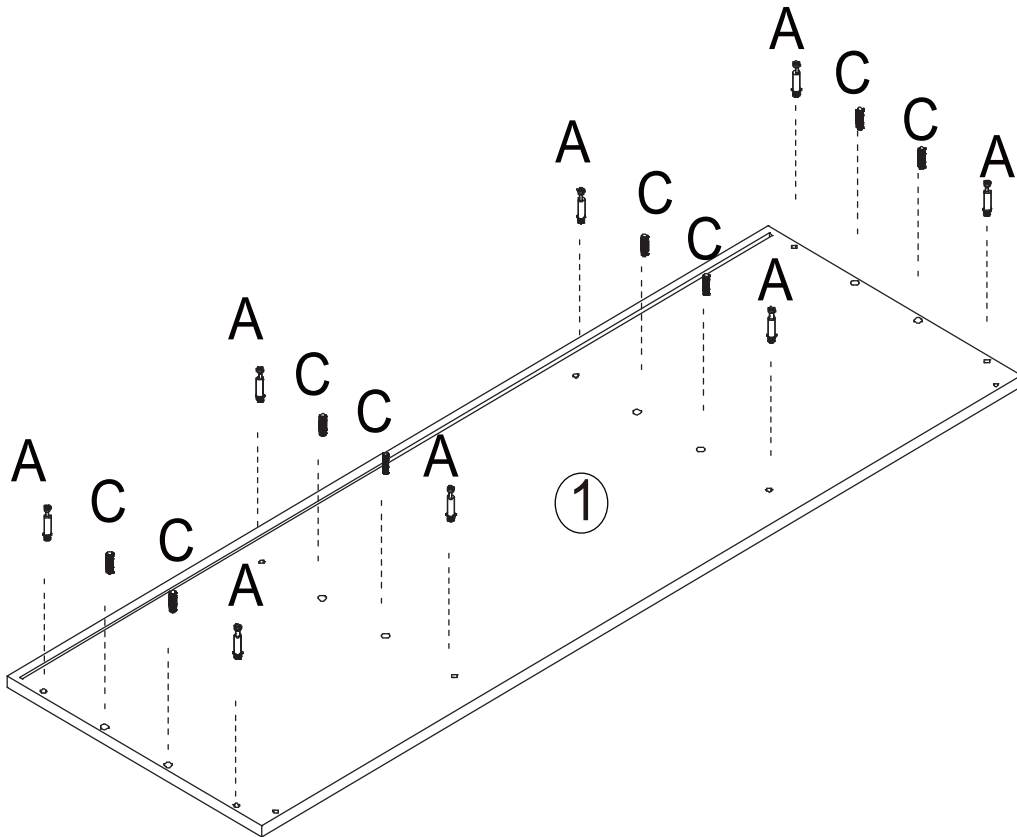
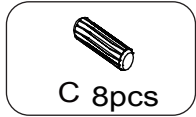
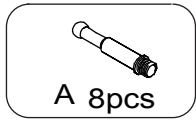
ASSEMBLY STEPS

Step 3



Attach panel (8) to panel (6), (7) using 4 x cam locks (B). Screw clockwise to tighten.

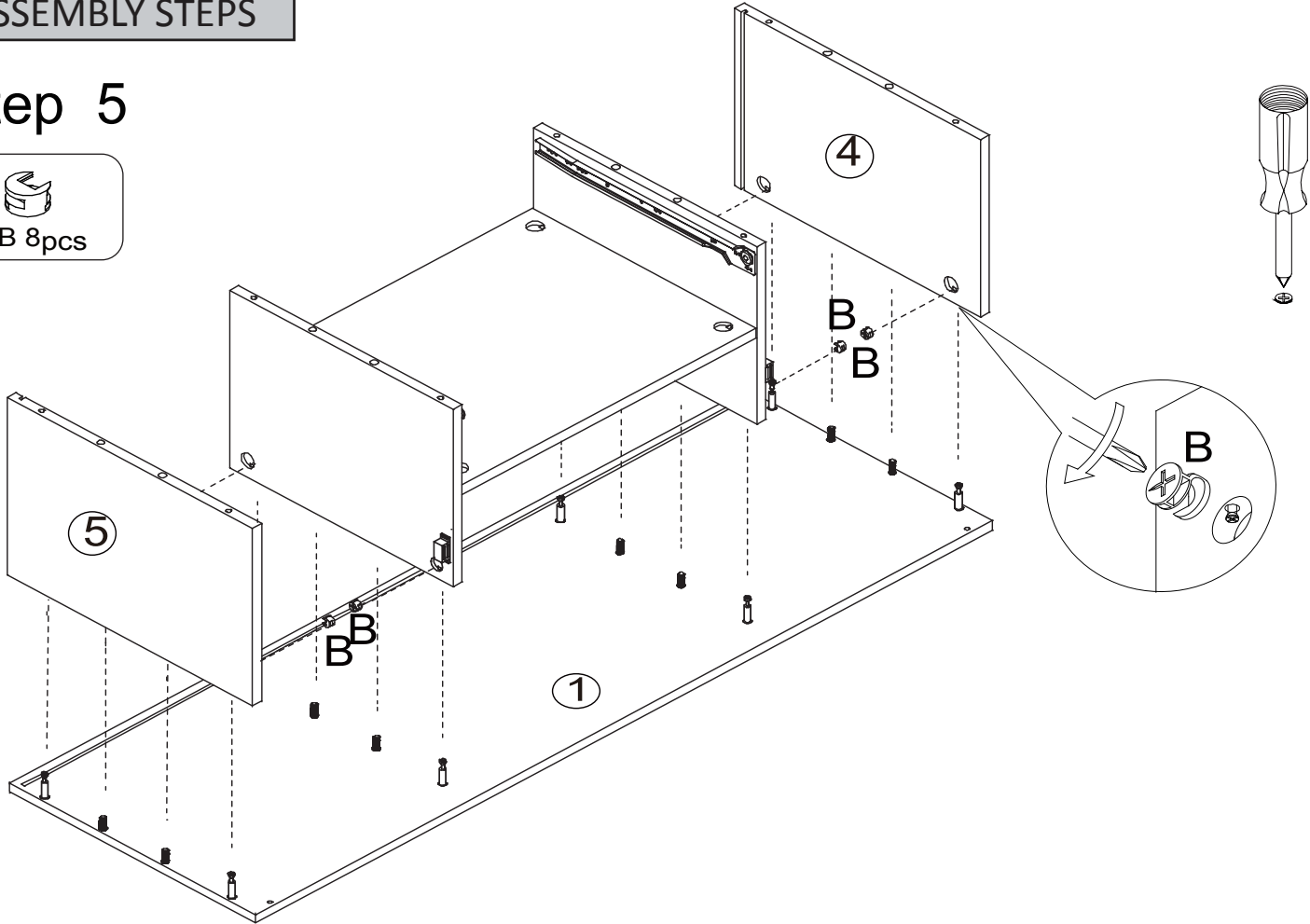
Step 4



Insert 8 x wooden dowels (C) to the top panel (1); Screw on 8 x quickfit screws with a screwdriver.

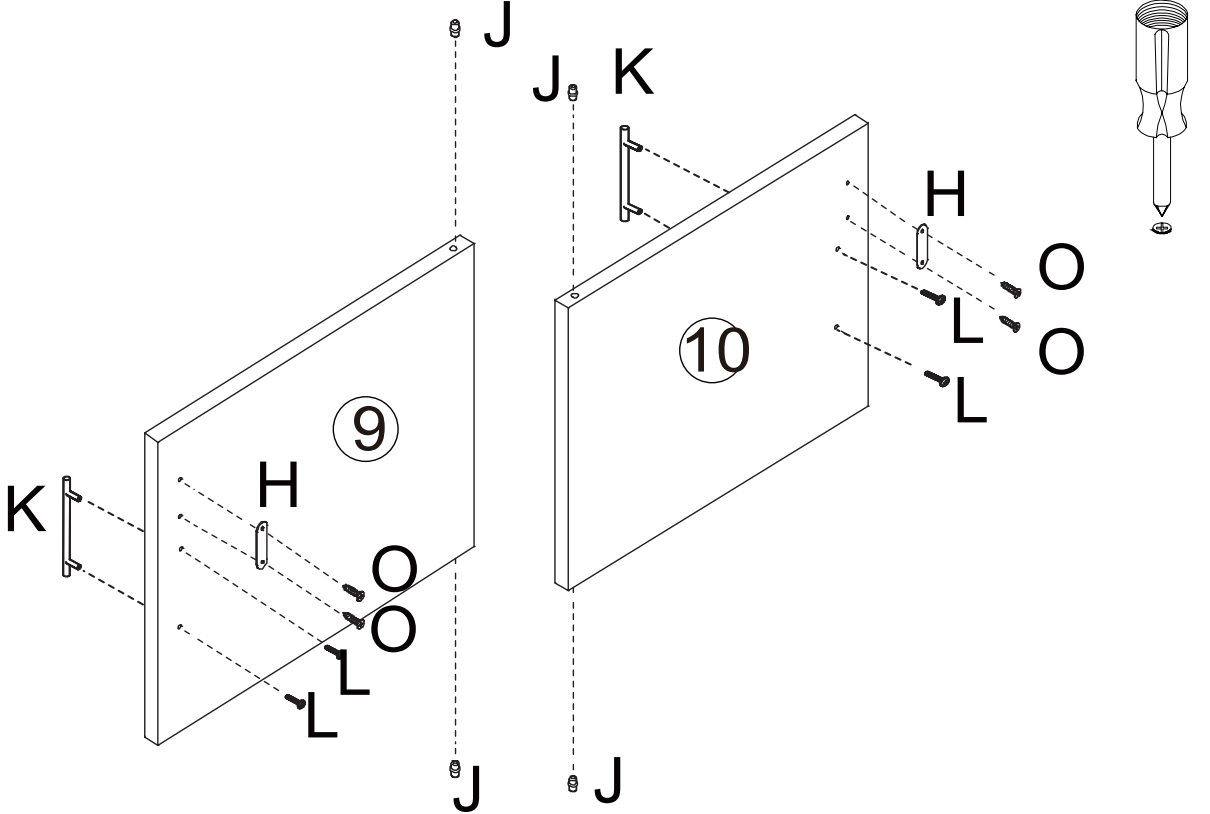
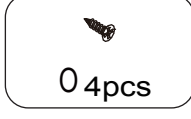
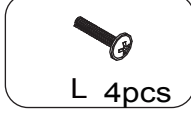
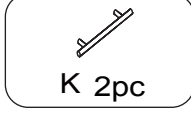
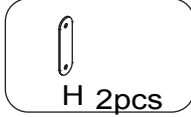
ASSEMBLY STEPS

Step 5



Attach assembled unit and panel (4), (5) to panel (1) using 8 x cam locks (B). Screw clockwise to tighten.

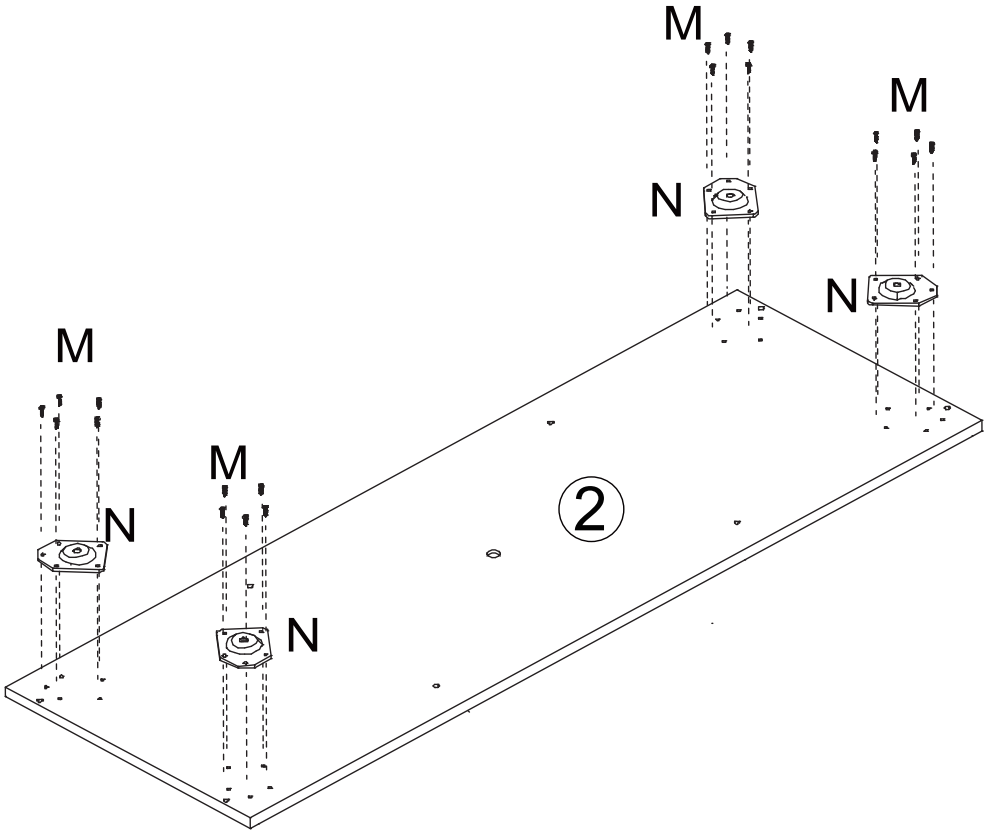
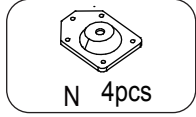
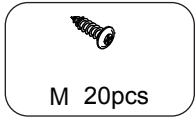
Step 6



Attach metal strike plate (H) and door handle (K) to door panel (9) using 2 x screws (O), 2 x bolts (L). Tighten with a screwdriver. Twist in 2 x cabinet swing hinges (J) to the door panel as shown. Repeat with door panel (10).

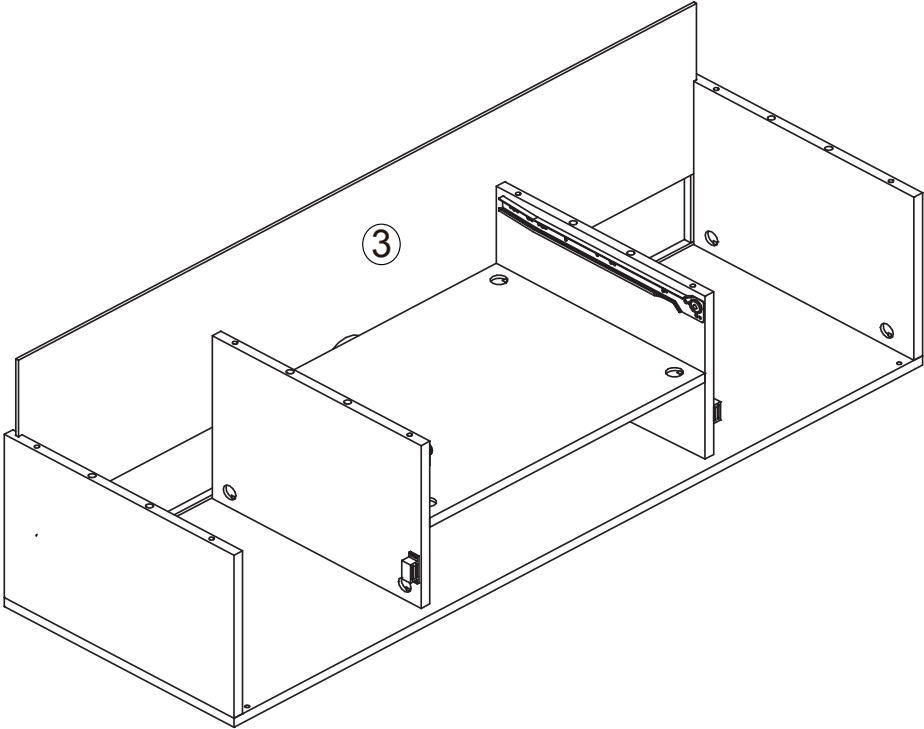
ASSEMBLY STEPS

Step 7



Attach 4 x metal plates (N) to the bottom panel (2) using 20 x screws (M) with a screwdriver.

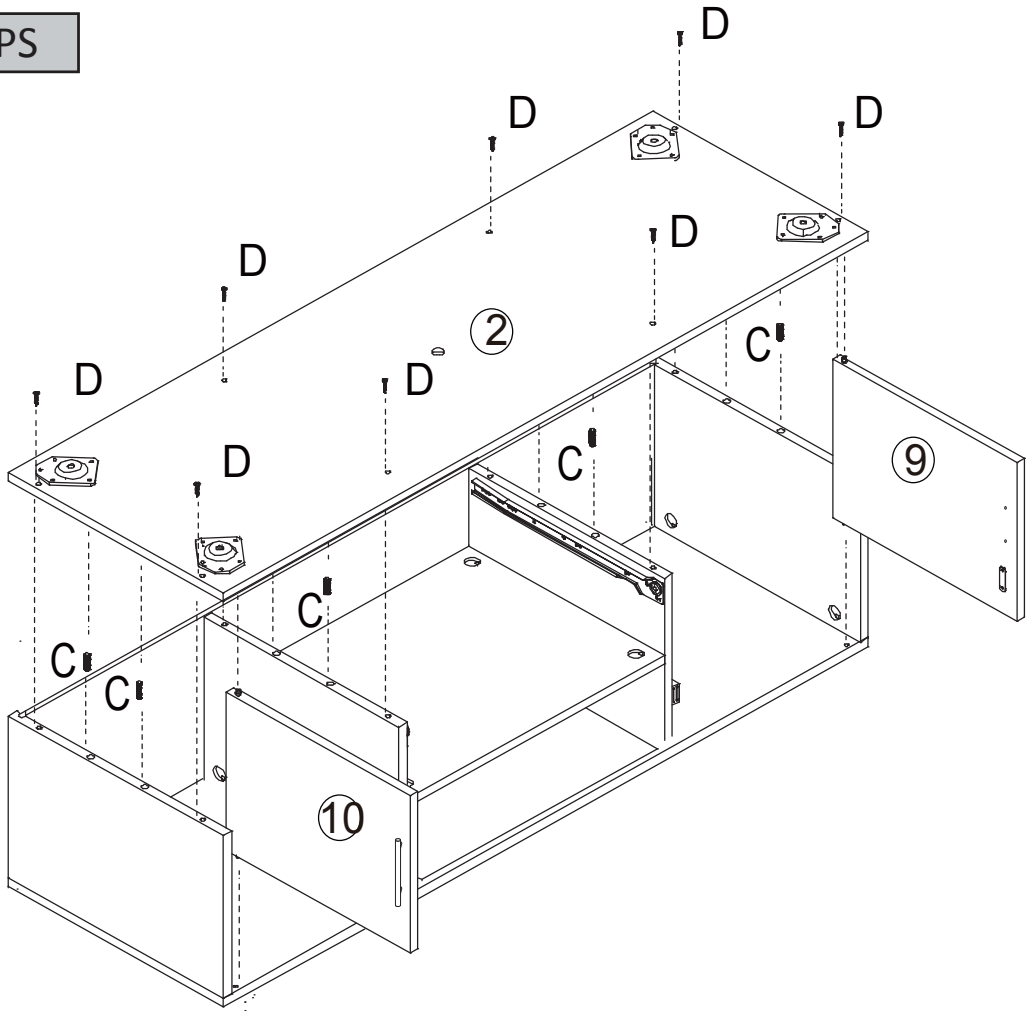
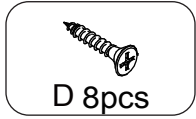
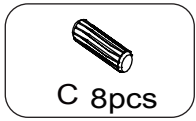
Step 8



Slide back side panel (3) into grooves as shown.

ASSEMBLY STEPS

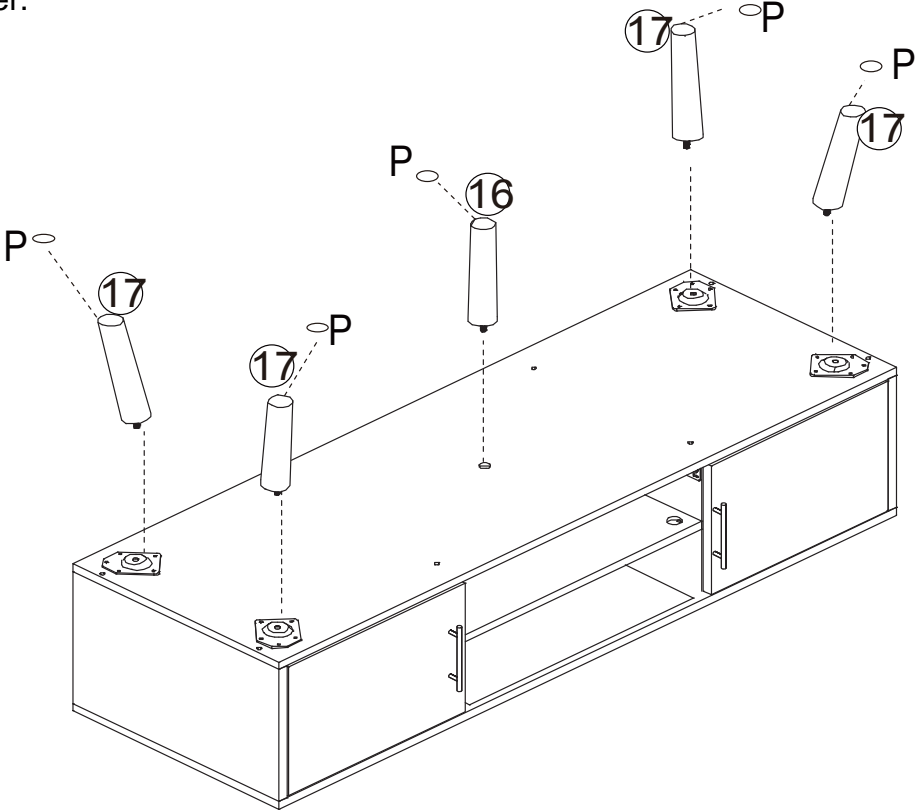
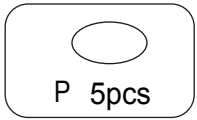
Step 9



Fix doors (9), (10) to the assembled unit by aligning the swing hinges with the holes on the top panel (1).

Attach bottom panel (2) to assembled unit using 8 x wooden dowels (C), 8 x screws (D) with a screwdriver.

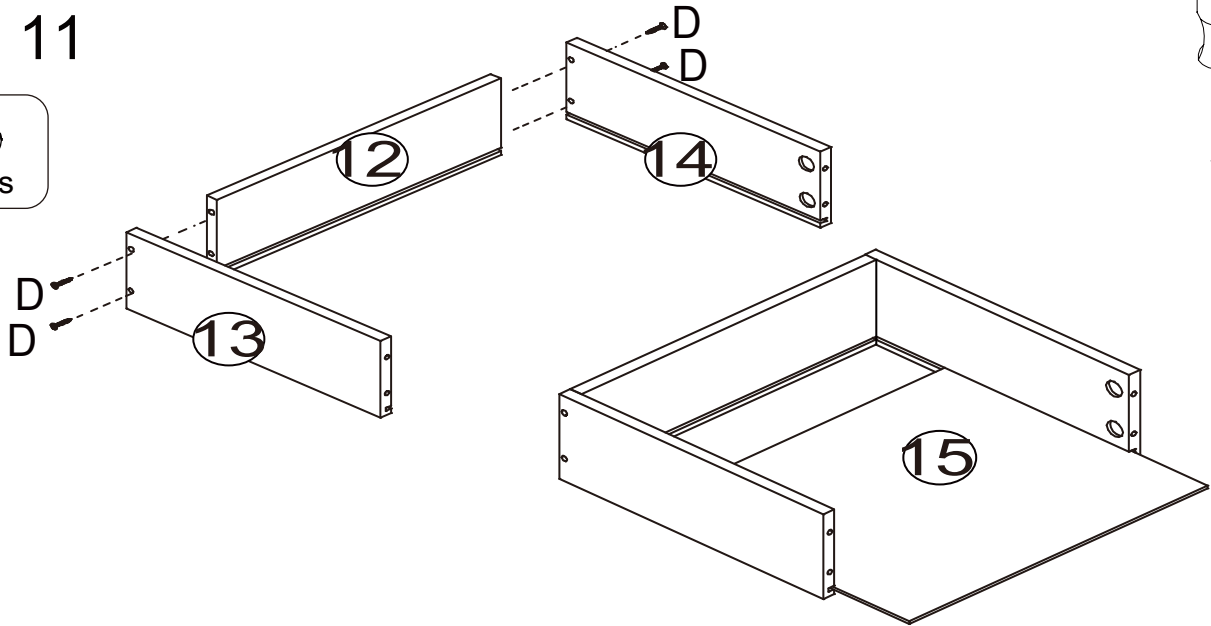
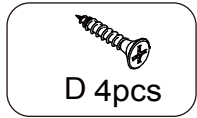
Step 10



Fix 4 x corner side legs (17) and middle leg (16) to the cabinet by rotating. Paste 5 x foot pads onto legs.

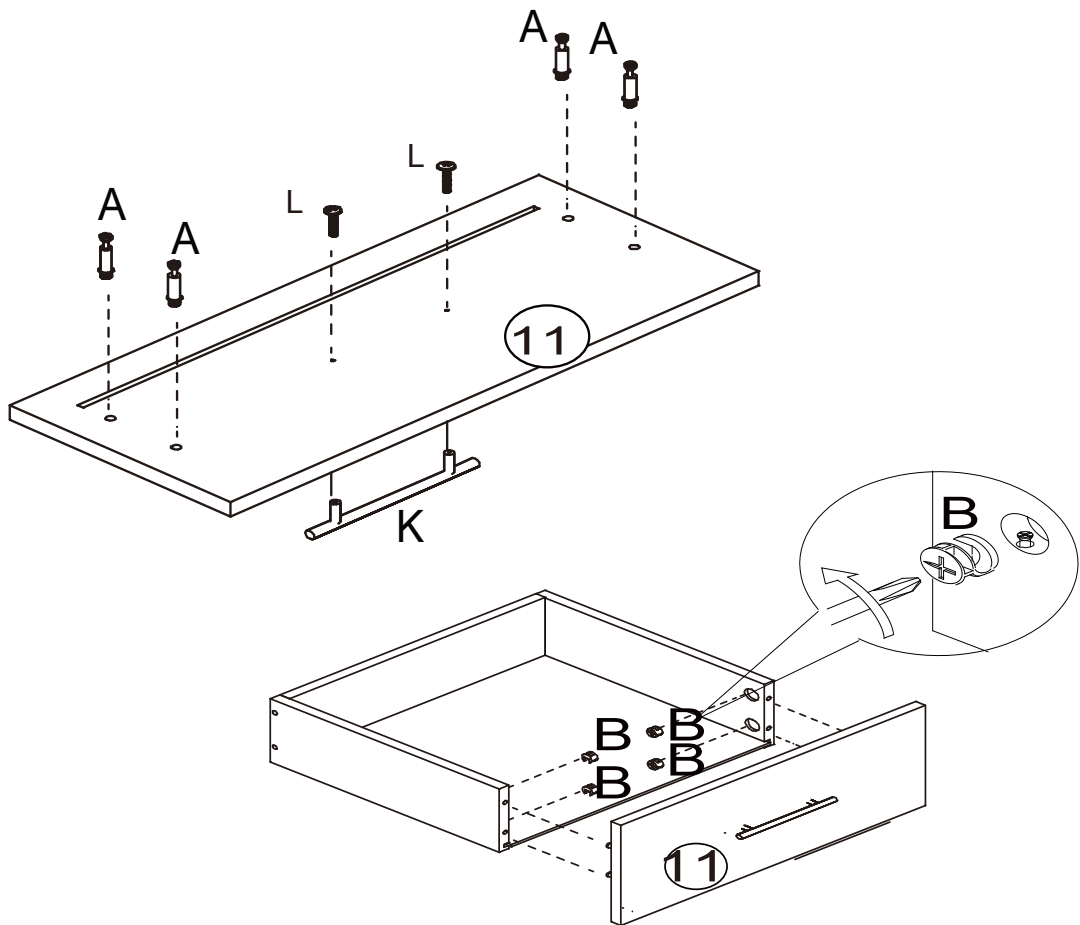
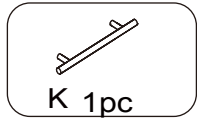
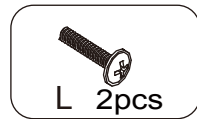
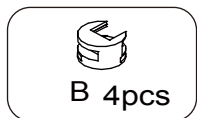
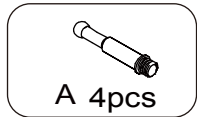
ASSEMBLY STEPS

Step 11



Attach panel (12) to panel (13), (14) using 4 x screws (D) with a screwdriver. Side panel (15) into position.

Step 12

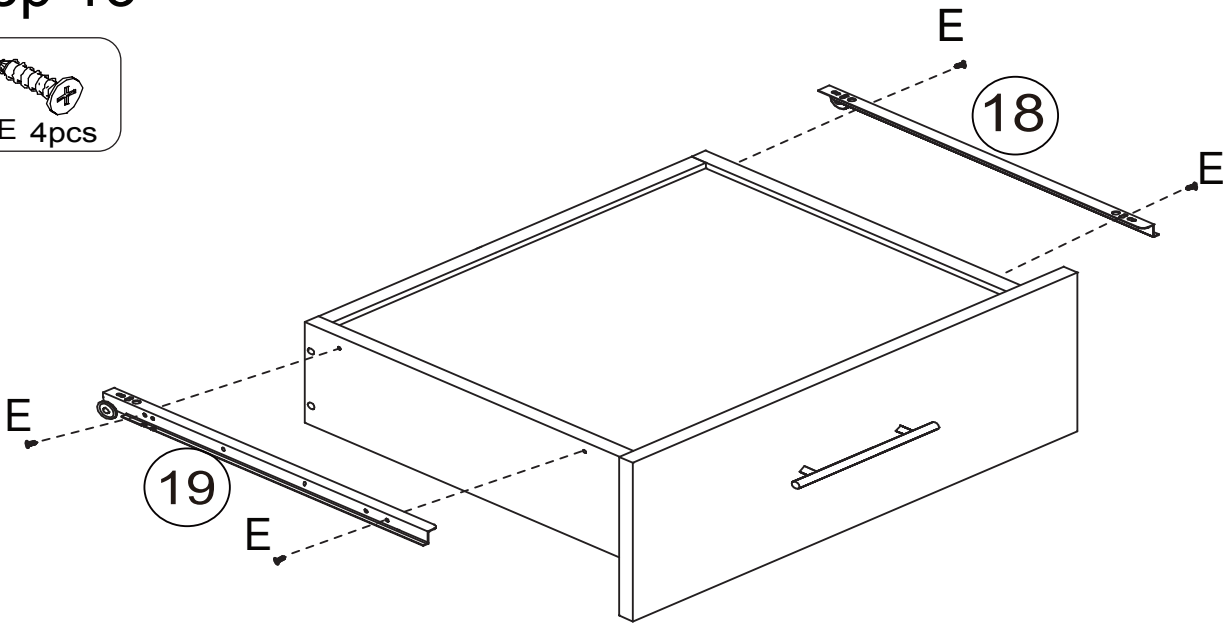
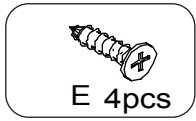


Secure 4 x quickfit screws (A) to panel (11) and tighten with a screwdriver. Attach the handle (K) to panel (11) using 2 x bolts (H).

Attach panel (11) to assembled unit using 4 x cam bolts (B) with a screwdriver.

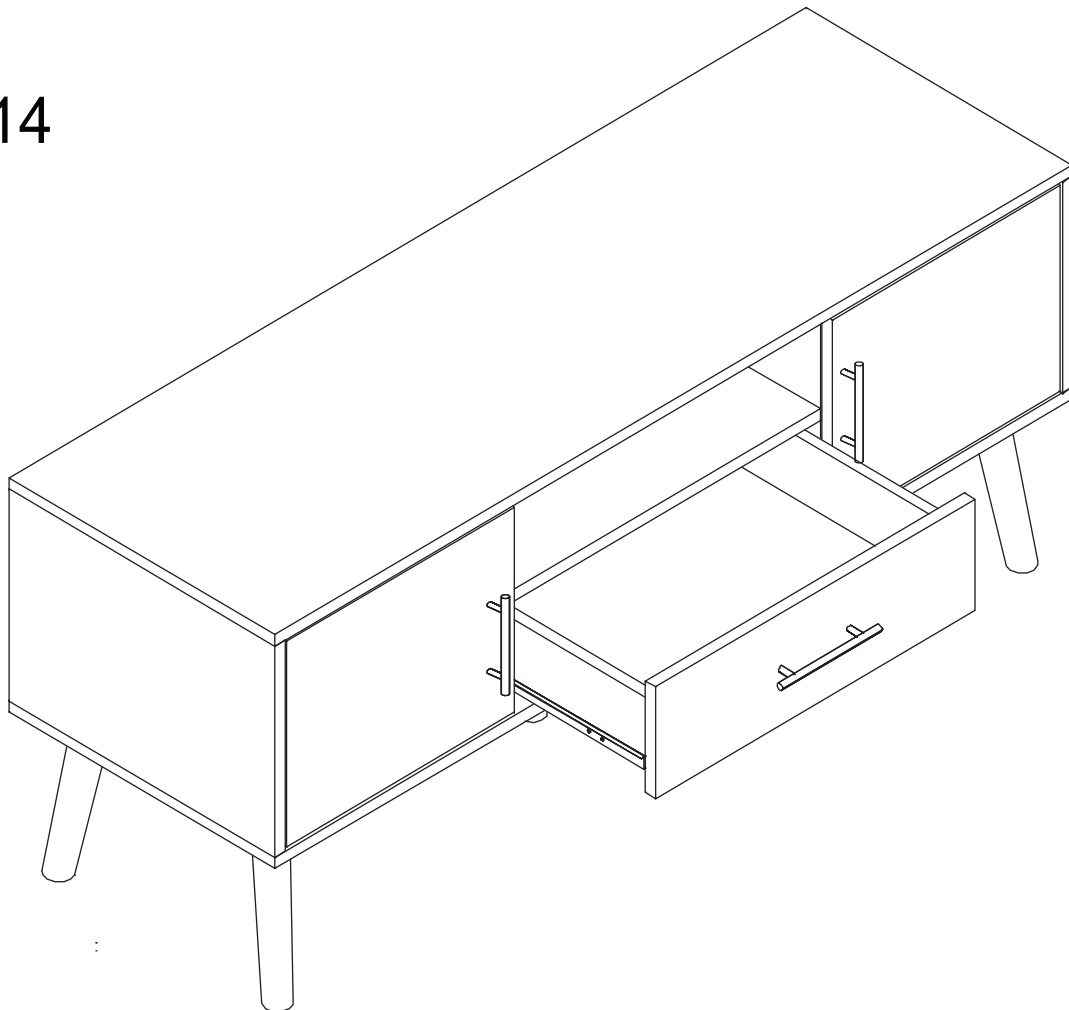
ASSEMBLY STEPS

Step 13



Put the drawer upside down to attach drawer glides. Fix the drawer glide (19) to the left side and (18) to the right side as shown. Secure using 4 x screws (E) with a screwdriver.

Step 14



Slide the drawer in. All done!