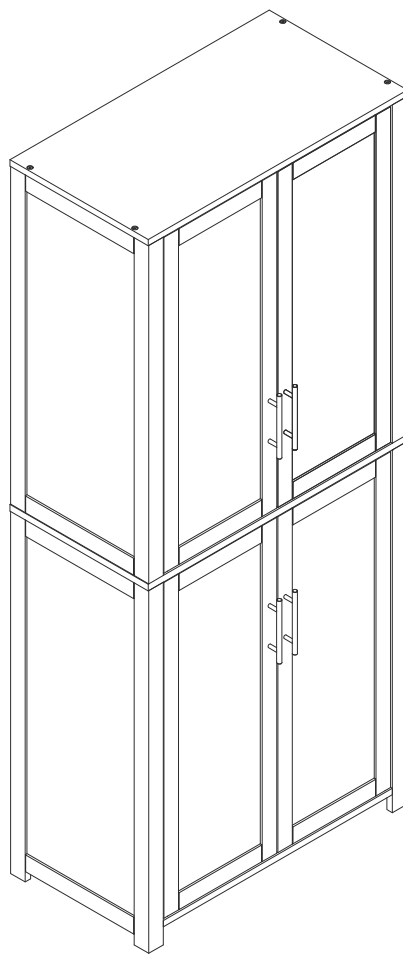


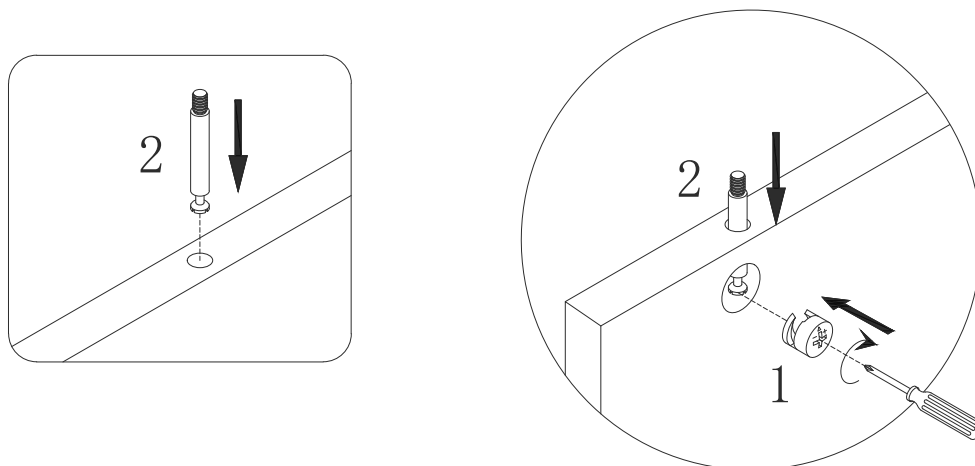
ASSEMBLY INSTRUCTIONS

Adam Storage Pantry



- * Required screwdriver & mallet, not included.
- * Before discarding packing materials, please check to make sure that all parts and hardware is present.
- * Two people needed for assembly.
- * Please follow the instructions closely; do not over tighten screws or bolts unless instructed.
- * After a few days from initial assembly, the product may have acclimated to the new environment. Please retighten the hardware.

Guideline For Assembling of Cam Lock(1 & 2)

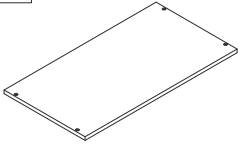
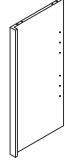
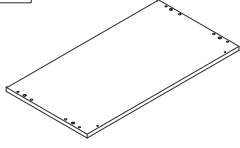
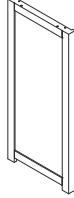

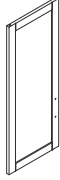

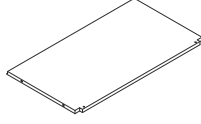

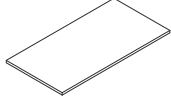


Screw camlock bolt (2) to wood part.

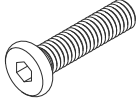
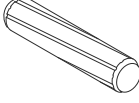
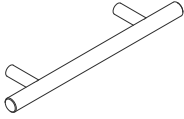

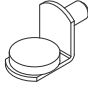
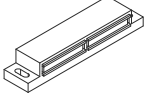
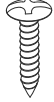

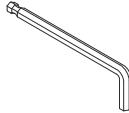



Do not assemble camlock (1) unless instructed.

To assemble camlock (1), ensure long side of the + is facing the bolt (2) before inserting into hole.

PART LIST

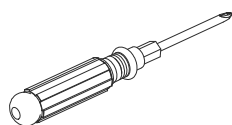
				
<p>Top Panel 1 PC</p>	<p>Upper Panel 2 PCS</p>	<p>Middle Panel 1 PC</p>	<p>Lower Left Panel 1 PC</p>	<p>Lower Right Panel 1 PC</p>
				
<p>Upper Left Door / Lower Right Door 2 PCS</p>	<p>Upper Right Door / Lower Left Door 2 PCS</p>	<p>Bottom Panel 1 PC</p>	<p>Back Panel 2 PCS</p>	<p>Adjustable Shelf 4 PCS</p>

HARDWARE LIST

 <p>Ø1/4"x1"</p>	 <p>Ø8*30mm</p>		 <p>Ø4*22mm</p>	
<p>Long Bolt 8 PCS (Extra 1)</p>	<p>Wood Dowel 12 PCS (Extra 1)</p>	<p>Handle 4 PCS</p>	<p>Short Bolt 8 PCS (Extra 1)</p>	<p>Shelf Holder 16 PCS (Extra 1)</p>
				
<p>Double Magnet 4 PCS</p>	<p>Screw 8 PCS (Extra 1)</p>	<p>Short Screw 38 PCS (Extra 4)</p>	<p>Allen Wrench 1 PC</p>	<p>Safety Strap Kit 1 SET</p>
				
<p>Cam Lock 8 PCS</p>	<p>Cam Bolt 8 PCS</p>			

ADDITIONAL TOOLS (Not Provided)

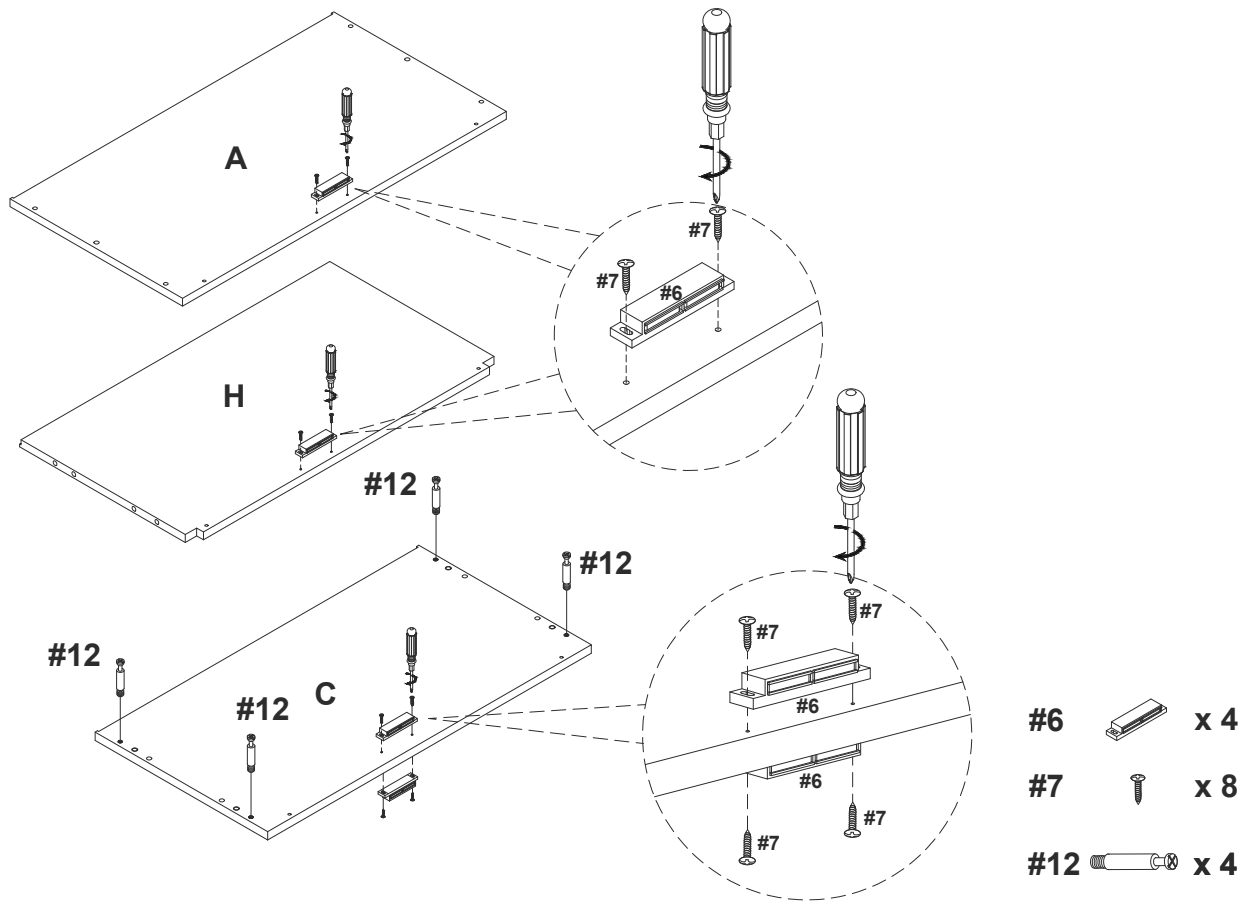
Note: It is not recommended to use power tools during assembly.



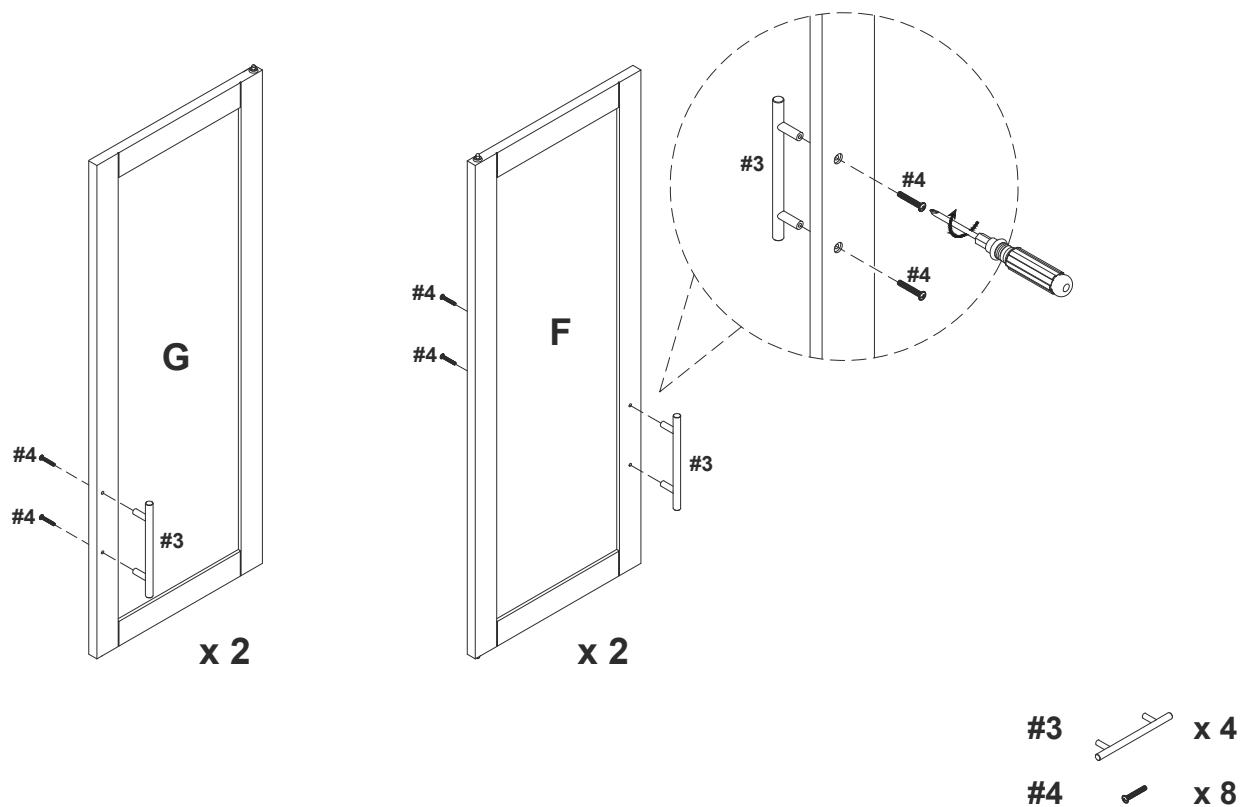
Phillips Head Screwdriver

Note: Wood dowels are intended for alignment. Additional clearance between wood dowel and pre-drilled hole is intentional for ease of assembly.

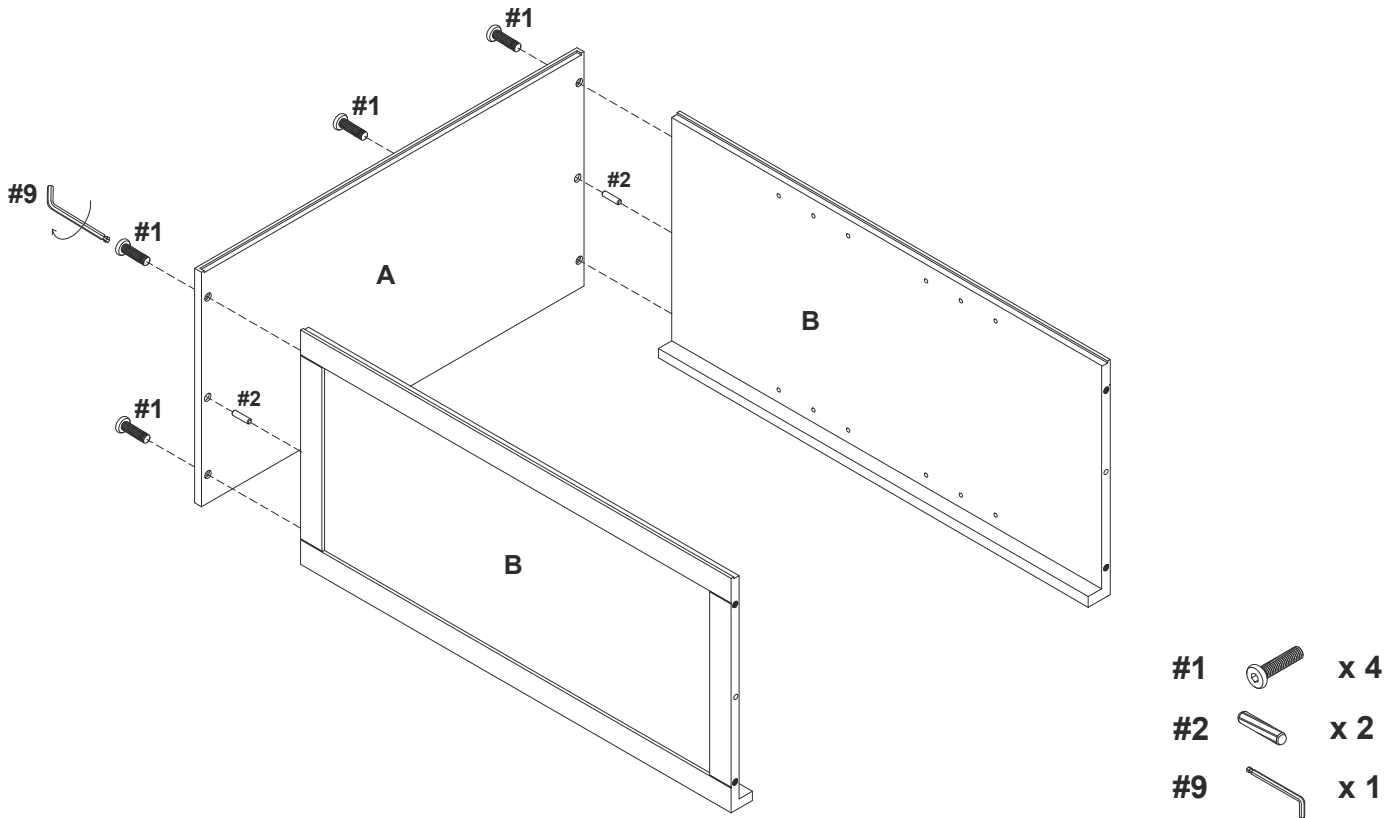
Step 1. Attach double magnets (part #6) to panels (parts A, C & H) using screws (part #7) and phillips head screwdriver.



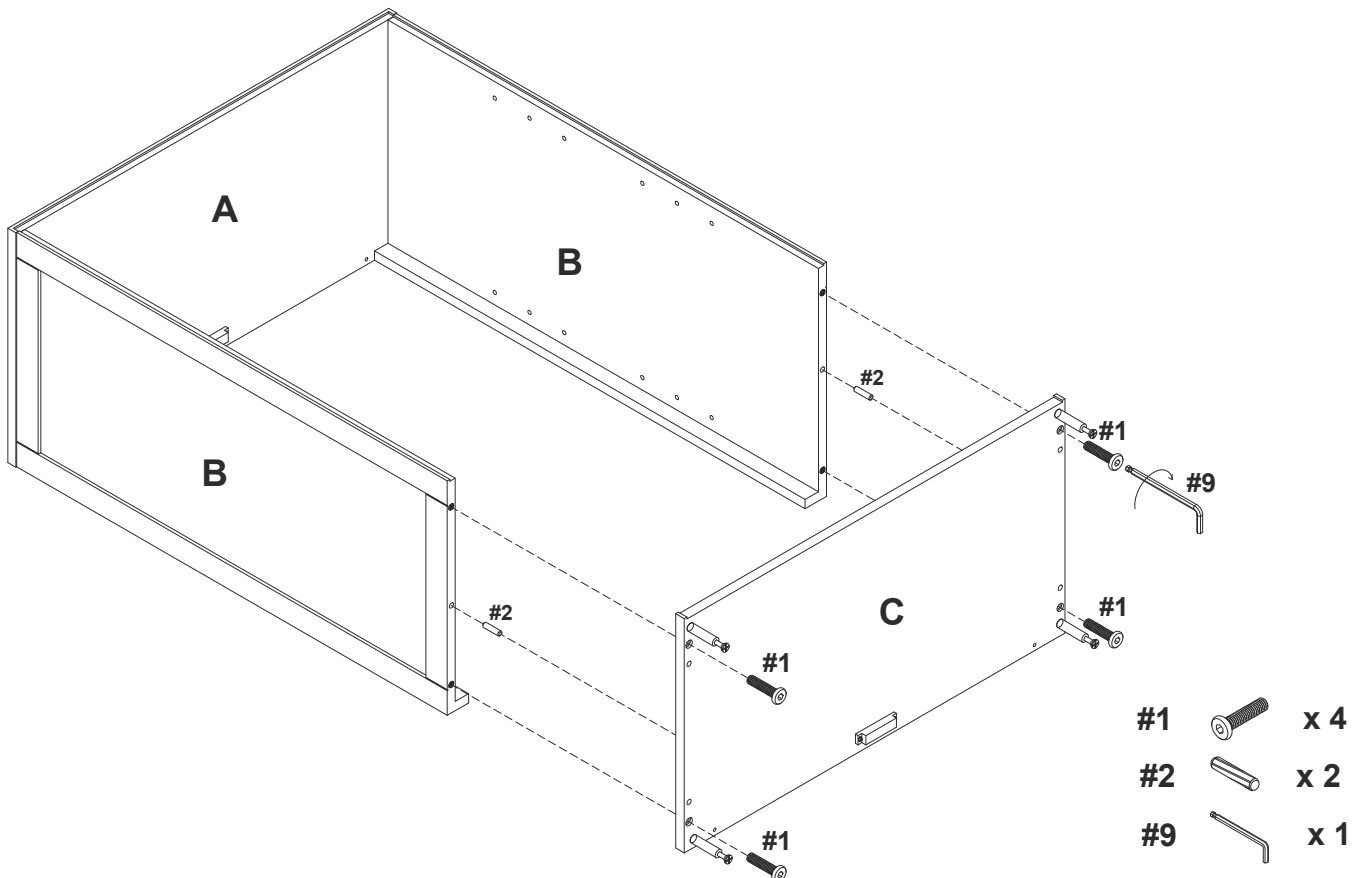
Step 2. Attach handles (part #3) to doors (parts F & G) using short bolts (part #4) and phillips head screwdriver.



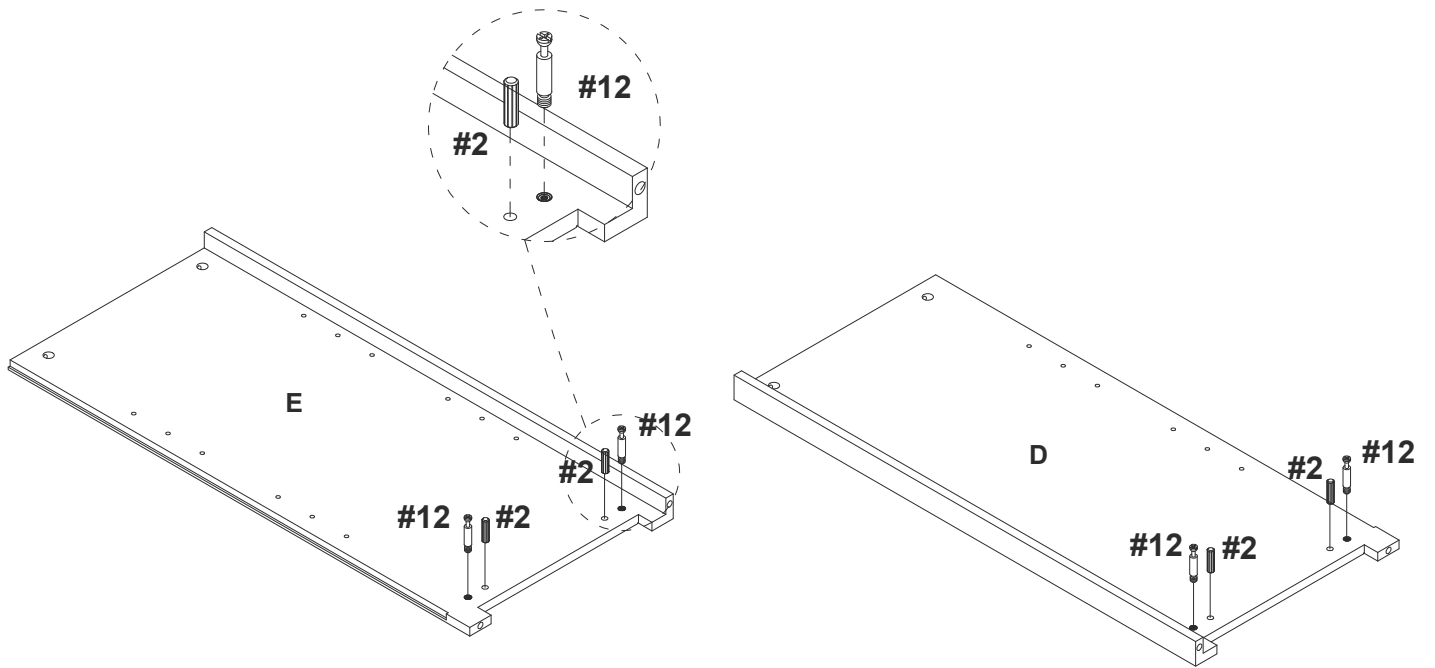
Step 3. Attach upper panels (part B) to top panel (part A) using wood dowels (part #2), long bolts (part #1) and allen wrench (part #9).




Step 4. Attach middle panel (part C) to upper panels (part B) using wood dowels (part #2), long bolts (part #1) and allen wrench (part #9).



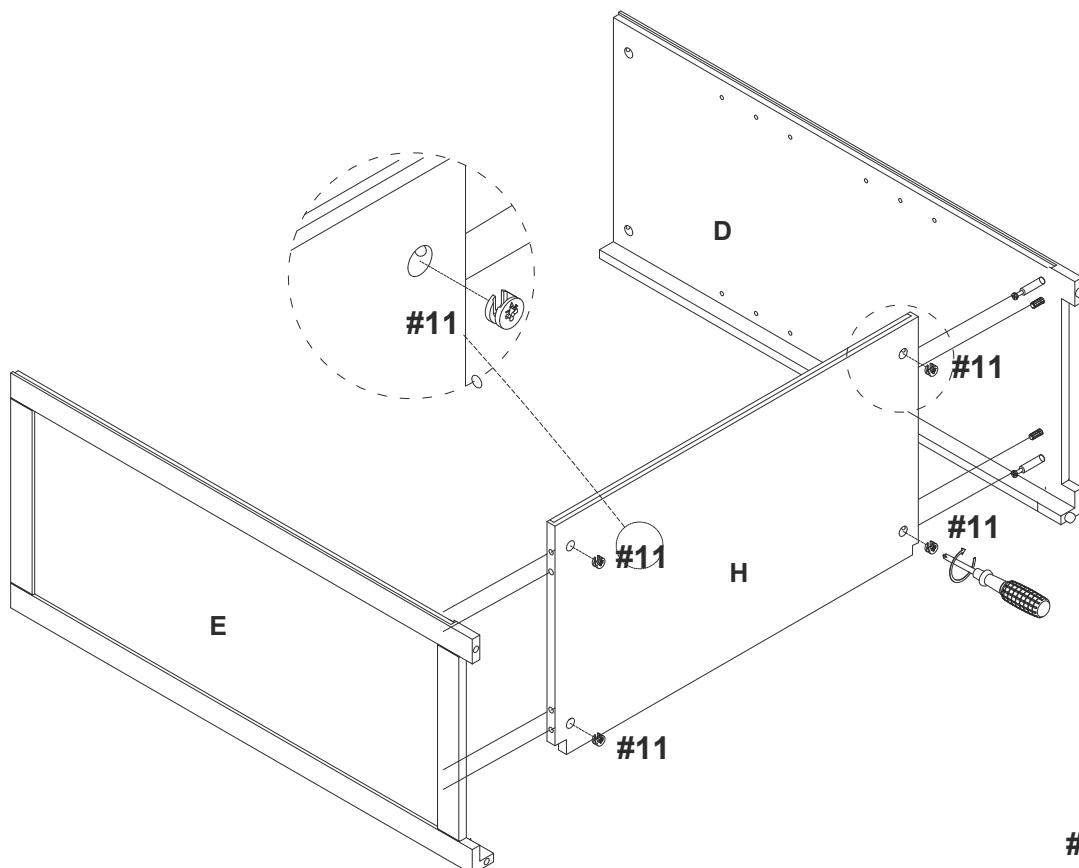
Step 5. Attach Cambolts (part #12) and wood dowels (part #2) to lower panels (parts D & E) using phillips head screwdriver.



#2  x 4

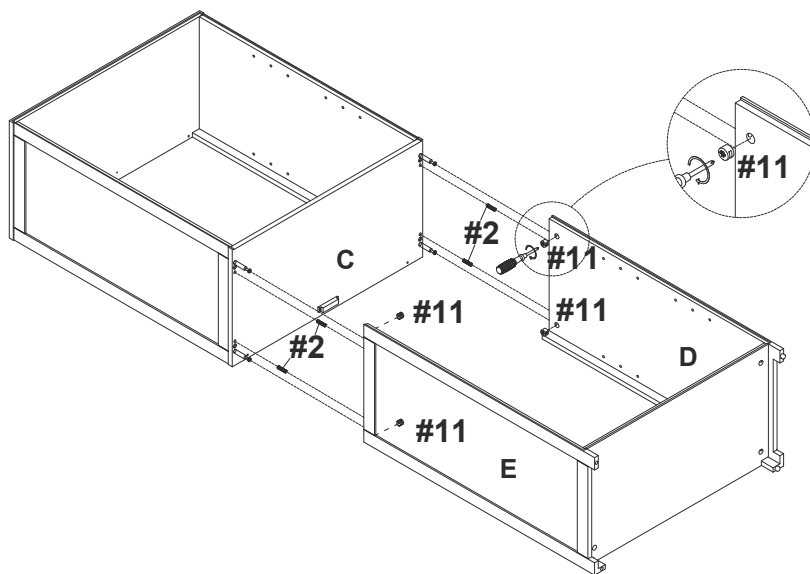
#12  x 4


Step 6. Attach lower panels (parts D & E) to bottom panel (part H) using camlocks (part #11) and phillips head screwdriver.



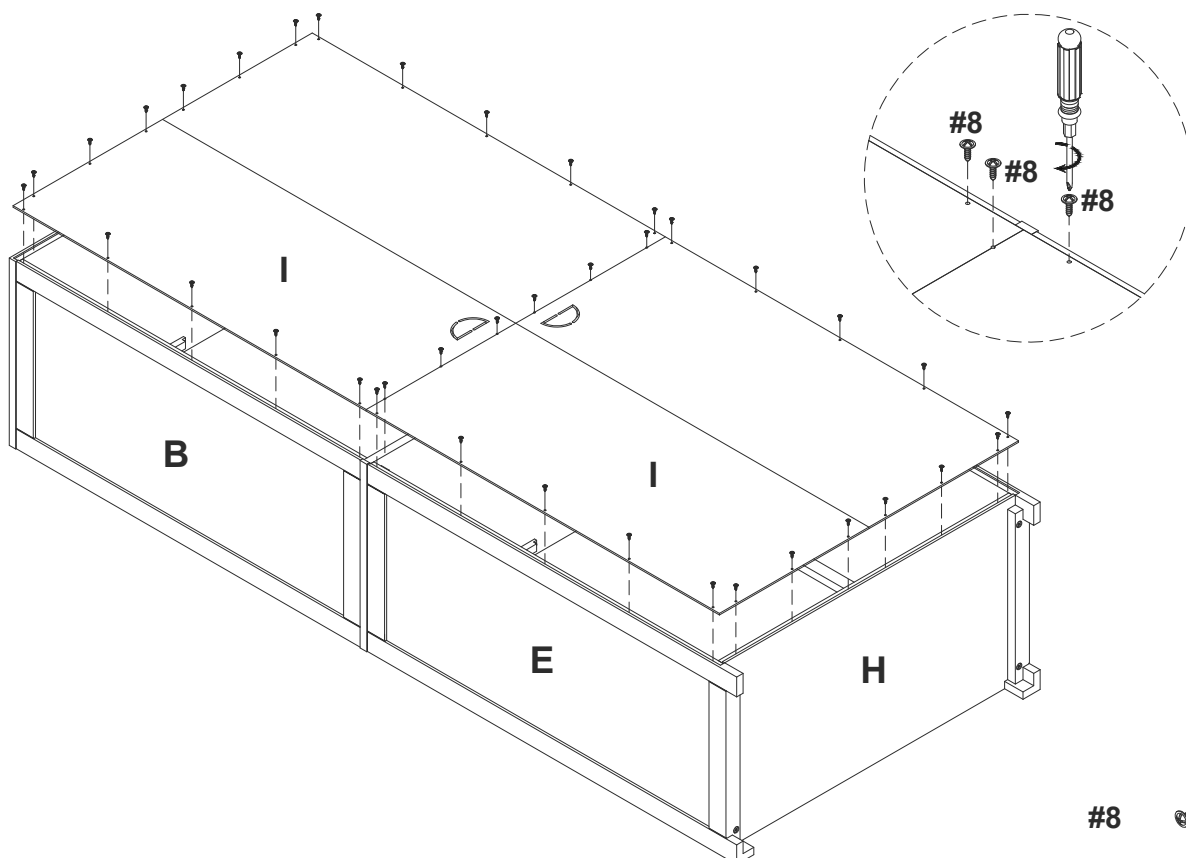
#11  x 4

Step 7. Attach assembled unit (parts D & E) to middle panel (part C) using wood dowels (part #2), camlocks (part #11) and phillips head screwdriver.



#2  x 4
#11  x 4

Step 8. Attach back panels (part I) to assembled unit (parts A, B, C, D, E & H) using short screws (part #8) and phillips head screwdriver.

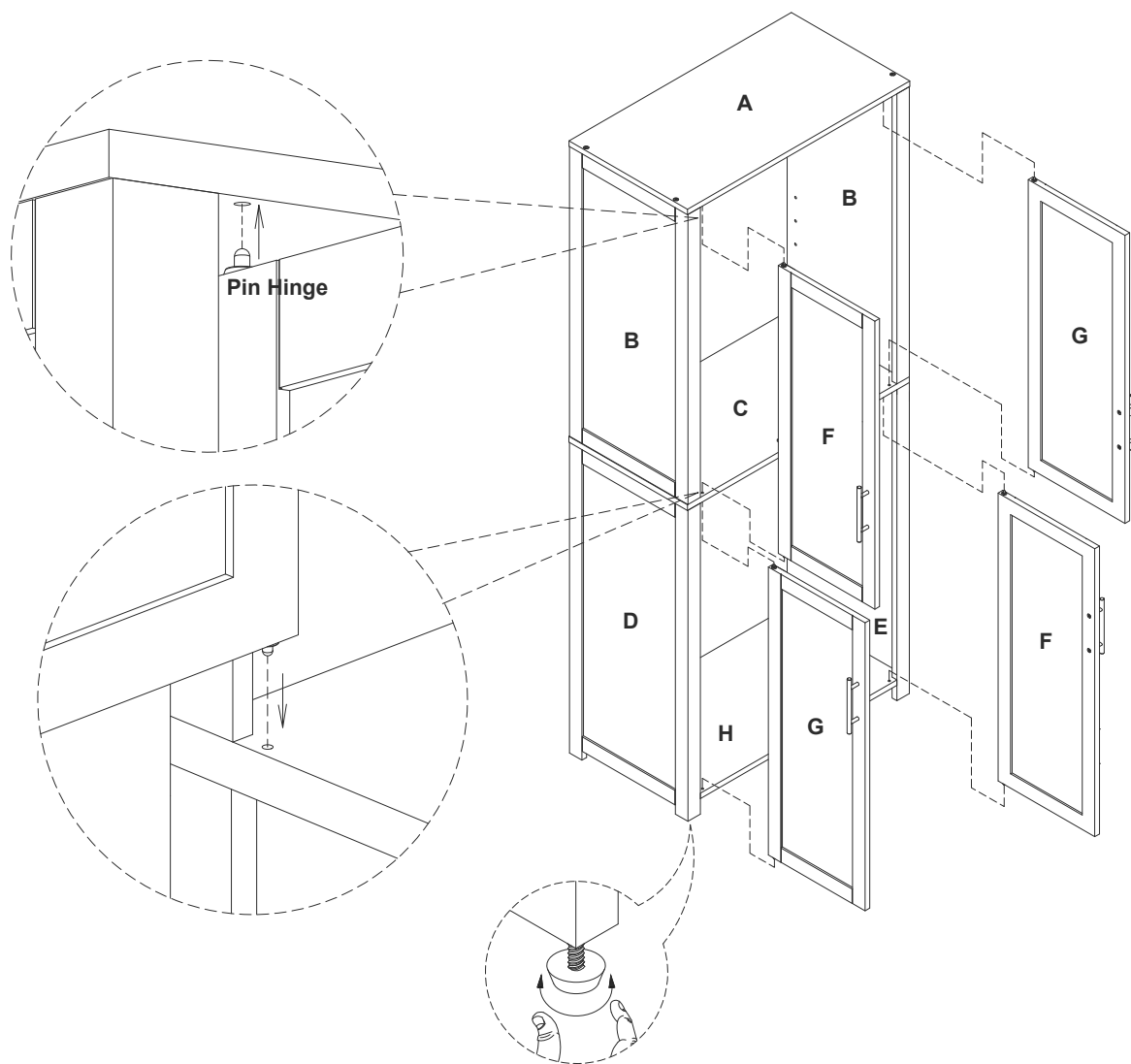


#8  x 38

Step 9. Carefully turn the unit upright. Attach doors (parts F & G) by placing bottom pin hinge (pre-installed in door) in the pre-drilled hole of middle panel (part C) and bottom panel (part H), then depress the top spring-loaded pin hinge so it can be placed in the pre-dilled hole of top panel (part A) and middle panel (part C).

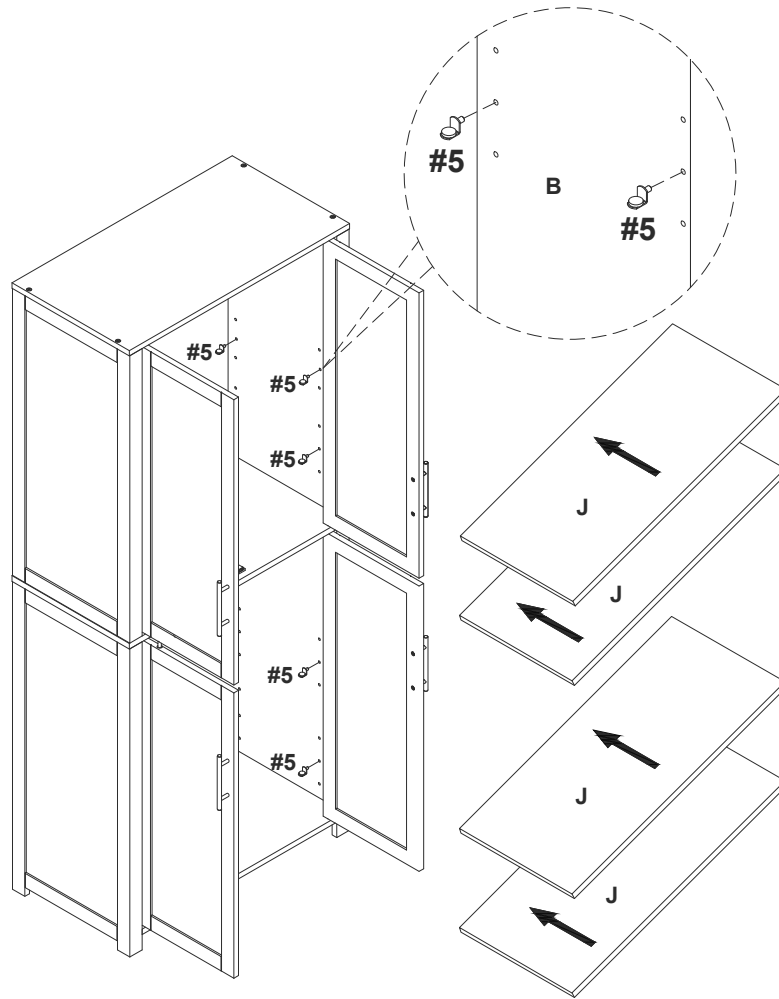
Note: Be sure top and bottom pin hinges are fully extended to secure doors in place.

Note: It is important to adjust levelers once fully assembled and upright. Extend adjustable leveler until it's firmly in contact with the floor. If relocating, adjust leveler as needed until it's firmly in contact with the floor in new location.

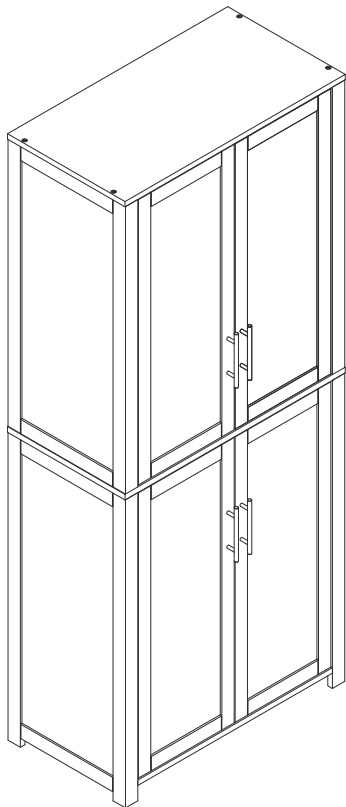


Step 10. Insert shelf holders (part #5) into desired position and slide adjustable shelves (parts J) into place.







Important: Safety strap kit (part #10) must be installed to prevent tipping, damage and/or injury.



#5  x 16



Step 11.

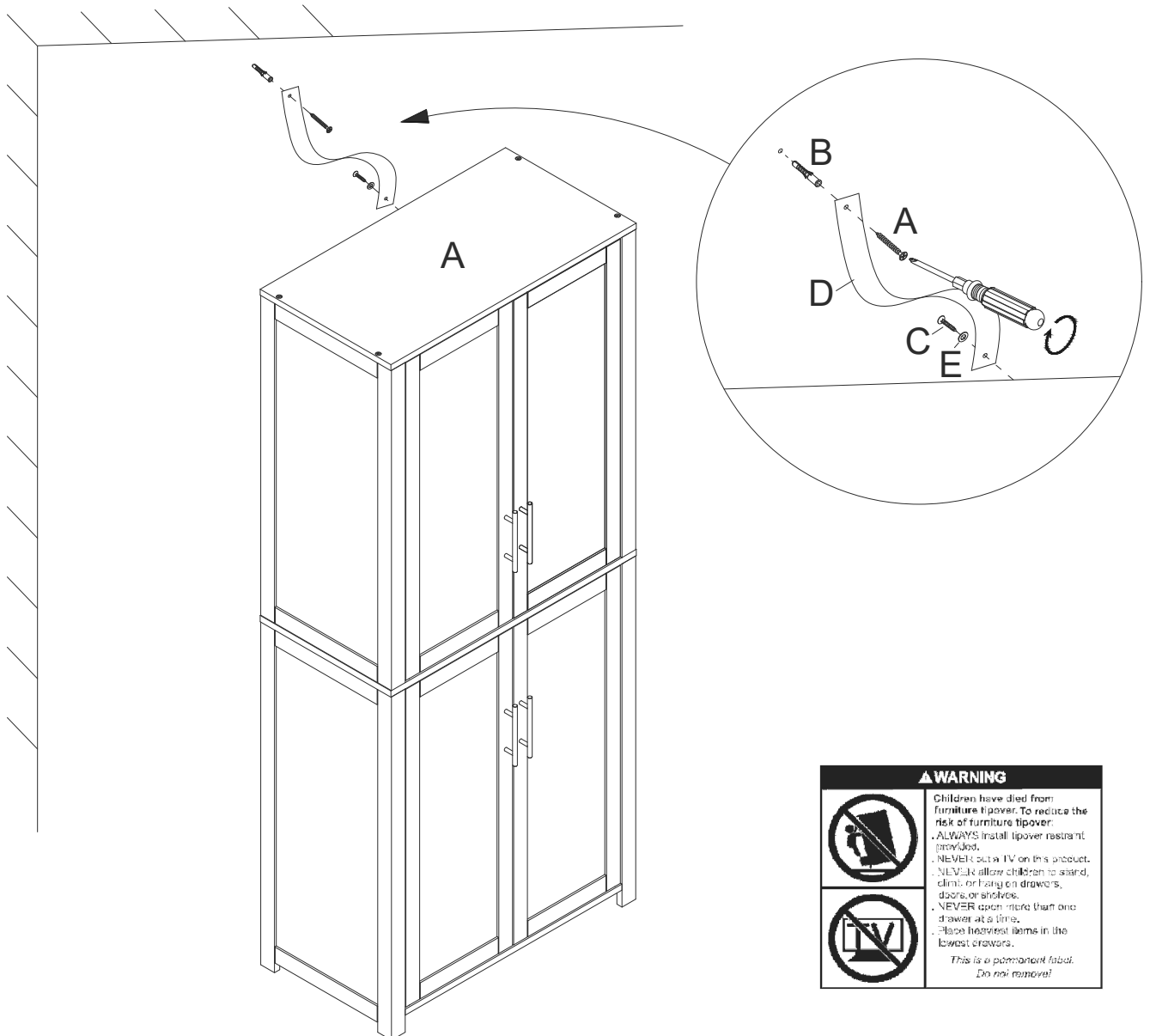
#10 	A  1-1/2"xΦ4xD8	B  Wall Anchor 1 PC	C  5/8"xΦ3xD8	D  Safety Wall Strap 1 PC	E  Flat Washer 1 PC
Safety Strap Kit 1 SET	Long Screw 1 PC	Wall Anchor 1 PC	Short Screw 1 PC	Safety Wall Strap 1 PC	Flat Washer 1 PC



SAFETY WALL STRAP INSTALLATION

Note: It is highly recommended to install this safety strap kit to prevent tipping, damage and/or injury.

1. Insert short screw (C) through flat washer (E) and safety wall strap (D) and attach to top panel (part A) using phillips head screwdriver.
2. Drill a 11/32" hole where you want to secure the unit. The drilled hole will be at the same height as the hole in top panel (part A) where safety wall strap (D) is attached. Tap wall anchor (B) into the hole.
3. Insert long screw (A) through safety wall strap (D) into wall anchor (B) using phillips head screwdriver.

Note: This item is not intended for clothing storage use.



▲WARNING	
	Children have died from furniture tipover. To reduce the risk of furniture tipover:
	<ul style="list-style-type: none"> • ALWAYS install tipover restraint provided. • NEVER put a TV on this product. • NEVER allow children to stand, climb or hang on drawers, doors, or shelves. • NEVER open more than one drawer at a time. • Place heaviest items in the lowest drawers.
<i>This is a permanent label. Do not remove!</i>	