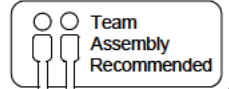
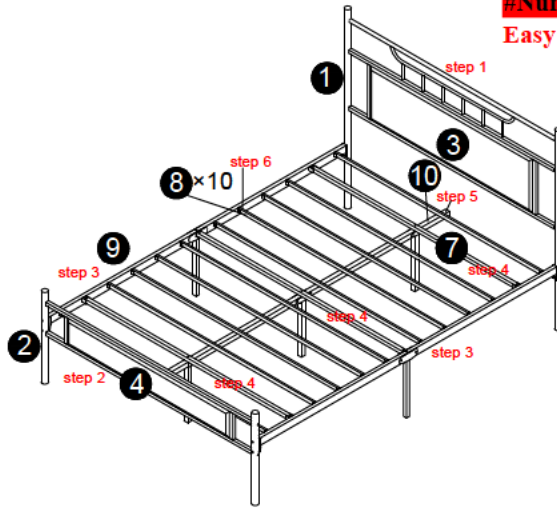


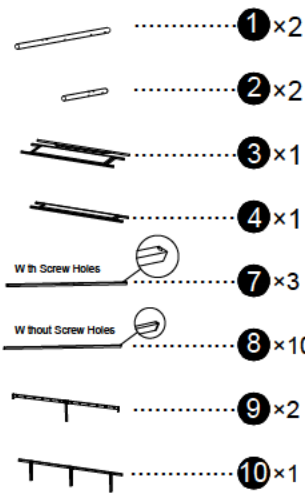
Bed Frame Installation Manual

#NumberSystem

Easy assembly by following step 1、step 2、step 3...



Componets



Screws & Tools

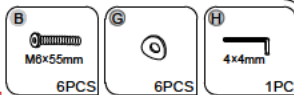
| | | | |
|---|--|---------|-----|
| A | | M8x55mm | x4 |
| B | | M6x55mm | x13 |
| C | | M6x35mm | x4 |
| D | | M6x30mm | x6 |
| F | | | x4 |
| G | | | x18 |
| H | | 4x4mm | x2 |
| N | | | x1 |

Return Policy

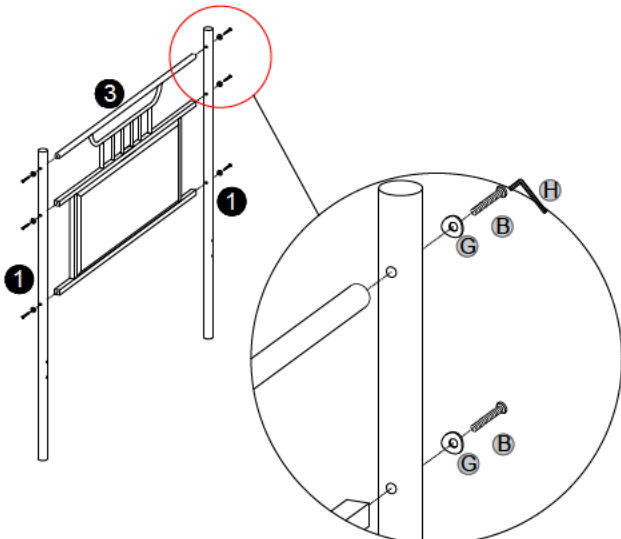
believes you will absolutely love your Metal platform bed. But if for some reason you want to return the foundation, please contact us directly before you decide to return your product. Our customer service organization can answer most concerns and assist you with any questions you may have about your new foundation, please email us first at: The item must be return within 30 days of delivery for a full refund. The item must be returned in good condition, in original box, with all original proof of purchase, parts and accessories.

Check all the components & screws before assembly. Do not install in case part is missing, contact us to get. Send email with your question to We will resend

1



Note: For easy setup intention, do not tighten screws during the installation process



2

