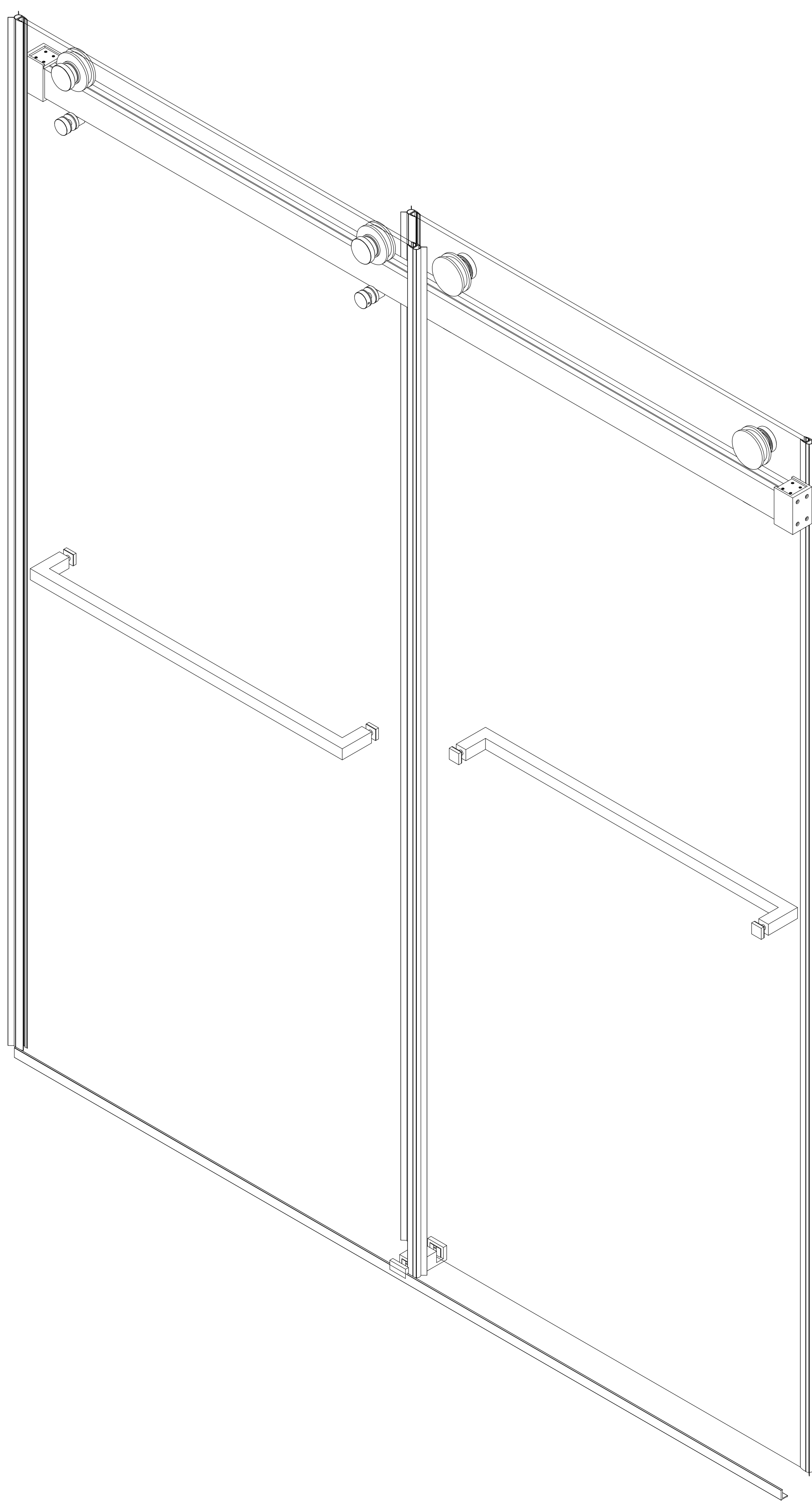
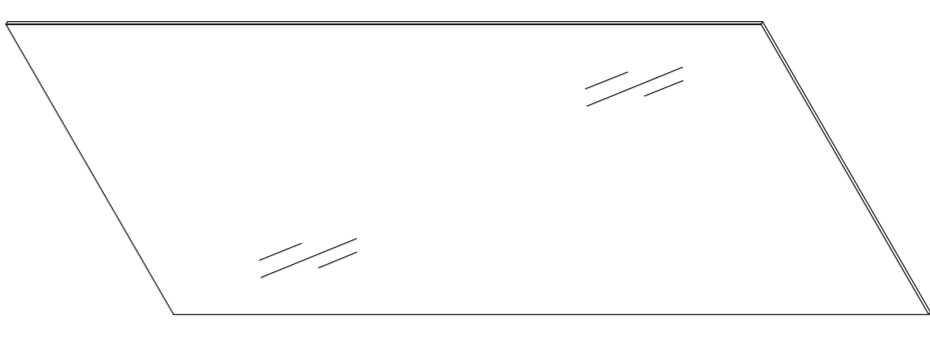
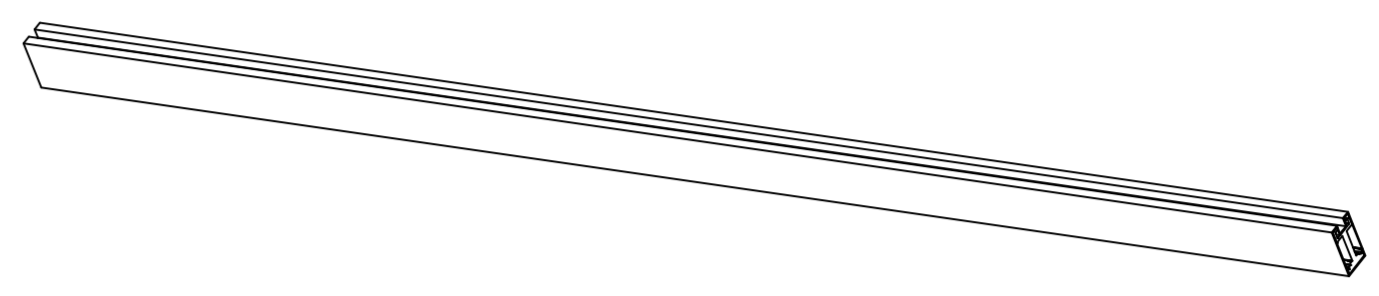
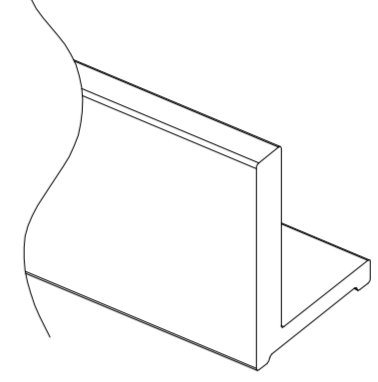
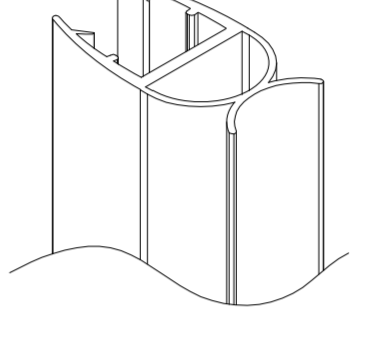
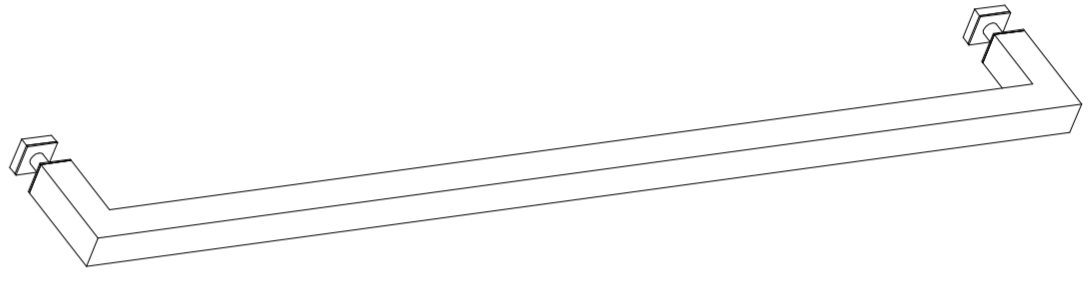
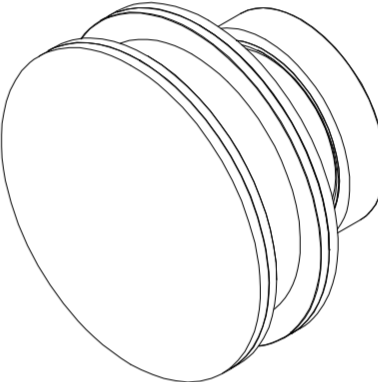
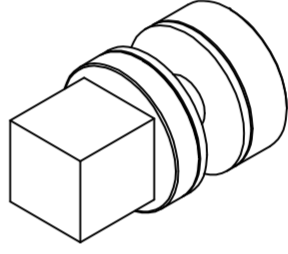
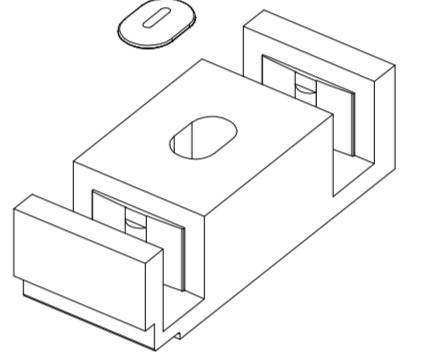
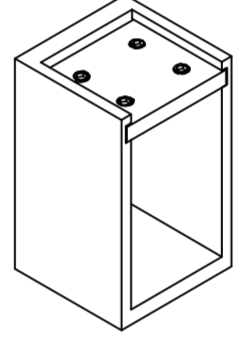
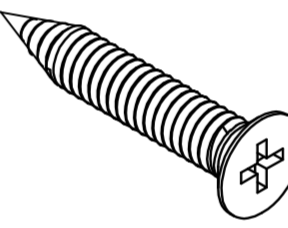
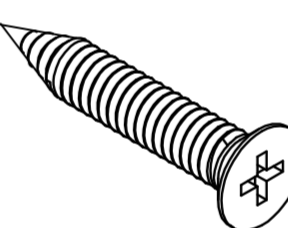
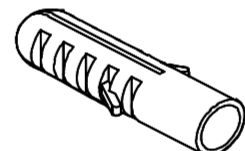
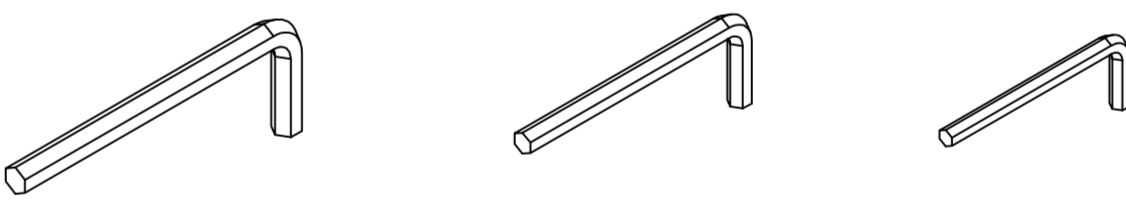

INSTALLATION MANUAL

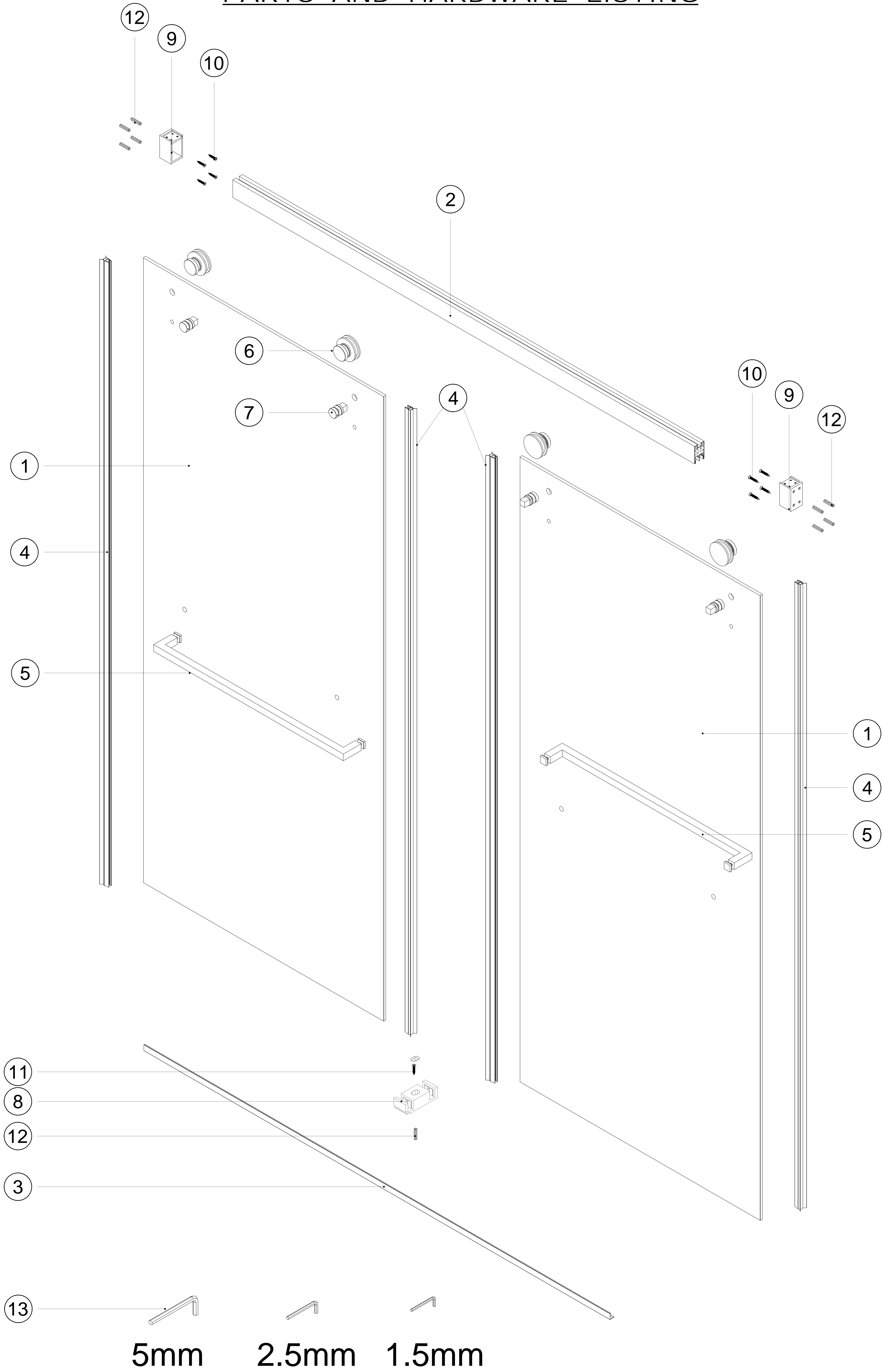
KL-YC5614222-6070



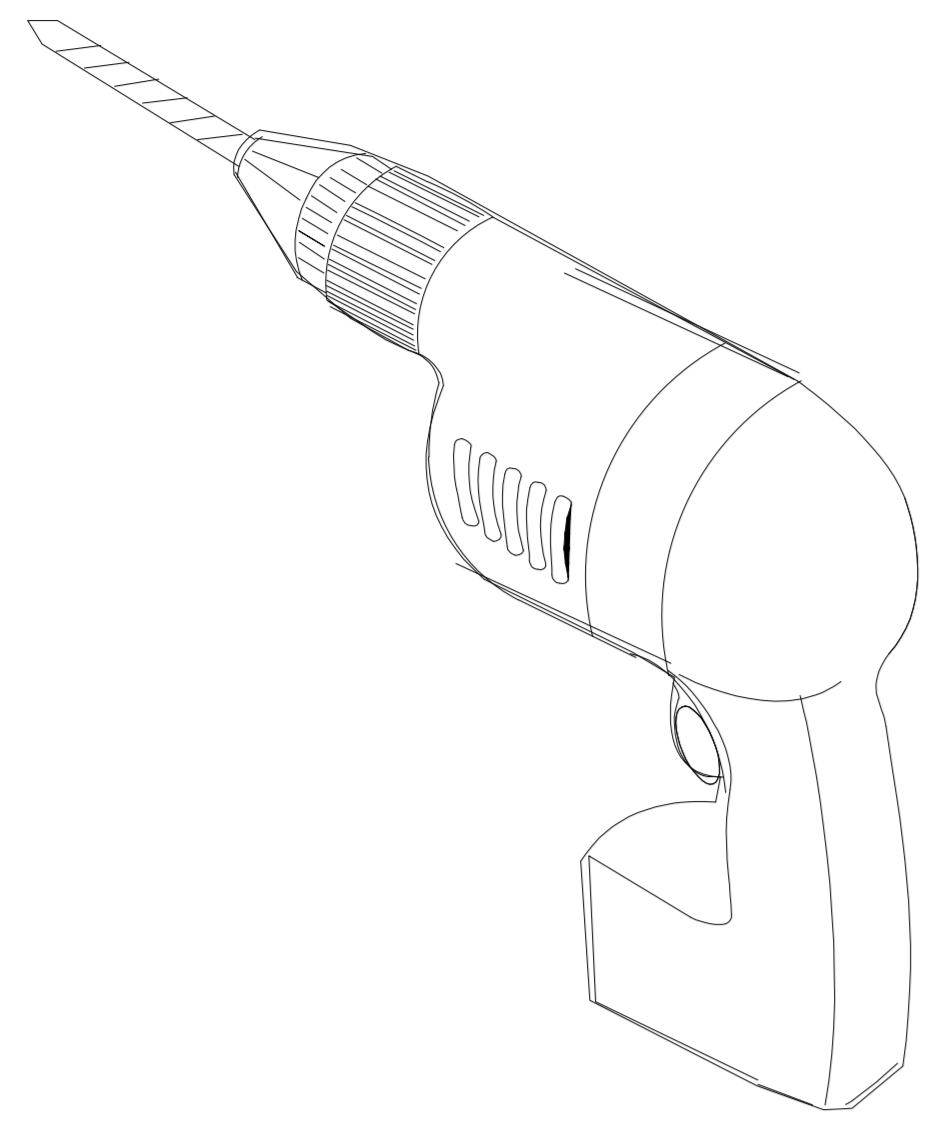
PARTS AND HARDWARE LISTING

ITEM	NAME	QTY	PICTURE
①	Tempered glass	2	
②	Top rail	1	
③	Bottom waterproof strip	1	
④	Waterproof tape	4	
⑤	Handle	2	
⑥	pulley	4	
⑦	Anti-bounce key	4	
⑧	Guide block	1	
⑨	Wall Bracket	2	
⑩	Fixing screws 5mm x 35mm	10	
⑪	Fixing screws 4mm x 25mm	2	
⑫	Hollow wall plugs	12	
⑬	Allen key (1.5mm&2.5mm&5mm)	3	

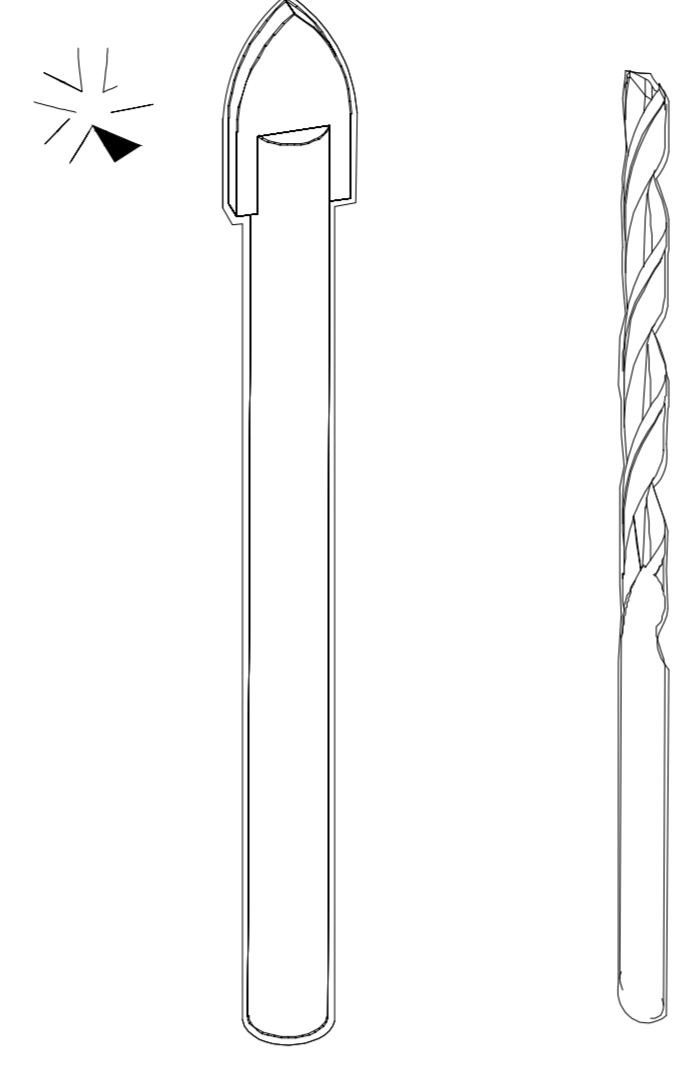
PARTS AND HARDWARE LISTING



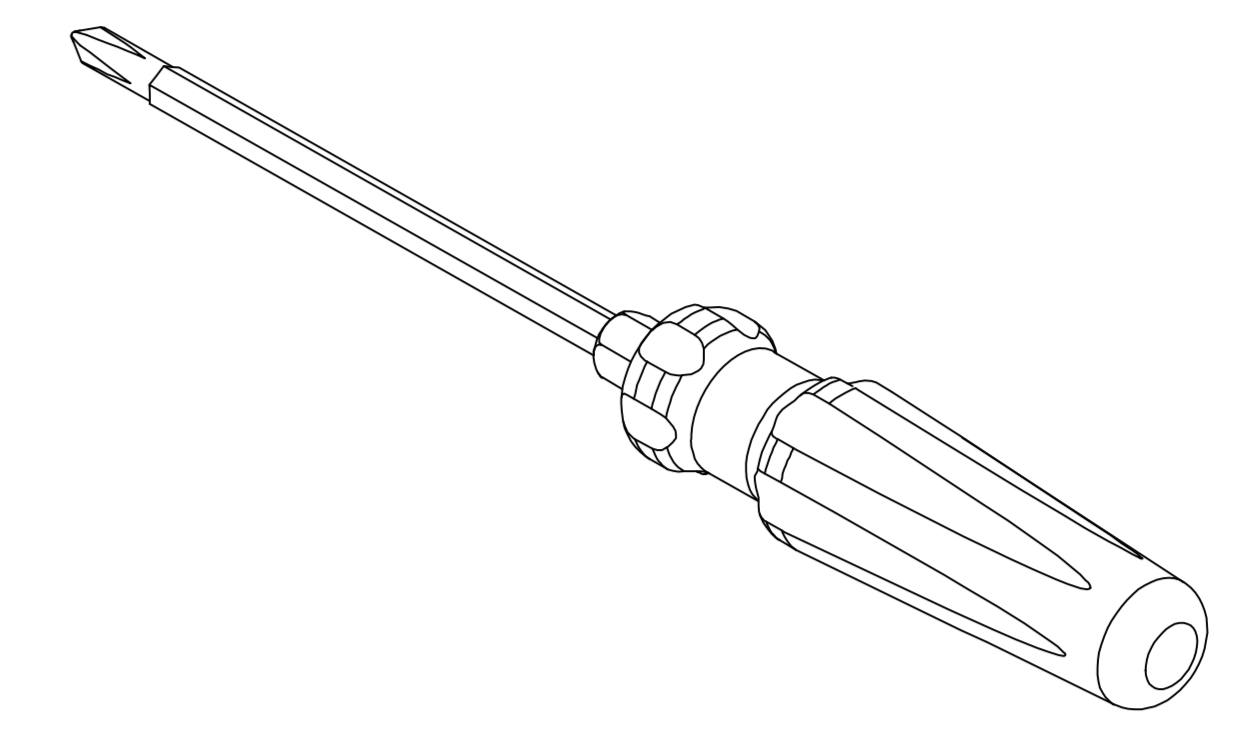
REQUIRED TOOLS



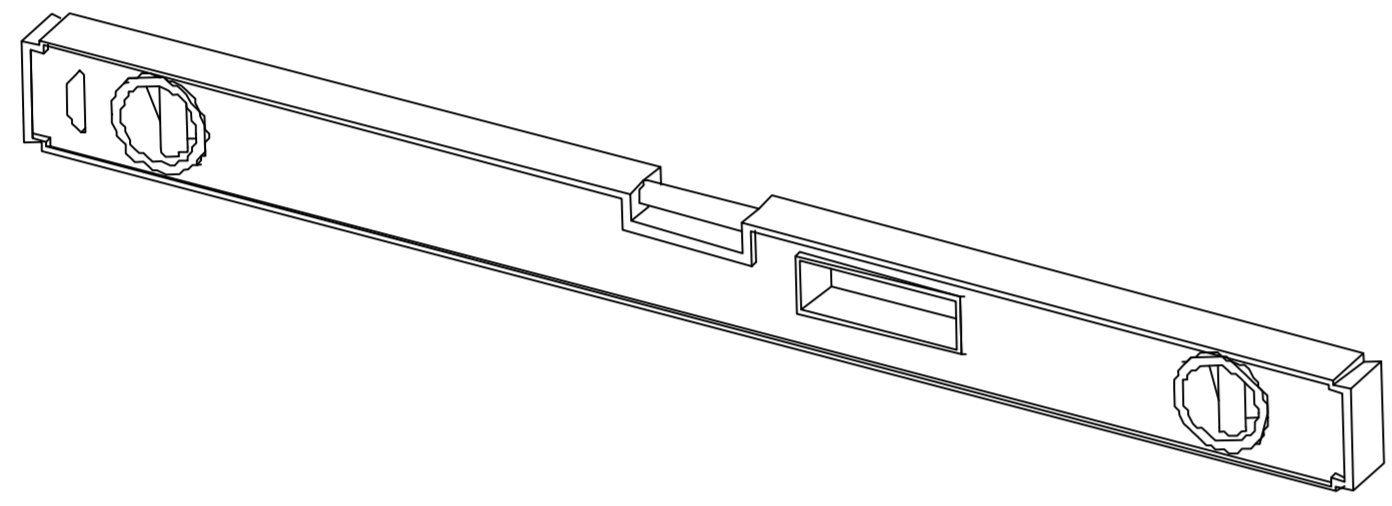
1. DRILL



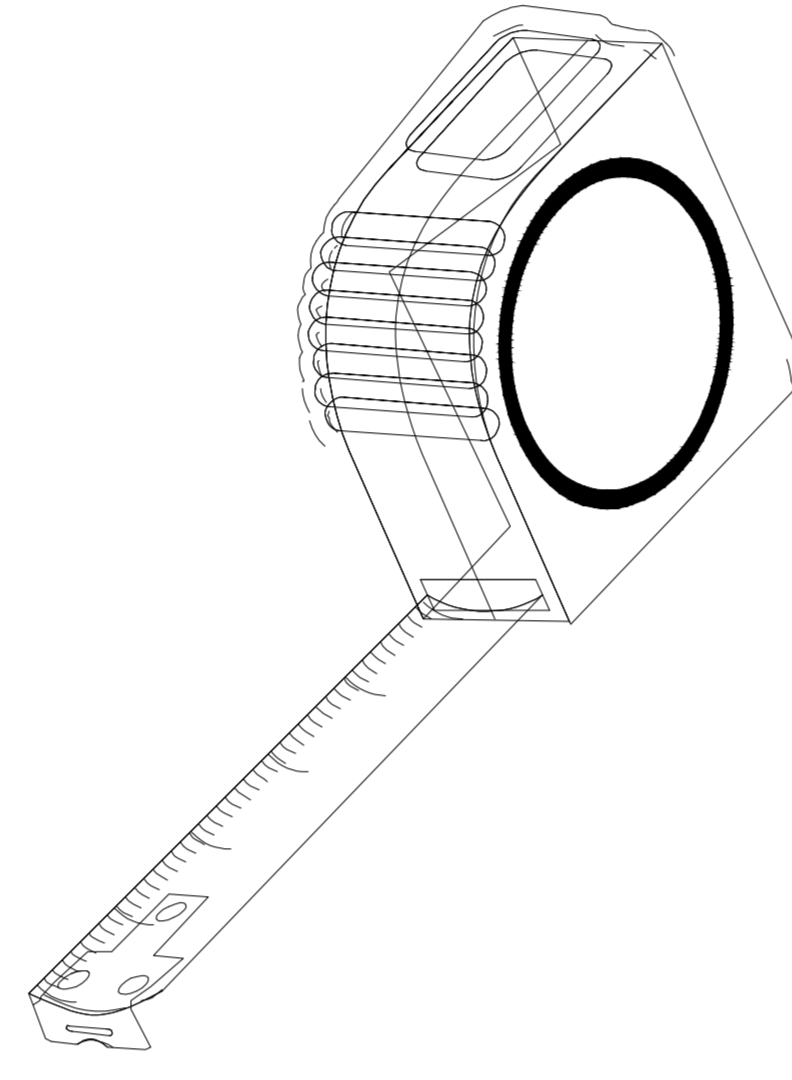
2. DRILL BITS
1/4" & 1/8"



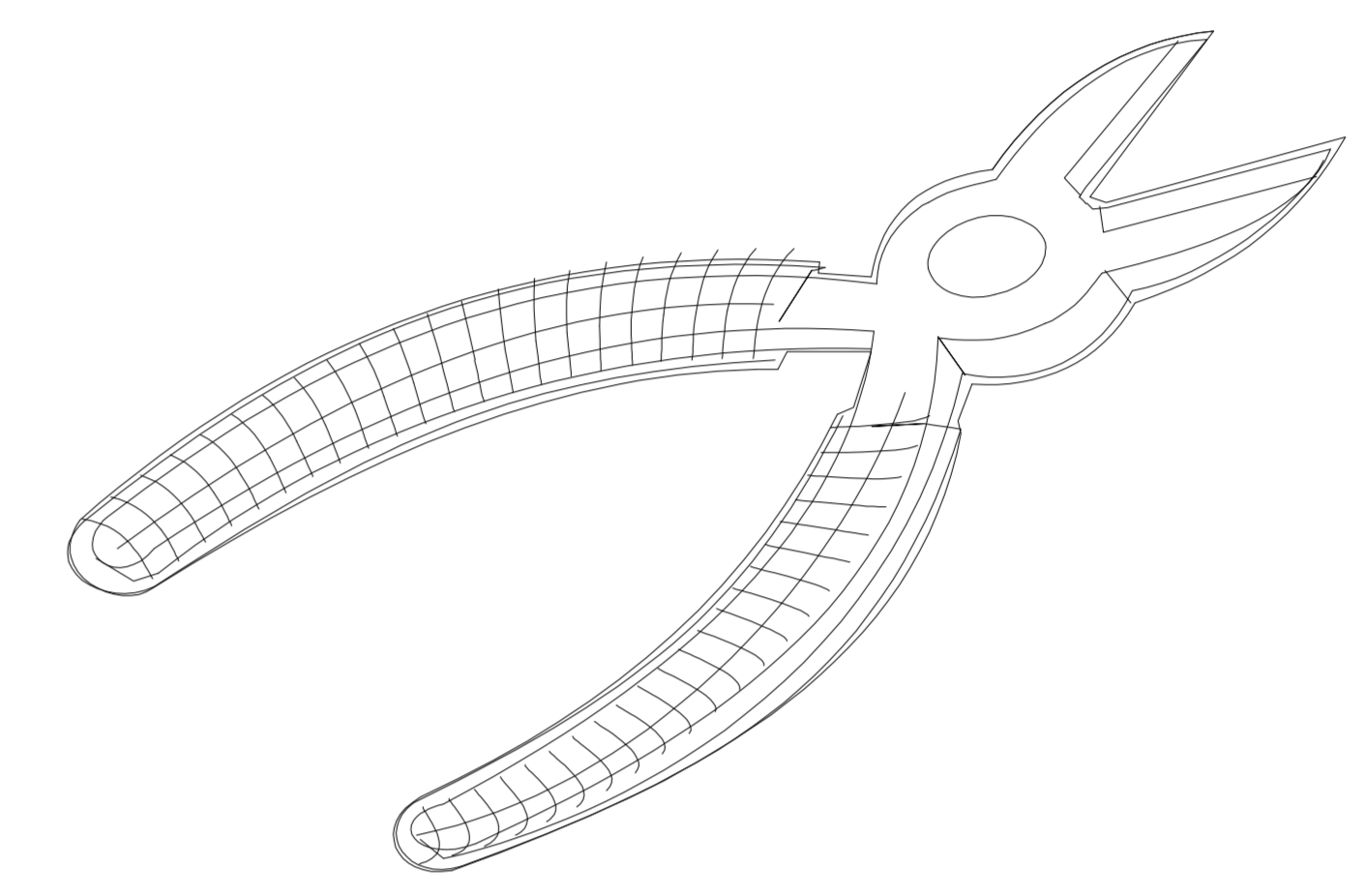
3. SCREWDRIVER



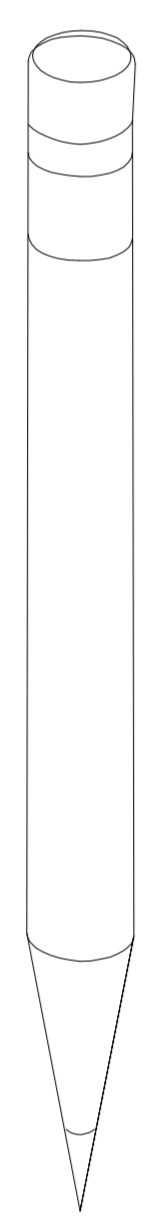
4. LEVEL



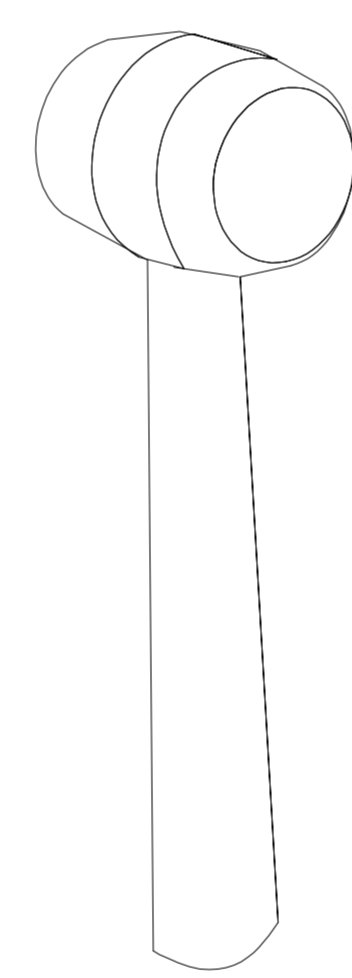
5. TAPE MEASURE



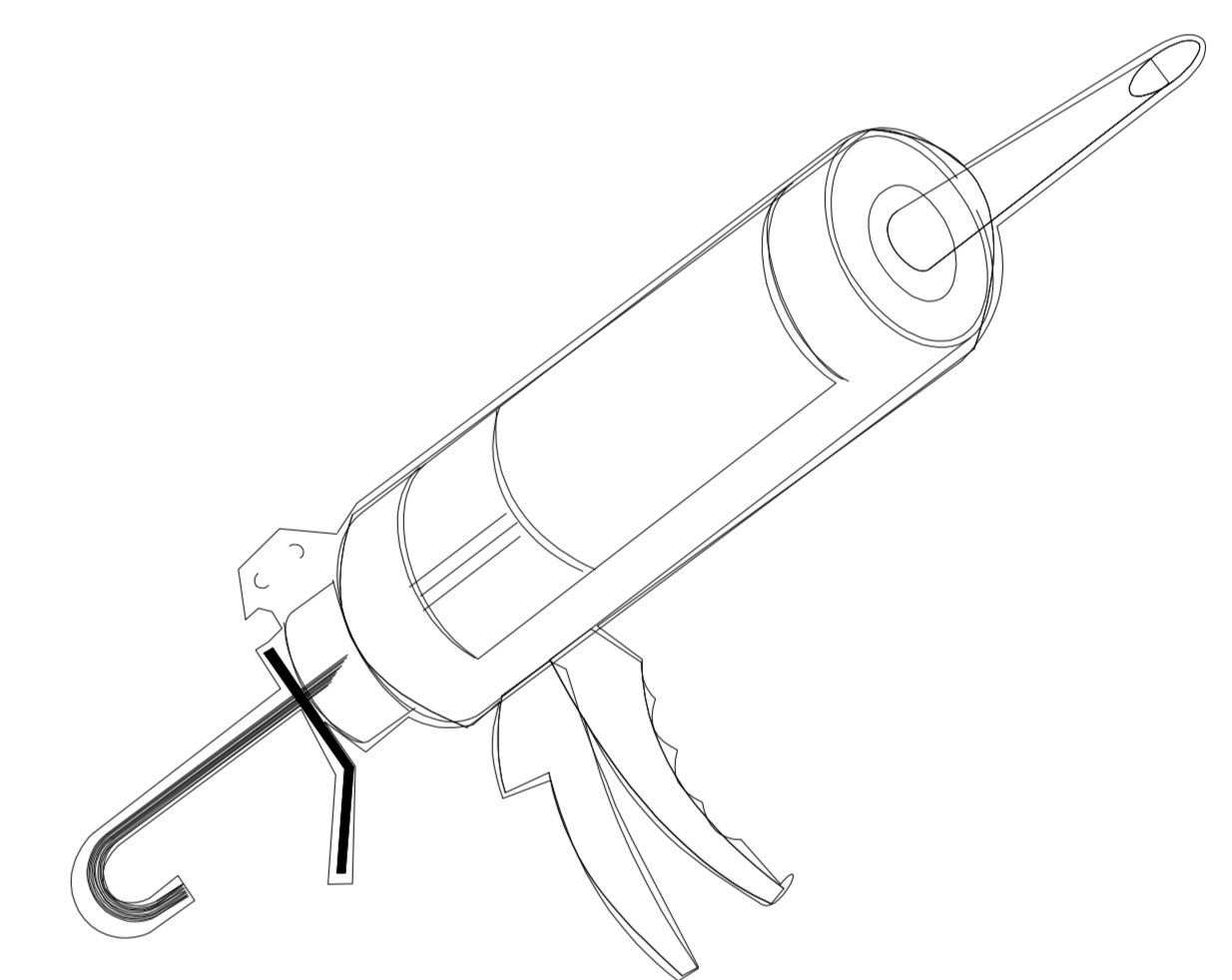
6. CUTTING PLIER



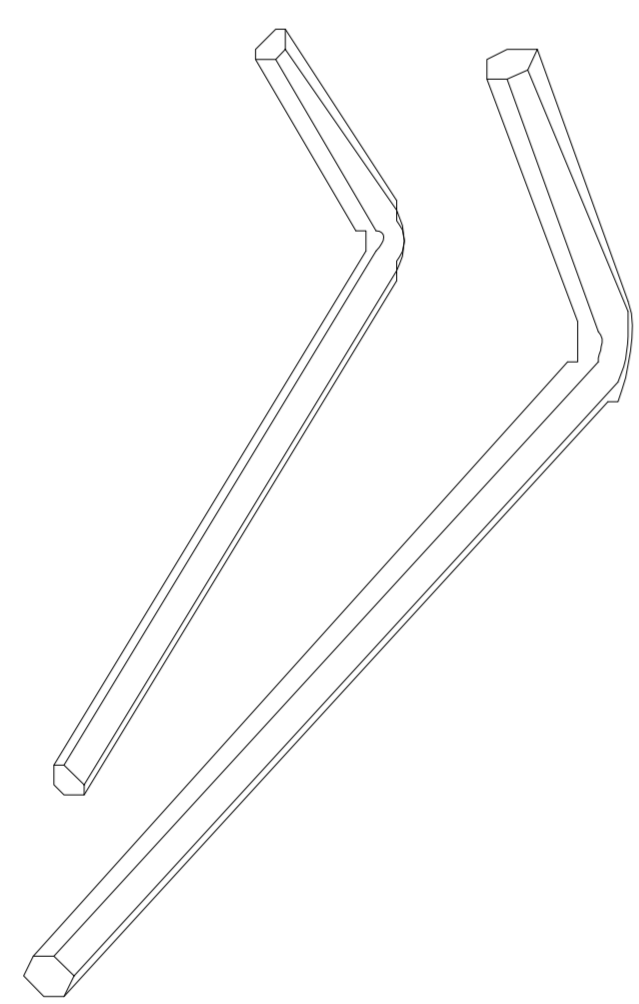
7. PENCIL



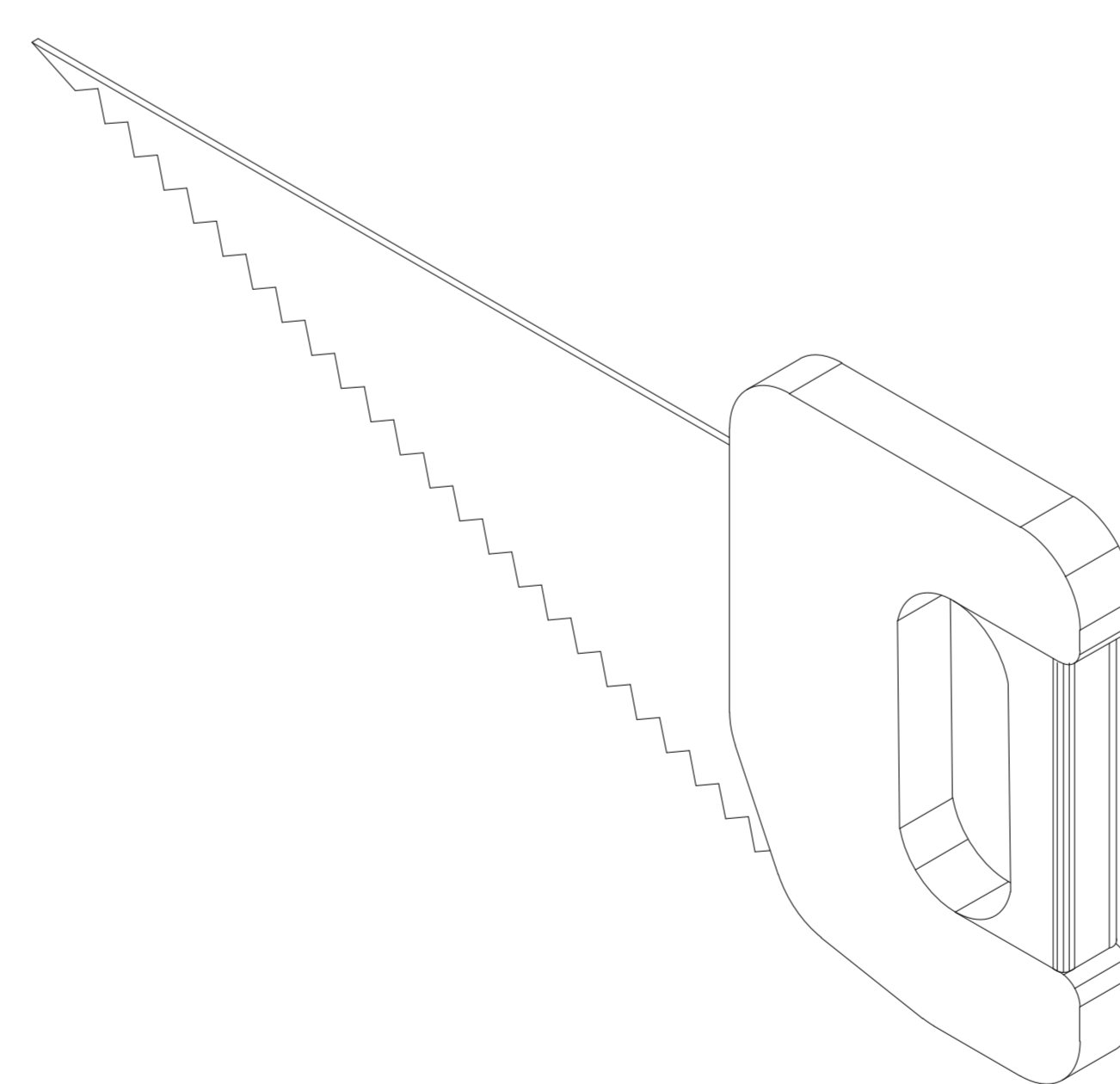
8. MALLET



9. SILICONE



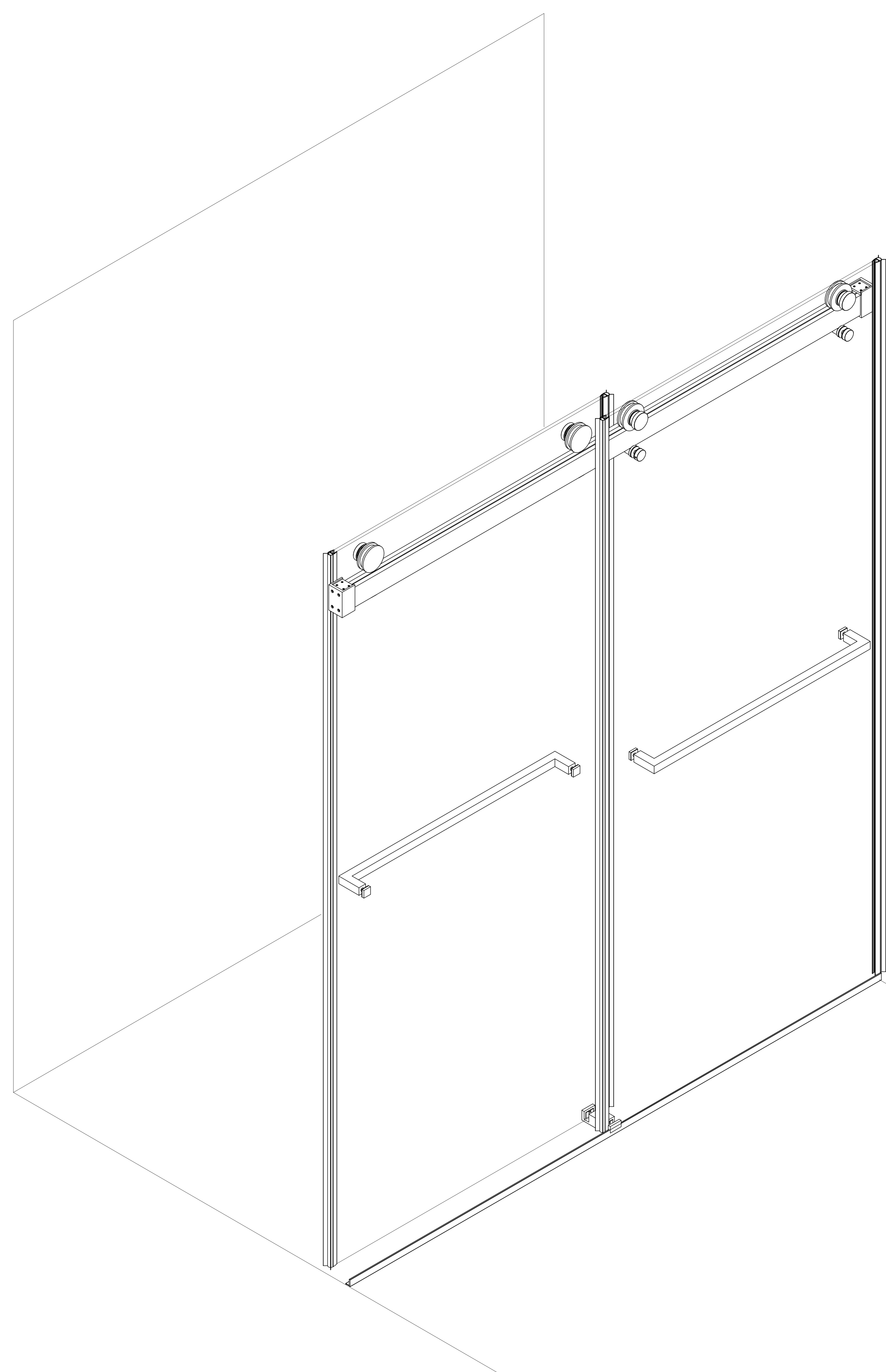
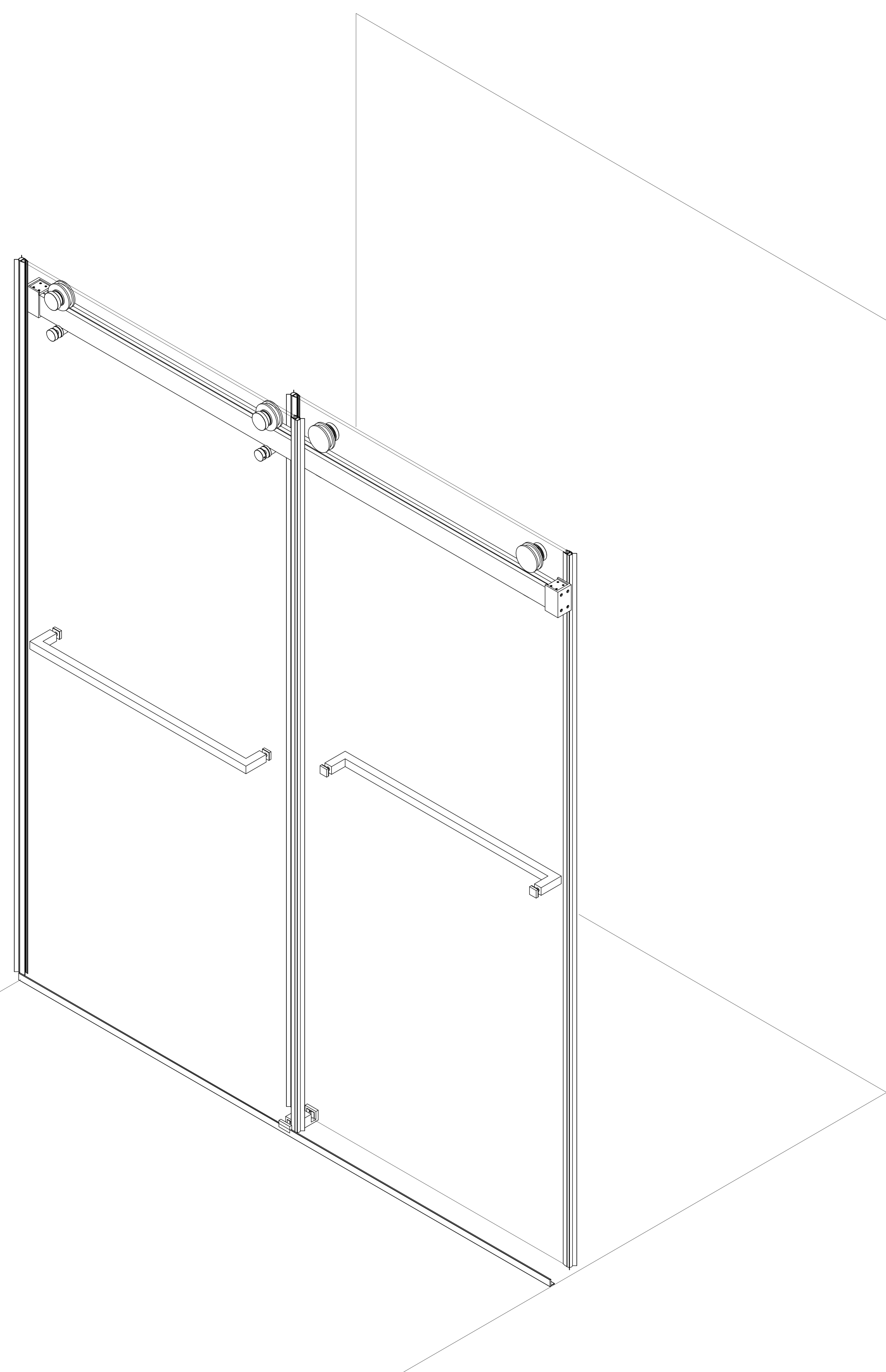
10. ALLEN KEY
1.5mm&2.5mm&5mm



11. SAW

* Use a 1/4" drill bit for ceramic when drilling into ceramic tiles

Overall Installation displaying

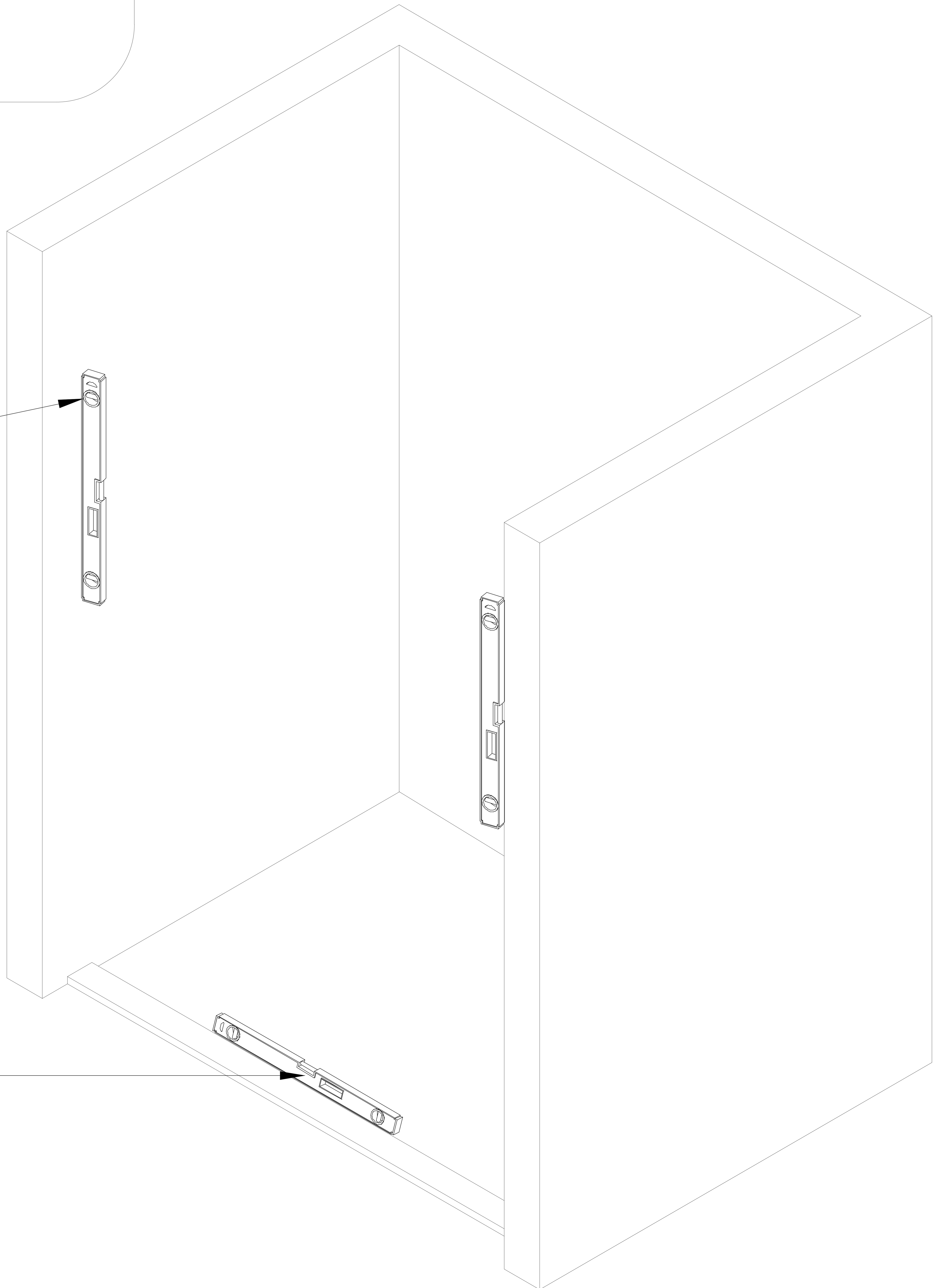
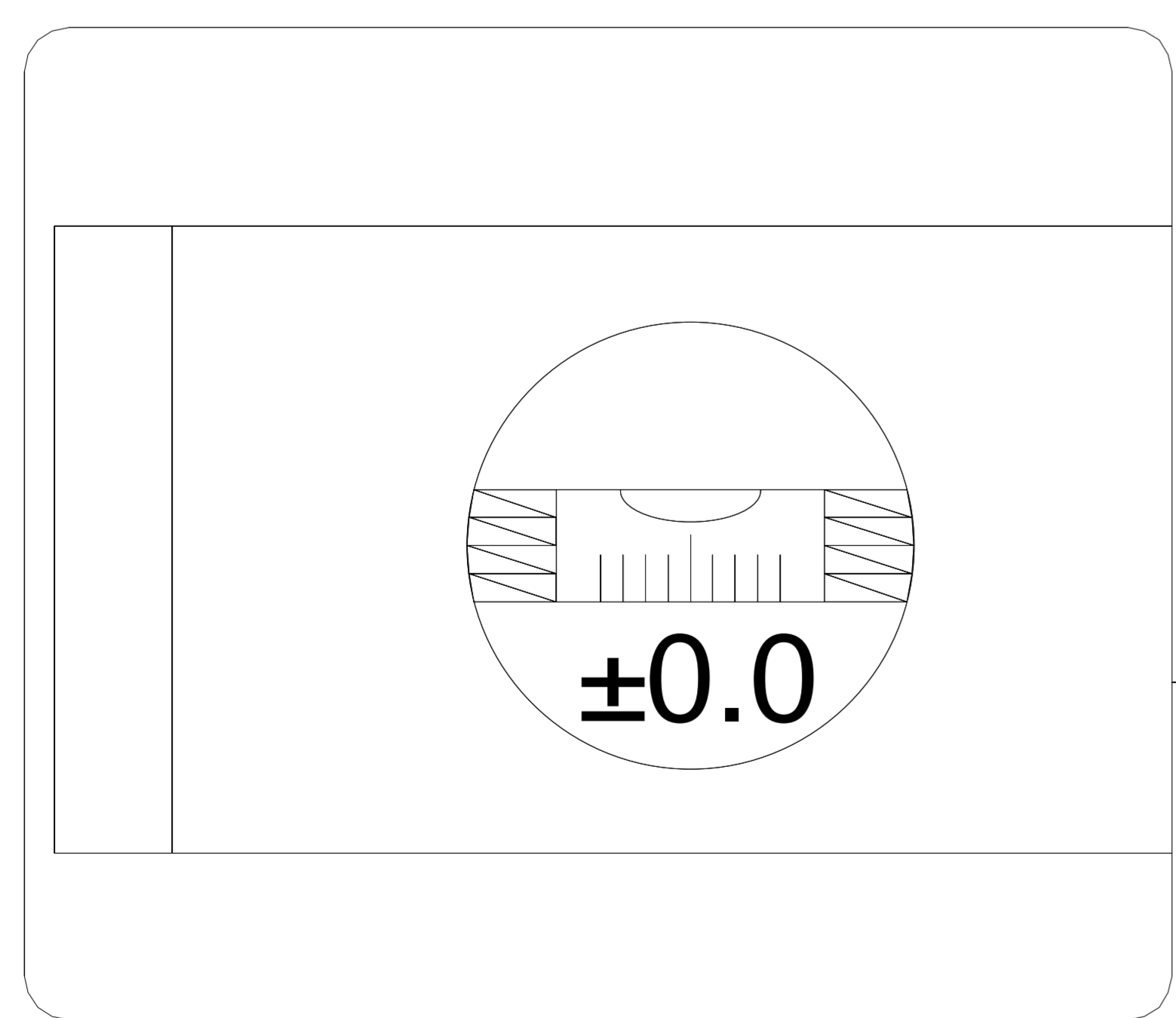
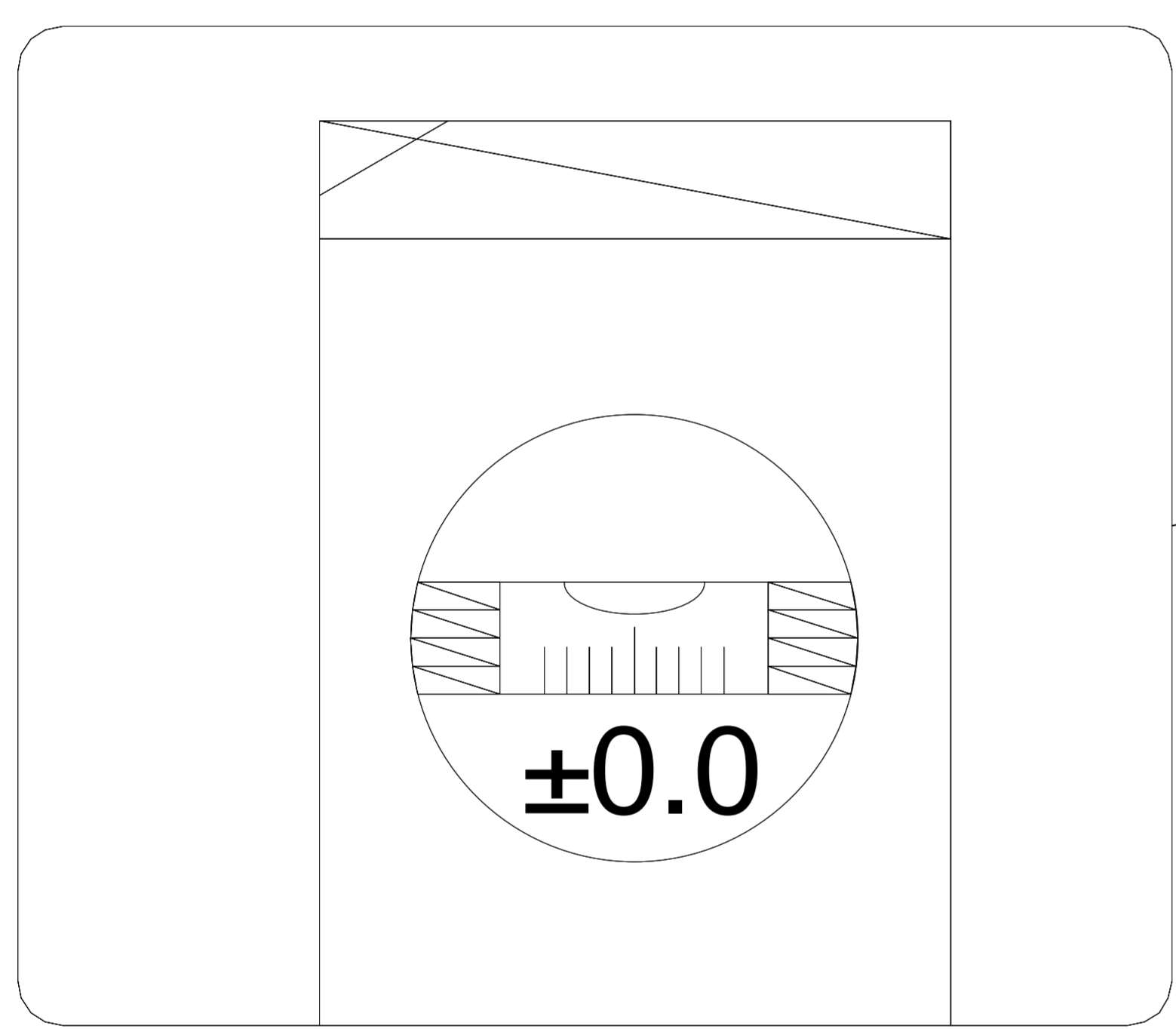


Installation effect diagram of shower enclosure

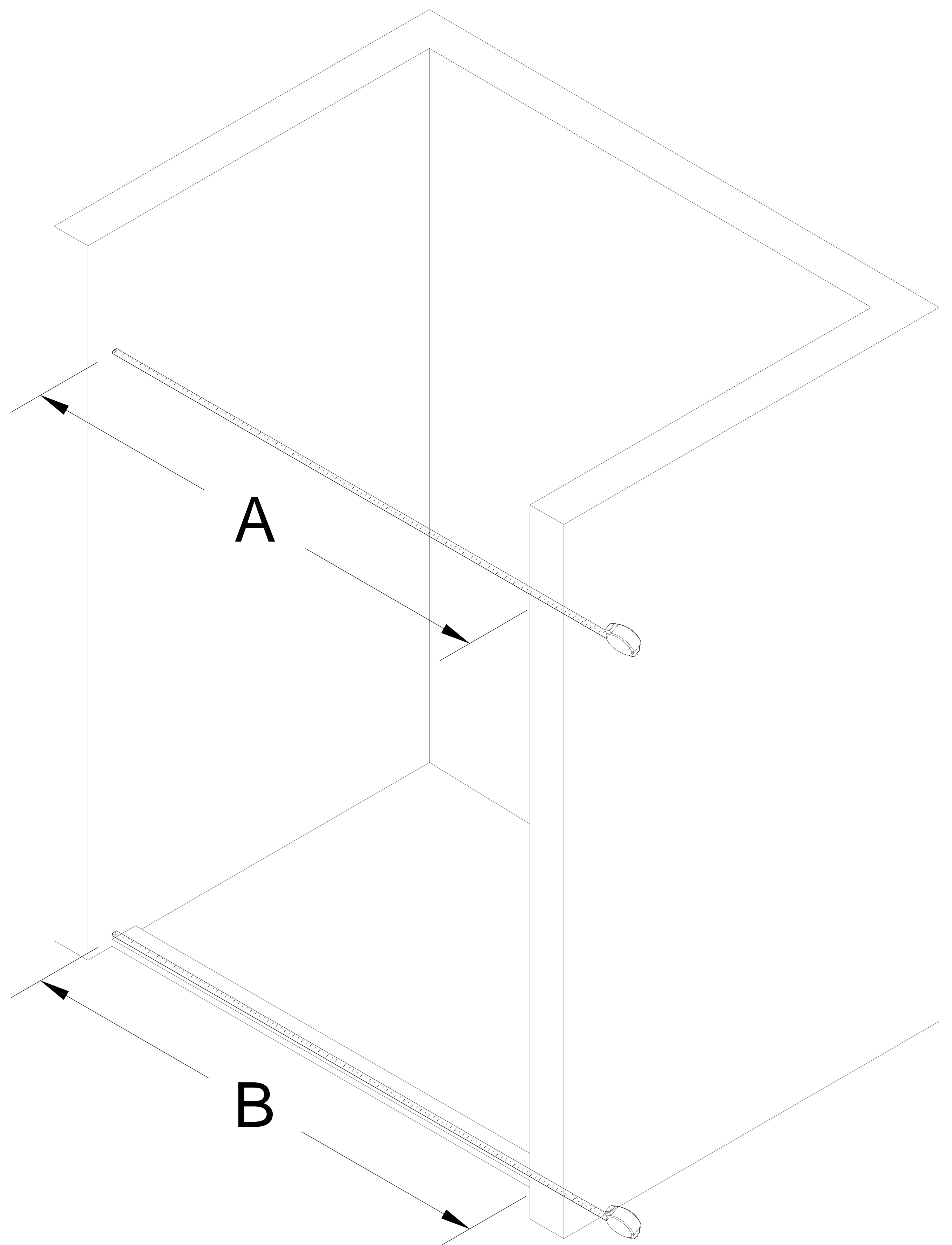


Threshold must be level
Wall must be plumb

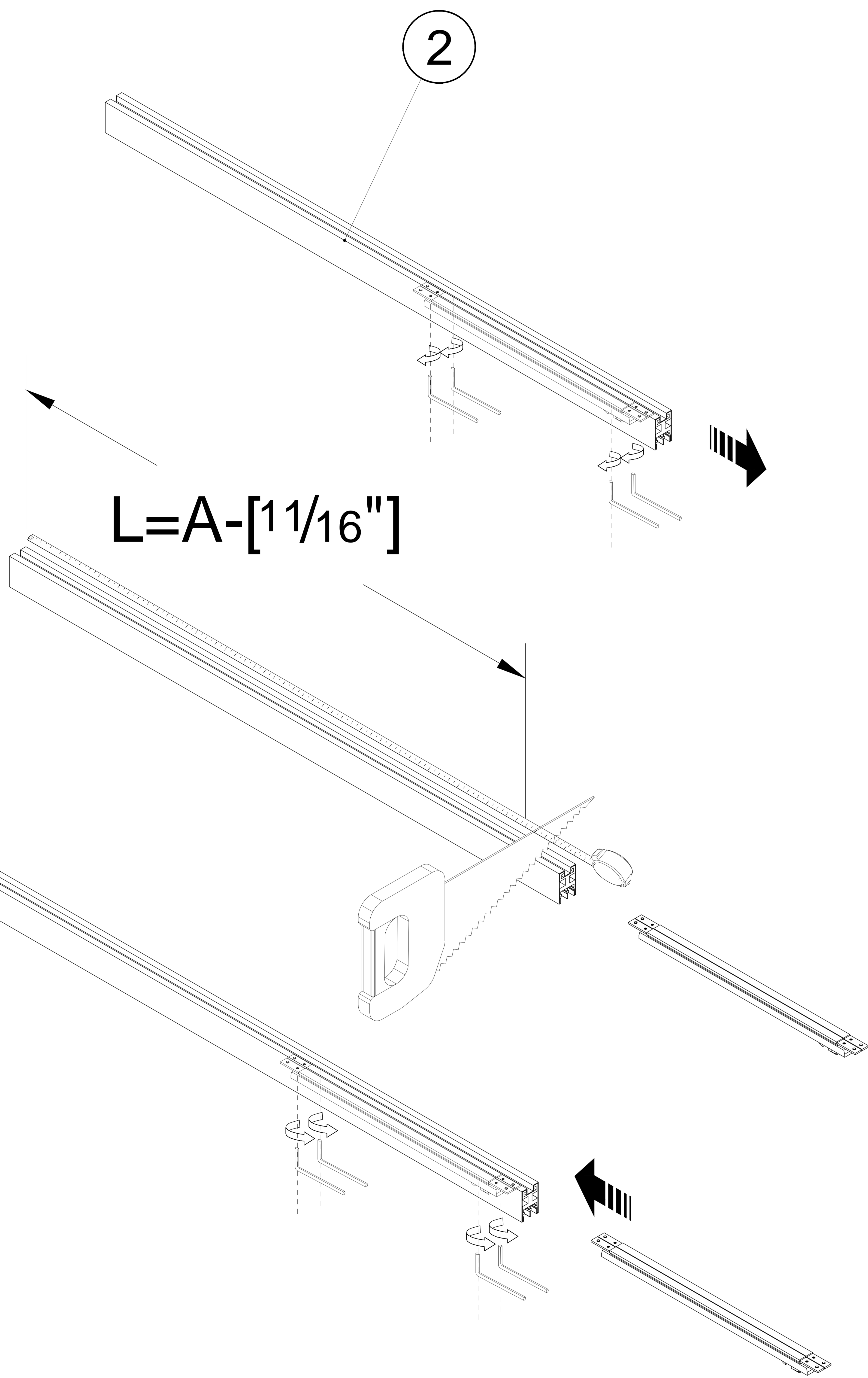
NOTE: This model does not
have adjustment for
out-of-plumb conditions



A	L
[60"]	[59 ⁵ / ₁₆ "]

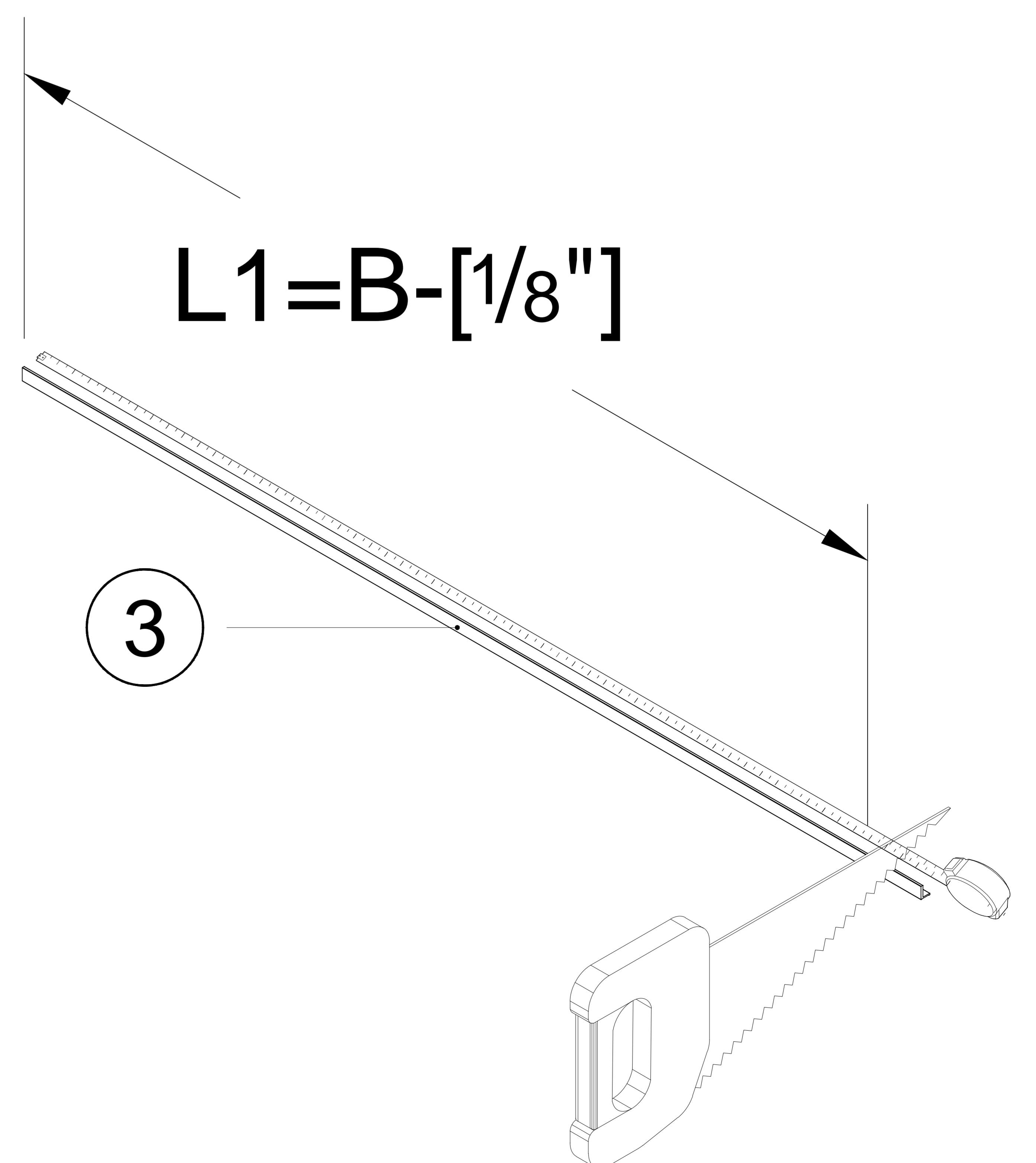


2

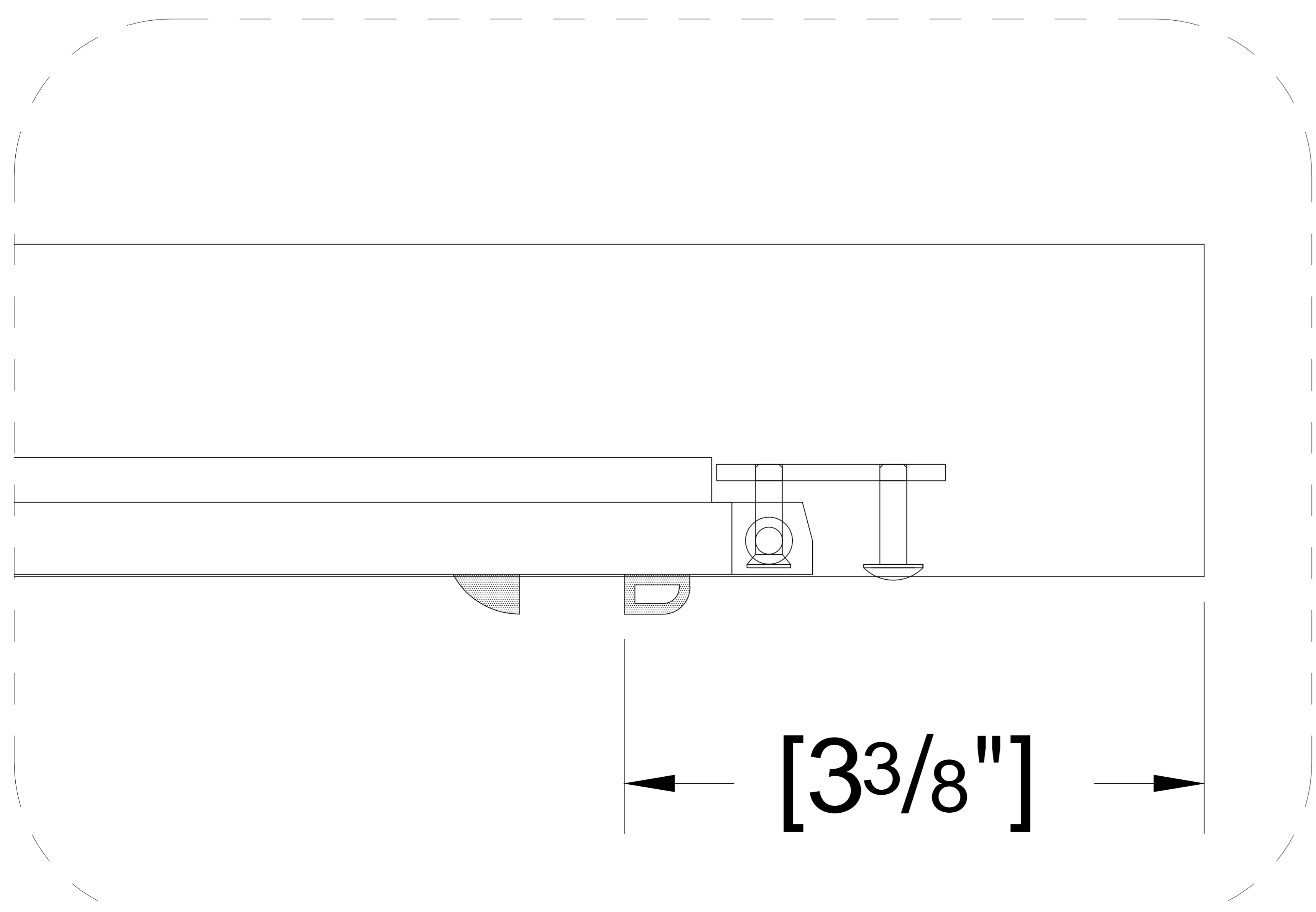


$$L = A - [1 \frac{1}{16}"]$$

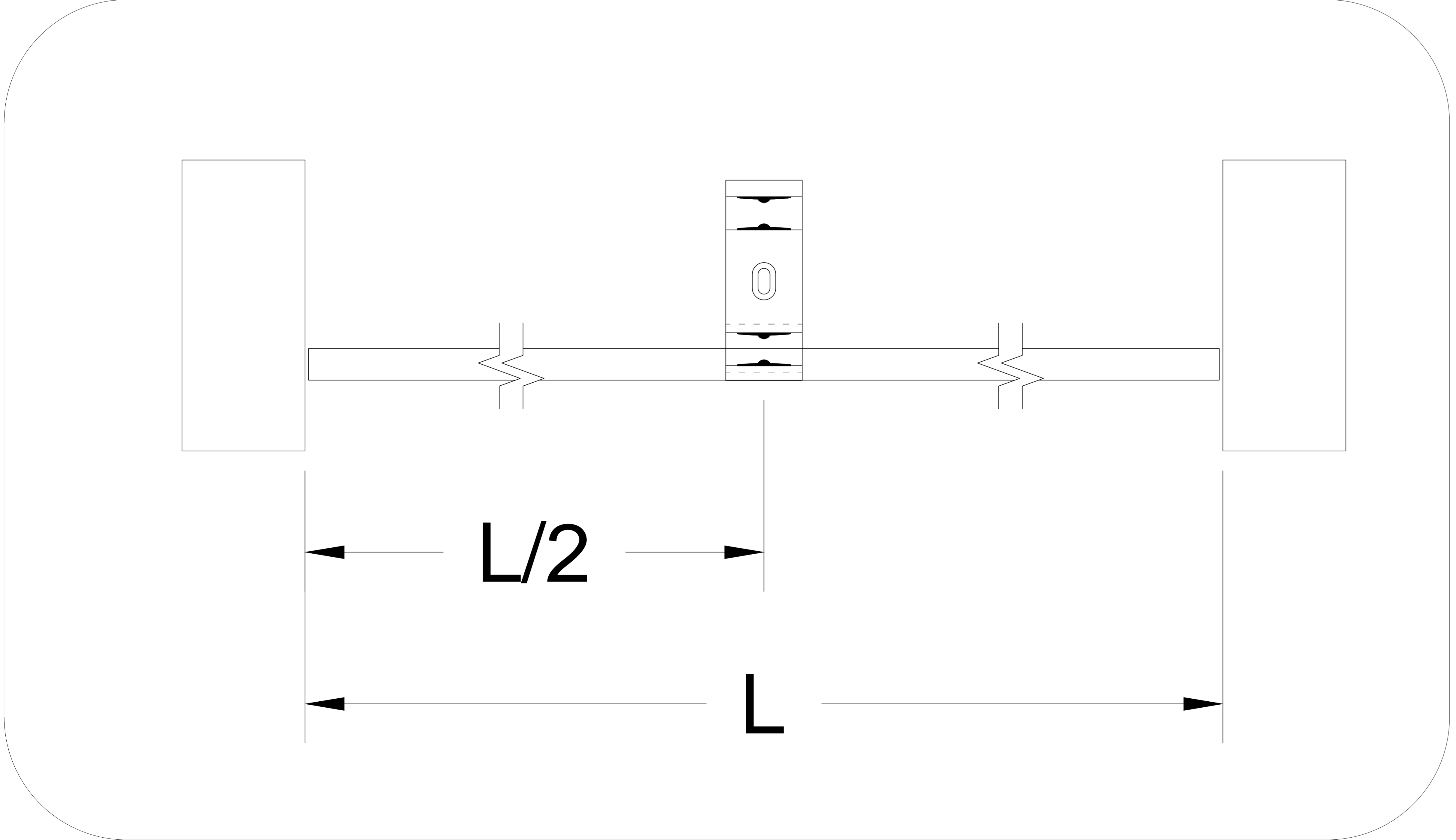
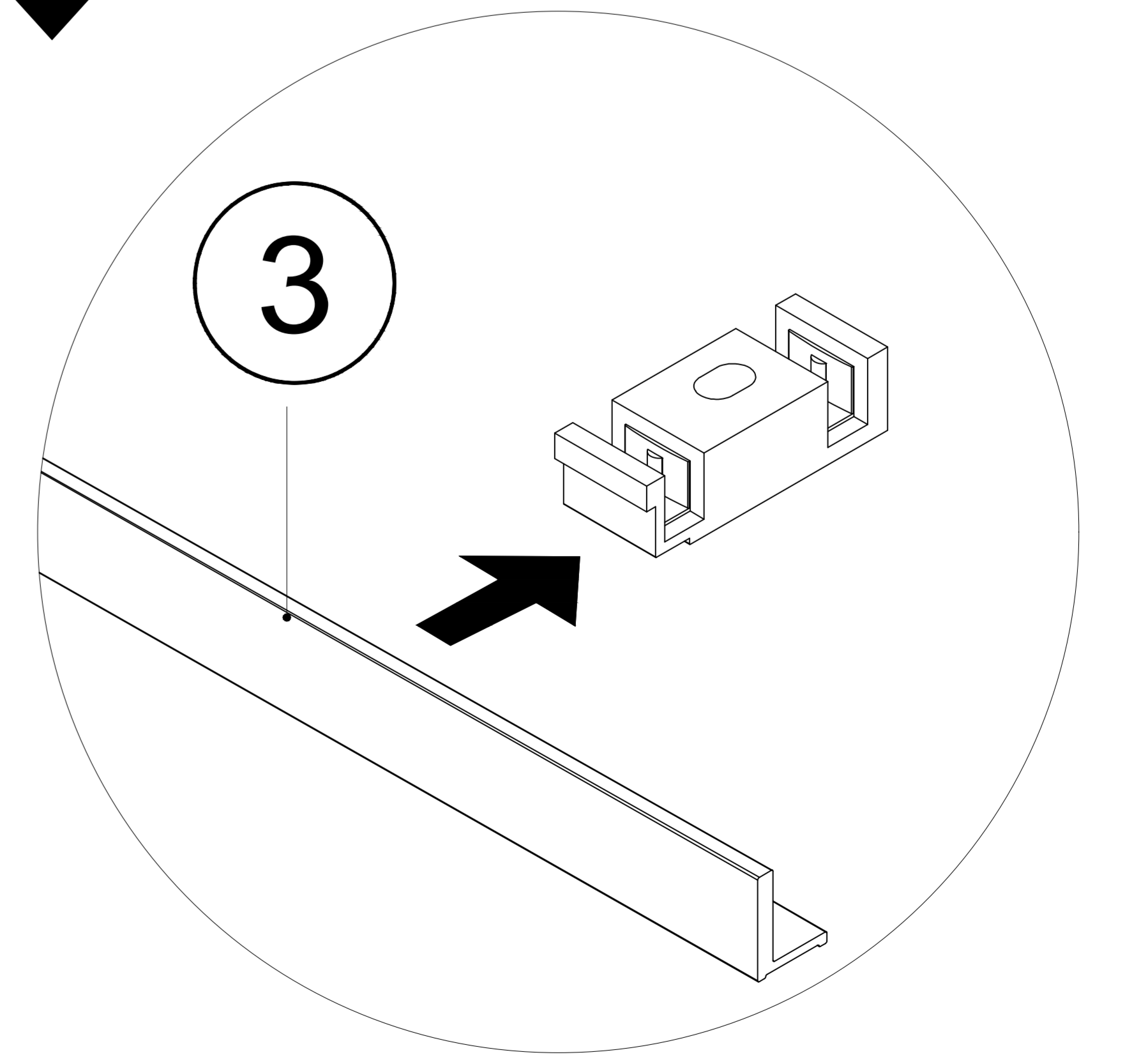
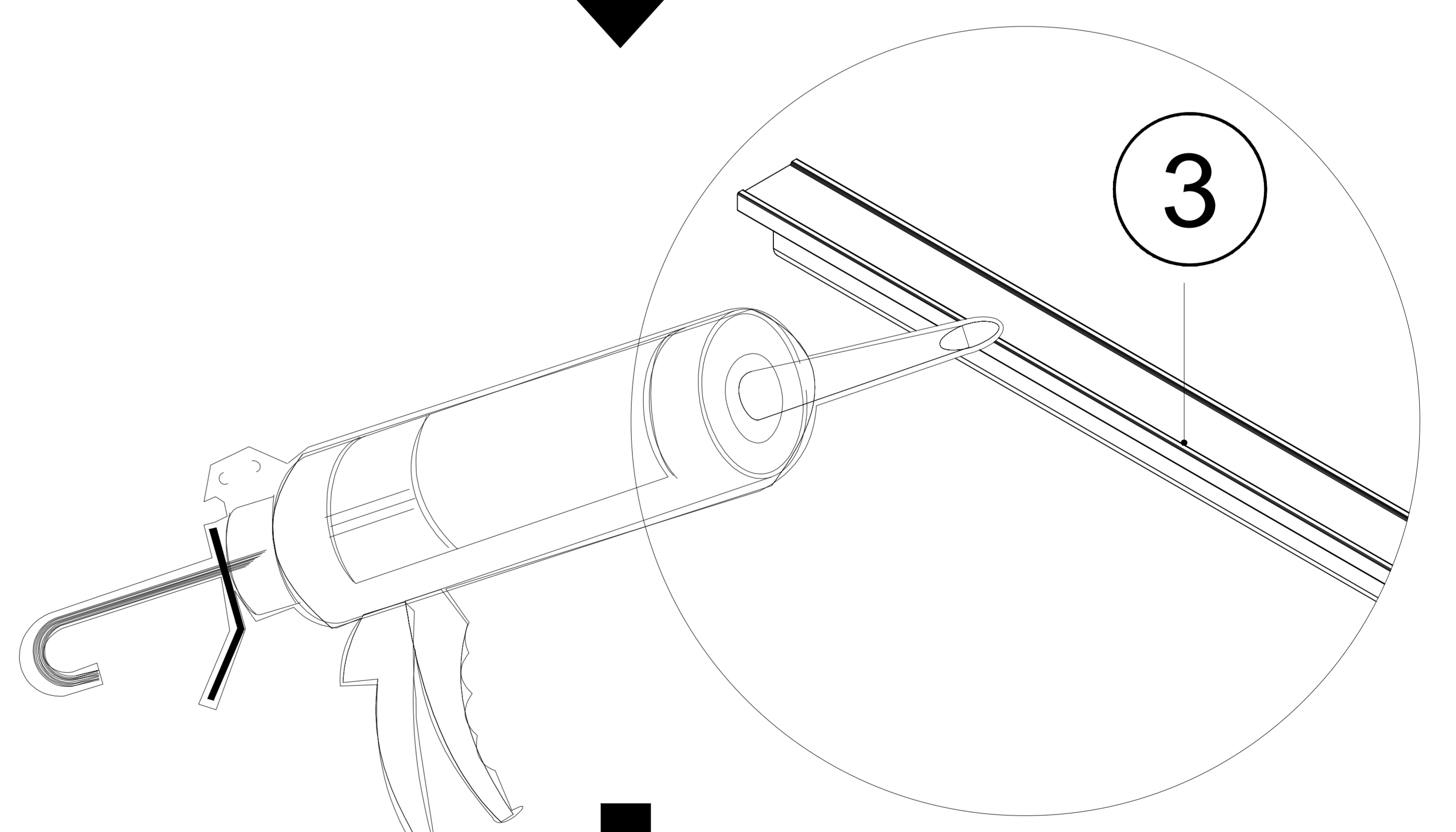
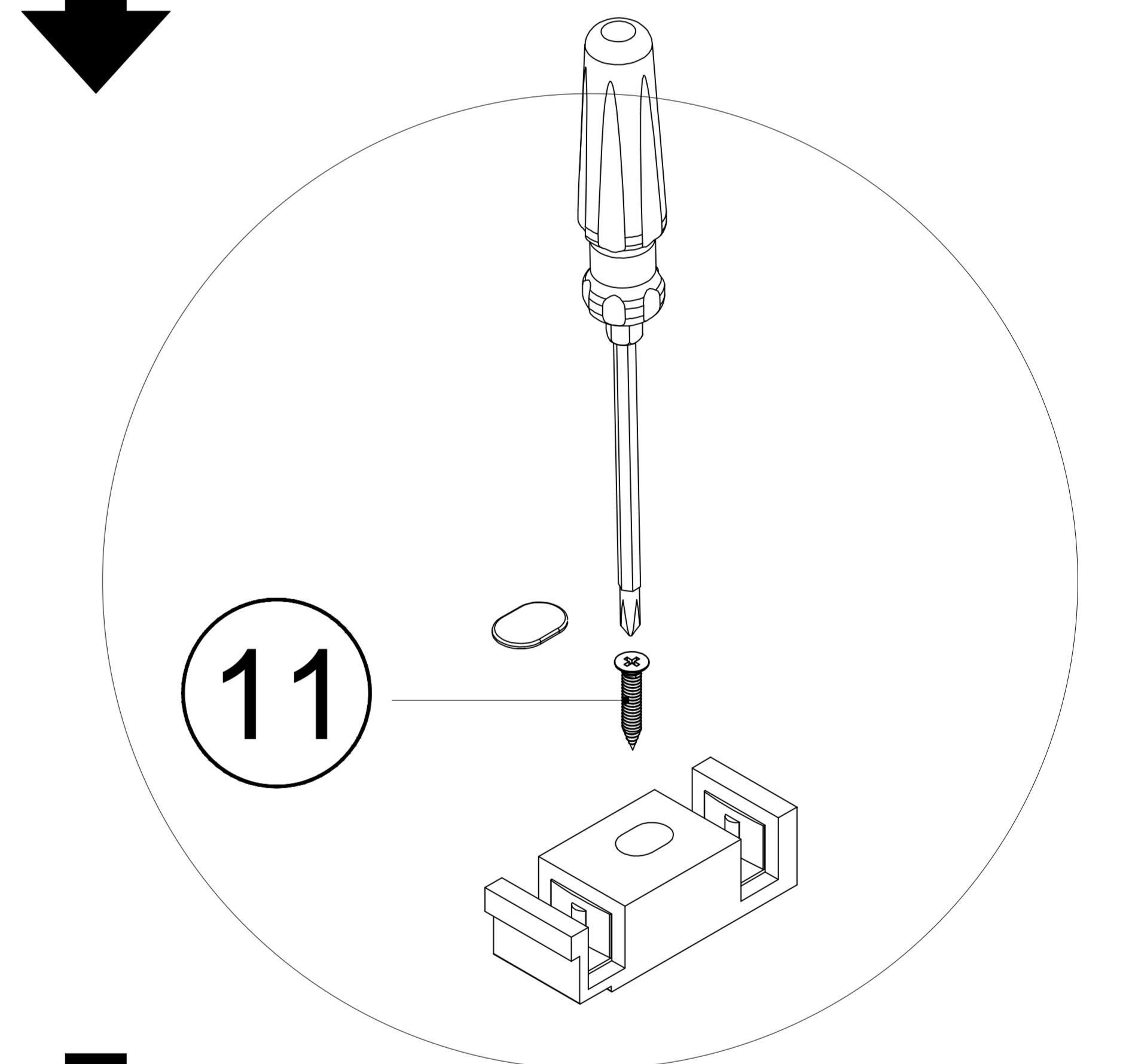
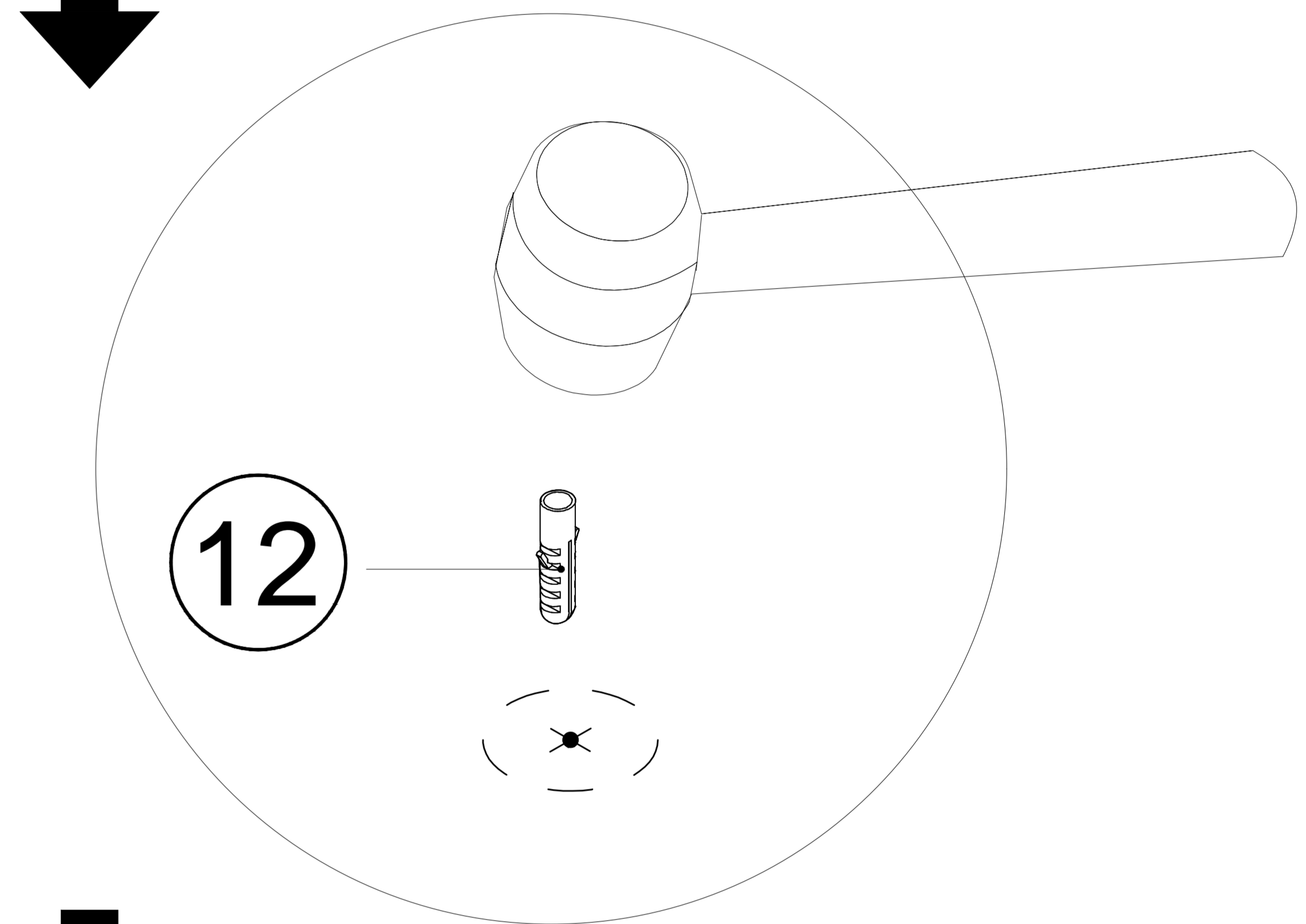
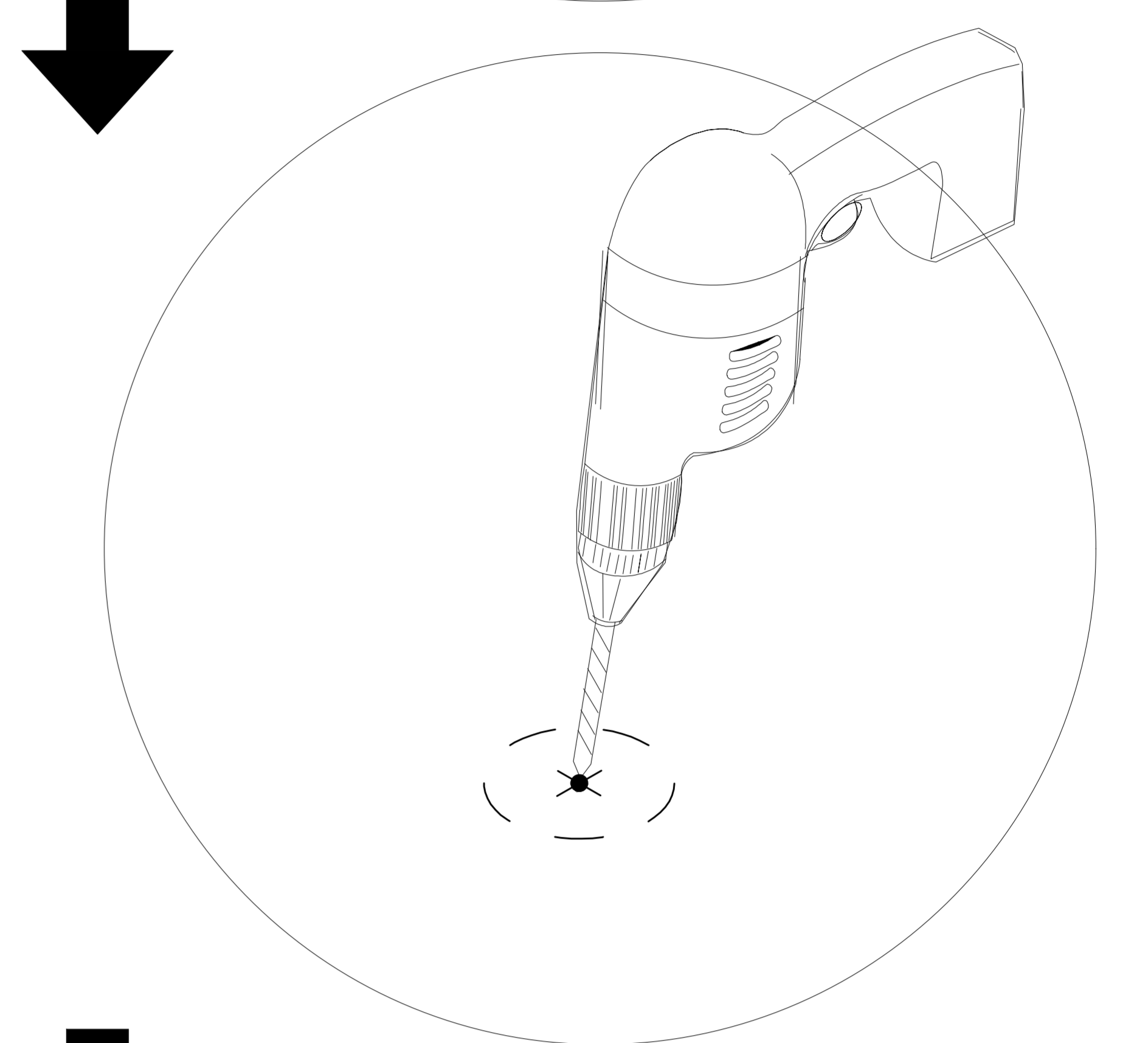
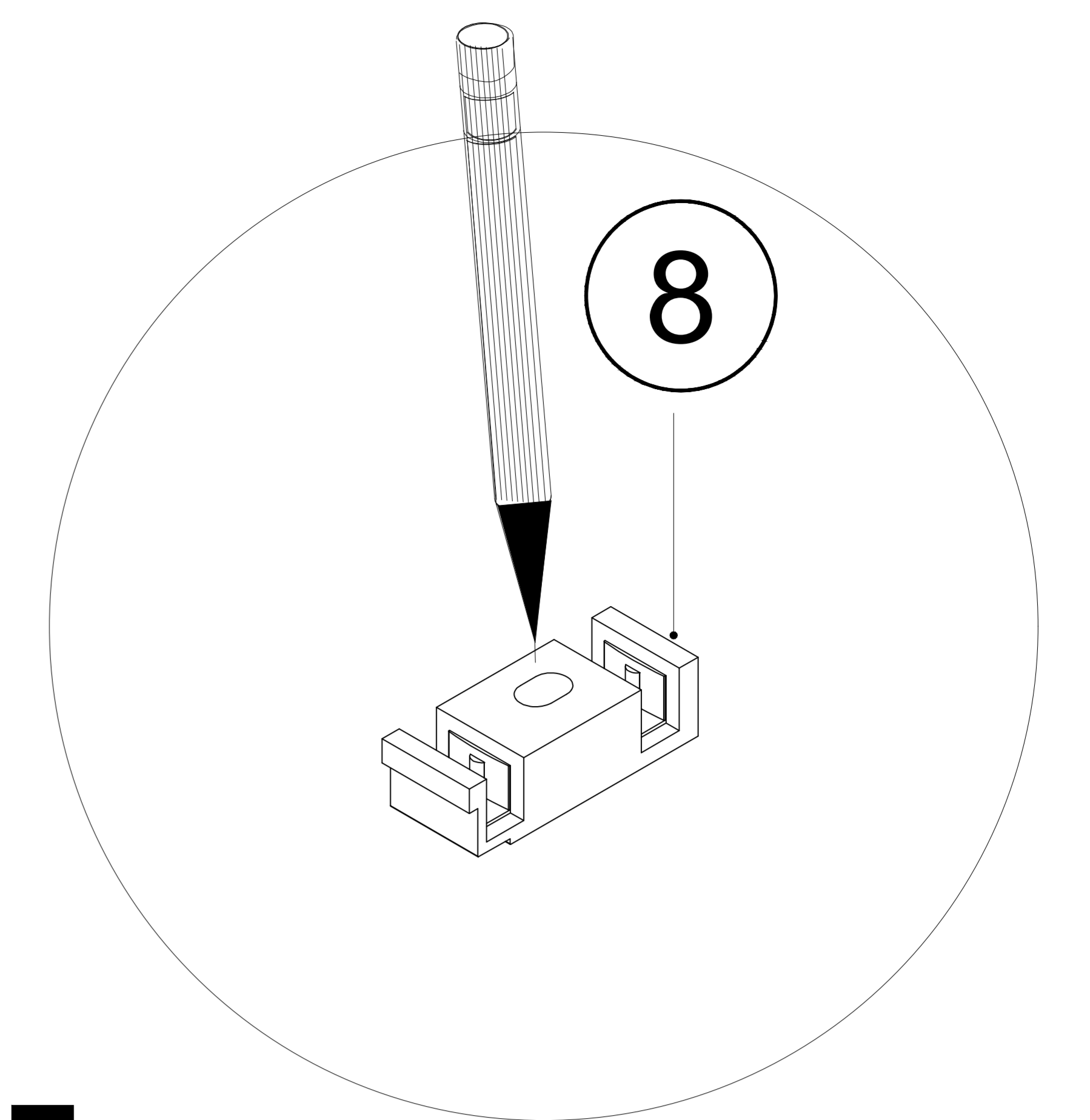
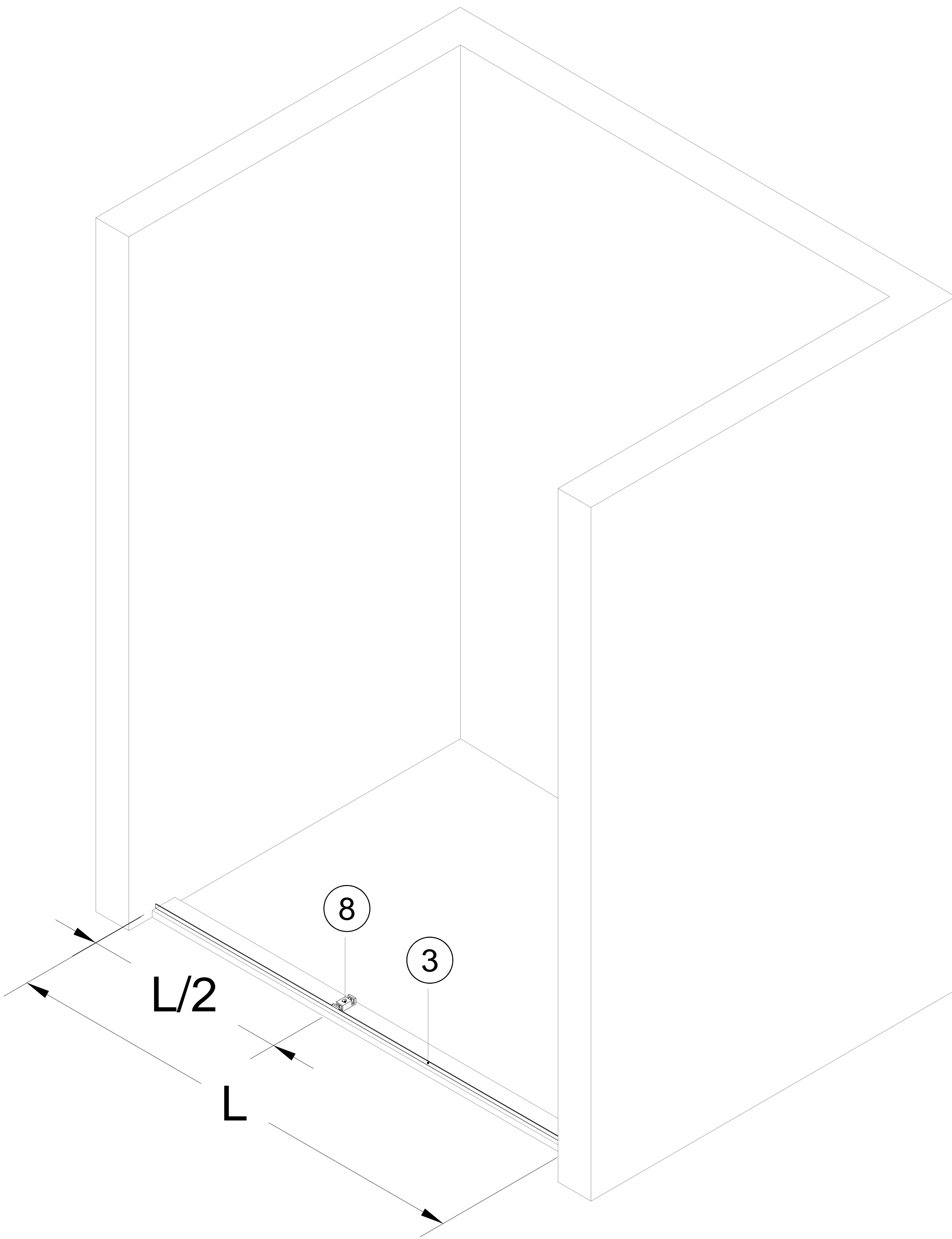
B	L1
[60"]	[59 ⁷ / ₈ "]

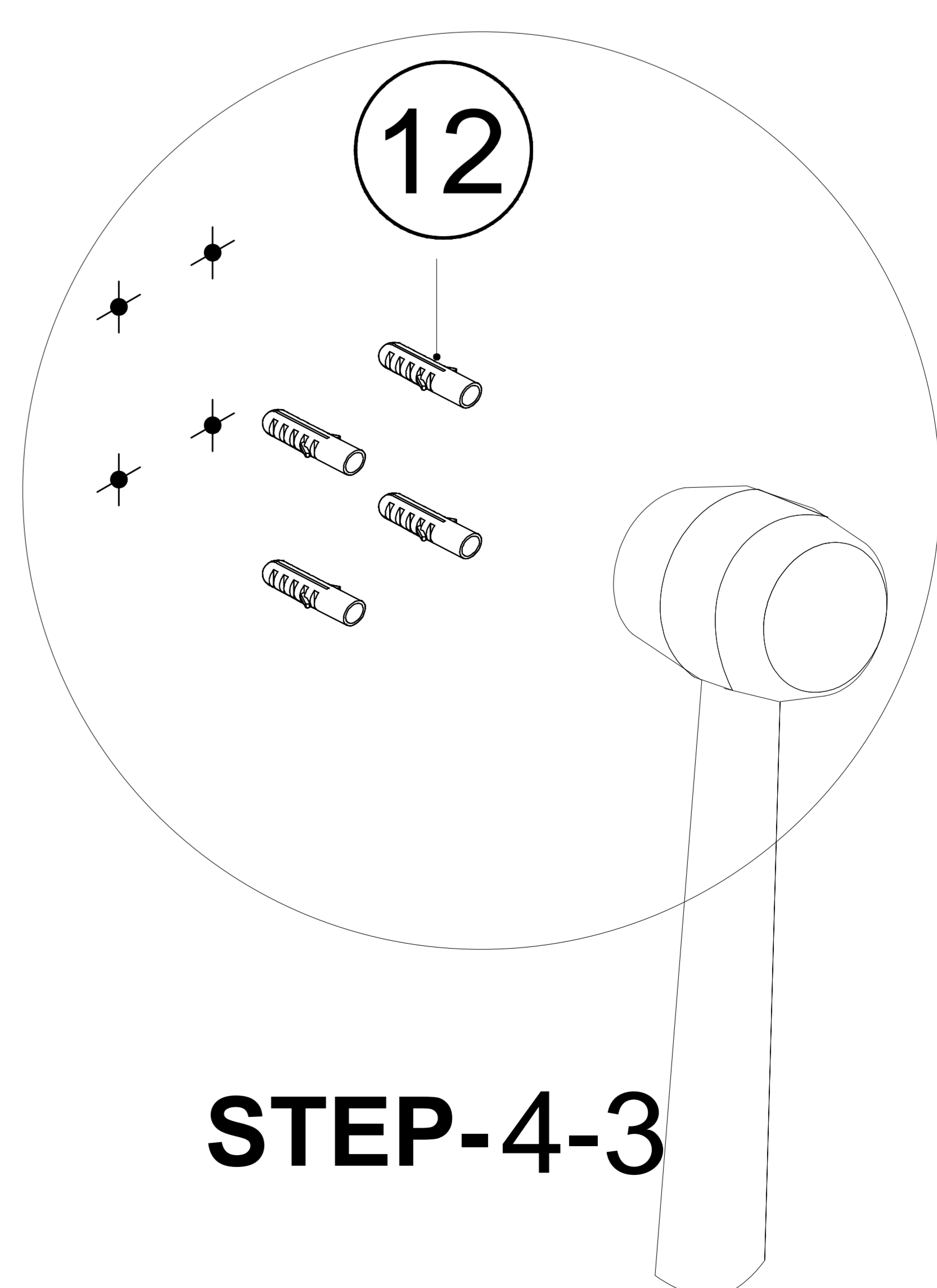
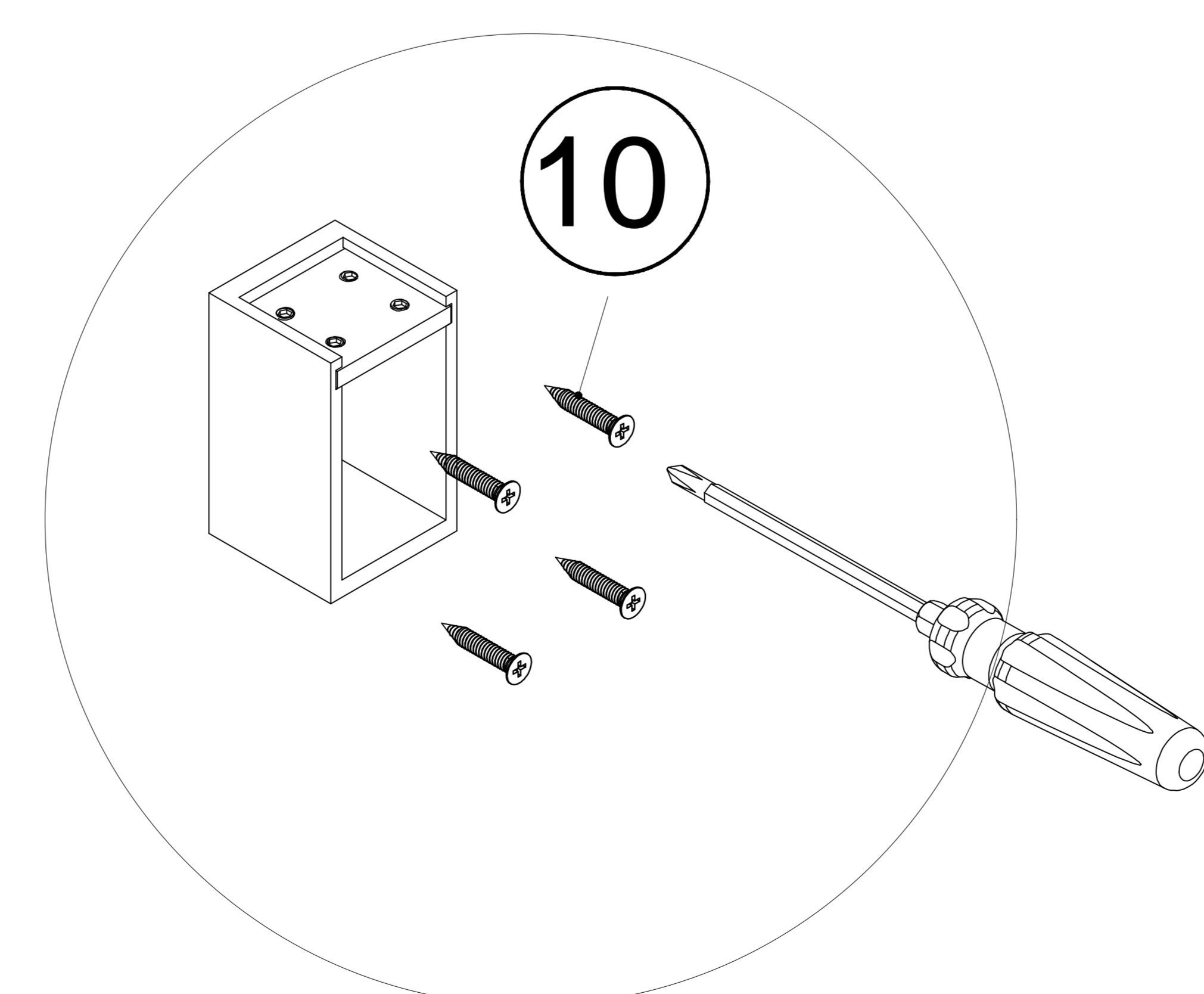
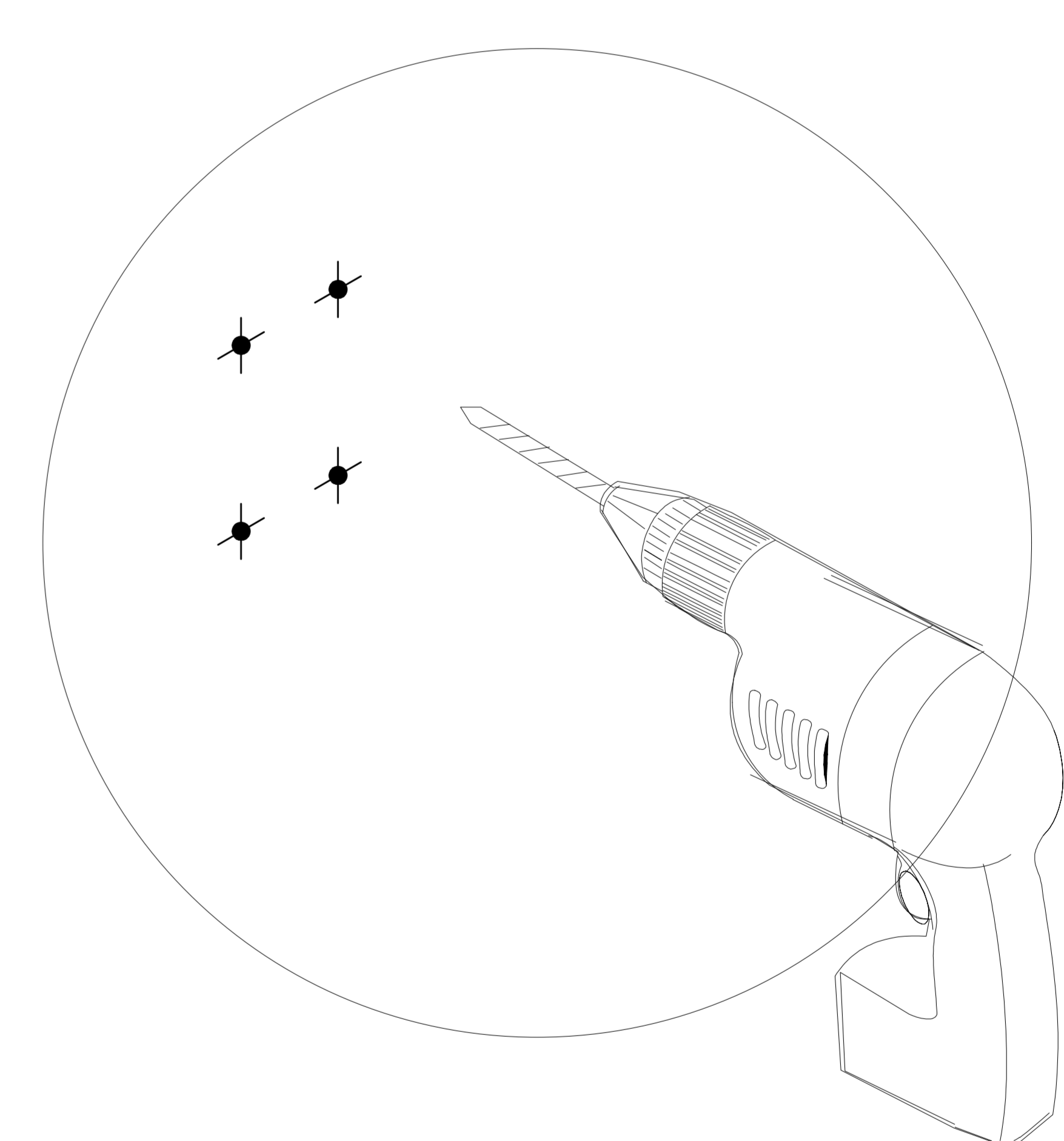
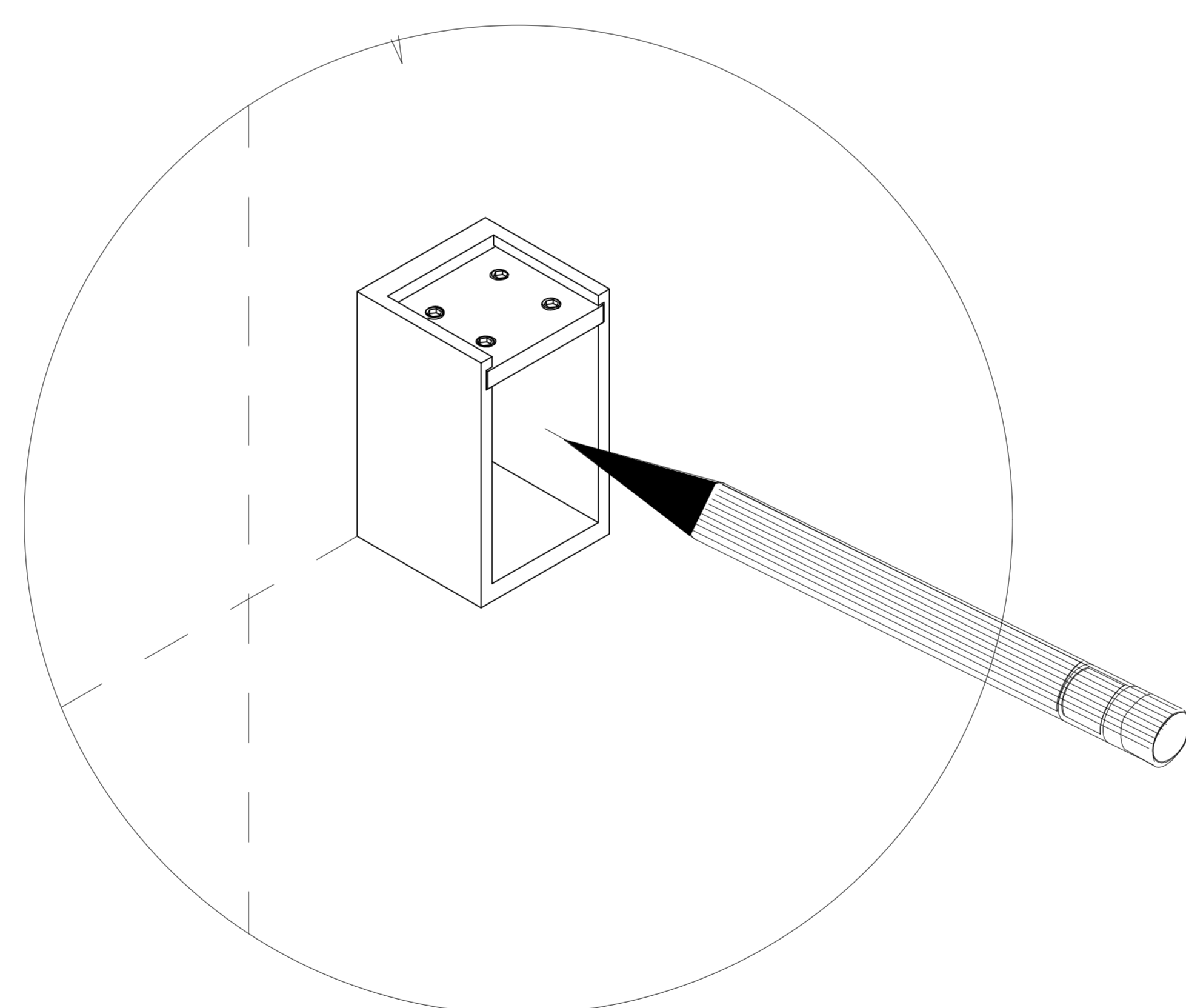
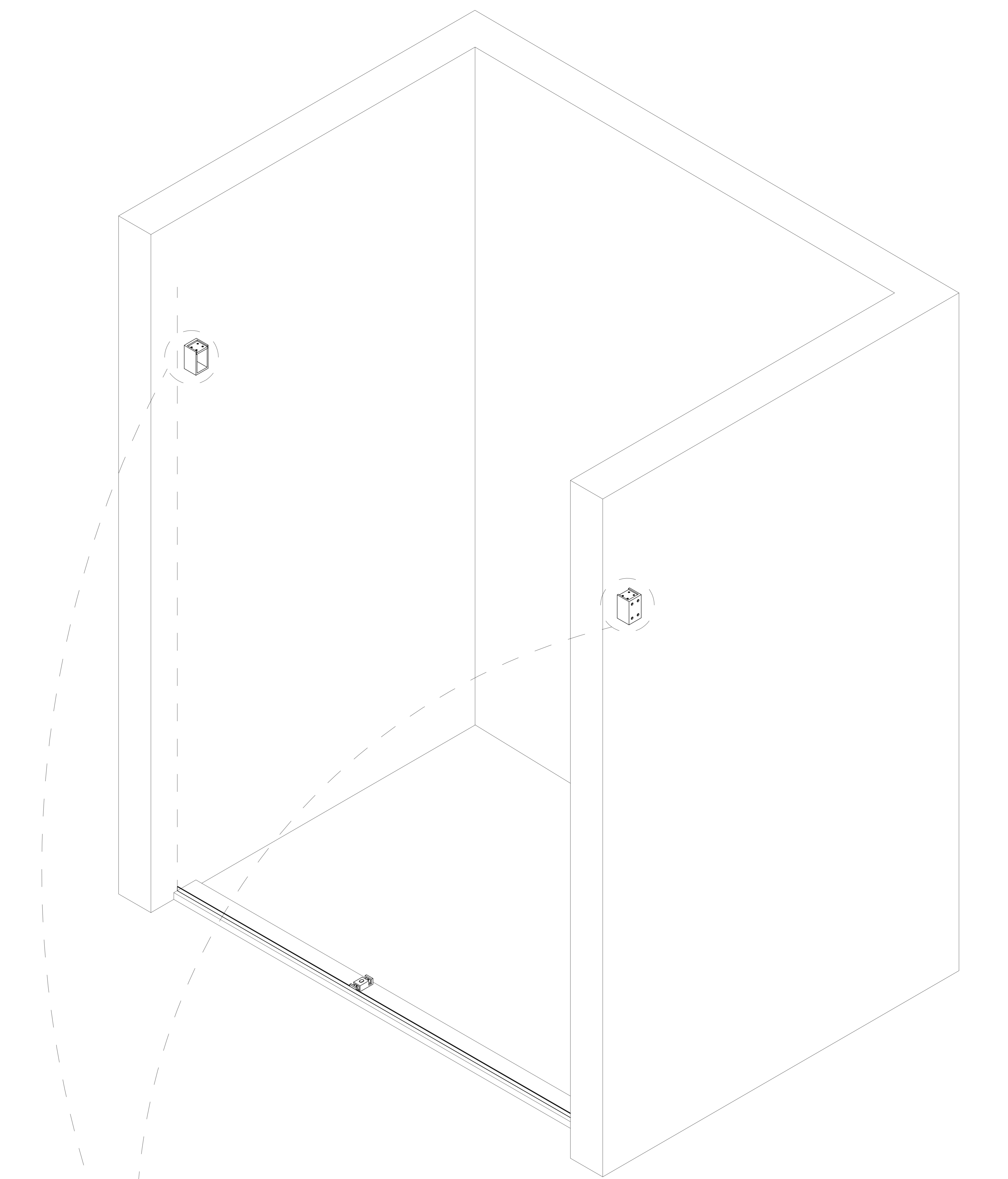
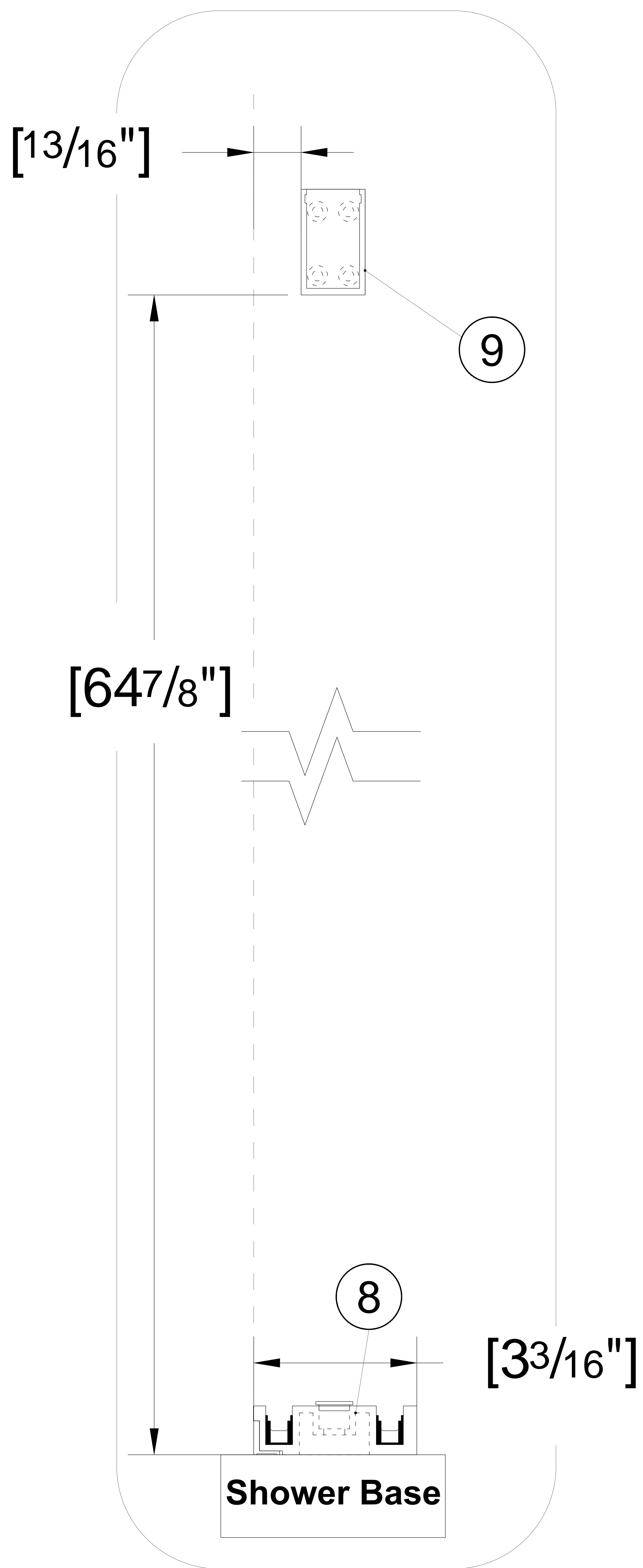


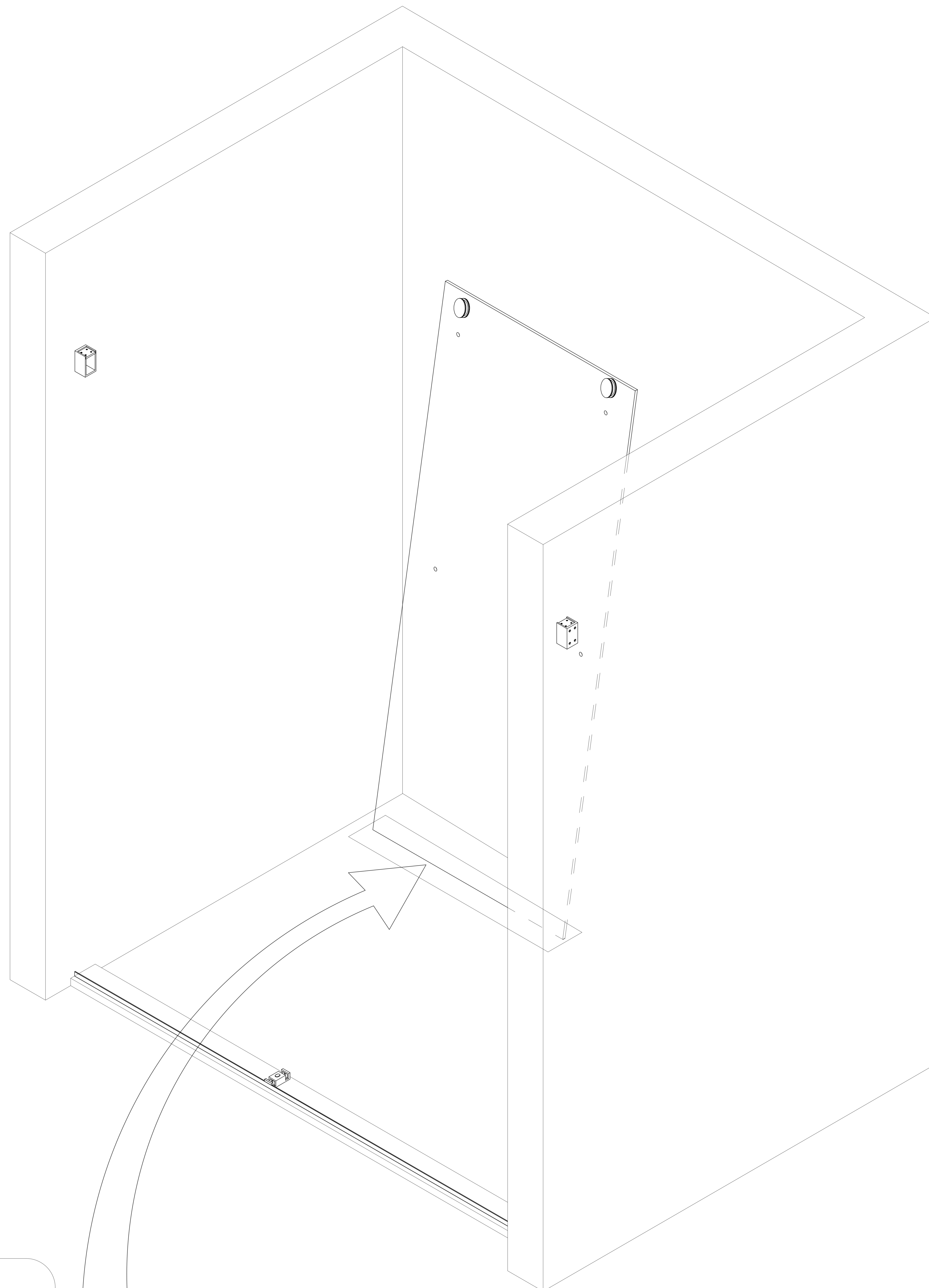
$$L1 = B - [1/8"]$$



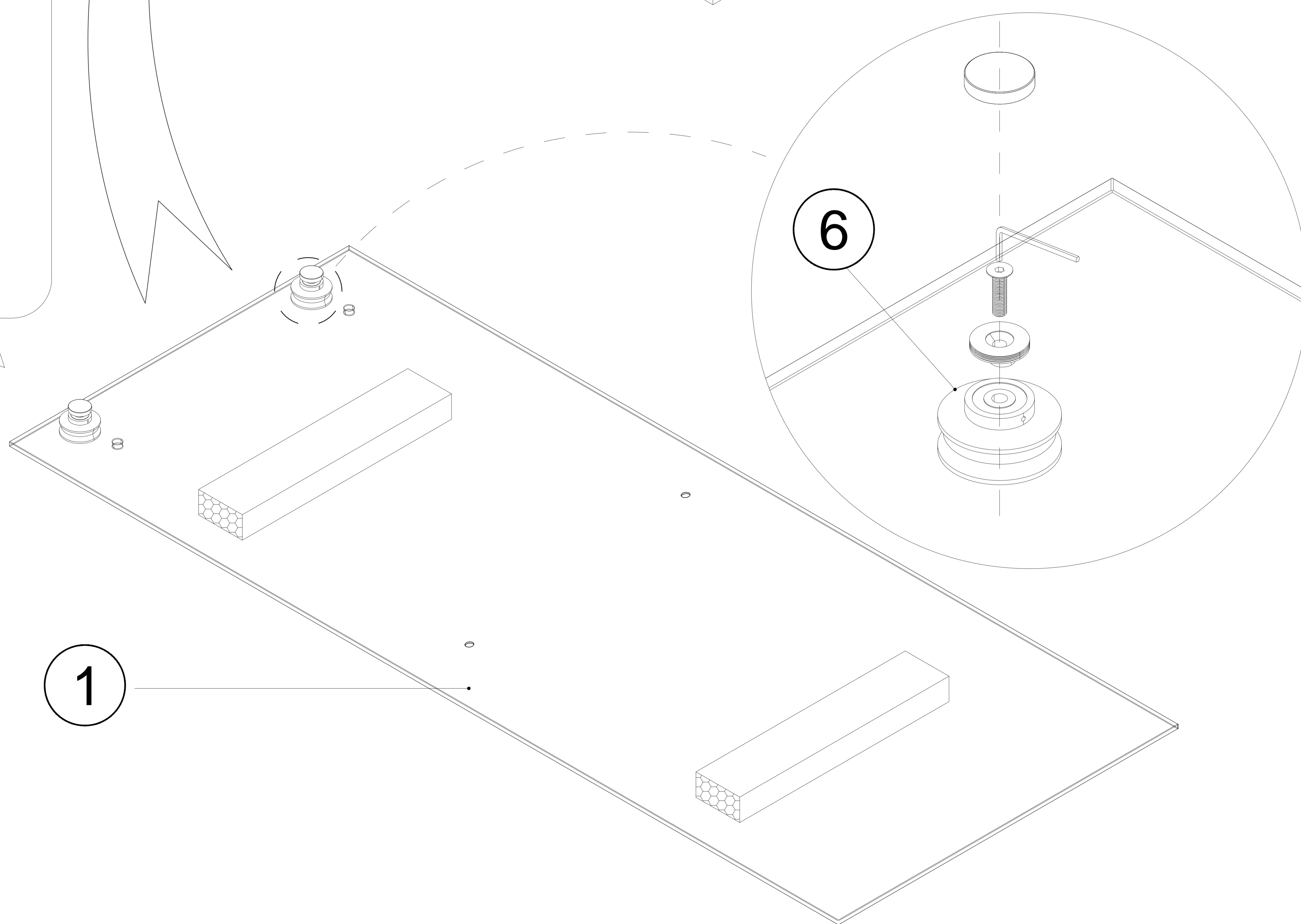
$$[3 \frac{3}{8}"]$$

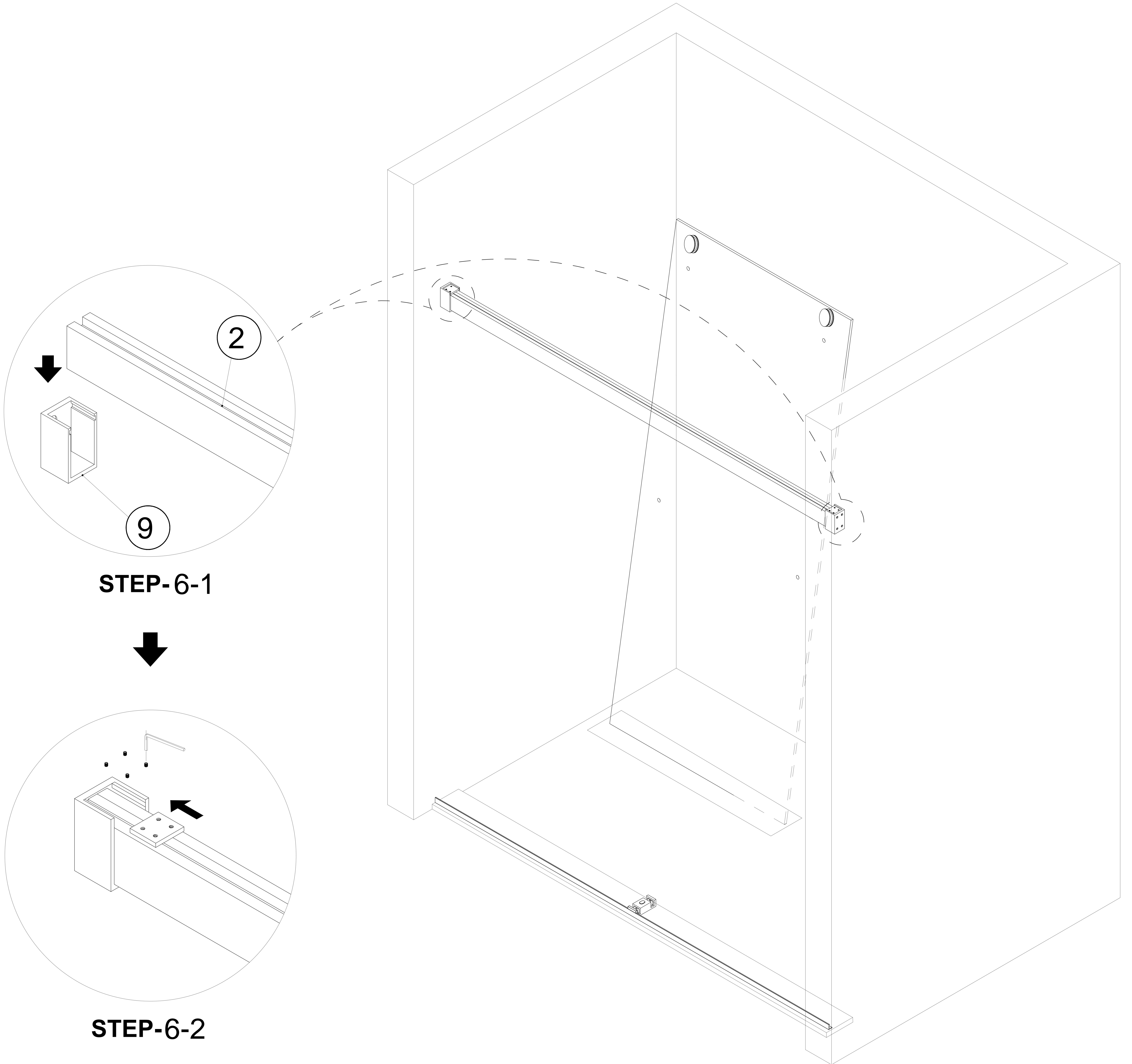


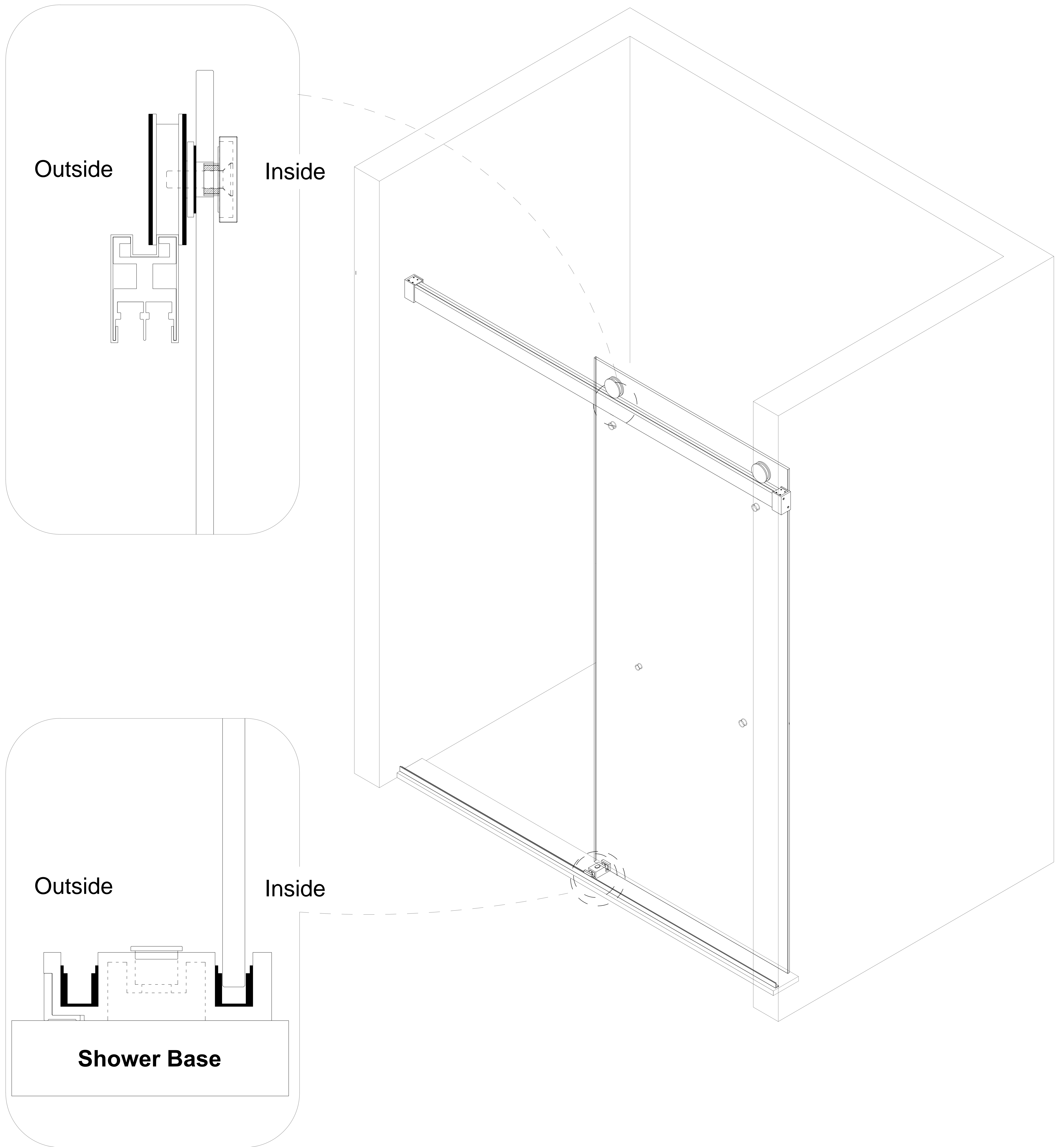




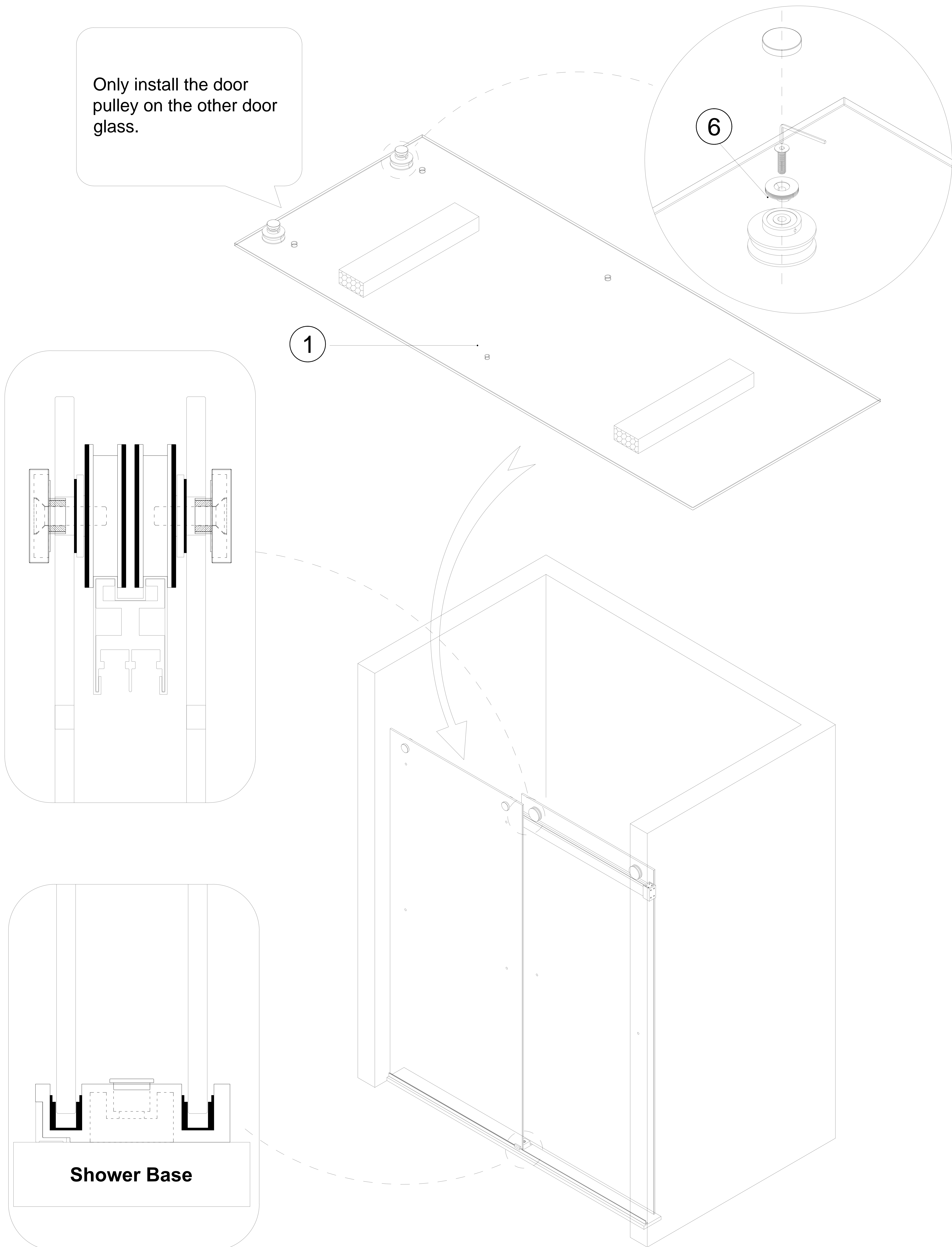
Only install the door pulley on the other door glass.

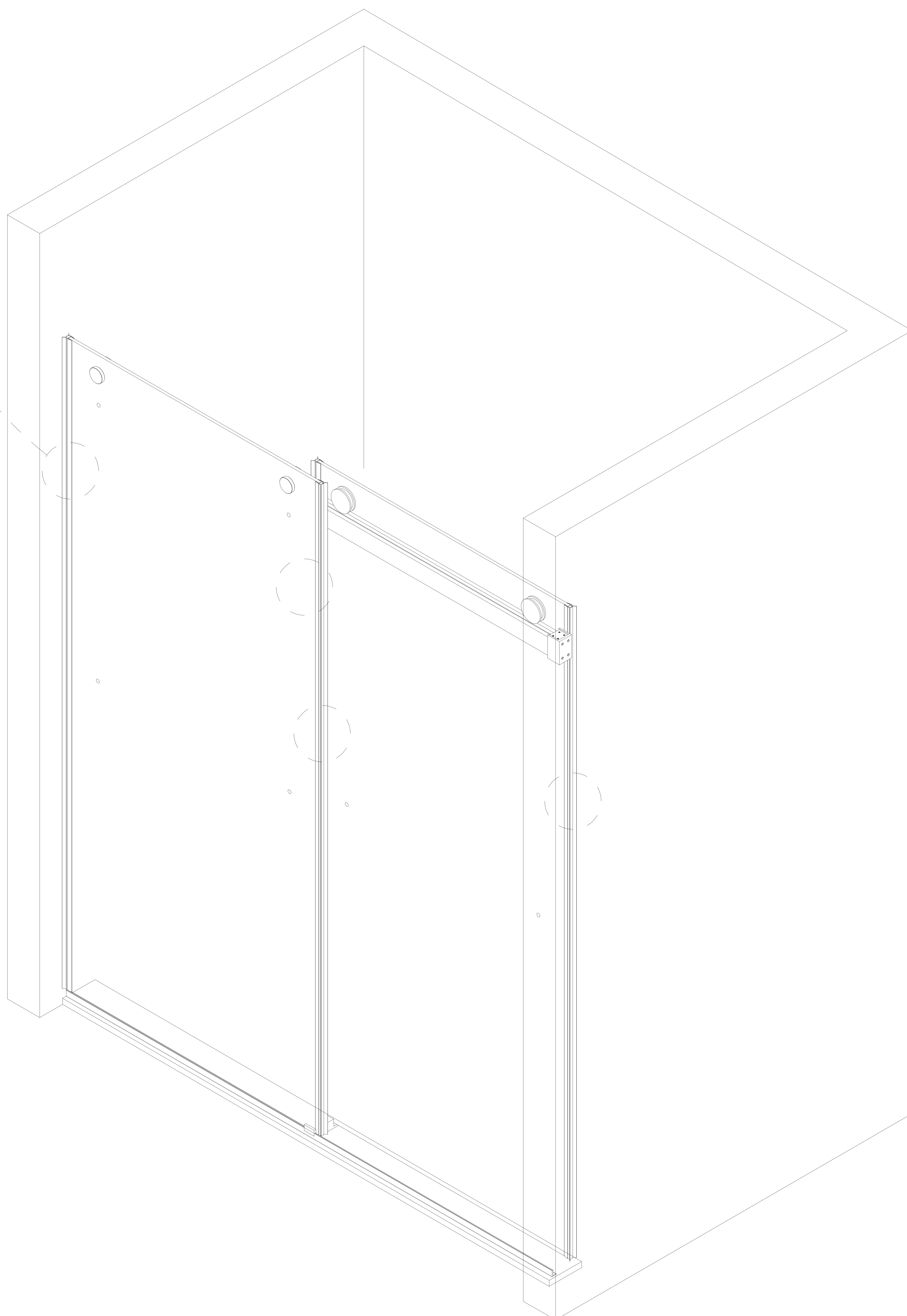
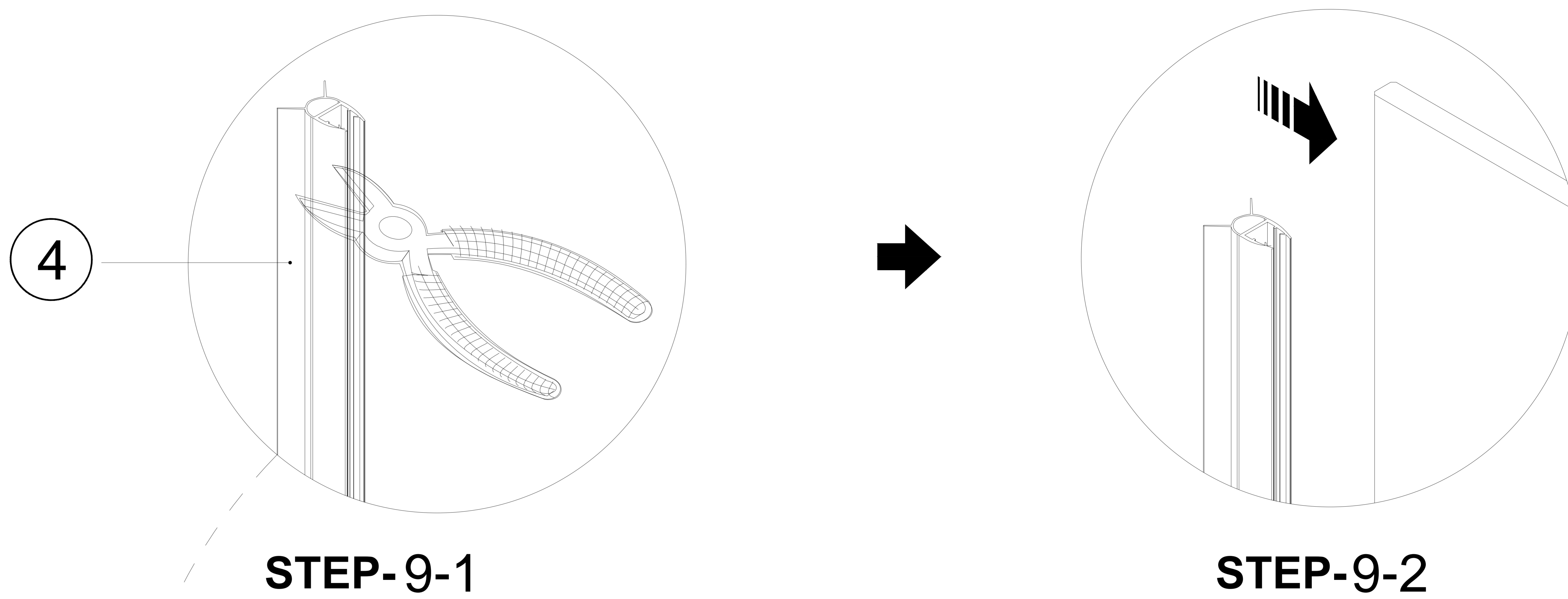


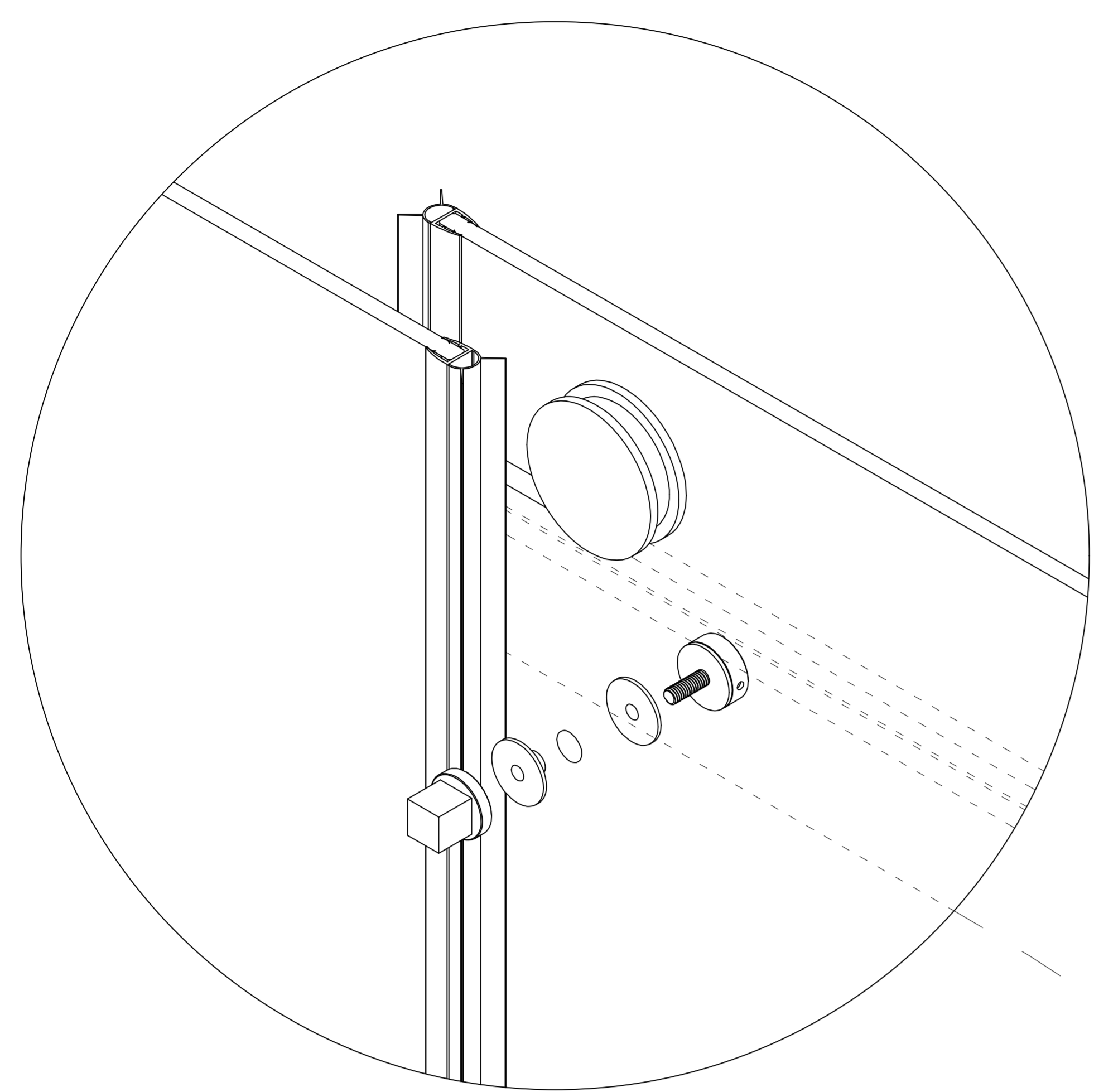




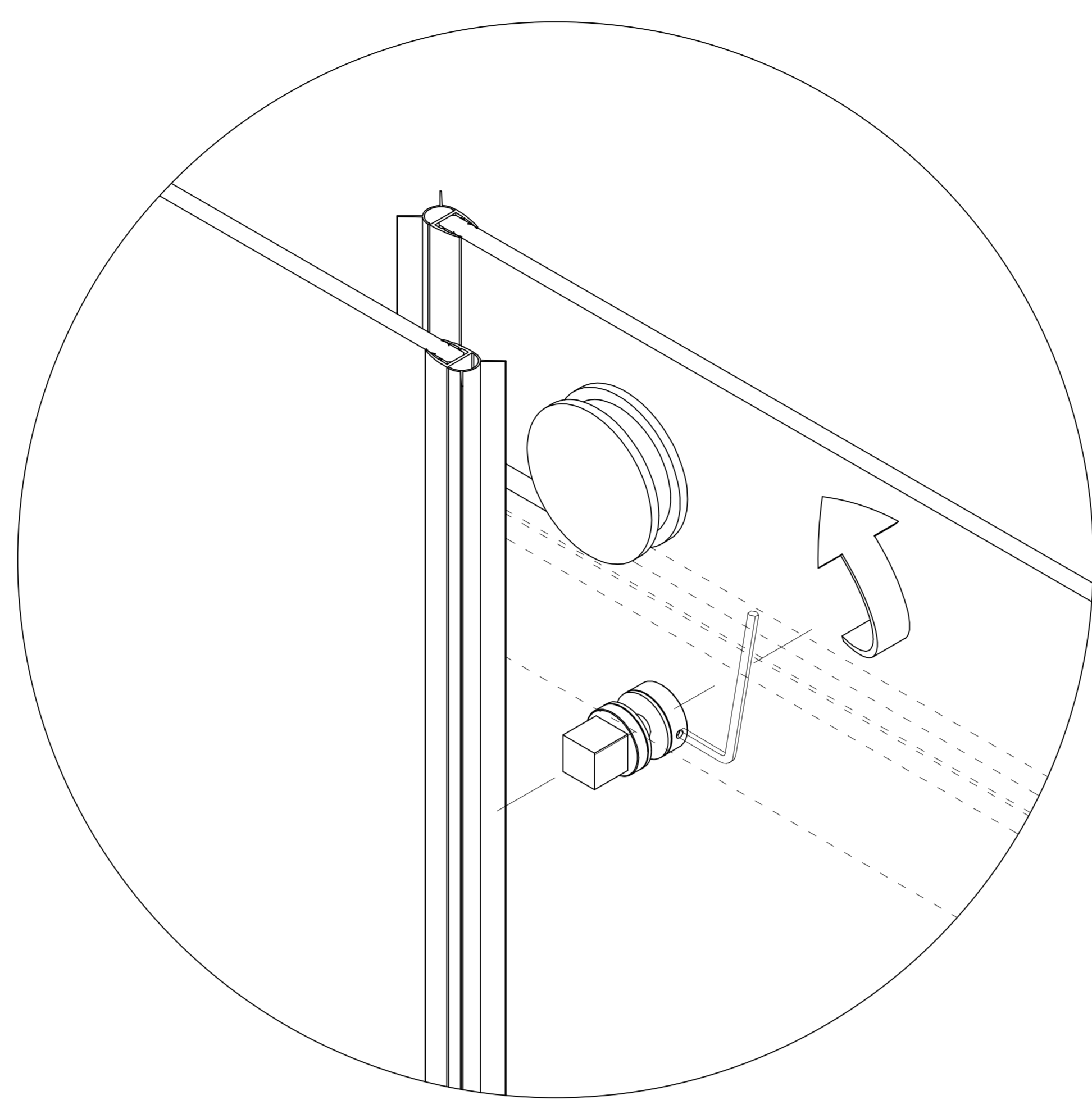
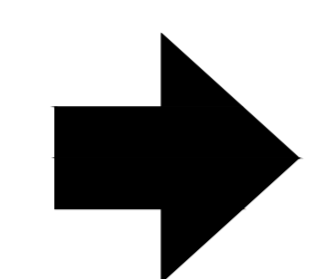
Only install the door pulley on the other door glass.



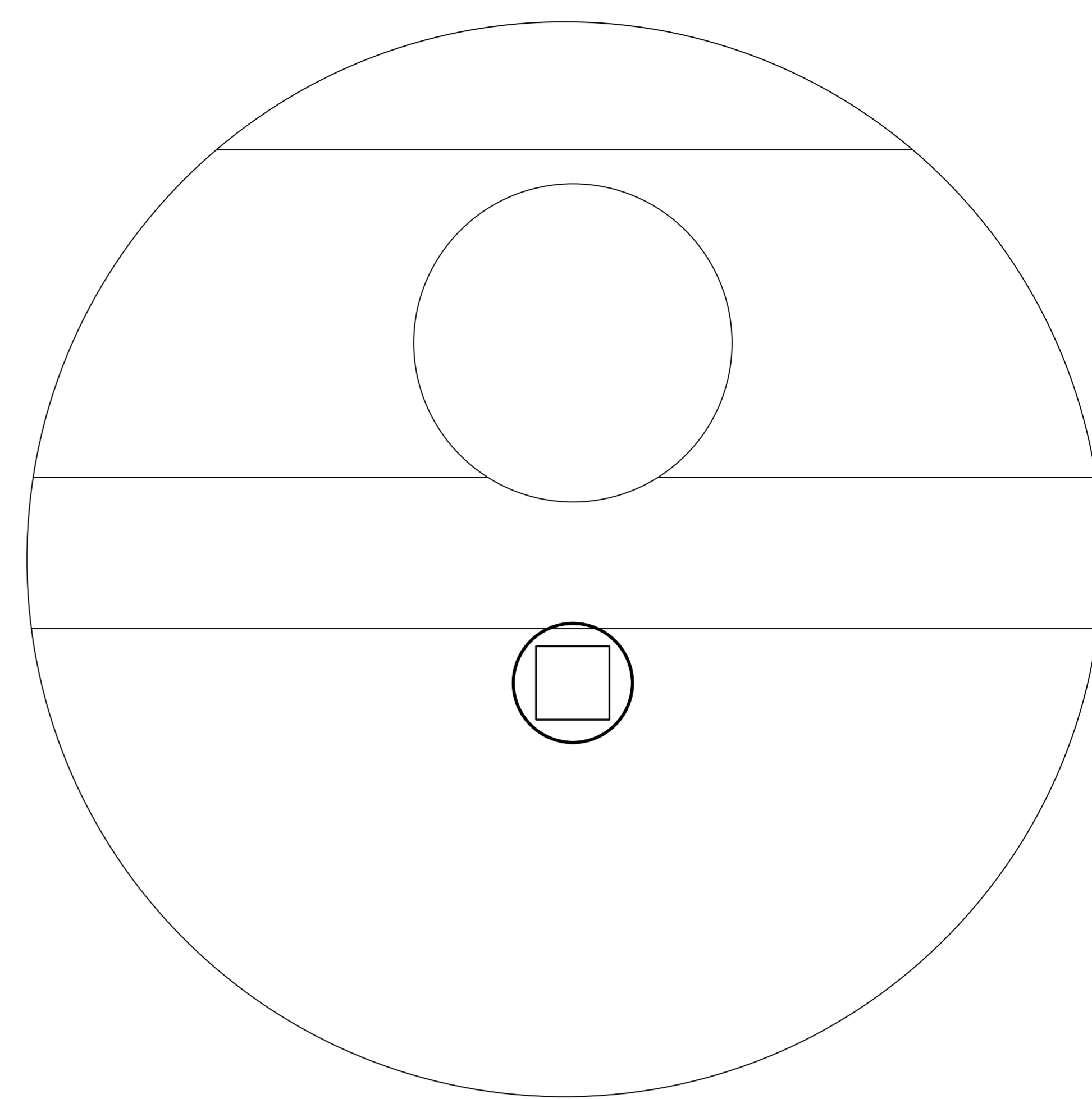
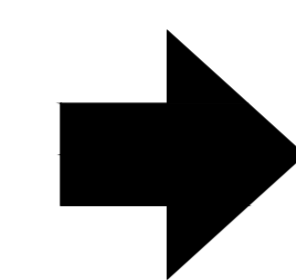




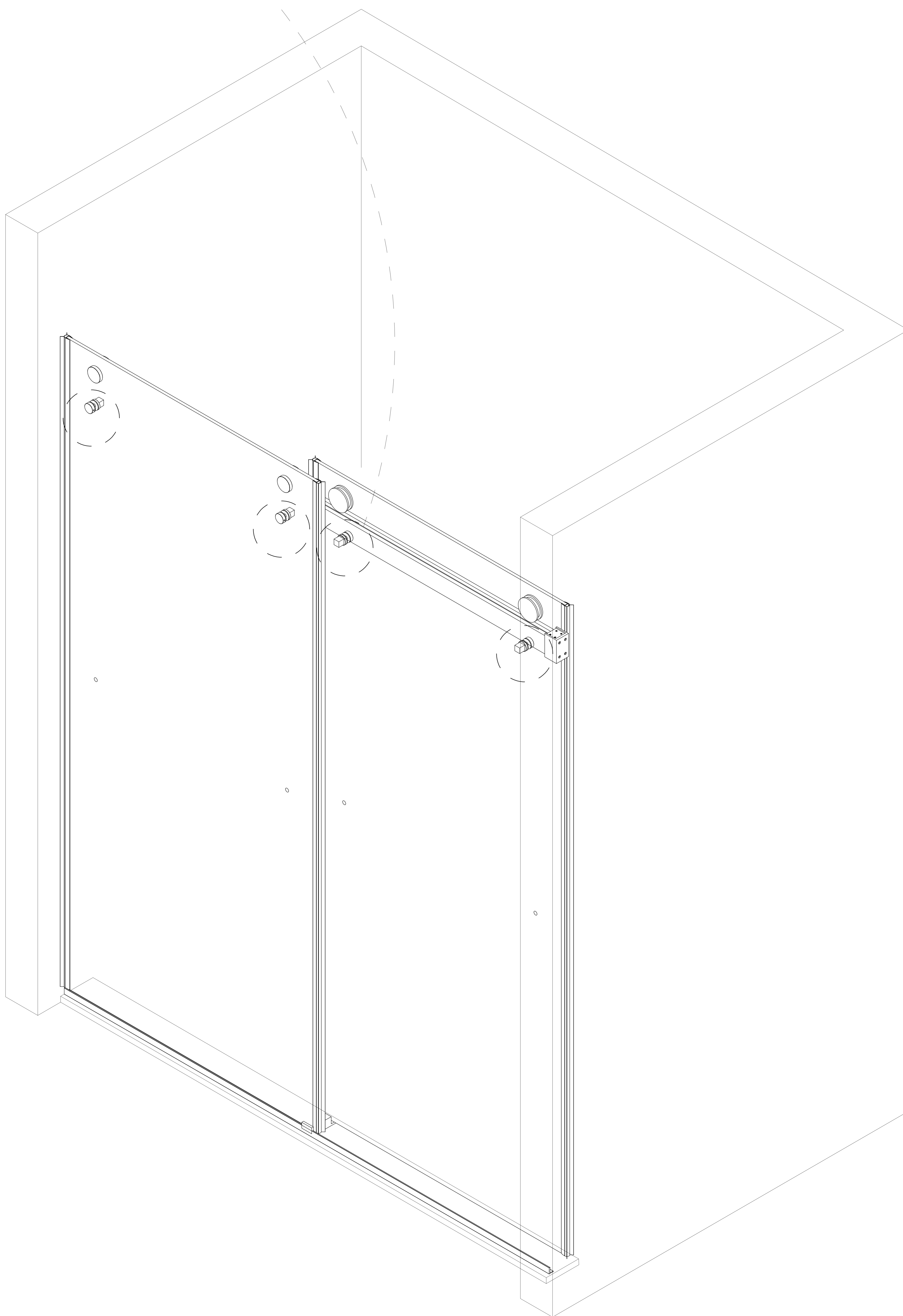
STEP-10-1

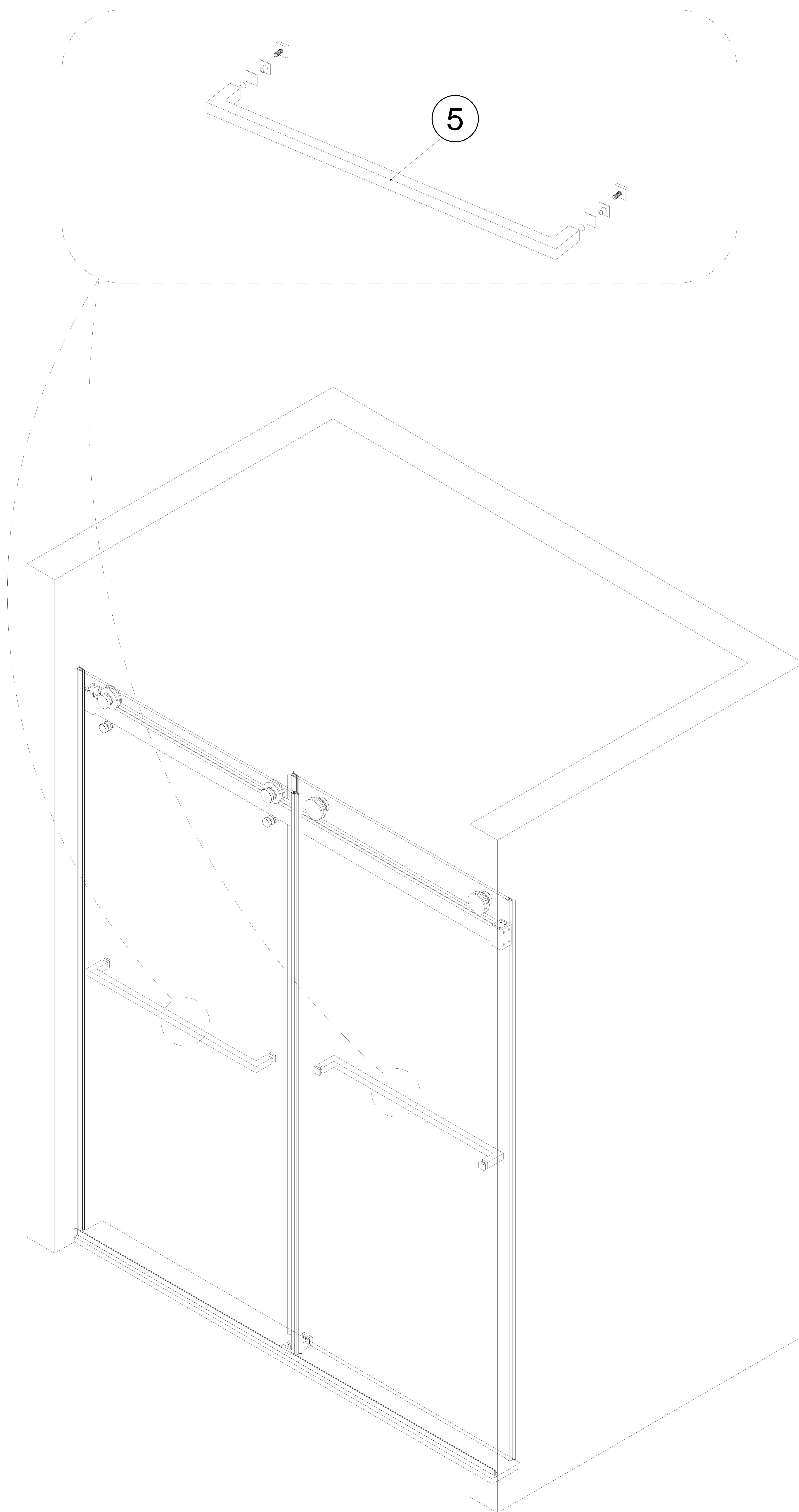


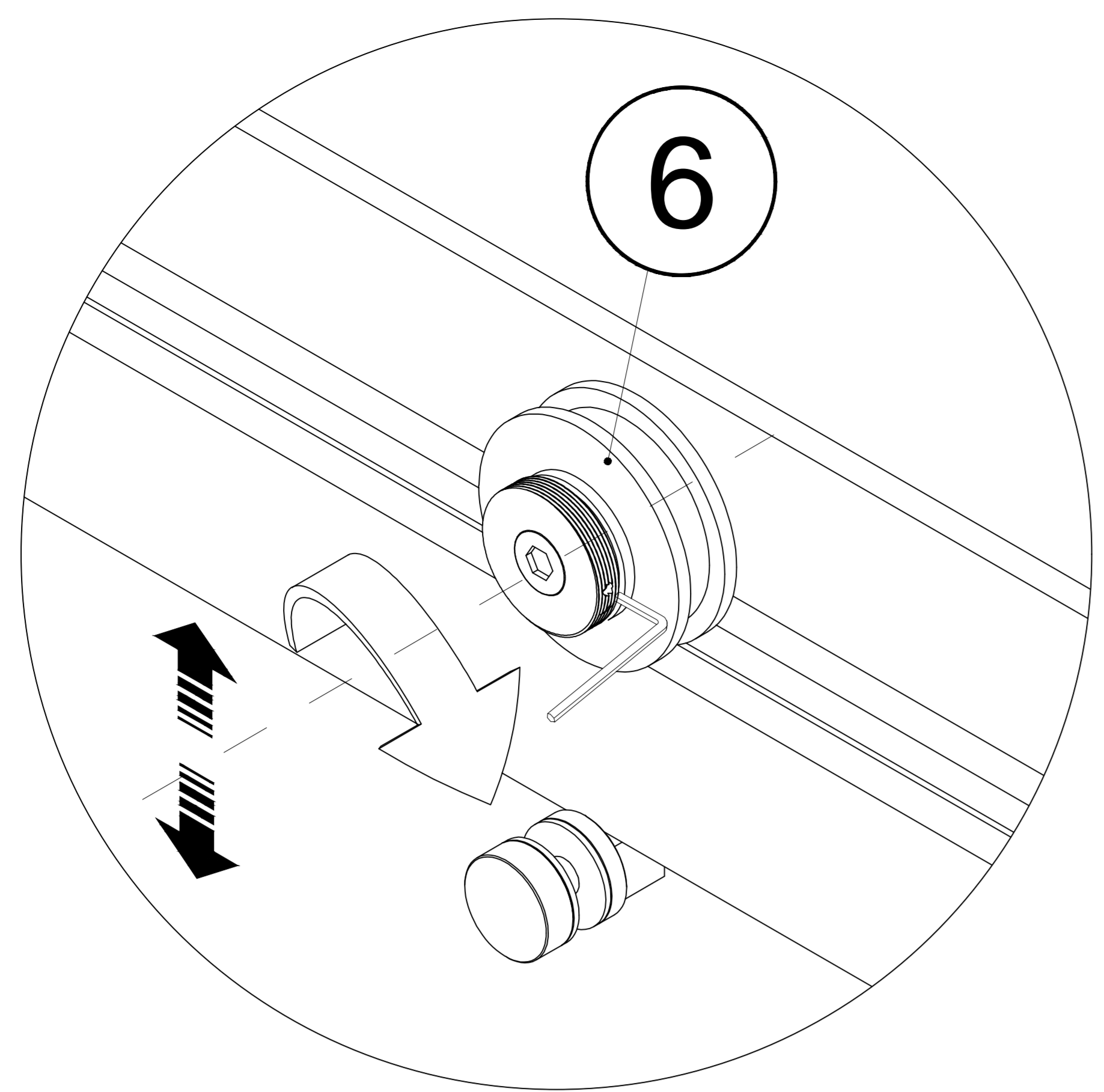
STEP-10-2



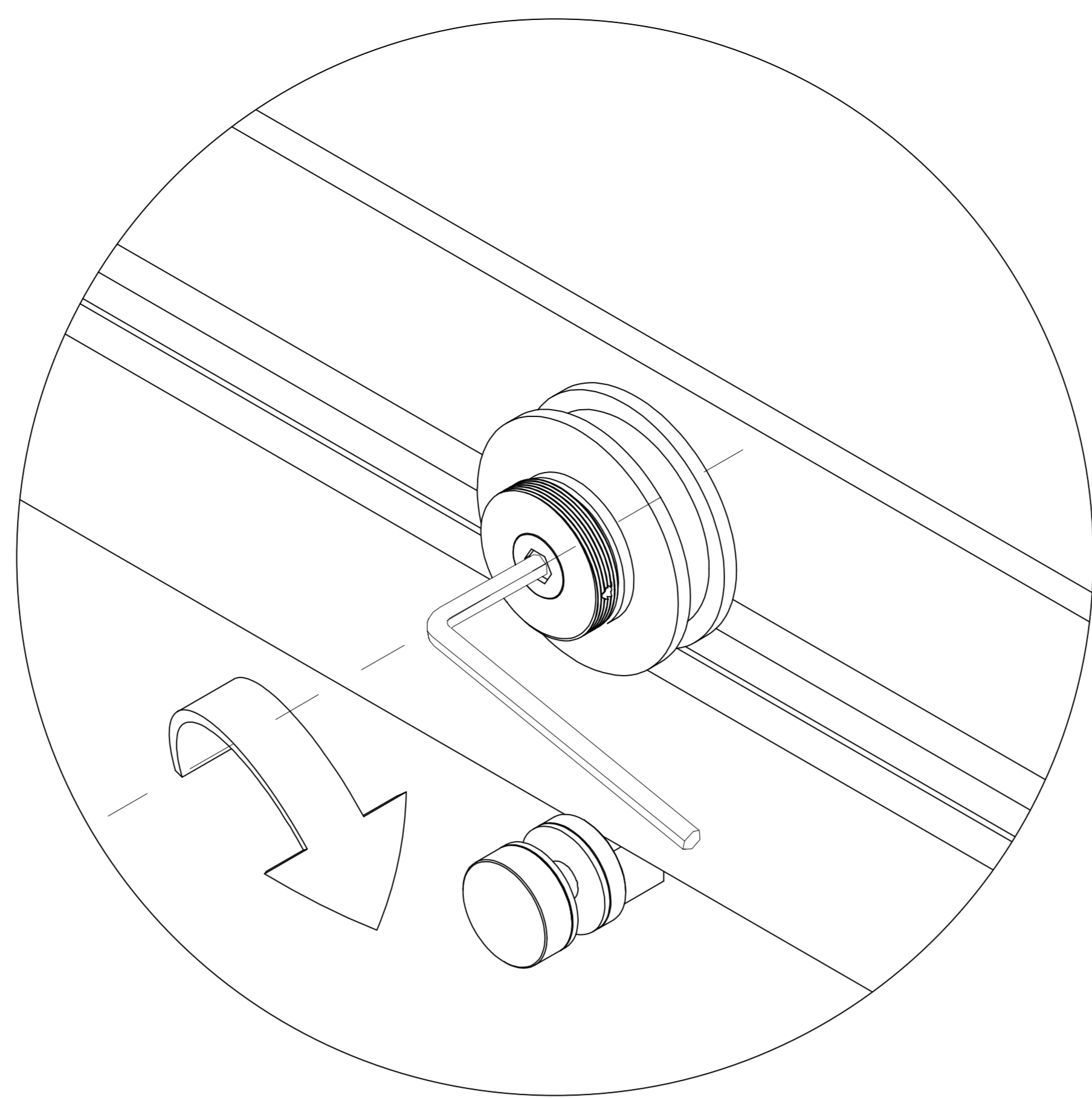
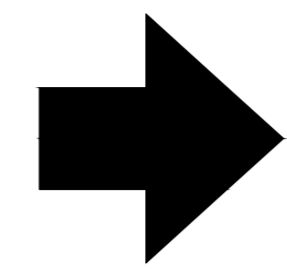
STEP-10-3



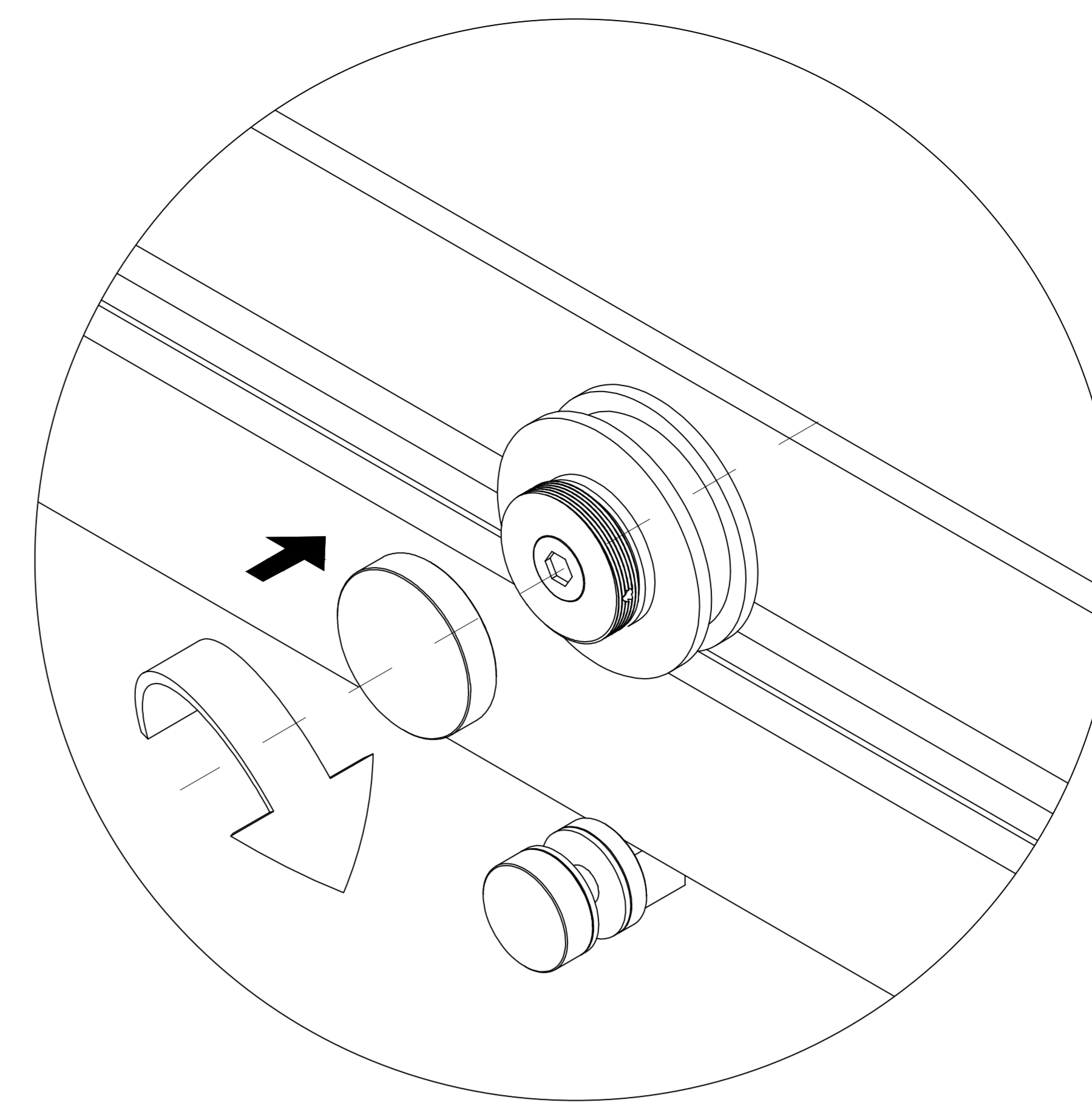
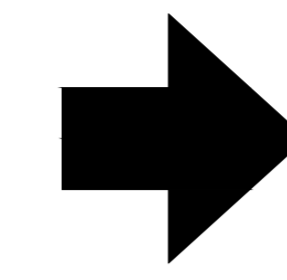




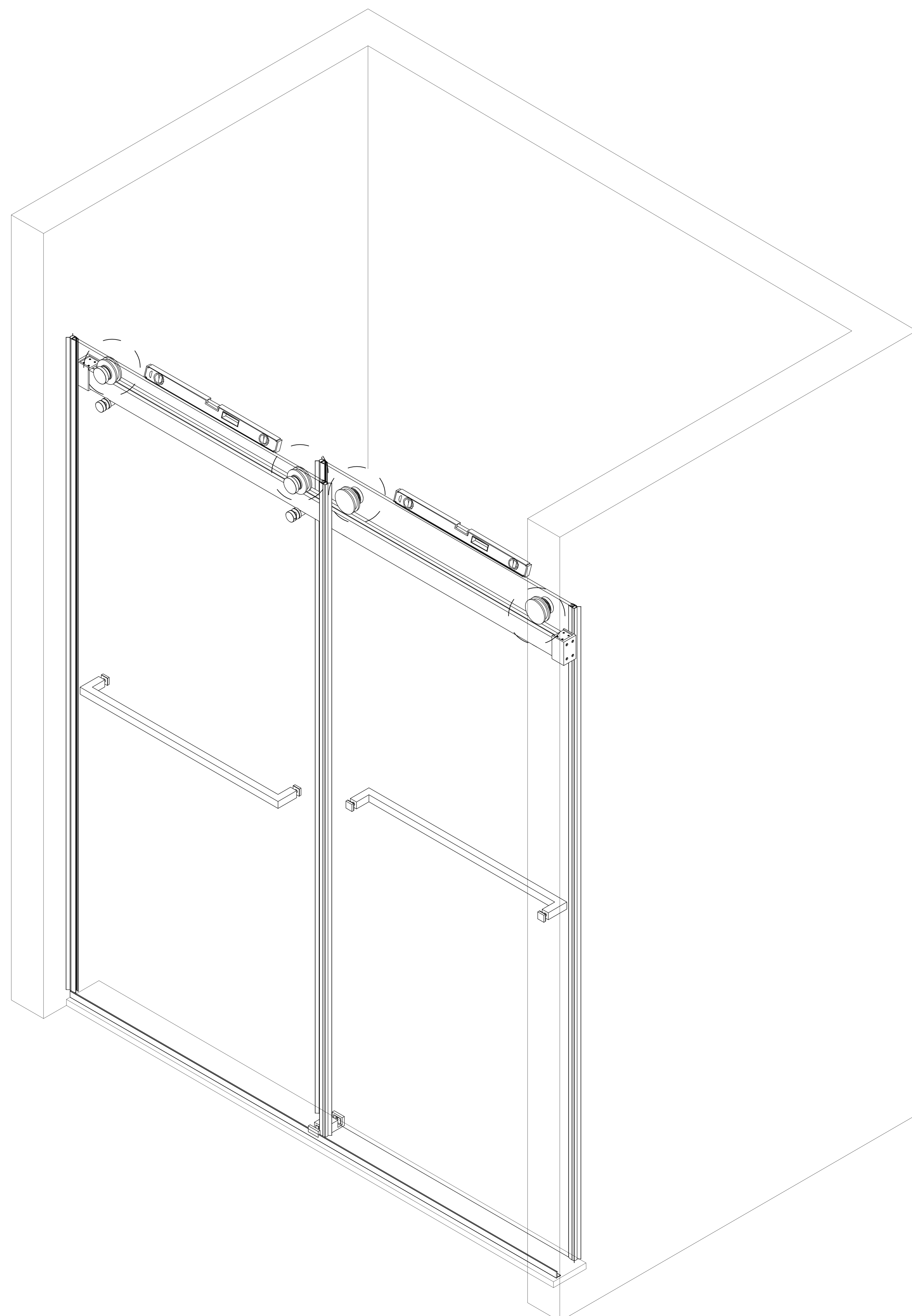
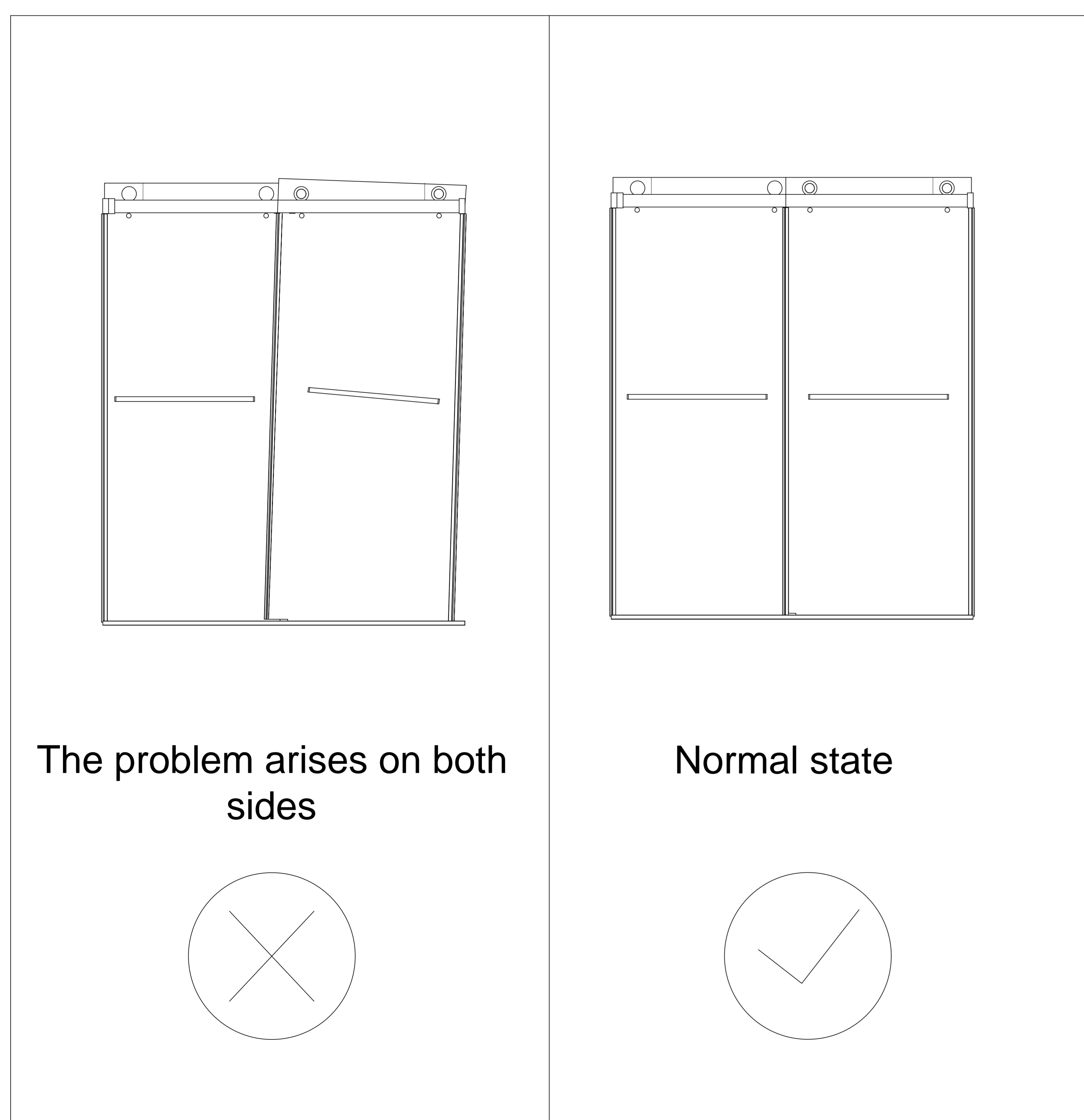
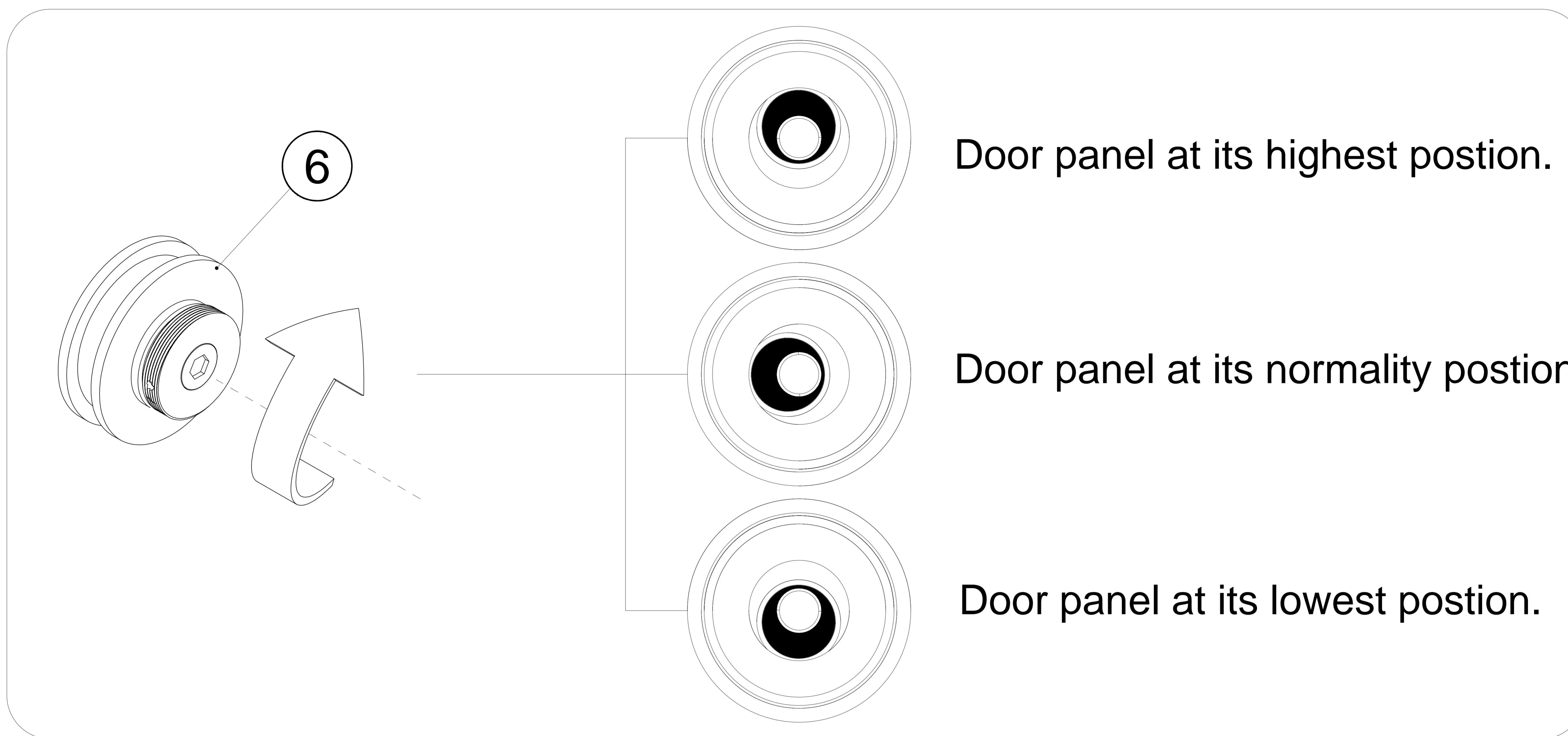
STEP-12-1

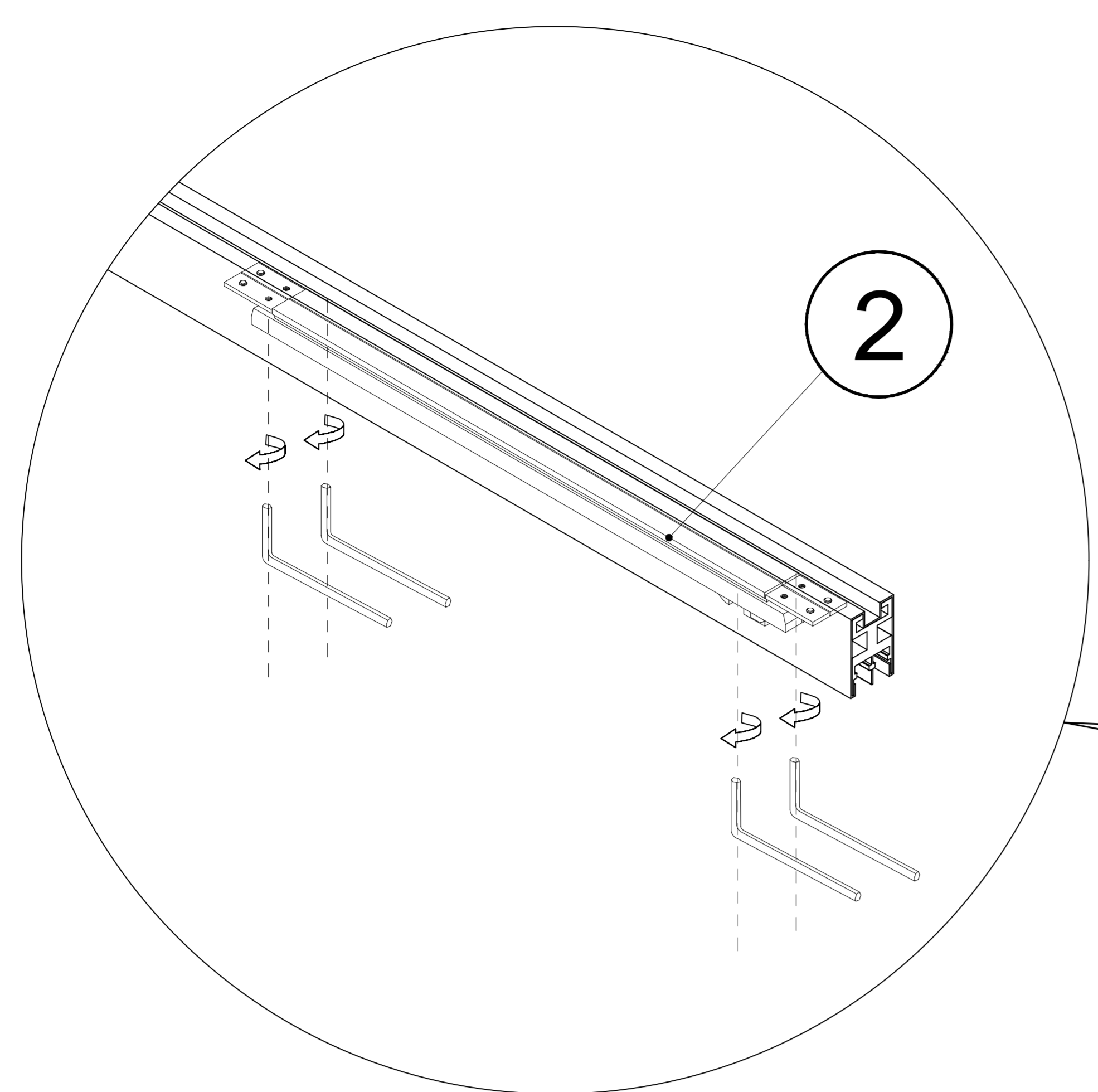


STEP-12-2

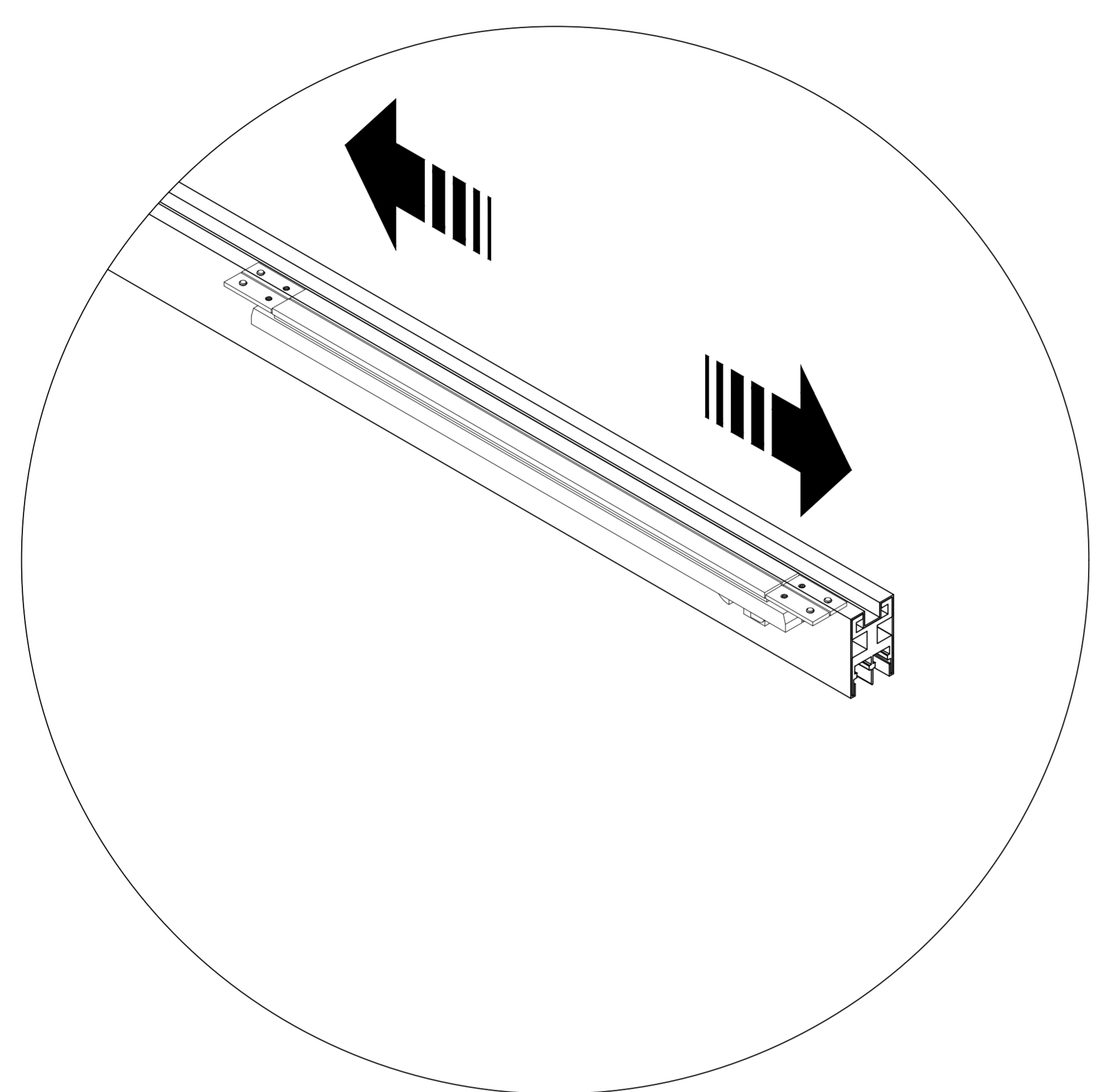


STEP-12-3

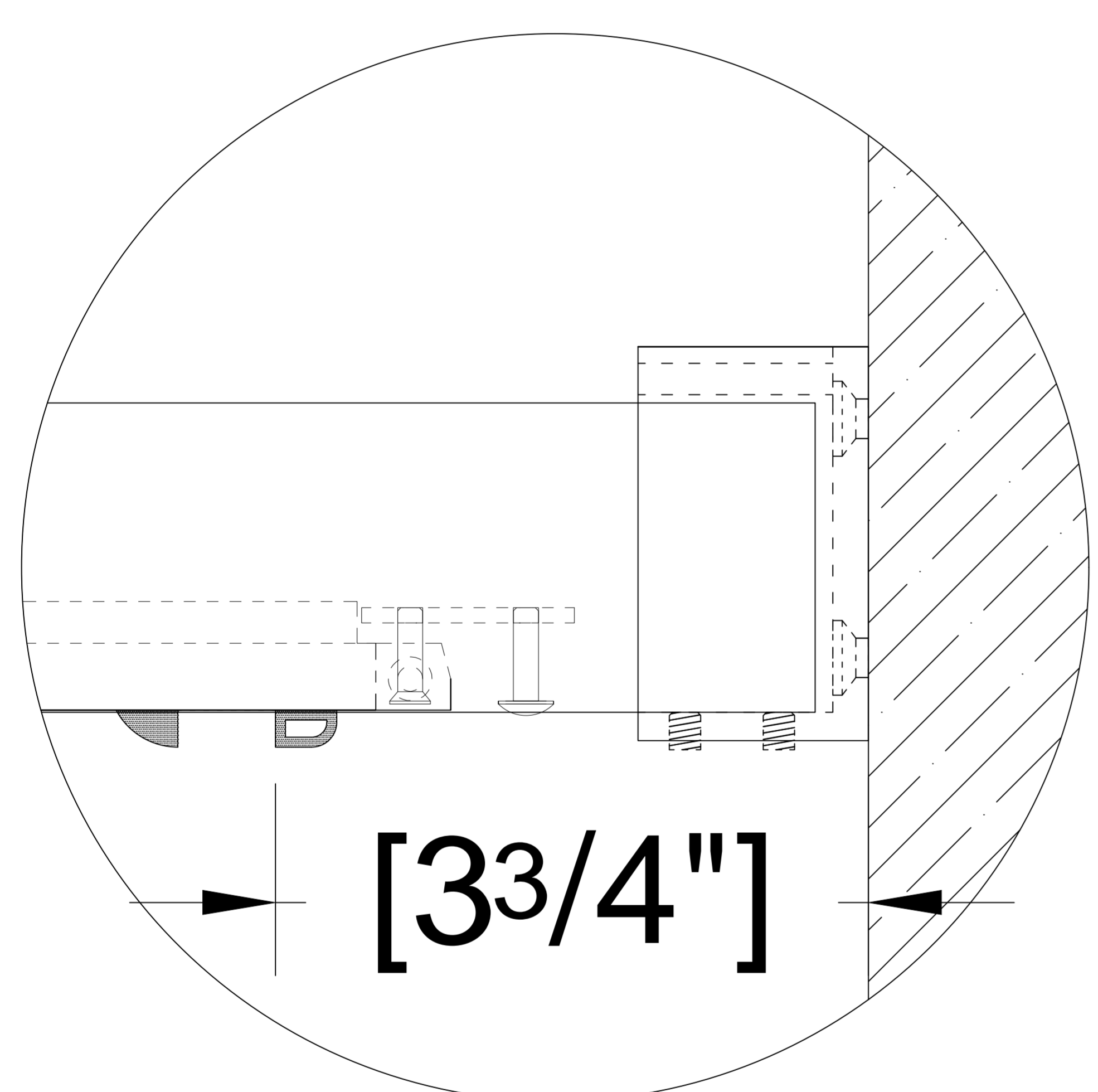




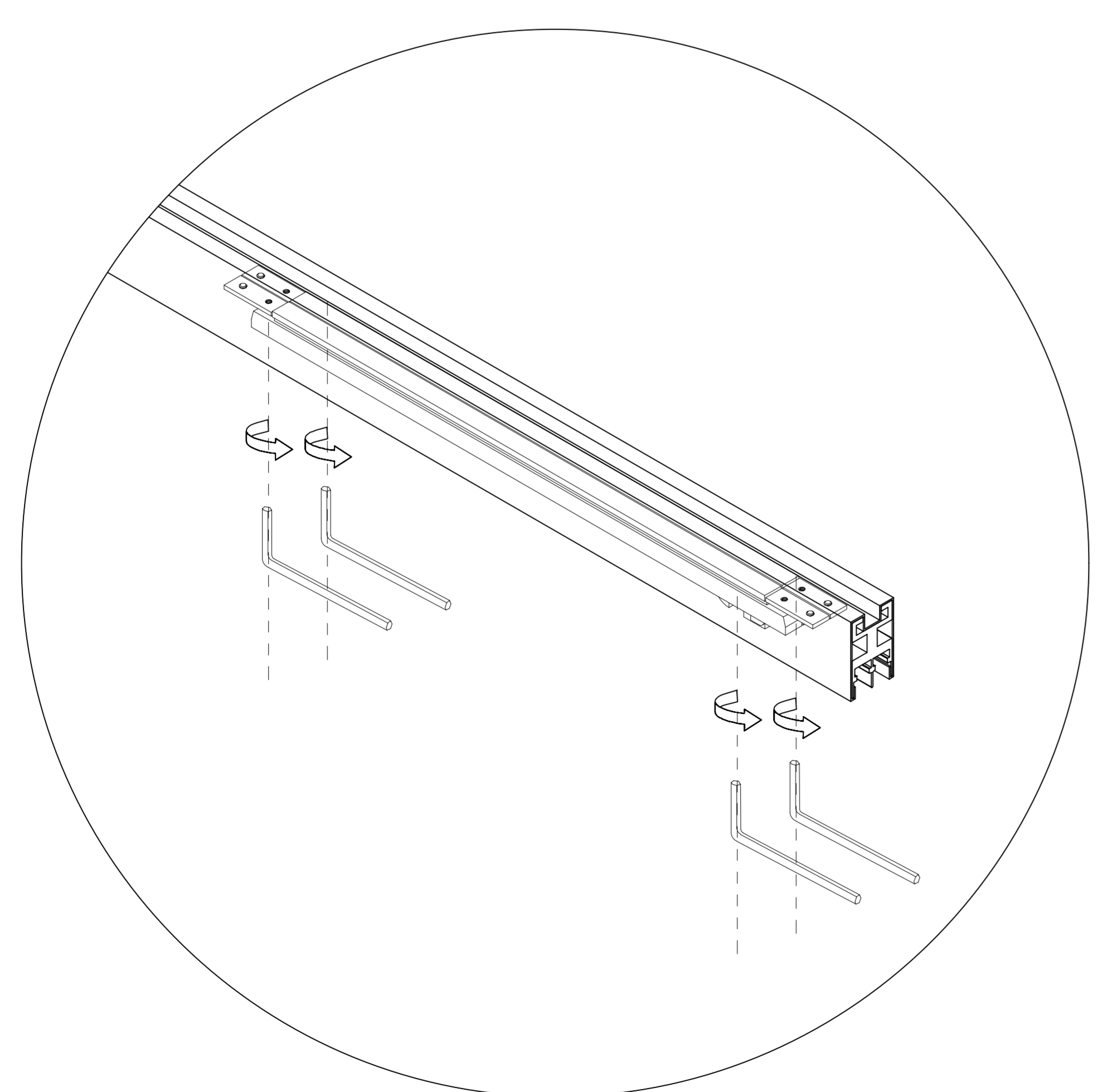
↓ STEP-13-1



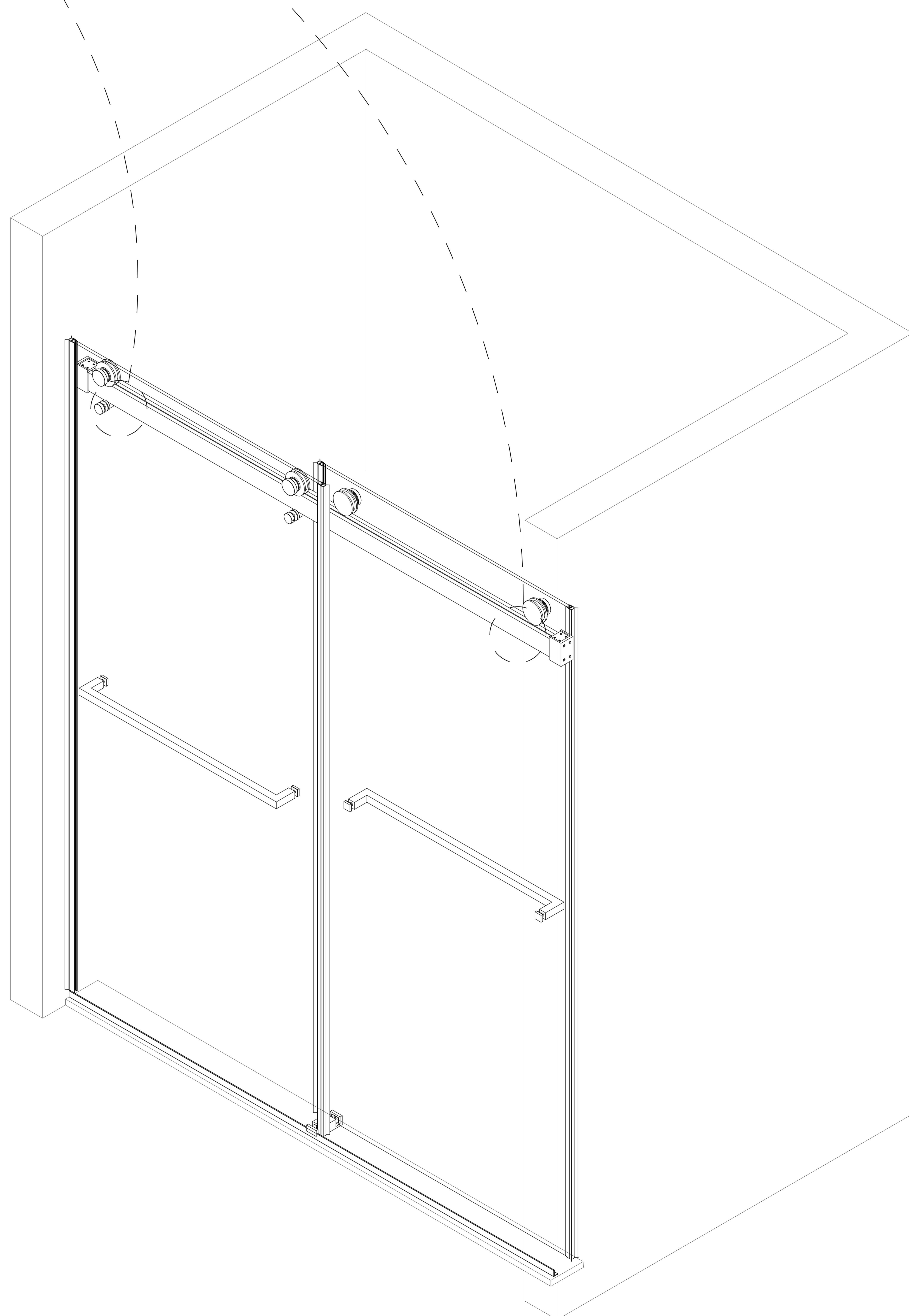
↓ STEP-13-2

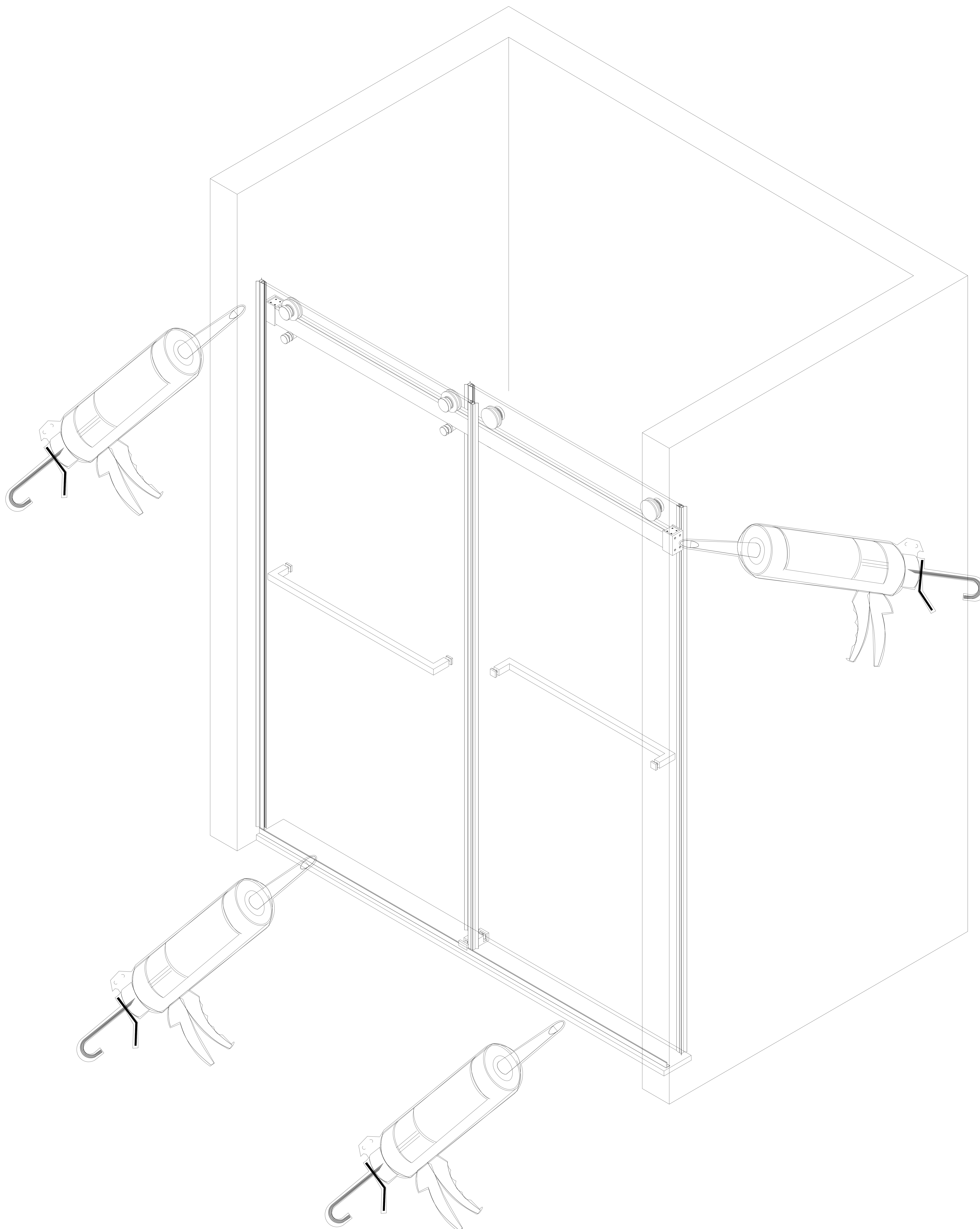


↓ STEP-13-3

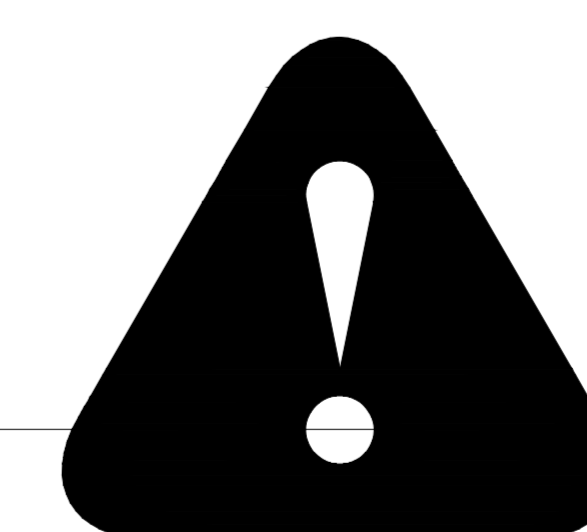


STEP-13-4





24 HOURS HEURES



ONLY SEAL THE OUTSIDE OF THE SHOWER. DO NOT APPLY SILICONE TO THE INSIDE OF THE SHOWER

SAFETY INFORMATION



CAUTION

Please carefully read the following important safety information before handling or installing this shower. There is a risk of serious injury while handling this product. To minimize these risks, please note:

- Always wear safety glasses and gloves while handling.
- Always read and follow all the steps in the installation instructions.
- Inspect all contents and glass for damage before installation.
- Extreme caution should be taken while handling the glass during installation as the tempered glass may shatter if in contact with a hard surface.
- Handle the tempered glass with caution! Improperly handling the glass can cause it to break suddenly in small pieces (never in pointed fragments).
- Always take all precautions not to touch the tempered glass with any tools during the installation, or after installed.
- Do not cut or modify the tempered glass as it will shatter if cut.
- Carefully remove product from packaging and keep packaging until installation is complete.
- Inspect all parts for damage; if there is damage to the unit prior to installation, please contact customer service at the number provided in this guide.
- Install the shower on a floor that is level and able to accommodate the weight of the unit and an occupant.
- Consult local building codes and compliance standards prior to installation and ensure conformity.
- After installation, and from time to time, check the glass for fit and finish to ensure that nothing has come loose since installation.
- Keep this installation manual for future reference.

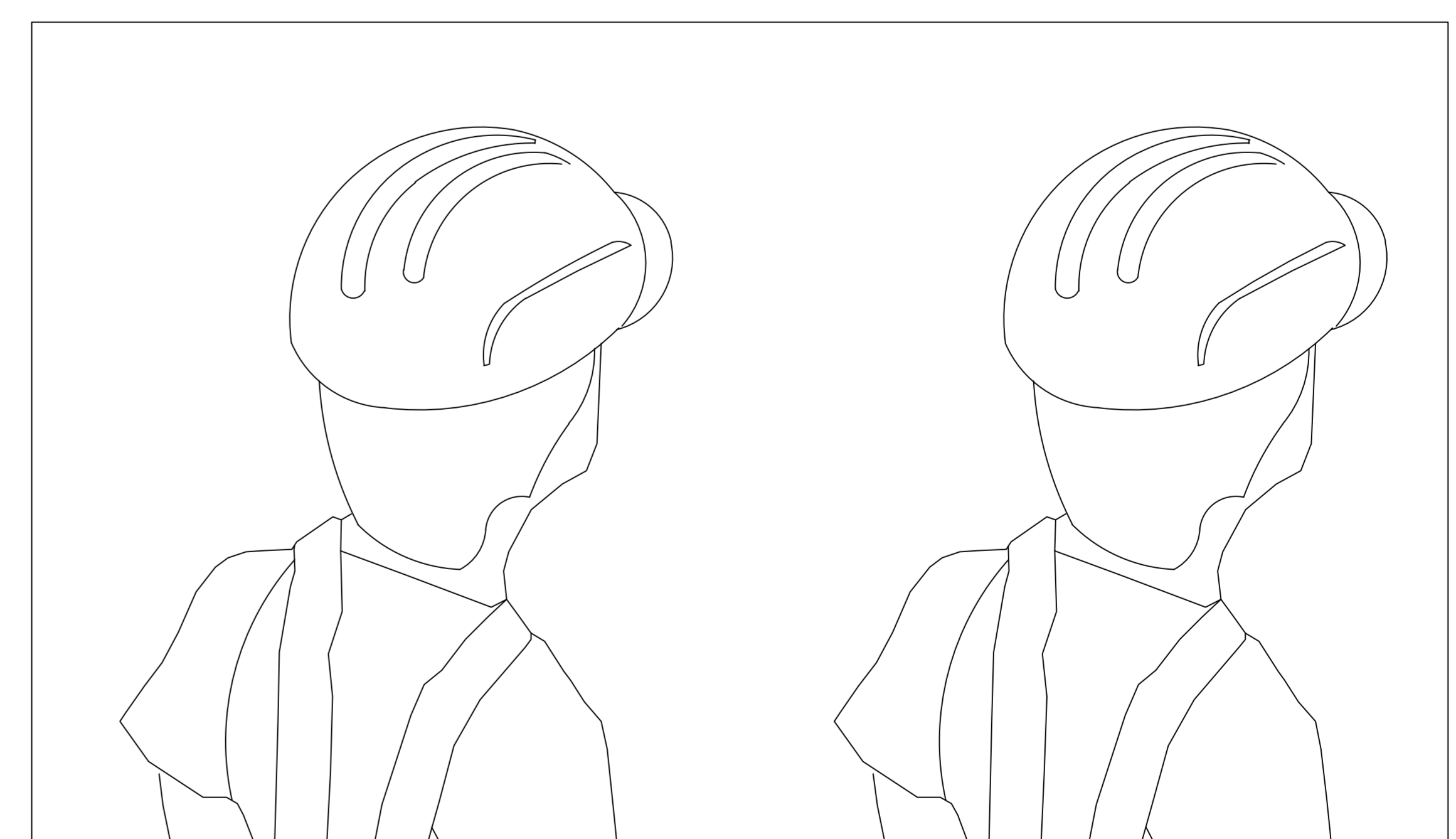


NOTICE

- Any modification or alteration from what is specified in this instruction manual will void any and all warranty on this product.
- We will not be responsible for any damage to the unit or personal property caused by improper installation. If you disregard instructional warnings, you will void your warranty and possibly deal with water damage.

PREPARATION

You will need at least two people to install this unit properly.



Before beginning assembly of product, make sure all parts are present. Compare parts with package contents list and hardware contents list. If any part is missing or damaged, do not attempt to assemble the product.

Estimated Assembly Time: Shower (60 min).