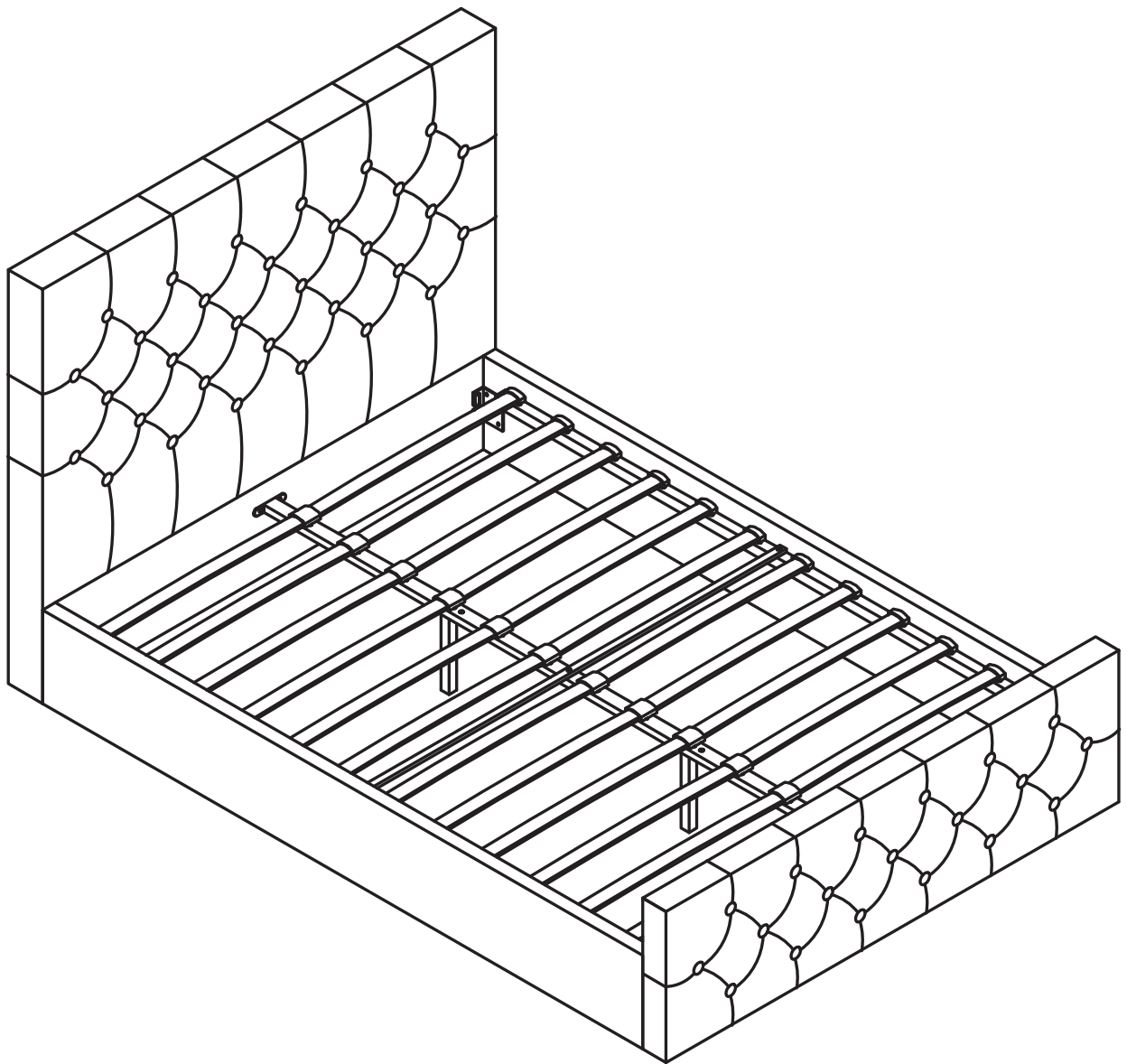


Instruction manual



CONTENTS

Safety and care advice	1
Components	2
Assembly instructions	4
Copyright	7

⚠ SAFETY AND CARE ADVICE ⚠

PLEASE READ THESE INSTRUCTIONS CAREFULLY AND KEEP FOR FUTURE REFERENCE

- **Warning:** Please lift with care.
- Check you have all the components and tools listed on pages 2 and 3.
- Remove all fittings from the plastic bags and separate them into their groups.
- Keep children and animals away from the work area, small parts could choke if swallowed.
- Make sure you have enough space to lay out the parts before starting.
- Do not stand or put weight on the product, this could cause damage.
- Assemble the item as close to its final position (in the same room) as possible.

- Assemble on a soft level surface to avoid damaging the unit or your floor (use opened out unit carton).



- We do not recommend the use of power drill/drivers **for inserting screws**, as this could damage the unit. Only use hand screwdrivers.
- Dispose of all packaging carefully and responsibly.

CARE AND MAINTENANCE

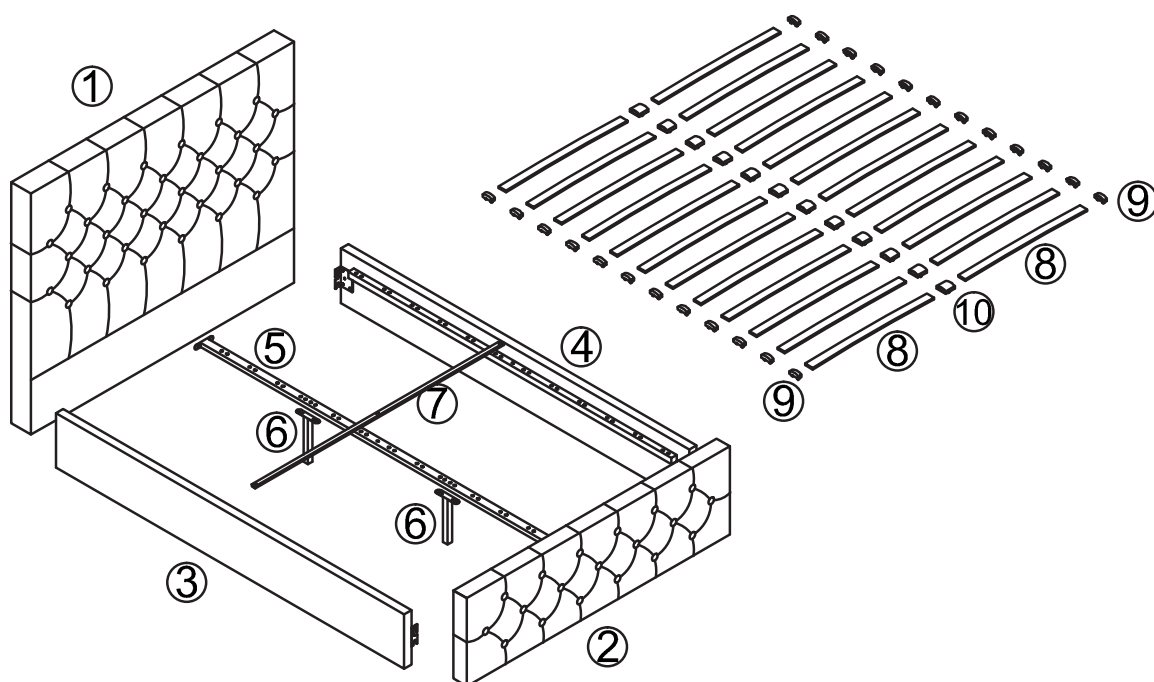
- Only clean using a damp cloth and mild detergent, do not use bleach or abrasive cleaners.
- From time to time check that there are no loose screws on this unit.

- This product should not be discarded with household waste. Take to your local authority waste disposal center.

Note *If required the next page can be cut out and used as reference throughout the assembly. Keep this page with these instructions for future reference.*

COMPONENTS

Ensure the following components are in the box before proceeding with assembly:



①	Headboard	X1
②	Footboard	X1
③	Left sideboard	X1
④	Right sideboard	X1
⑤	Slat center bar	X1
⑥	Support Leg	X2
⑦	Middle bar	X1
⑧	Slats	X24
⑨	Single-hole Plastic Cap	X24
⑩	Double-hole Plastic Cap	X12



COMPONENTS — FITTINGS

Please check you have all the fittings listed below:

Ax16



Bolt M8*30mm

Bx1



Allen key

Cx4



Nut M8

Dx8



Spring Washer

Ex18



Flat Washer

Fx1



Spanner

Gx2

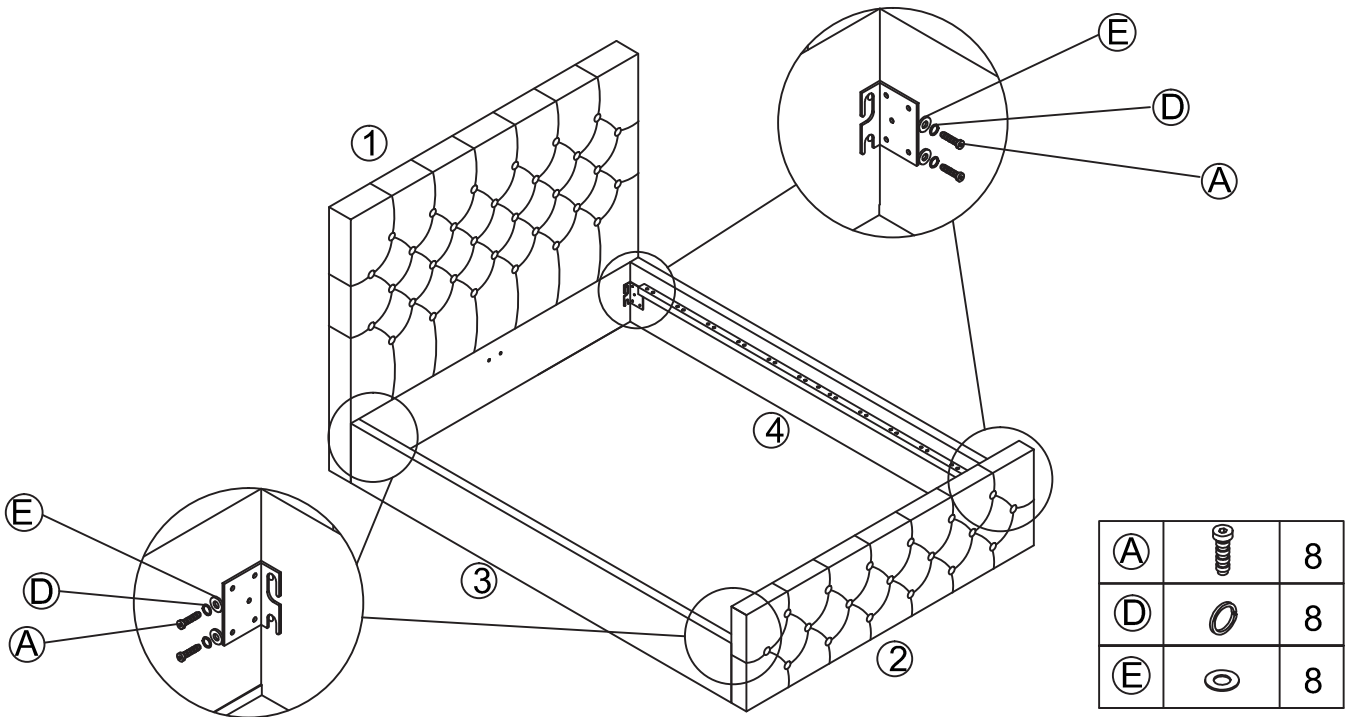


Bolt M6*25mm

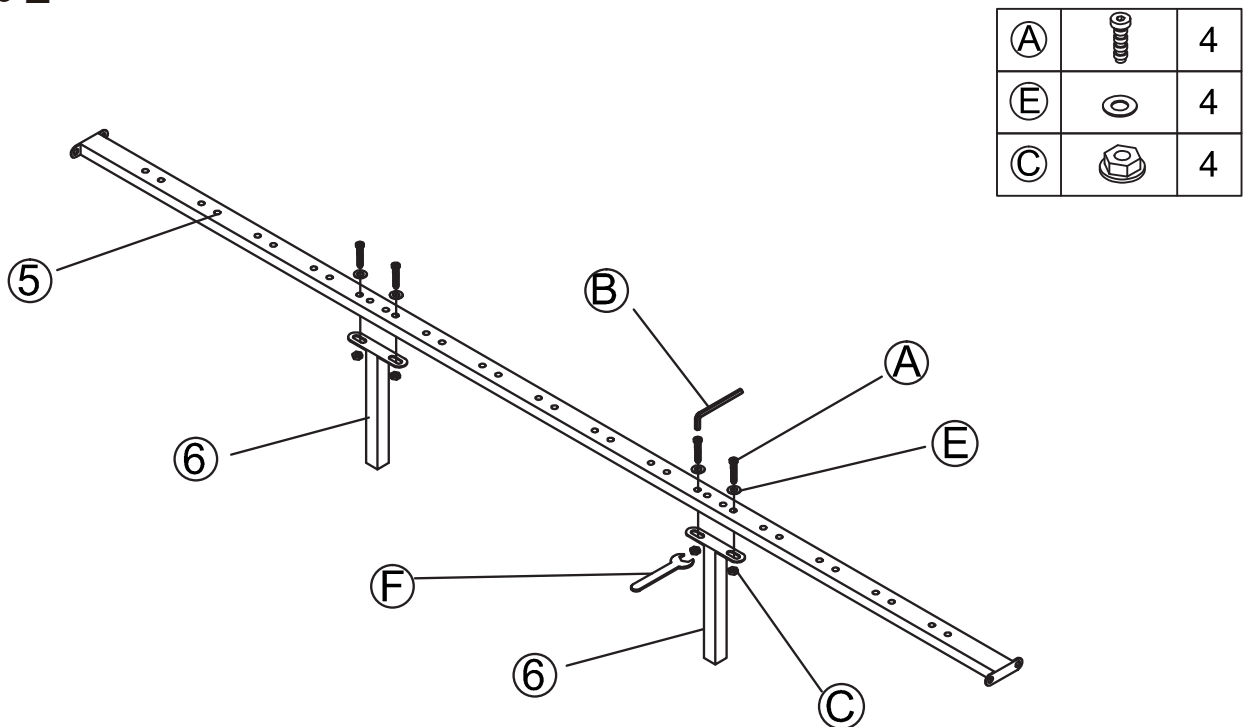


ASSEMBLY INSTRUCTIONS

Step 1





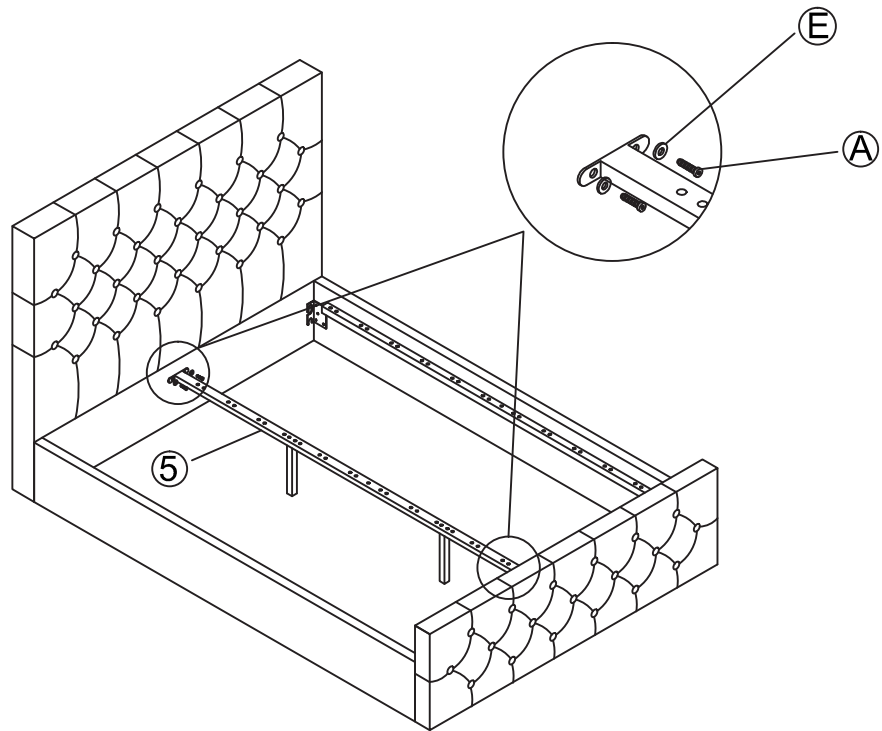
Step 2



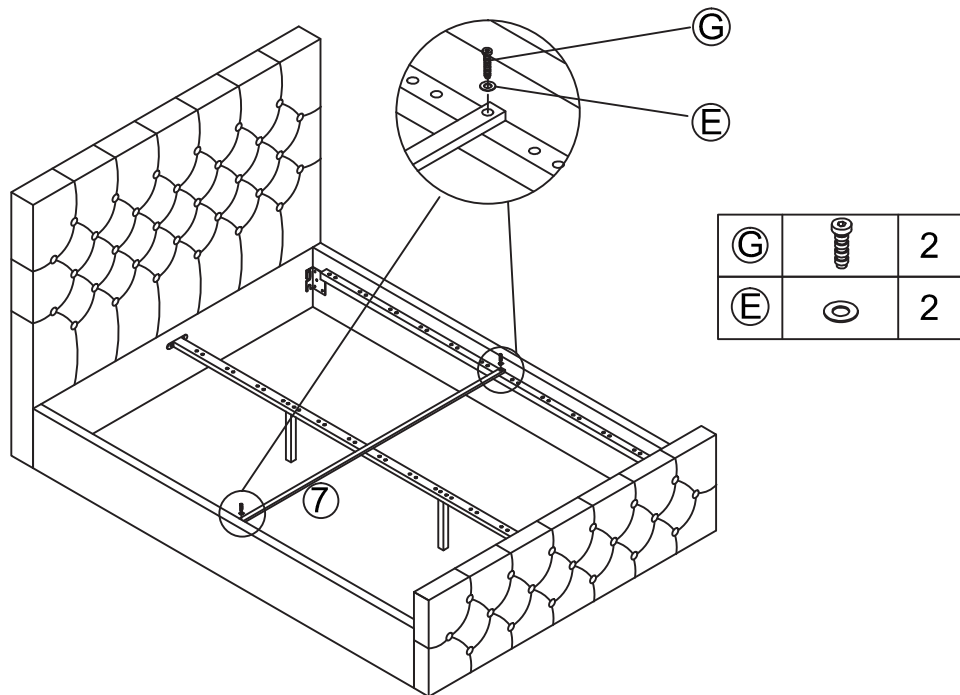
ASSEMBLY INSTRUCTIONS

Step 3

Ⓐ		4
Ⓔ		4

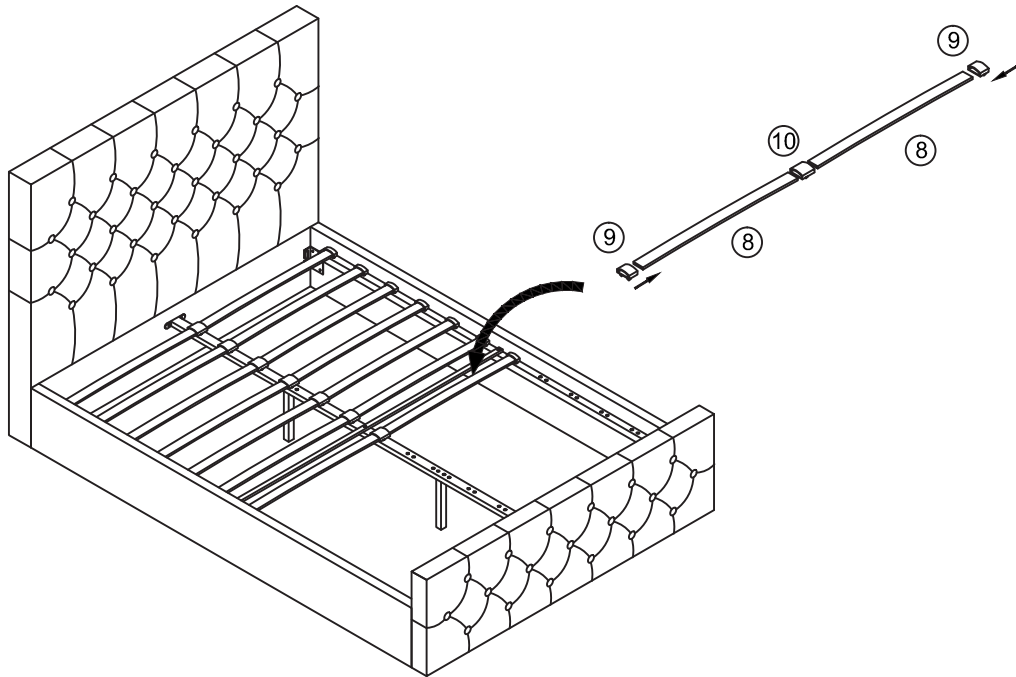


Step 4

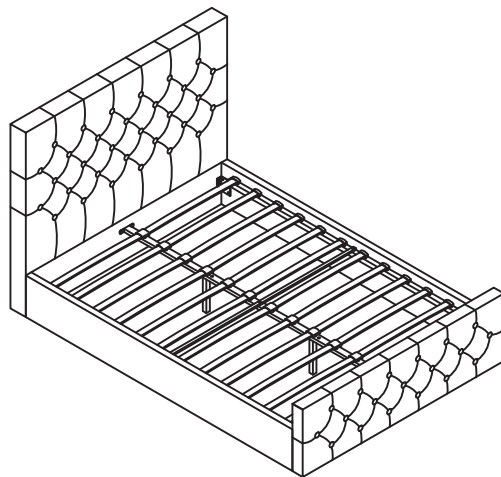


ASSEMBLY INSTRUCTIONS

Step 5



Step 6



Congratulations! Now you have finished assembling the product.



Take care when moving the bed and never drag the bed across the floor as this will cause damage to the joints and central support to legs. Please lift up the bed if you want to move to the bed.

IF YOU FIND A DEFECTIVE PART

We fully stock all parts and components. Any defective part can be quickly replaced. Take note of the defective part number in manual and we will arrange a replacement.

COPYRIGHT

All material in this instruction manual is copyrighted

Any unauthorised use may violate worldwide copyright, trademark and other laws.