

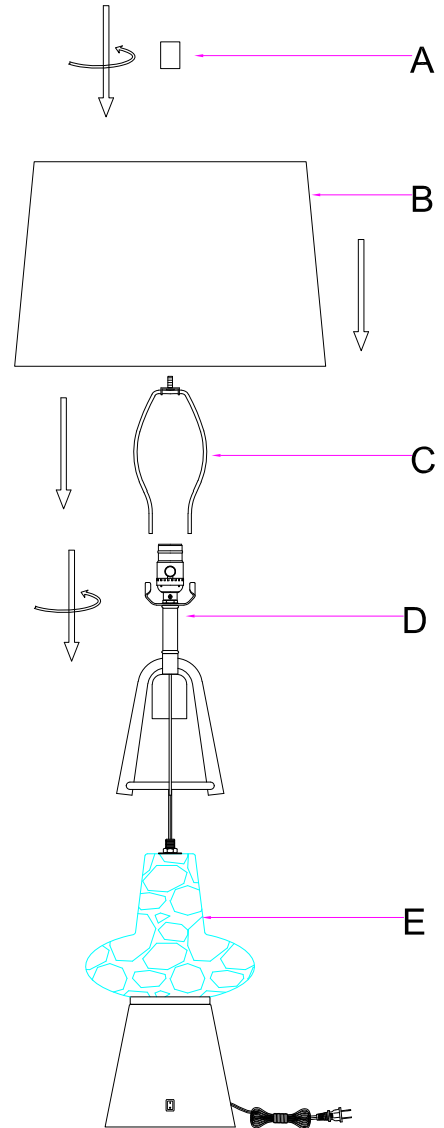
ASSEMBLY INSTRUCTIONS

CAREFULLY UNPACK AND PLACE ALL PARTS ON A SMOOTH SURFACE.

- 1. SCREW SOCKET PART (D) TO GLASS BASE (E).**
- 2. INSERT HARP (C) IN SADDLE OF SOCKET PART (D).**
- 3. PLACE SHADE (B) ON TOP OF THE HARP (C) AND TIGHTENED WITH FINIAL (A).**
- 4. INSTALL RECOMMENDED BULB (NOT INCLUDED IN THIS PACKAGE).**
- 5. INSERT THE PLUG INTO AN OUTLET.**

ENJOY YOUR LIGHT!

USE MAX 100W TYPE A BULB (BULB NOT INCLUDED) AND 2W LED BULB (INCLUDED)



TO REPLACE THE BULB:
TURN OFF POWER (UNPLUG FROM THE WALL OUTLET) BEFORE REPLACING THE BULB, MAKING SURE THE BULB HAVE SUFFICIENT TIME TO COOL DOWN.

DO NOT SUBJECT THIS FIXTURE TO ANY SHOCK WHILE LIT AS SHATTERING OF BULBS MAY RESULT.

THIS PORTABLE LAMP HAS A POLARIZED PLUG (ONE BLADE IS WIDER THAN THE OTHER) AS A SAFETY FEATURE TO REDUCE THE RISK OF ELECTRIC SHOCK. THIS PLUG WILL FIT IN A POLARIZED OUTLET ONLY ONE WAY. IF IT DOES NOT FIT FULLY IN THE OUTLET, REVERSE THE PLUG. IF IT STILL DOES NOT FIT, CONTACT A QUALIFIED ELECTRICIAN. NEVER USE WITH AN EXTENSION CORD UNLESS THE PLUG CAN BE FULLY AND EASILY INSERTED. DO NOT ATTEMPT TO ALTER THE PLUG.

SAVE THESE INSTRUCTIONS FOR FUTURE REFERENCE.