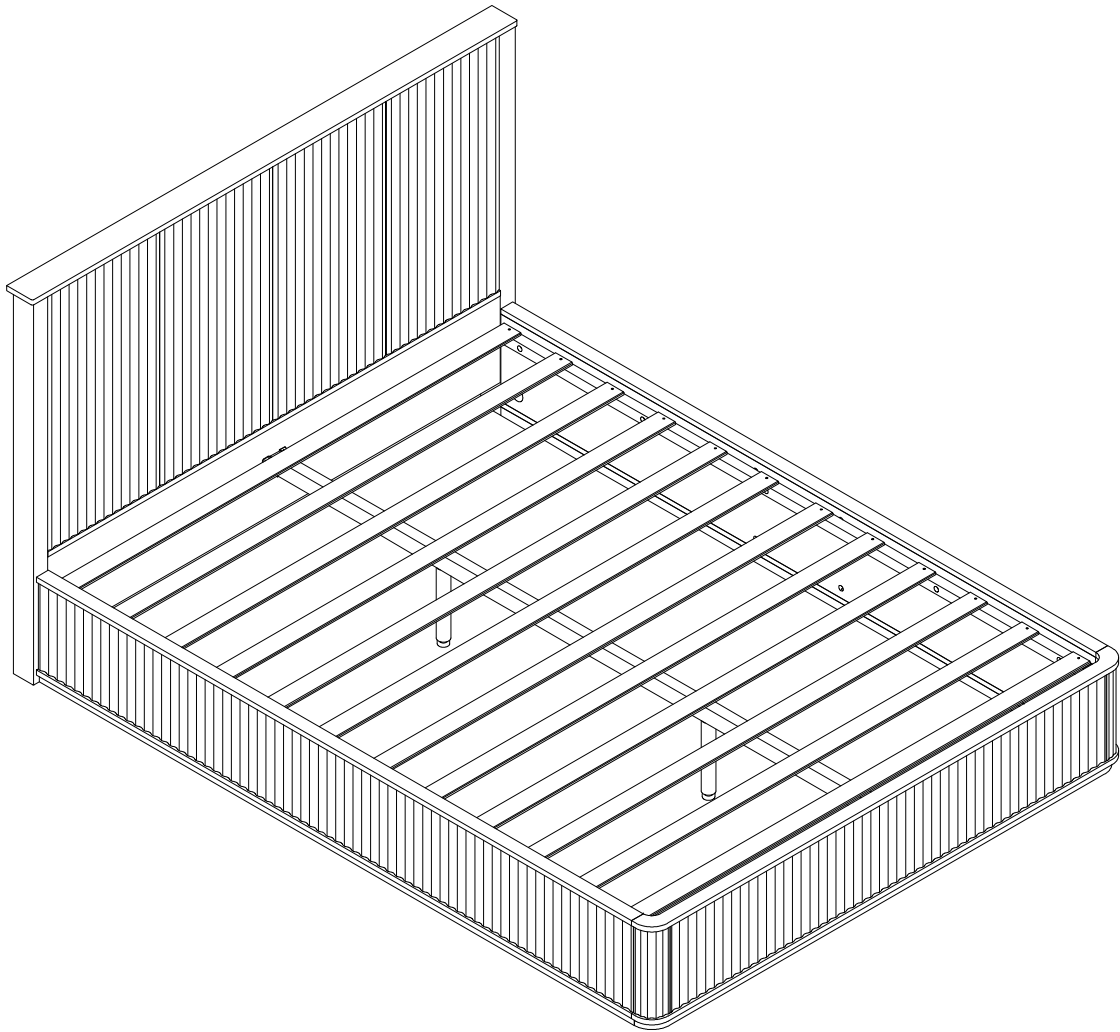


Assembly Instructions



The product is packed in 2 boxes. If only a box was received, please wait for several business days or contact us for further help.

General Guidelines

- Please read the following instruction carefully and use the product accordingly.
- Please keep this manual and hand it over when you transfer the product.
- This summary may not include every detail of all variations and considered steps. Please contact us when further information and help are needed.

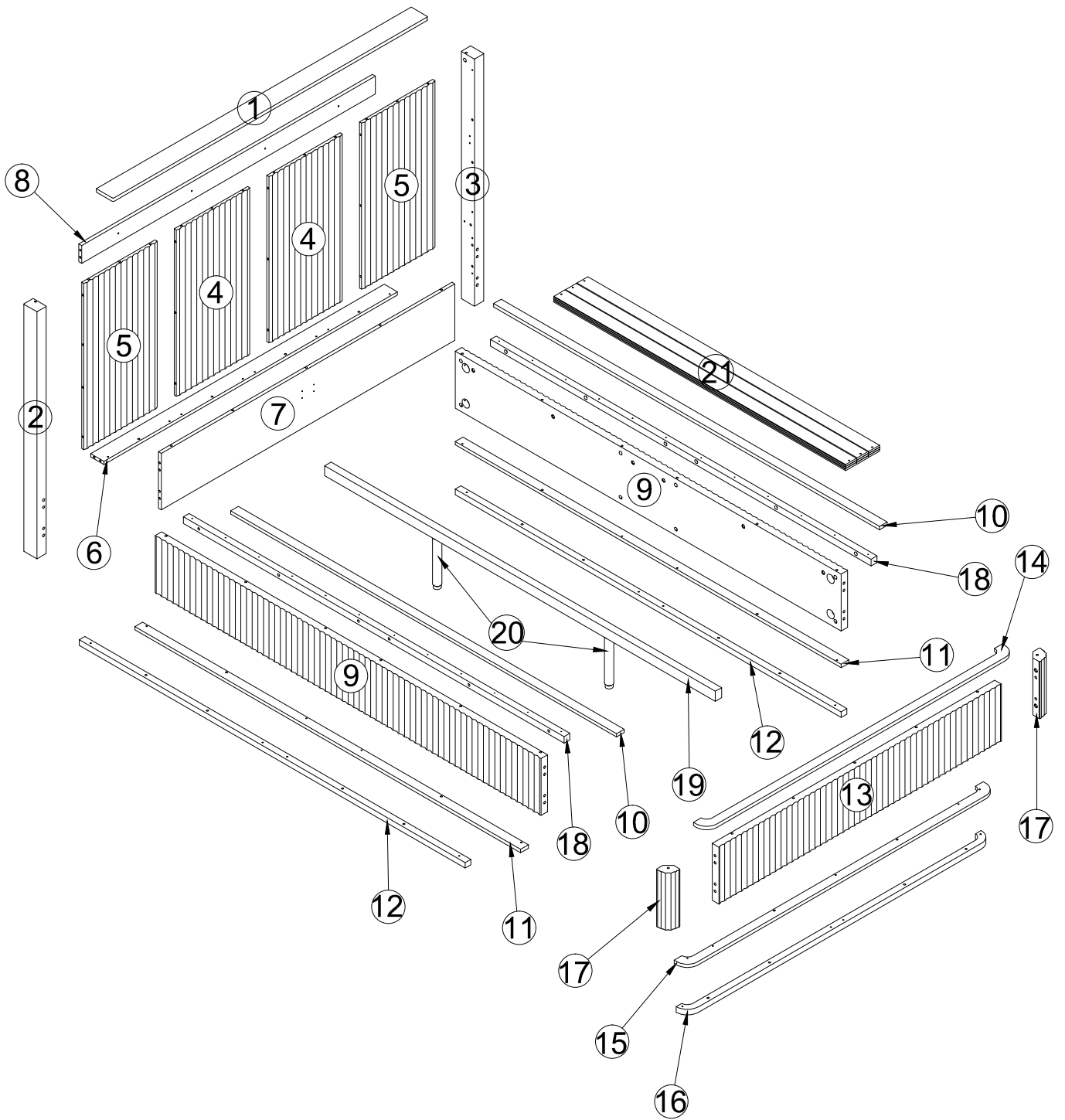
Notes

- The product is intended for indoor use only. The product must be assembled and used in accordance with the provisions of the manual. Personal injury and/or damage to product may occur if products are used outside of their intended purposes and/or if products have been changed/modified from their original design. The seller does not assume any responsibility or liability with respect to any injury/damage caused by incorrect assembly or improper use.
- Avoid long-term exposure to humid environments to prevent mildew.
- Keep the product away from fire sources and high temperatures. Do not expose the product to direct sunlight.
- Do not place any hot objects on the surface of the product.
- If there are any defective or missing parts after unpacking, please cease assembly immediately and contact us.
- Please assemble the item on a spacious surface and do not place the unwrapped product directly on the ground to avoid product damage.
- Please do not stand or sit on the wooden boards.
- Please wear gloves during the assembly and/or disassembly process to avoid scratches from any sharp edges.
- Please match the corresponding part and fitting based on the part number in the manual.
- If the part does not match with the fitting, please check the piece as specified in this manual.
- During assembly, first loosely align all screws with the corresponding pre-drilled holes and then tighten the screws one by one.
- Periodically inspect screw tightness while the product is in use. If necessary, retighten to ensure structural integrity.
- If you accidentally spill water or another liquid on the surface, immediately wipe clean with a dry towel.
- Please keep the product away from sharp, pointed objects and corrosive substances to prevent product damage.
- Please place this item on level, solid ground during use.

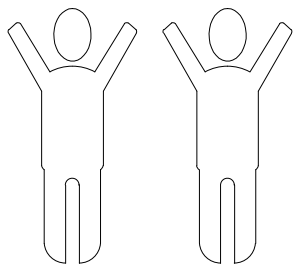
Warnings

- During assembly, keep all small parts out of the reach of children. It may be fatal if swallowed or inhaled.
- Children should not climb or play on the product in order to avoid tipping over the furniture and causing serious injury.
- To avoid the potential dangers of suffocation, please keep all parts and packaging (film, plastic bags, foam, etc.) away from babies and children.
- Keep sharp objects and corrosive items away from the product to avoid any damage or injury.
- Do not shake or move violently during use to avoid tipping over the product.

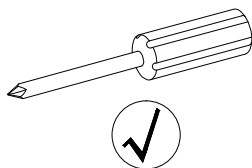
Parts List (EN)



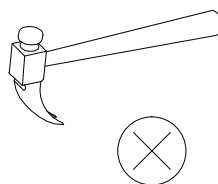
Parts List (EN)



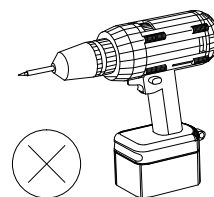
It takes two people to work together to assemble the product.



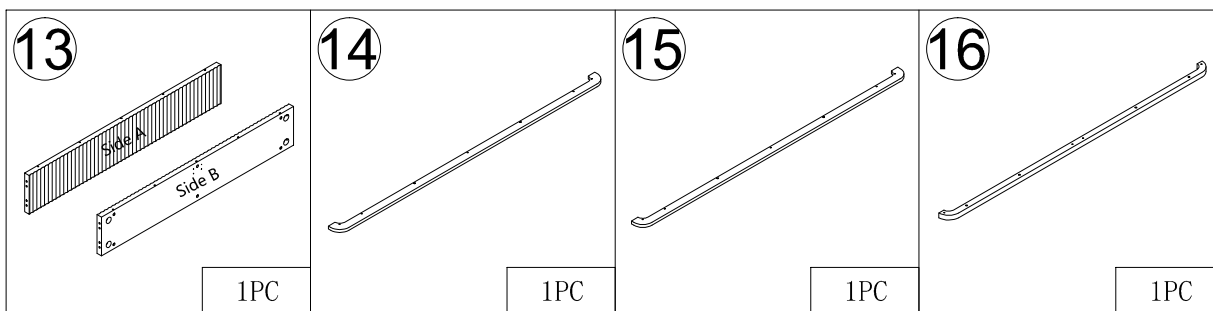
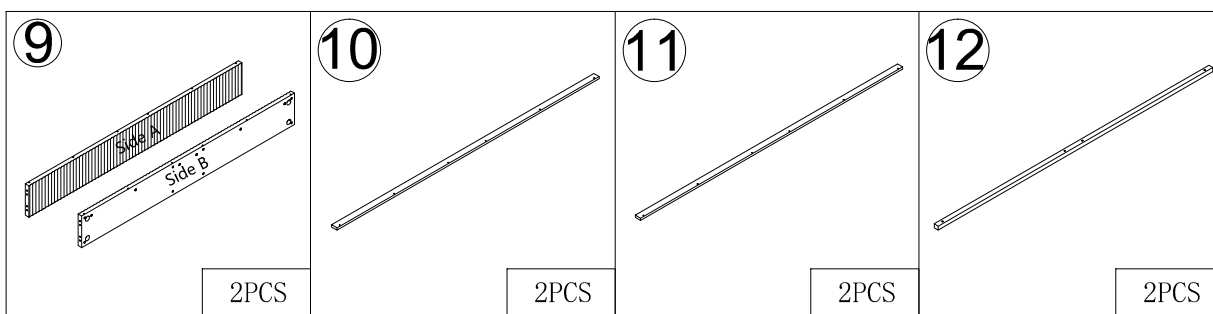
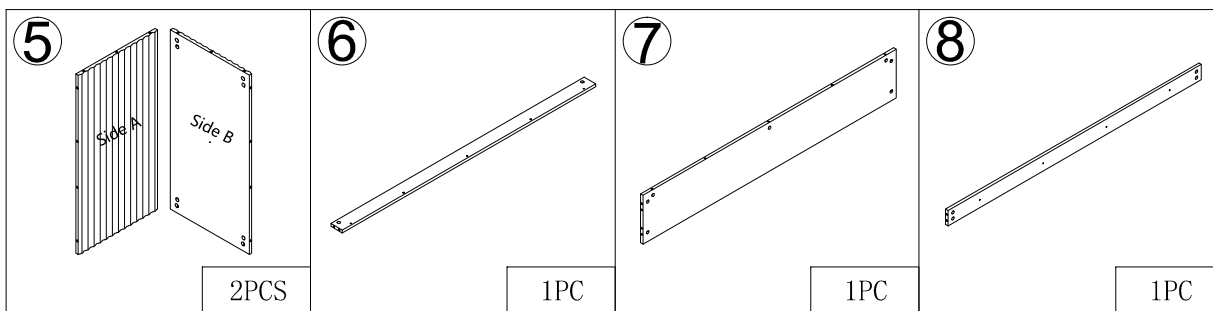
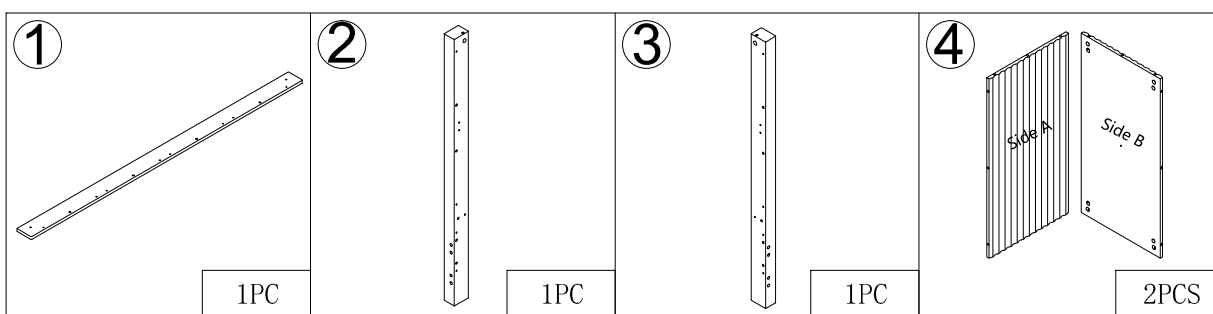
Recommended to use a screwdriver to assemble the product




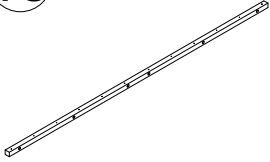
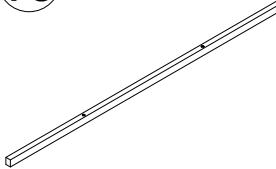

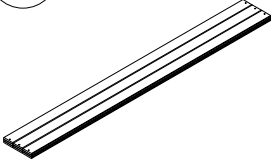
Do not use a hammer, it might damage the board.






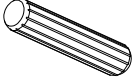
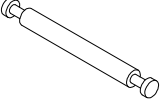
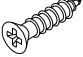
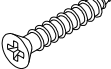
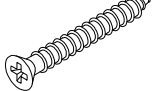
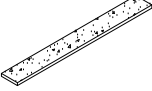
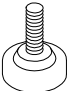
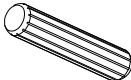
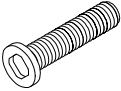
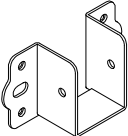
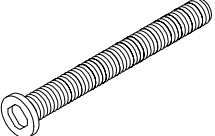
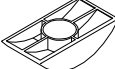
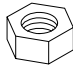

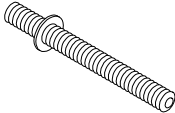

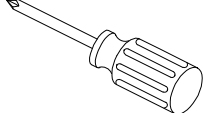
The use of an electric wrench is not recommended. If used, please set the torque to the minimum.




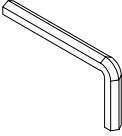
Parts List (EN)

<p>17</p>  <p>2PCS</p>	<p>18</p>  <p>2PCS</p>	<p>19</p>  <p>1PC</p>	<p>20</p>  <p>2PCS</p>
<p>21</p>  <p>12PCS</p>			

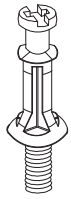
Parts List (EN)

<p>No. A Quantity:61+3 Pcs Cam Lock Dowel 8*28mm</p> 	<p>No. B Quantity:73+4 Pcs Cam φ15</p> 	<p>No. C Quantity:26+2 Pcs Sticker Ø20</p> 	<p>No. D Quantity:47+3 Pcs Dowel 8*30mm</p> 
<p>No. E Quantity:6+1 Pcs Double-ended rod 6*64mm</p> 	<p>No. F Quantity:8+1 Pcs Screw M3.5*14mm</p> 	<p>No. G Quantity:6+1 Pcs Screw M3.5*25mm</p> 	<p>No. H Quantity:36+3 Pcs Screw M4*30mm</p> 
<p>No. I Quantity:12 Pcs Foot Pad 100*12*2</p> 	<p>No. J Quantity:2 Pcs Adjust The Foot</p> 	<p>No. K Quantity:12+1 Pcs Dowel 10*40mm</p> 	<p>No. L Quantity:12+1 Pcs Screw M8*35mm</p> 
<p>No. M Quantity:2 Pcs U-shaped hardware 86*45*30</p> 	<p>No. N Quantity:4+1 Pcs Screw M8*130mm</p> 	<p>No. O Quantity:12 Pcs Gasket 29*15*7</p> 	<p>No. P Quantity:12 Pcs Hex nut M8</p> 
<p>No. Q Quantity:4 Pcs Glove</p> 	<p>No. R Quantity:8+1 Pcs Full tooth screw M8*80mm</p> 	<p>No. S Quantity:4+1 Pcs Gasket</p> 	<p>No. T Quantity:1 Pc Screwdriver</p> 

Parts List (EN)

<p>No. U Quantity: 1 Pc Wrench</p> 	<p>No. V Quantity: 1 Pc Allen Key 5#</p> 		
--	--	--	--

Instructions For Fastening CAM-BOLT and CAM-LOCK

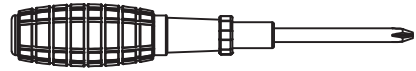


CAM-BOLT

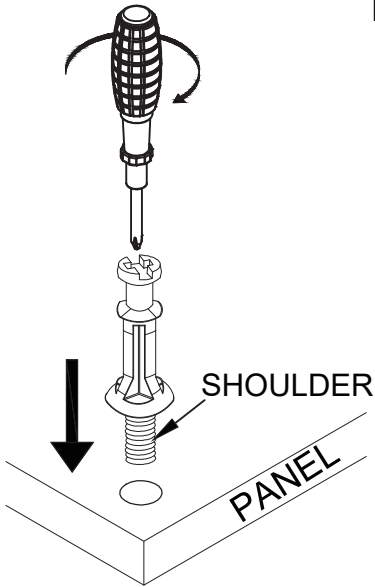


CAM-LOCK

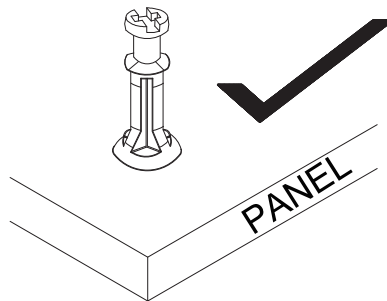
Tools Required



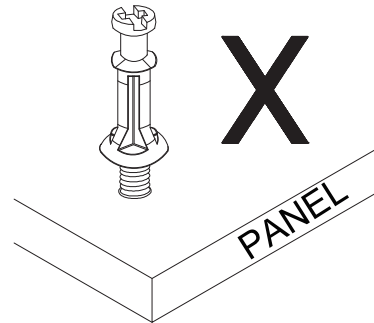
INSERTING AND TIGHTENING CAM-BOLT



Place Cam-bolt on pre-drilled hole and screw in vertically



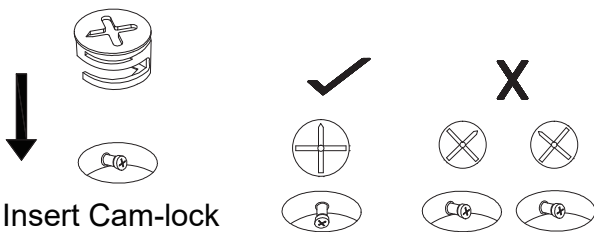
Shoulder is flushed (on the same level) with the panel.



Shoulder is above the panel.

Place Cam-bolt on the designated pre-drilled holes on the panel. Use a Phillips Screwdriver to screw-in Cam-bolt vertically until shoulder is flushed (on the same level) with panel.

INSERTING CAM-LOCK

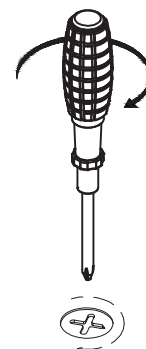


Insert Cam-lock with arrow align to Cam-bolt head

CORRECT

WRONG

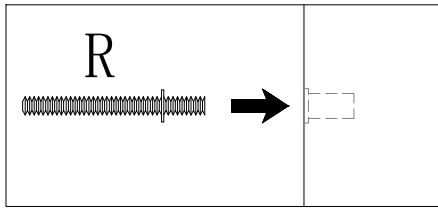
TIGHTENING CAM-LOCK



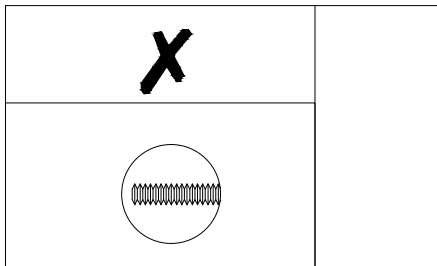
Align the arrow on the Cam-lock to the Cam-bolt head and insert the Cam-lock. Ensure Cam-lock is fully inserted.

Use a Flat-head Screwdriver to turn Camlock clockwise so it locks onto the head of the Cam-bolt. Turn until it is snug (about 3/4ths of a turn) -- over-tightening could damage Cam-lock or/and Cam-bolt.

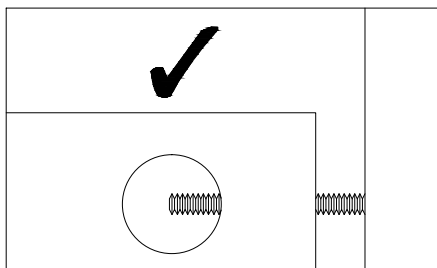
Installation Instructions for Hardware Labeled 'R' and Accessories Labeled 'O' and 'P'



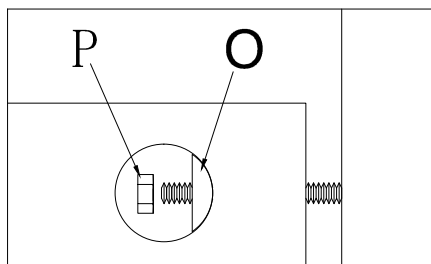
In the previous step, please screw the parts labeled 'R' into the holes.



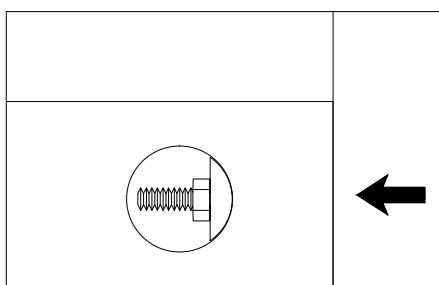
When installing, please do not fully push the footboard or headboard with the already installed 'R' accessory into the side panels, otherwise it will make it inconvenient to install the accessories marked 'O' and 'P'.



During installation, please push the bed footboard or headboard with the installed 'R' accessories into the side panels 80% to facilitate the installation of the accessories marked 'O' and 'P'.

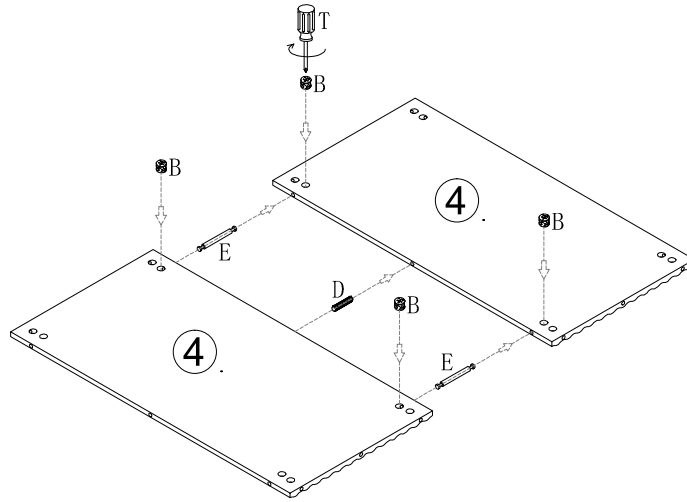



Please first push the accessory marked 'O' into the accessory marked 'R', then screw in the accessory marked 'P'.



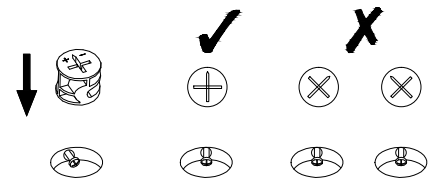
After screwing in the parts marked 'P' to prevent 'O' and 'P' from falling out, fully push the footboard or headboard into the side panels, and finally lock 'P' in place.

STEP 1



 Align the arrow on the Cam-lock to the Cam-bolt head and insert the Cam-lock. Ensure Cam-lock is fully inserted.

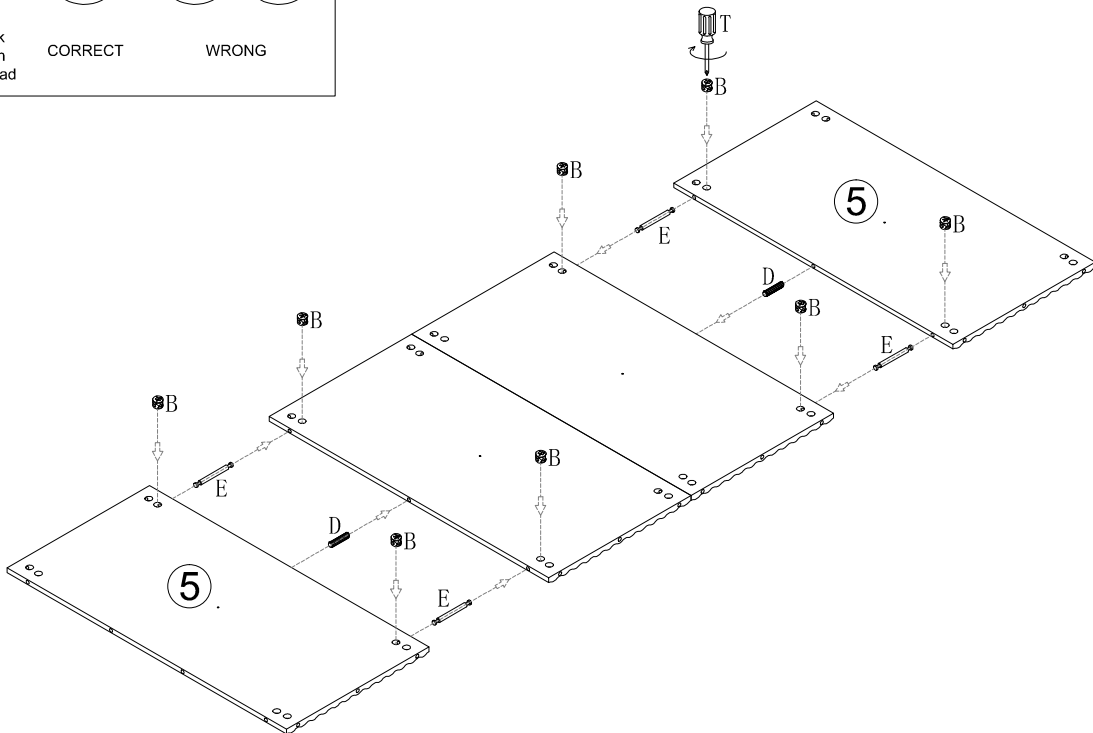
INSERTING AND TIGHTENING CAM-BOLT


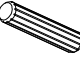
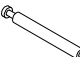


Insert Cam-lock with arrow align to Cam-bolt head

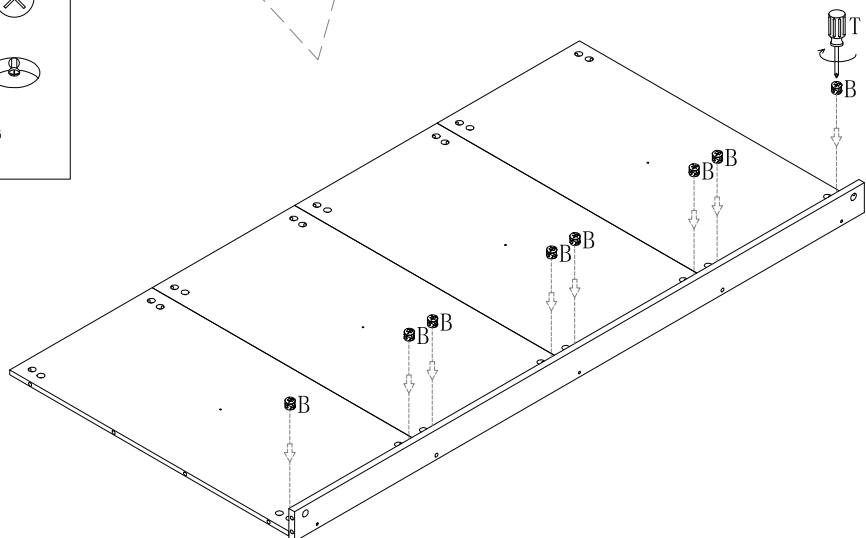
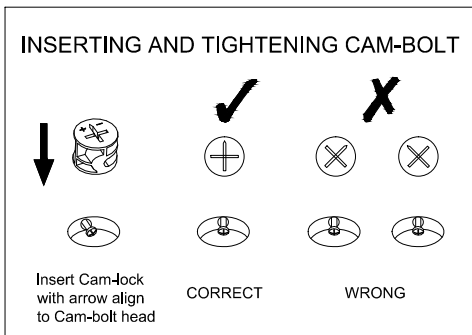
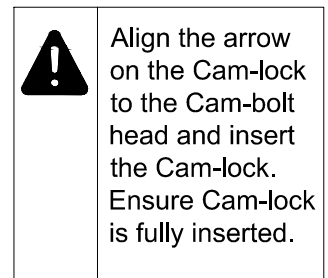
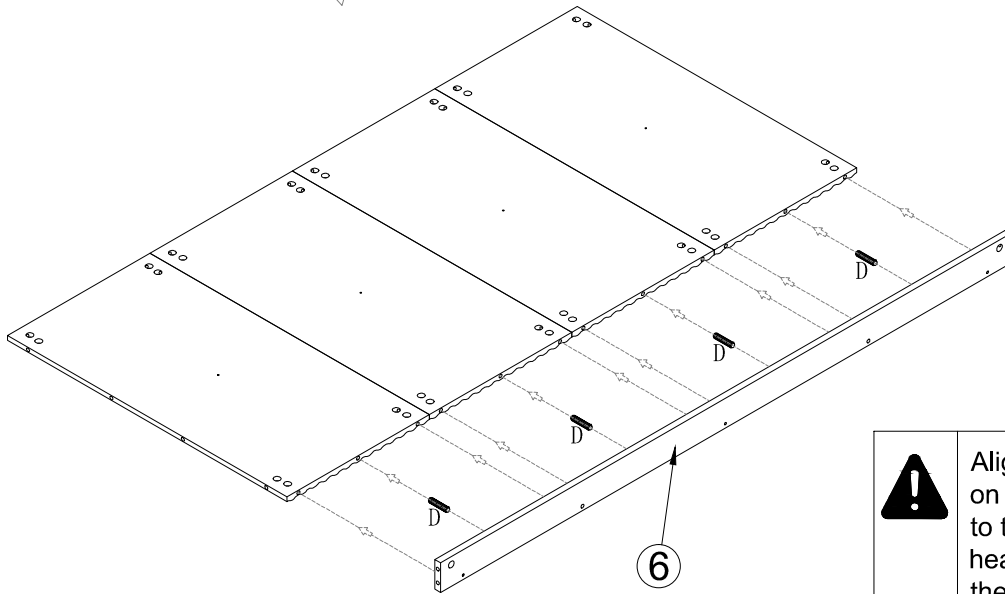
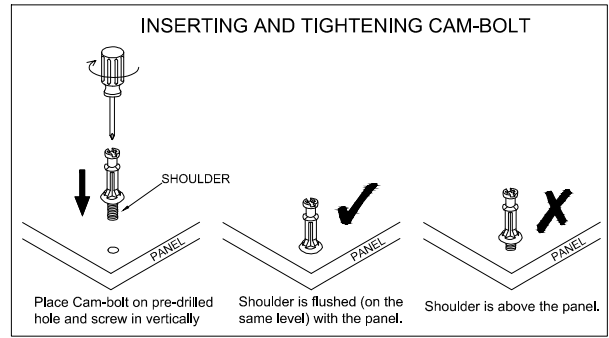
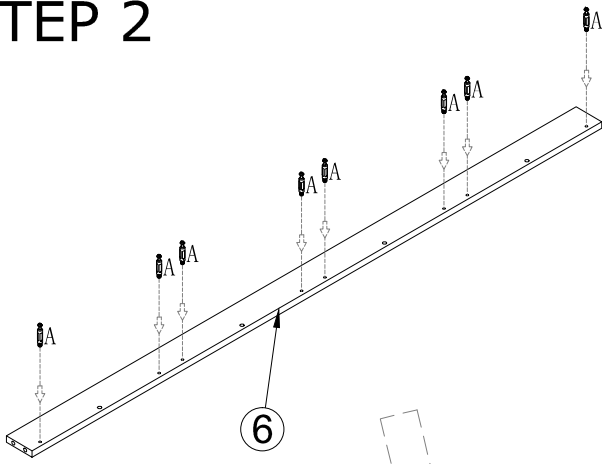
CORRECT

WRONG



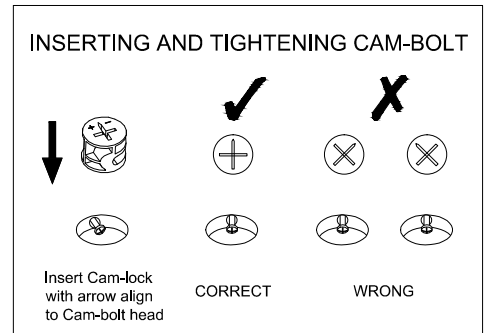
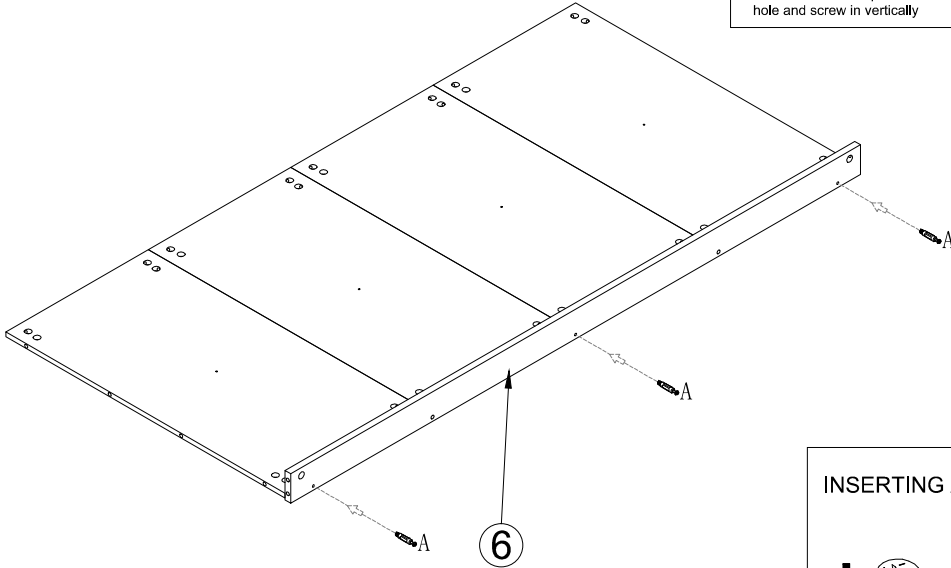
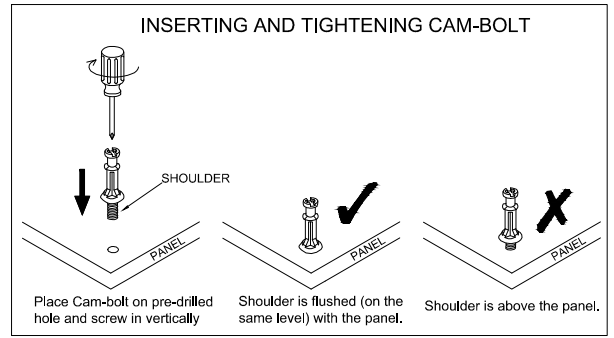
	B×12PCS
	D×3PCS
	E×6PCS

STEP 2

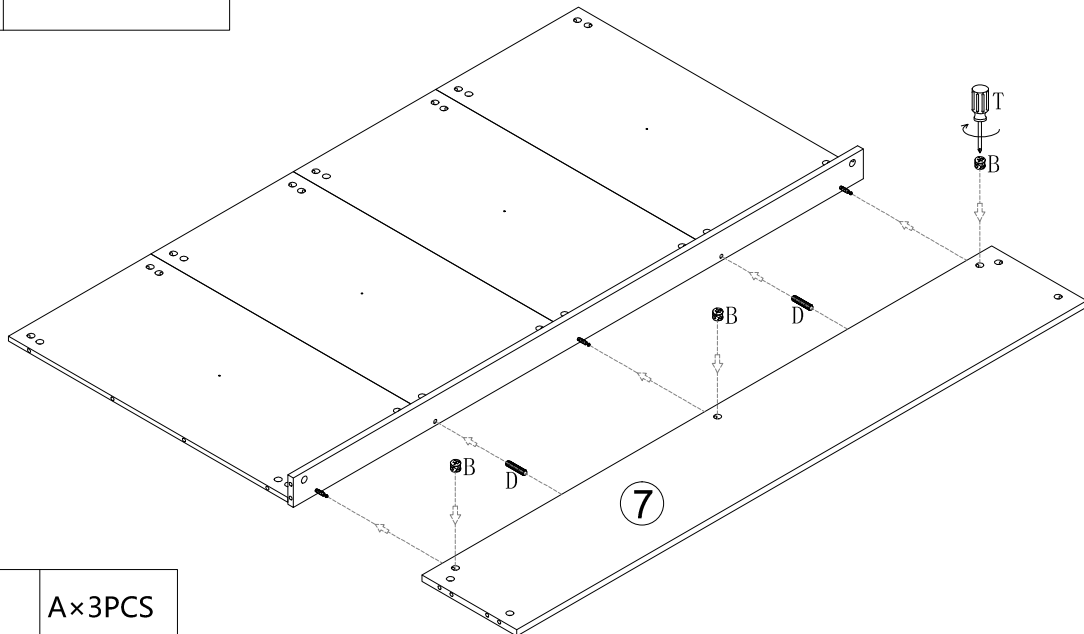


	A×8PCS
	B×8PCS
	D×4PCS

STEP 3

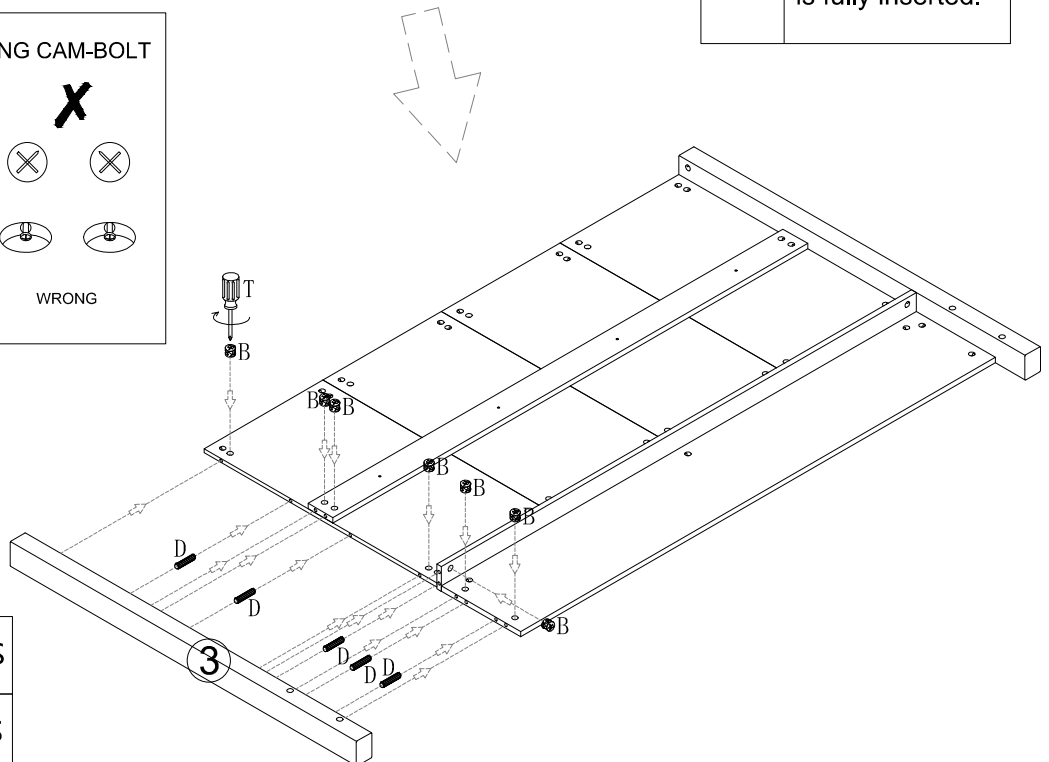
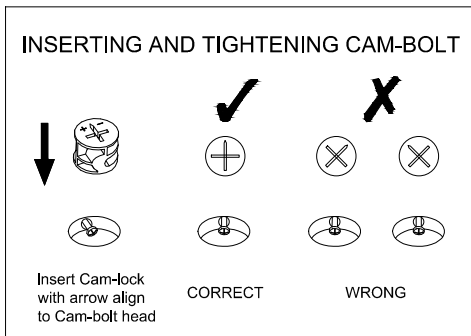
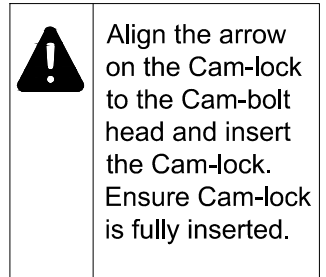
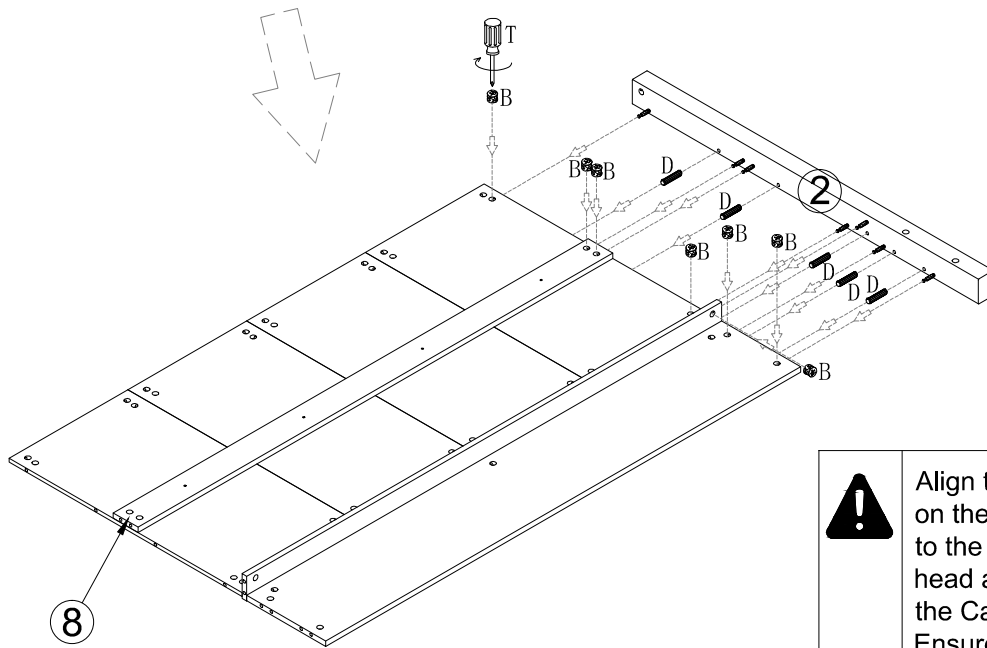
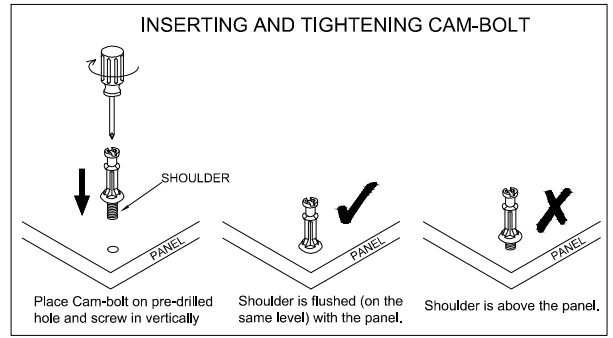
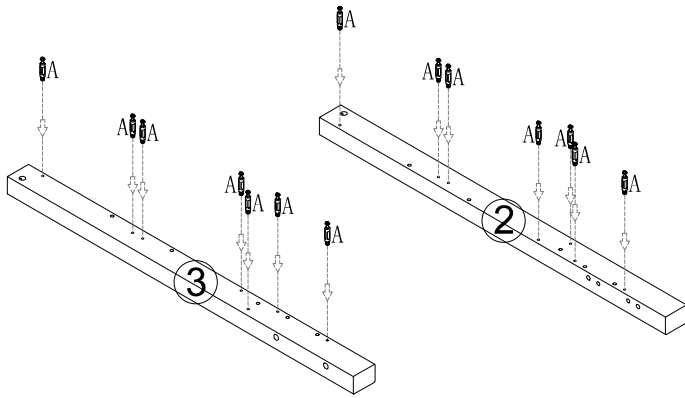


! Align the arrow on the Cam-lock to the Cam-bolt head and insert the Cam-lock. Ensure Cam-lock is fully inserted.



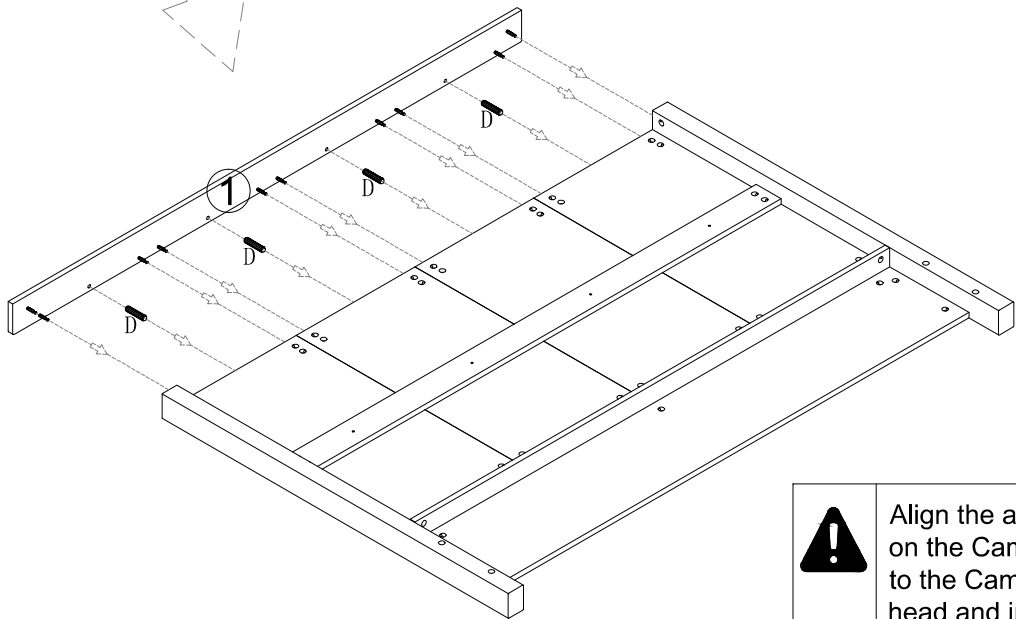
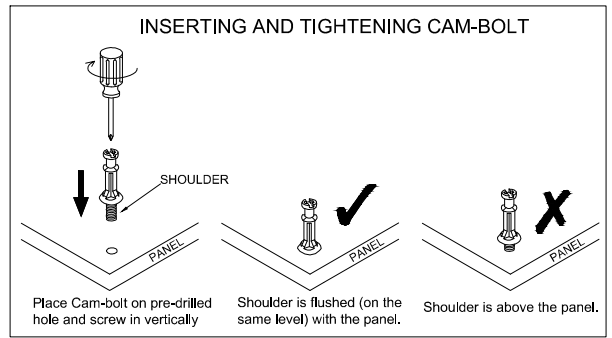
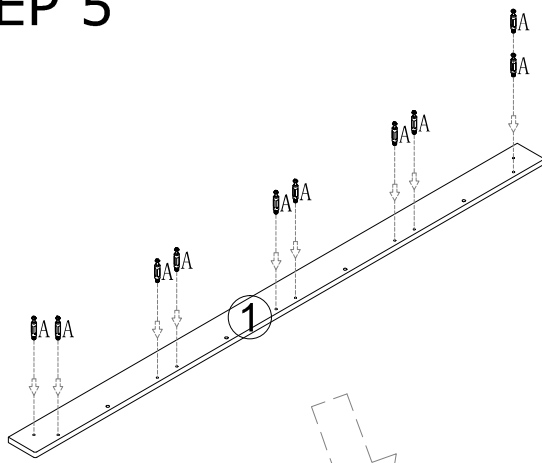
	A×3PCS
	B×3PCS
	D×2PCS

STEP 4

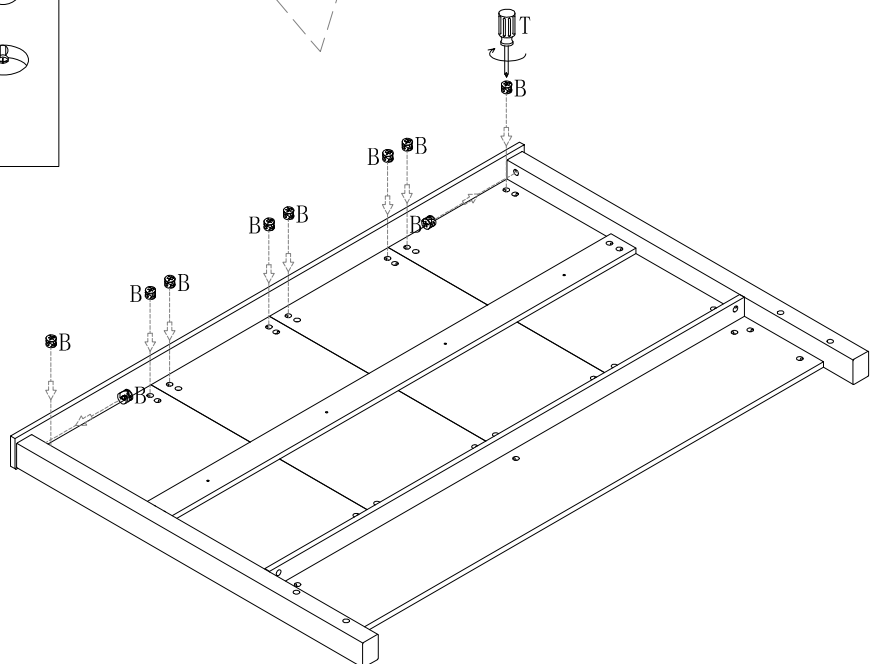
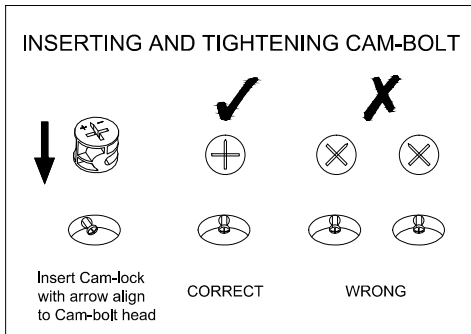


	A × 14 PCS
	B × 14 PCS
	D × 10 PCS

STEP 5

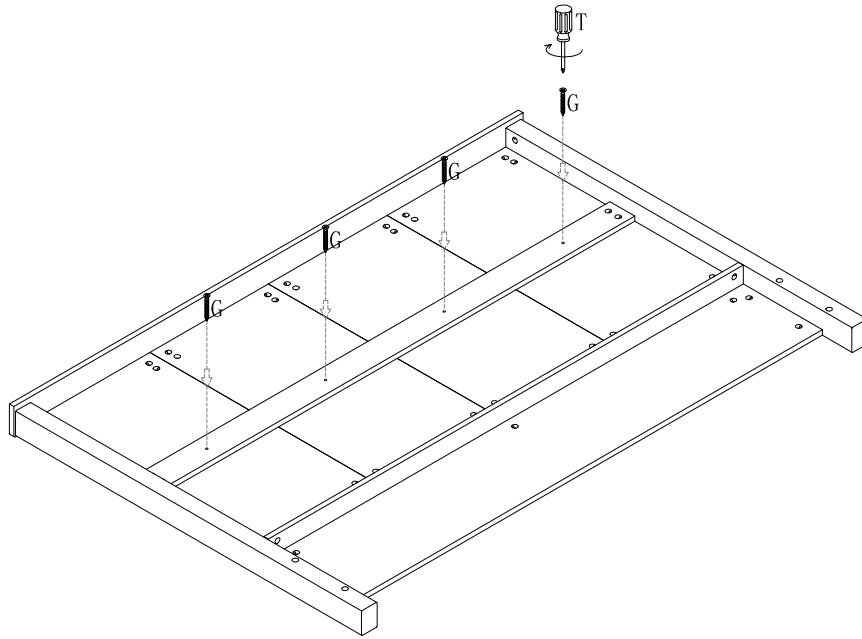


! Align the arrow on the Cam-lock to the Cam-bolt head and insert the Cam-lock. Ensure Cam-lock is fully inserted.

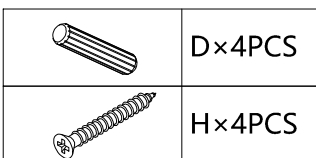
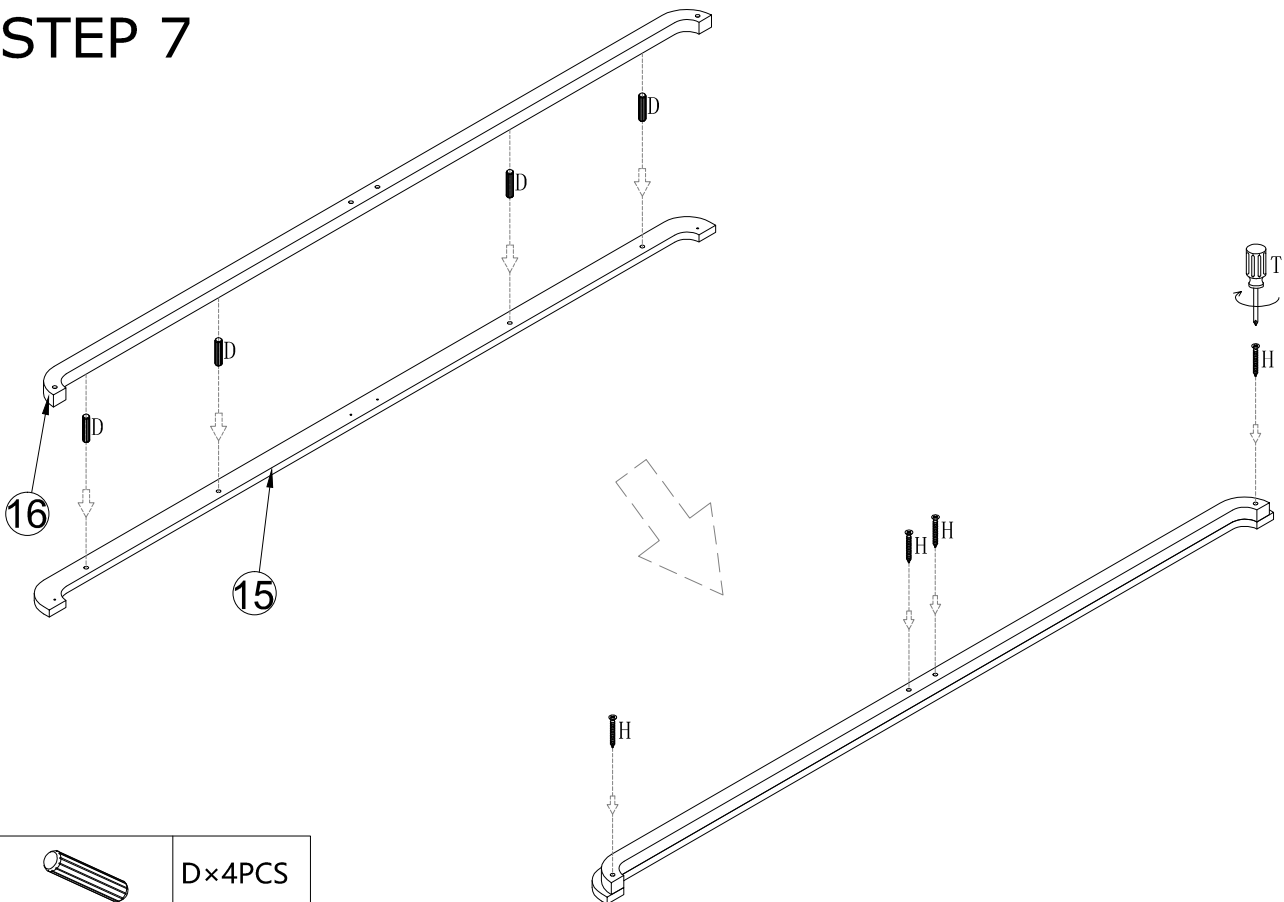


	A×10PCS
	B×10PCS
	D×4PCS

STEP 6



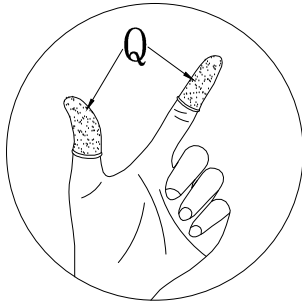
STEP 7



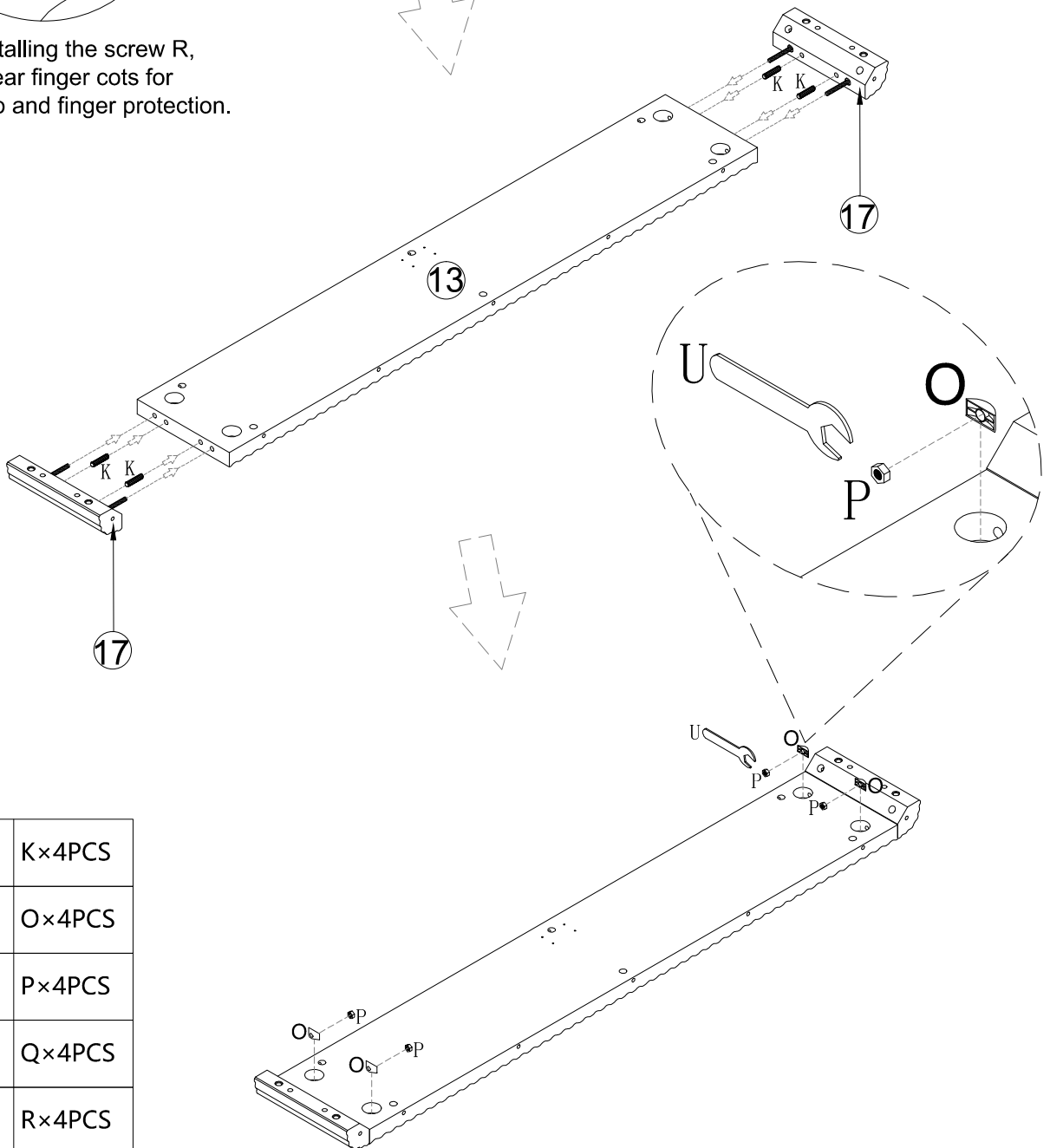
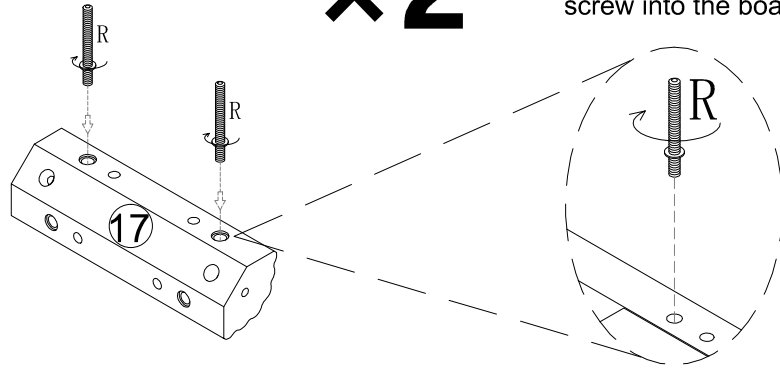
STEP 8

x2

Note: Screw the shorter end of the screw into the board.

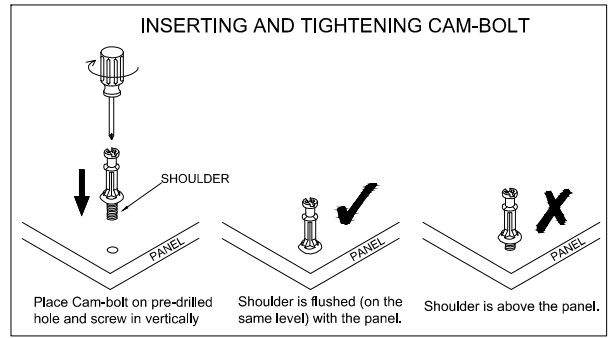
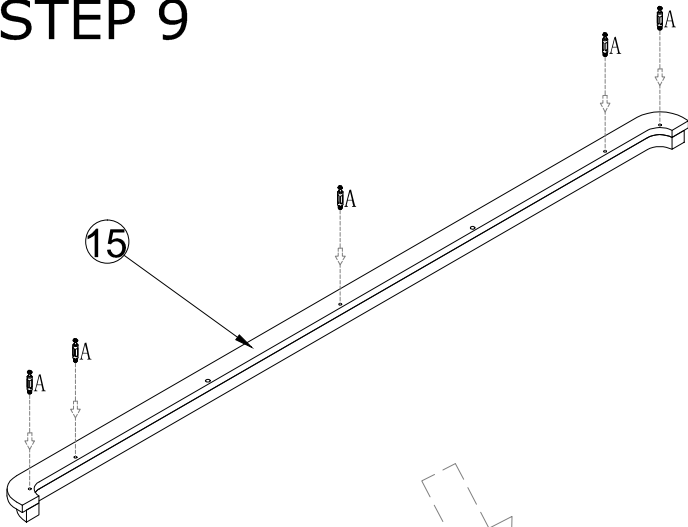


When installing the screw R, please wear finger cots for better grip and finger protection.

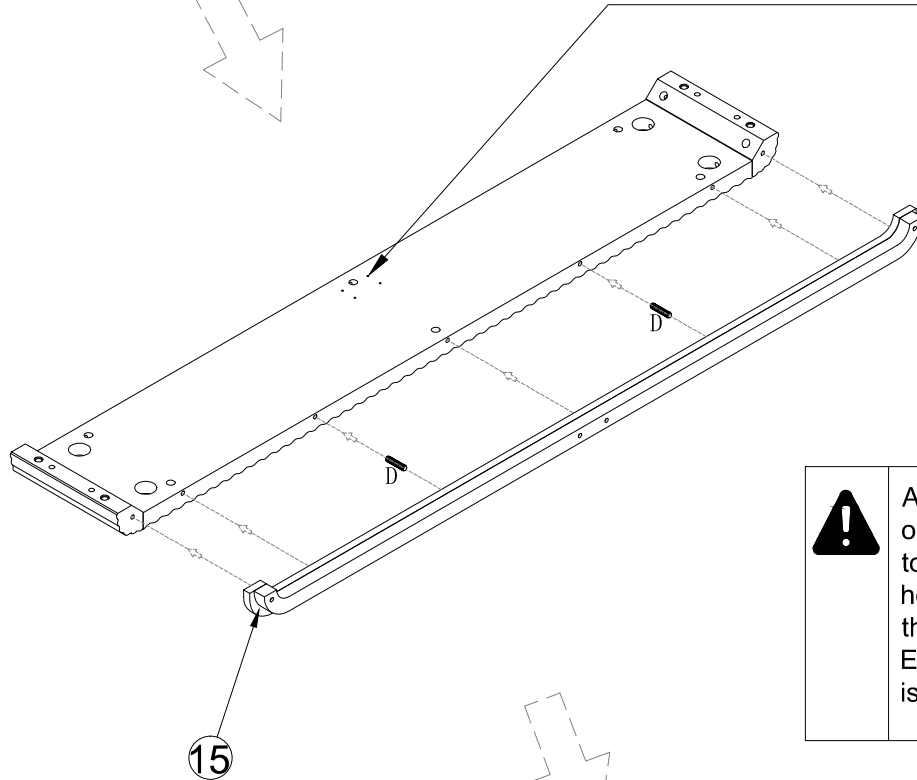


	K×4PCS
	O×4PCS
	P×4PCS
	Q×4PCS
	R×4PCS
	U×1PC

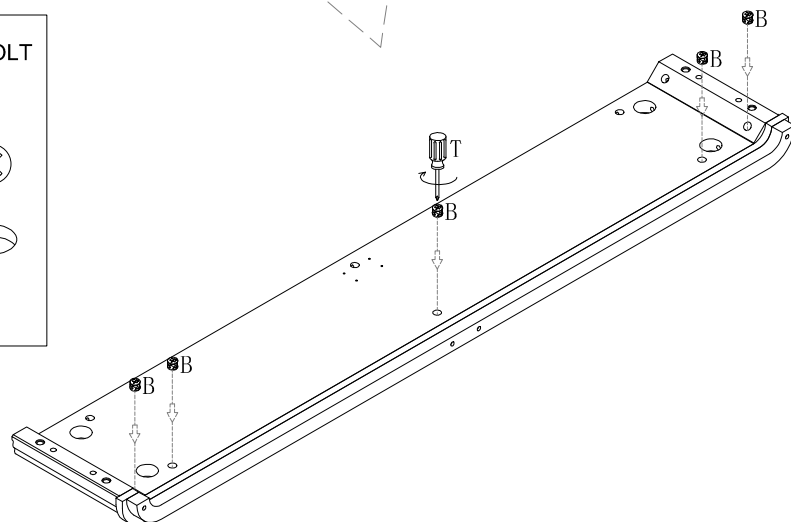
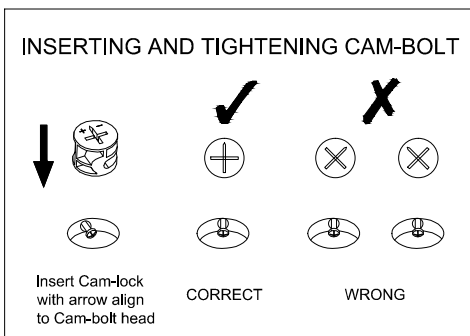
STEP 9

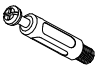




Please pay attention to the orientation when installing; the side with the guide hole should be on top.

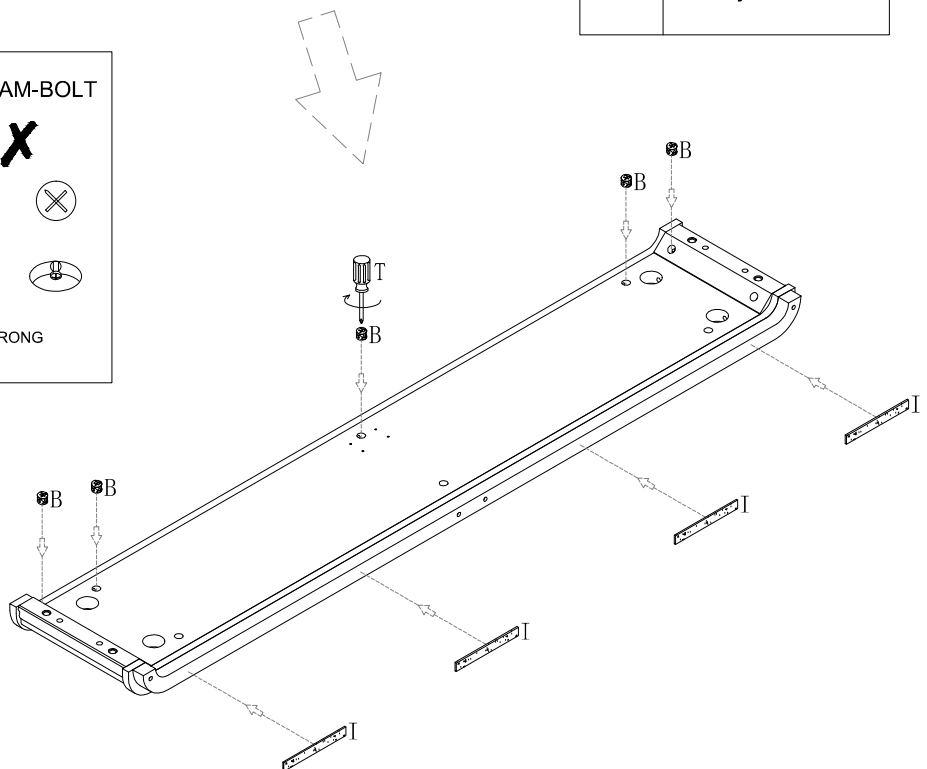
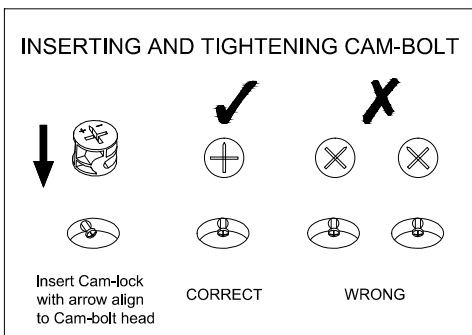
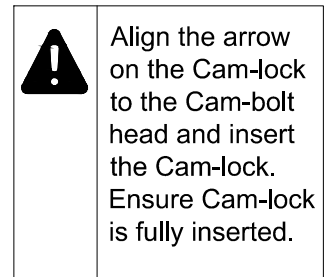
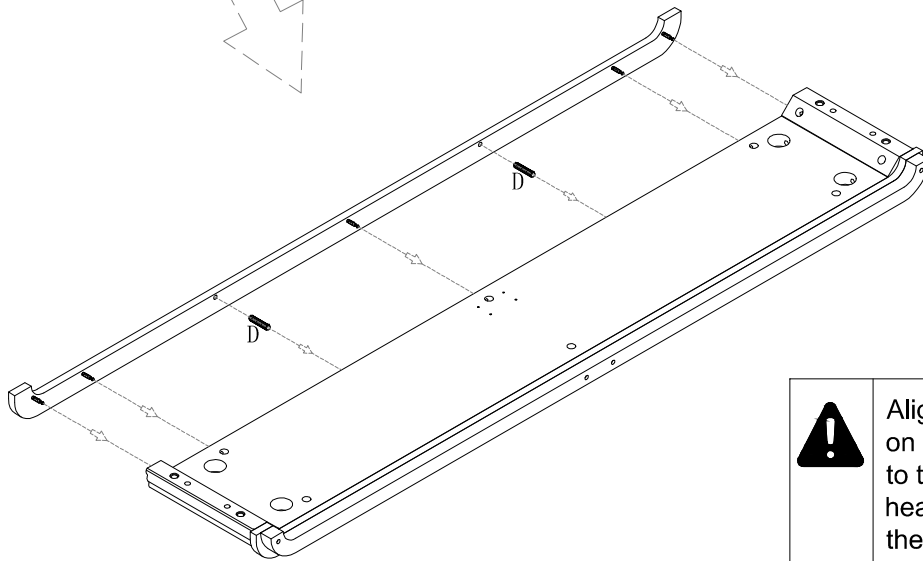
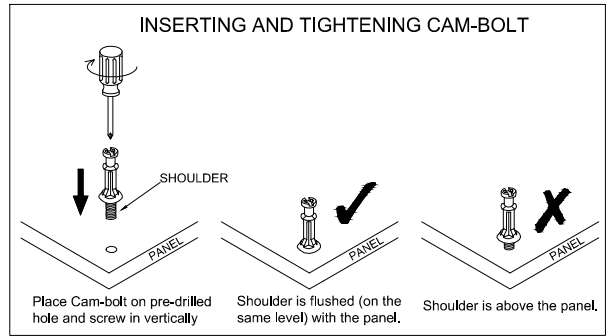
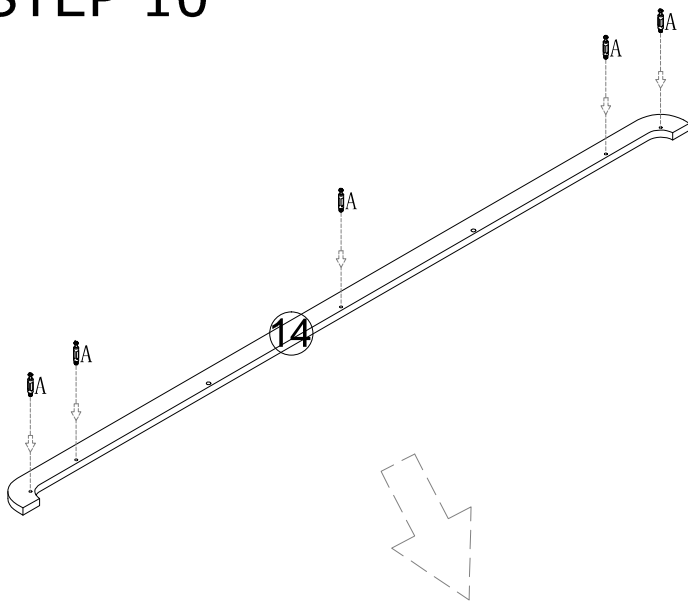


! Align the arrow on the Cam-lock to the Cam-bolt head and insert the Cam-lock. Ensure Cam-lock is fully inserted.



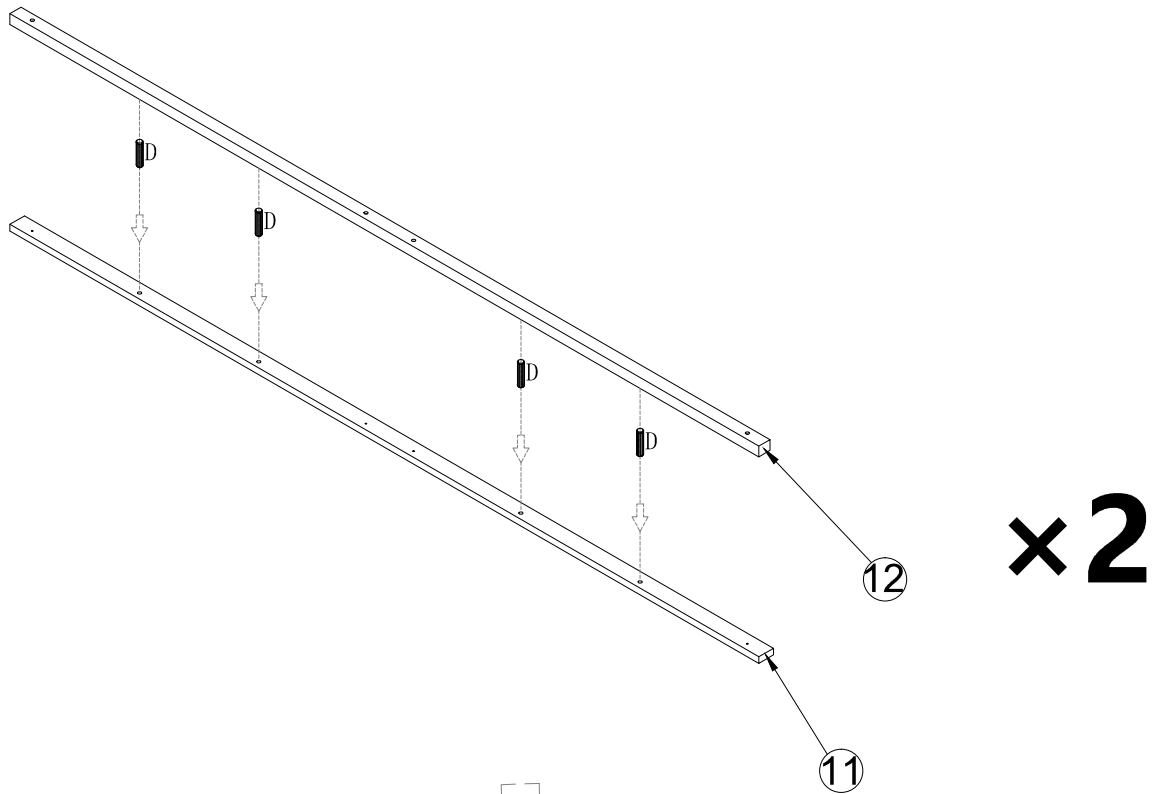
	A×5PCS
	B×5PCS
	D×2PCS

STEP 10

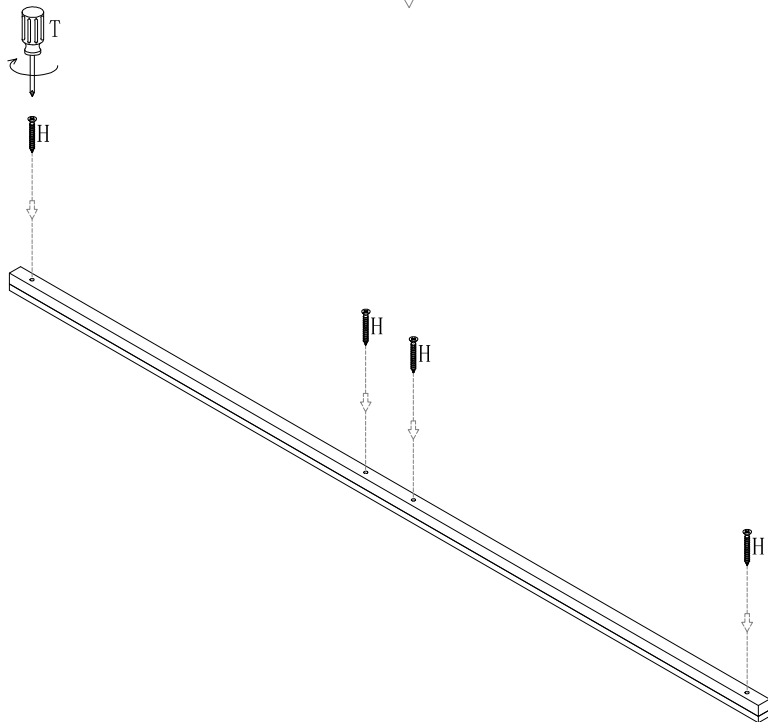


	A×5PCS
	B×5PCS
	D×2PCS
	I×4PCS

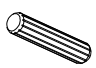
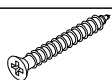
STEP 11



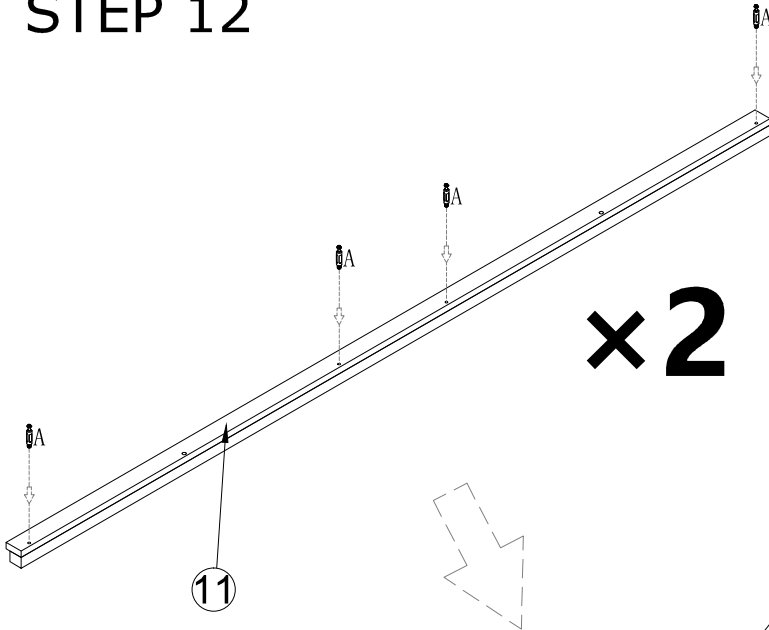
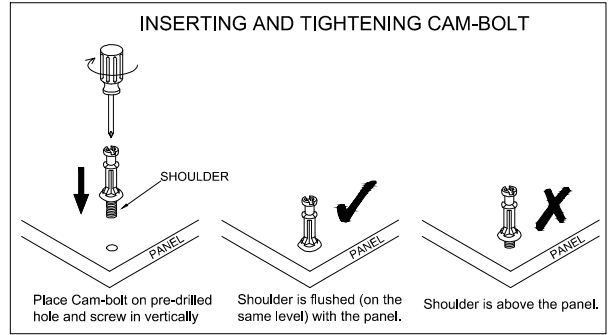
x2



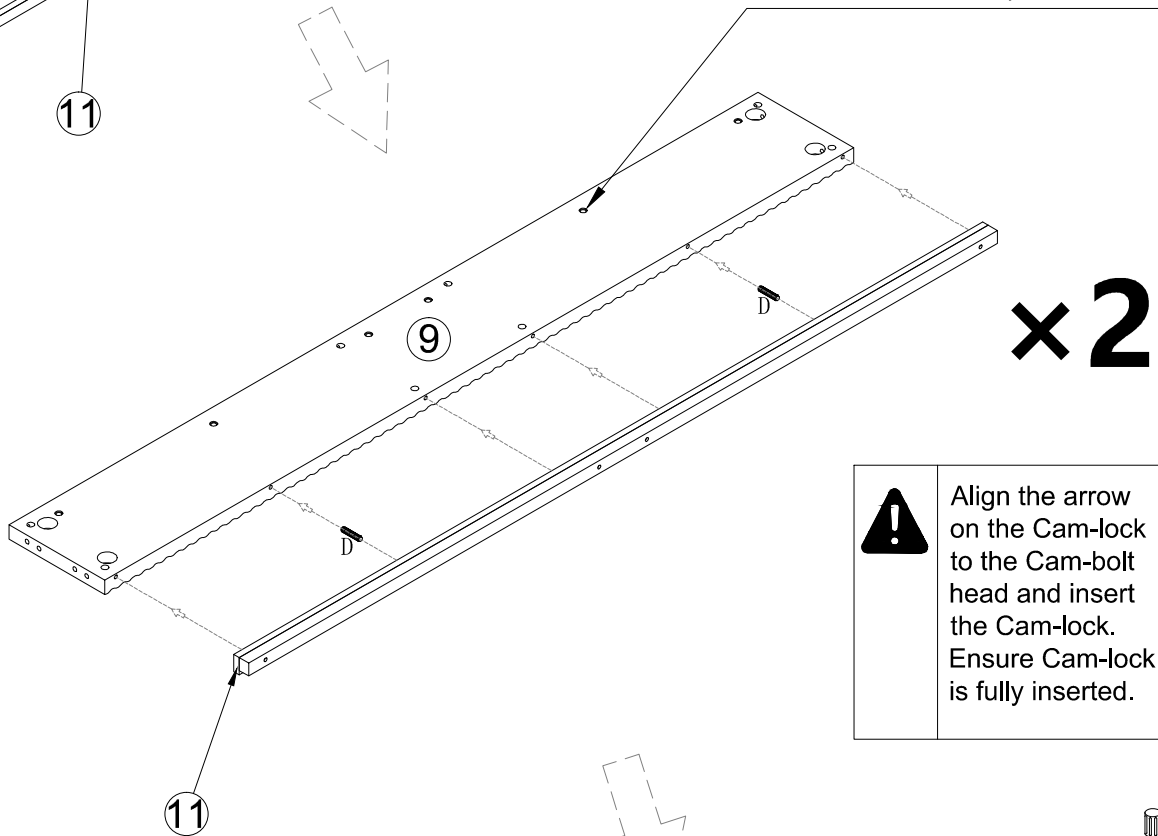
x2

	D×8PCS
	H×8PCS

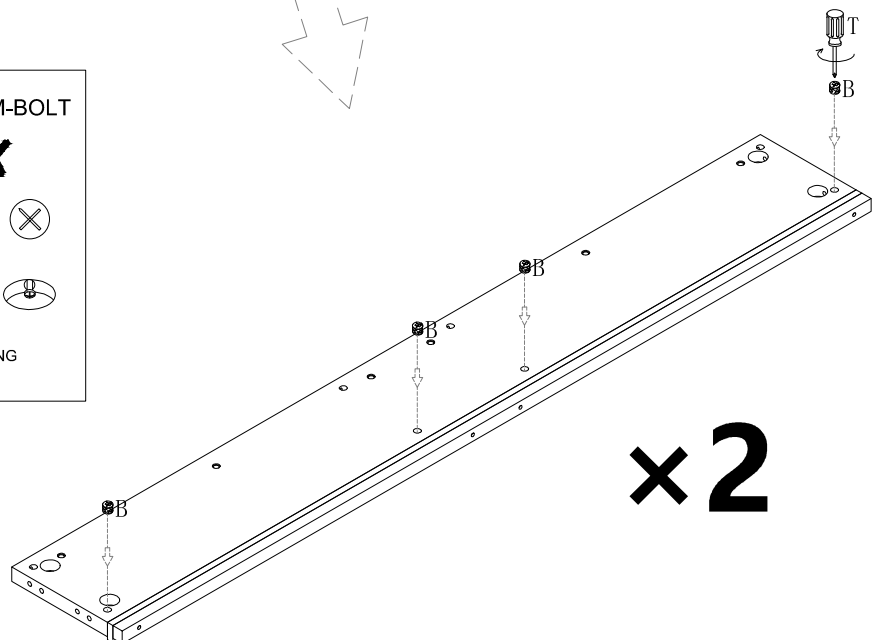
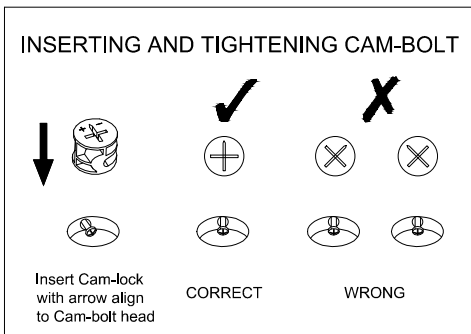
STEP 12



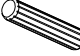


Please pay attention to the orientation when installing; the side with the guide hole should be on top.

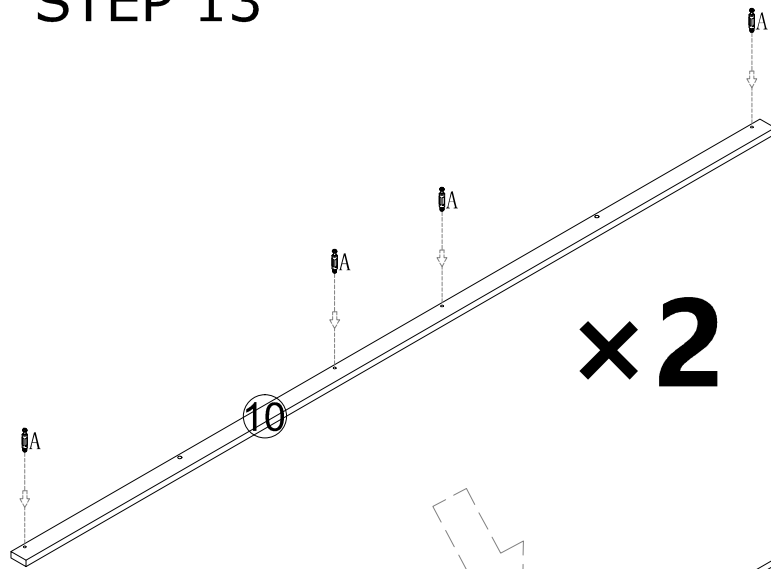


! Align the arrow on the Cam-lock to the Cam-bolt head and insert the Cam-lock. Ensure Cam-lock is fully inserted.

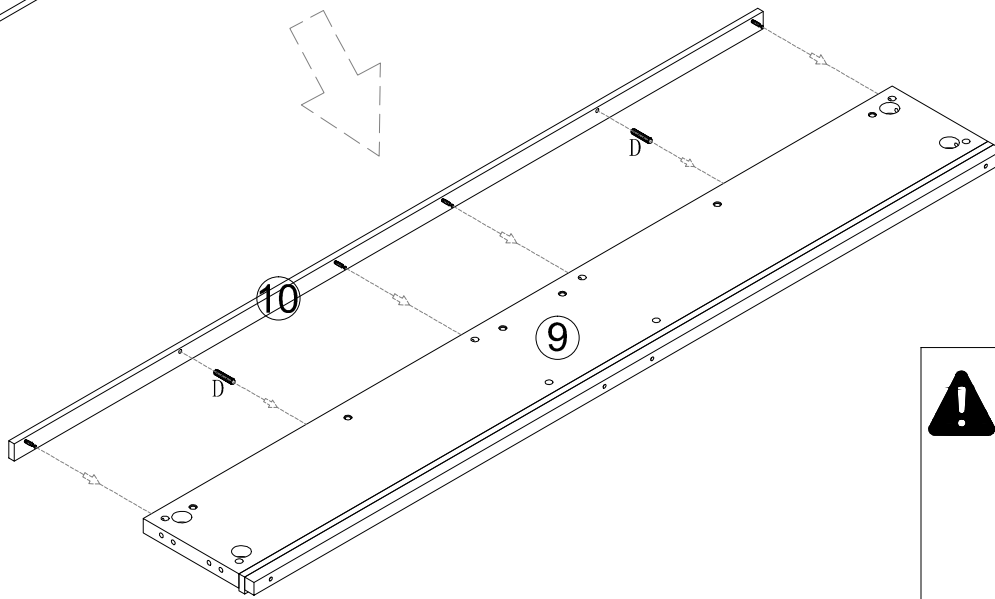
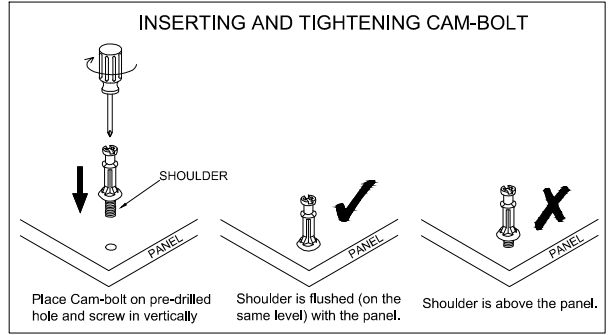


	A×8PCS
	B×8PCS
	D×4PCS

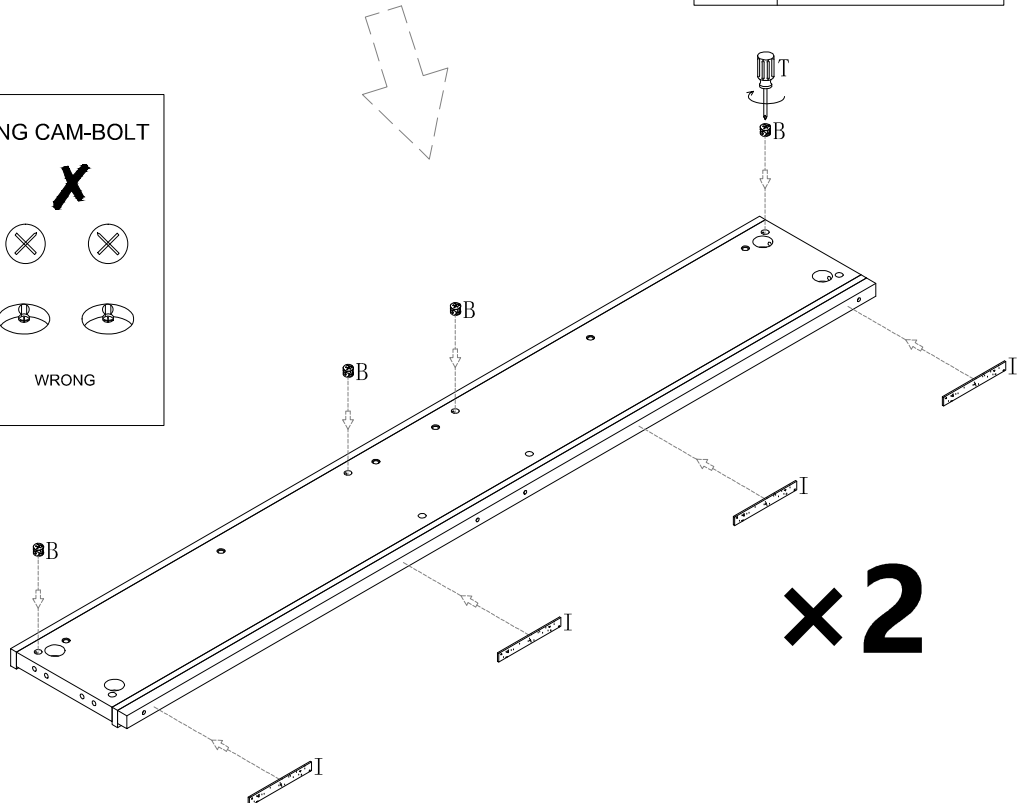
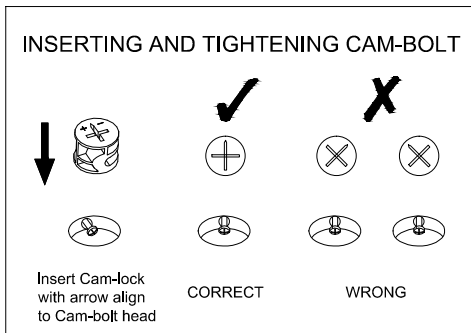
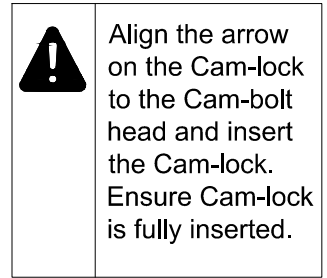
STEP 13



x2



x2



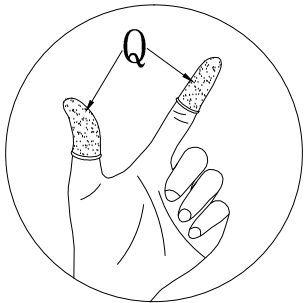
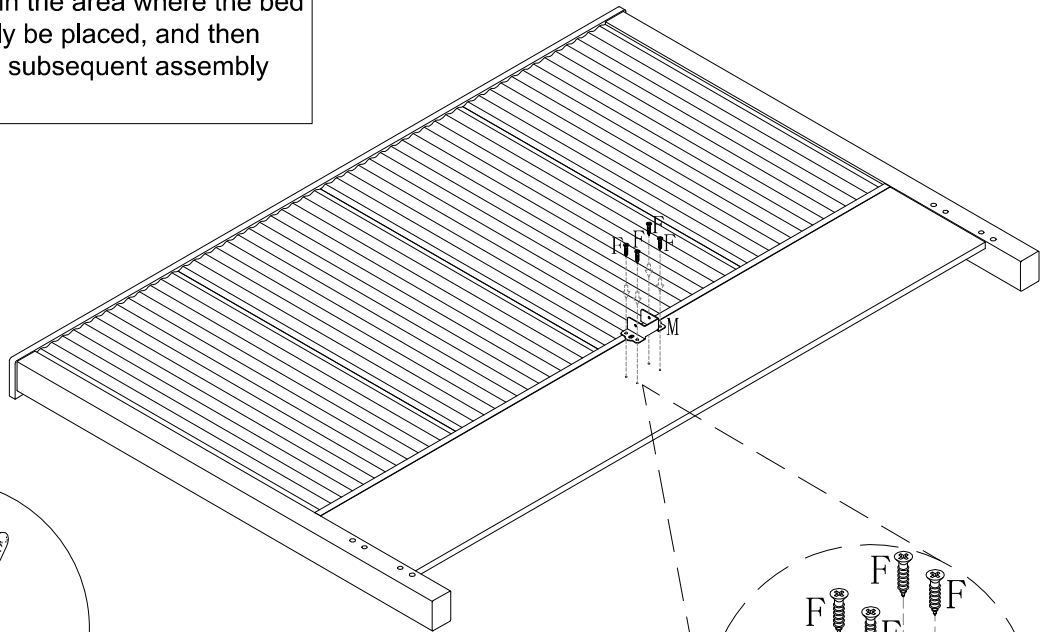
x2

	A×8PCS
	B×8PCS
	D×4PCS
	I×8PCS

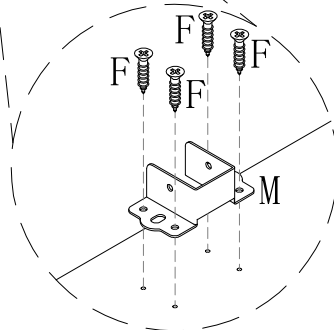
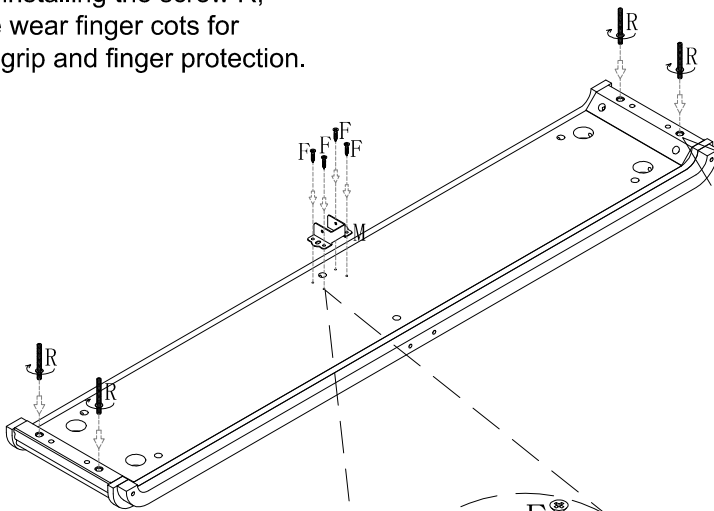
STEP 14



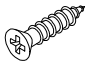



Reminder: The bed frame is heavy. From this step on, please place the accessories in the area where the bed will eventually be placed, and then proceed with subsequent assembly operations.



When installing the screw R, please wear finger cots for better grip and finger protection.

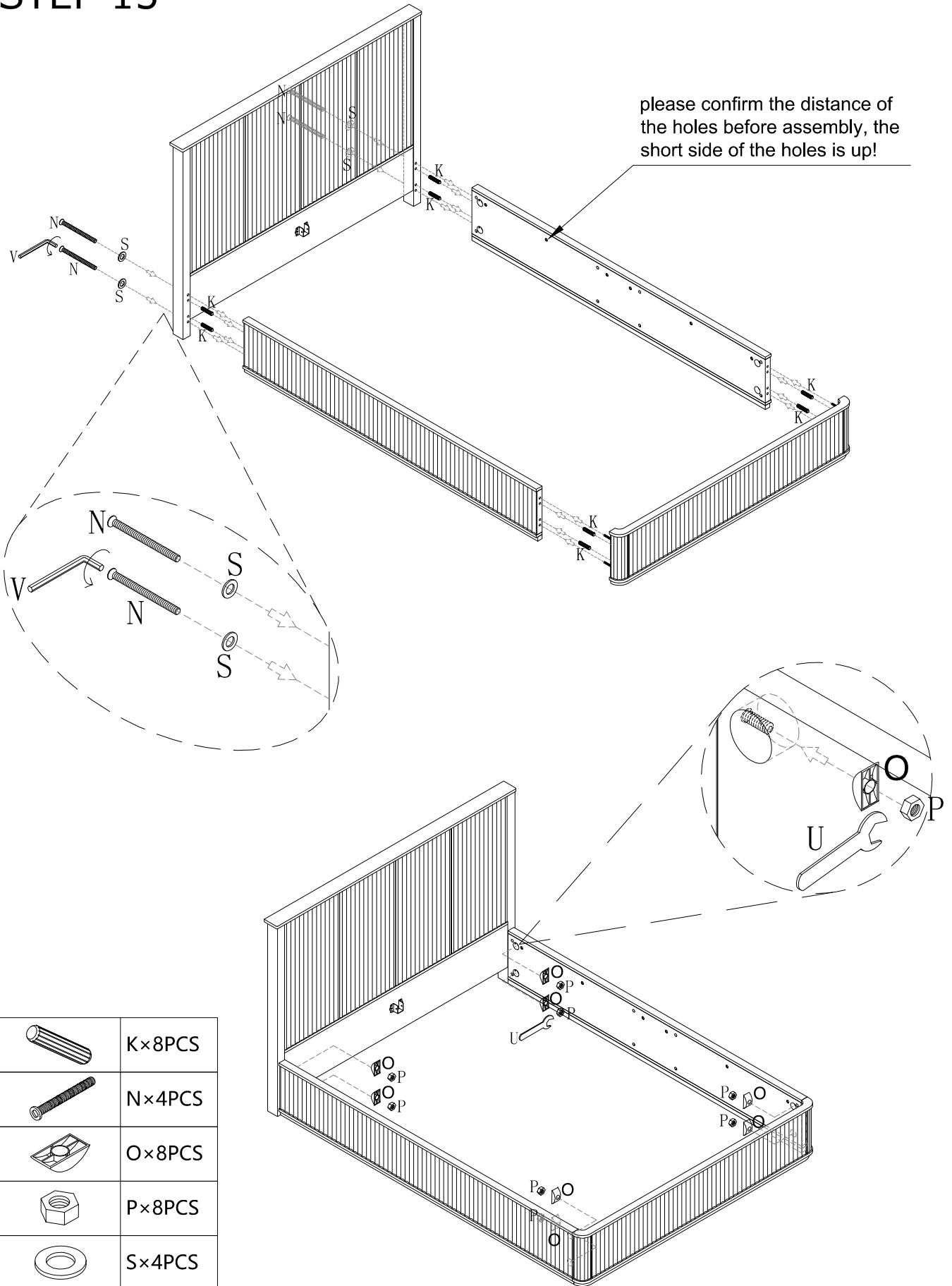


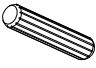

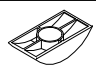
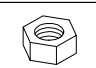
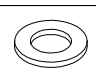

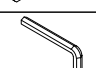
Note: Screw the shorter end of the screw into the board.

	F×8PCS
	M×2PCS
	Q×4PCS
	R×4PCS

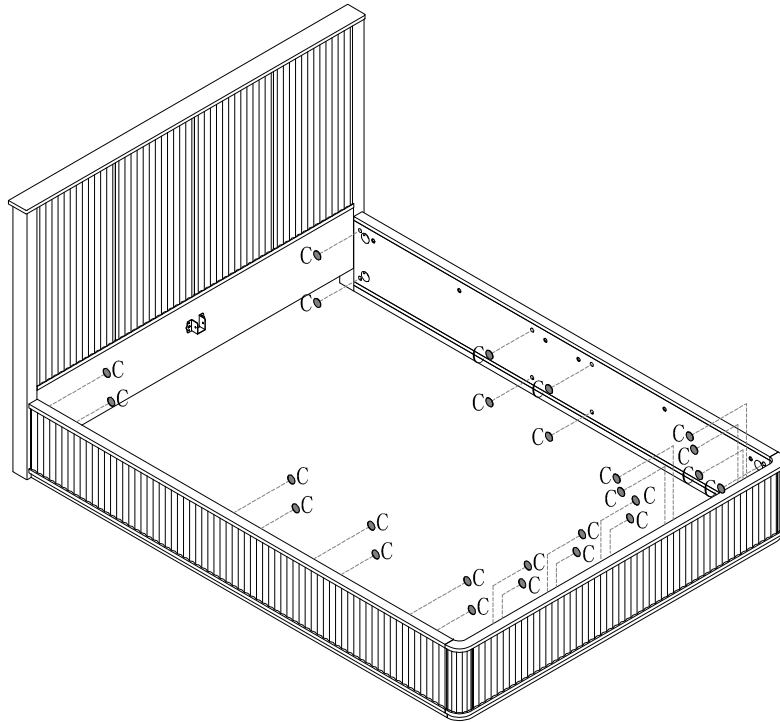
STEP 15


please confirm the distance of the holes before assembly, the short side of the holes is up!



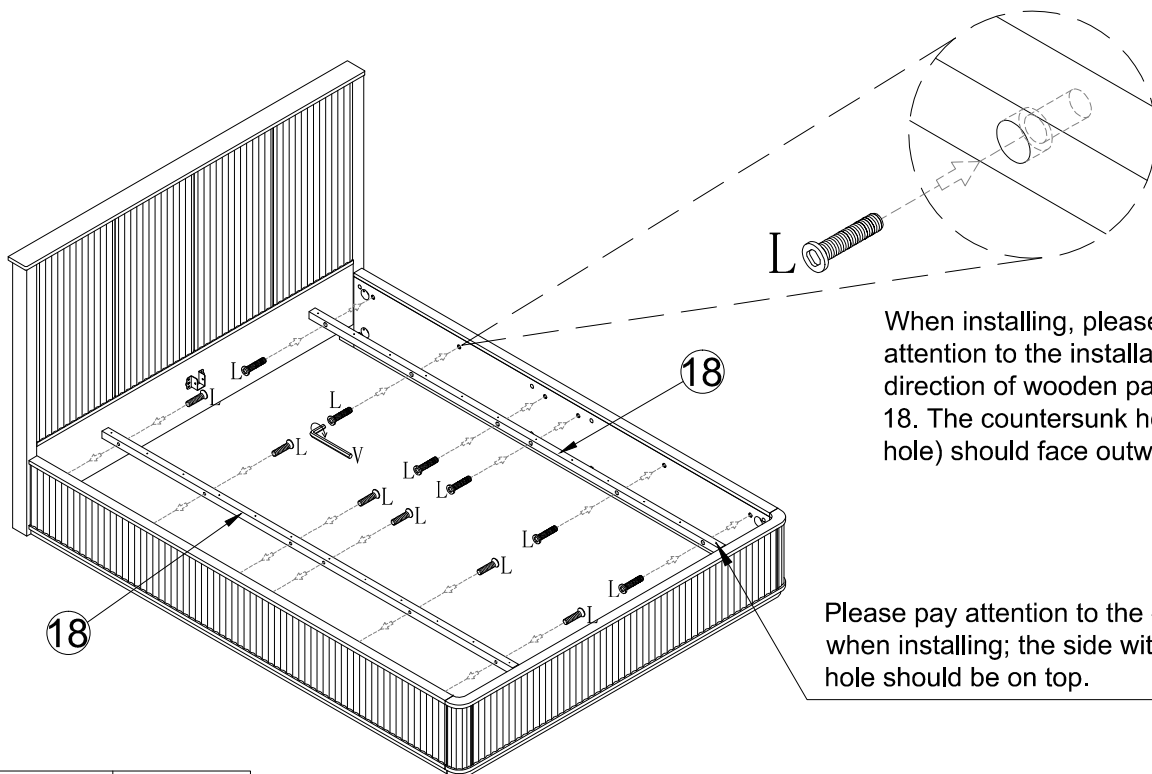
	K×8PCS
	N×4PCS
	O×8PCS
	P×8PCS
	S×4PCS
	U×1PC
	V×1PC

STEP 16



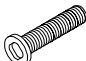

	C×26PCS
---	---------

STEP 17

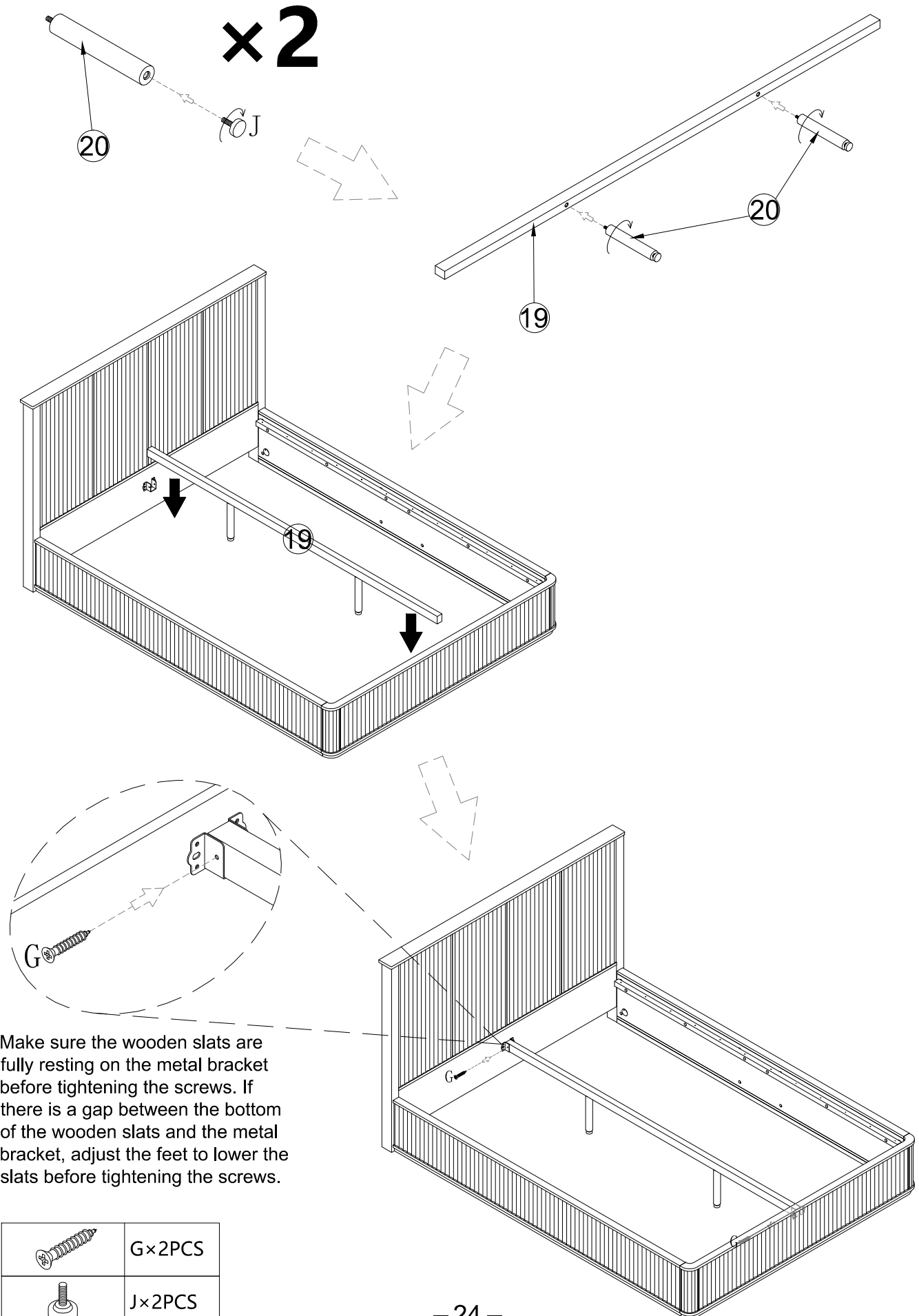


When installing, please pay attention to the installation direction of wooden part number 18. The countersunk hole (large hole) should face outward.

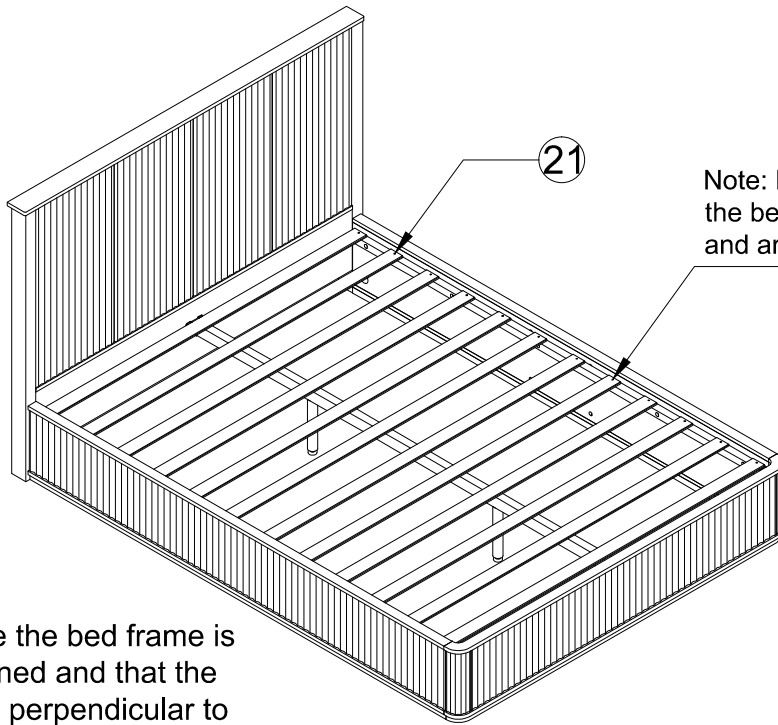
Please pay attention to the orientation when installing; the side with the guide hole should be on top.

	L×12PCS
	V×1PC

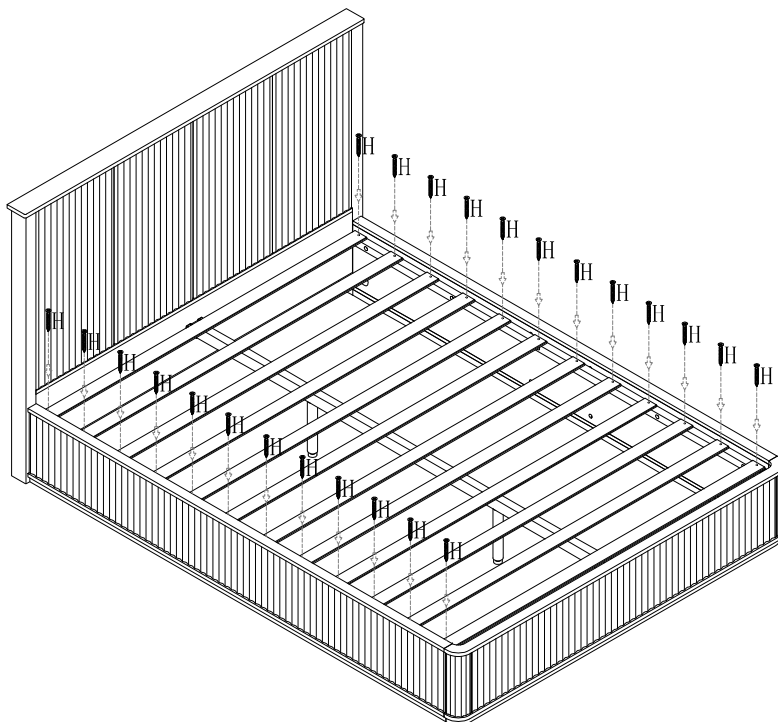
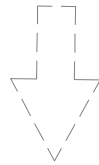
STEP 18



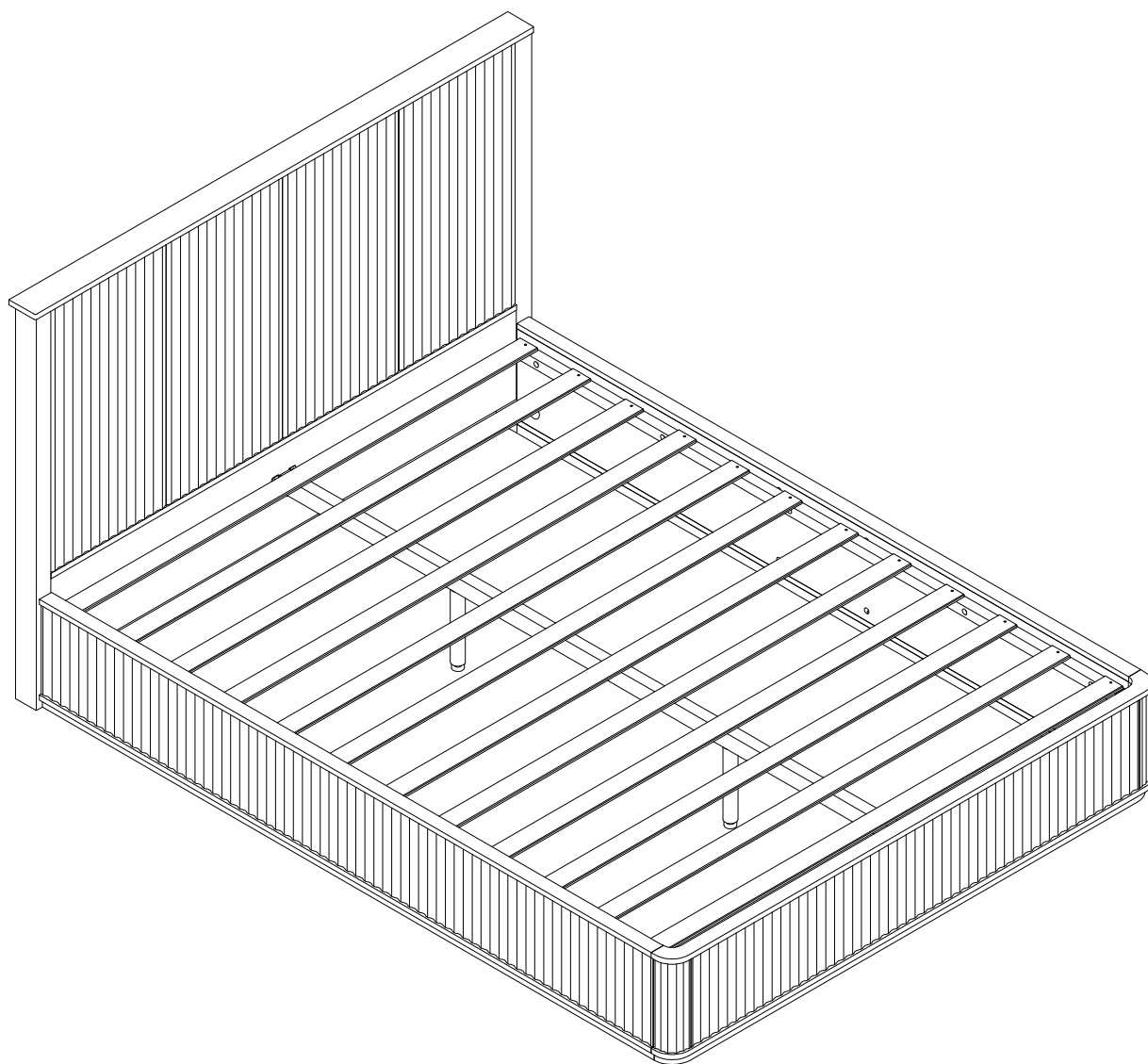
STEP 19



First, make sure the bed frame is properly positioned and that the side frames are perpendicular to the headboard and footboard before installing the slats.



STEP 20



Assembly complete