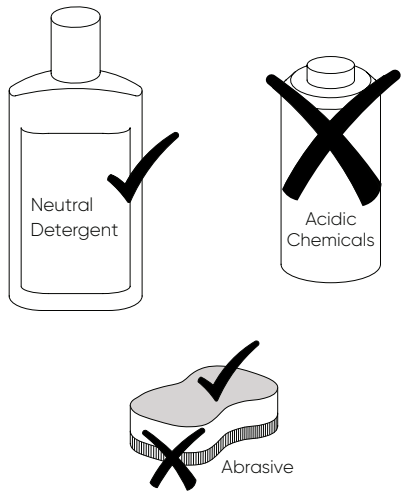


MAINTENANCE

Chrome faucets: Use only liquid cleansers or soapy water. Anti-lime or acidic cleaners such as scouring agents or abrasive sponges are to be avoided. Polish with a soft cloth.

Special finish faucets: Clean faucet with mild soap and water. Wipe the entire surface dry with a dry, clean, soft cloth after each use.

DO NOT USE CLEANERS WHICH CONTAIN ACIDS,
HARSH CHEMICALS OR ABRASIVES.



WHITEHAUS COLLECTION

If you have any questions, please call us at:

Phone: 800-527-6690

Fax: 800-694-4837

General inquiries:

info@whitehauscollection.com

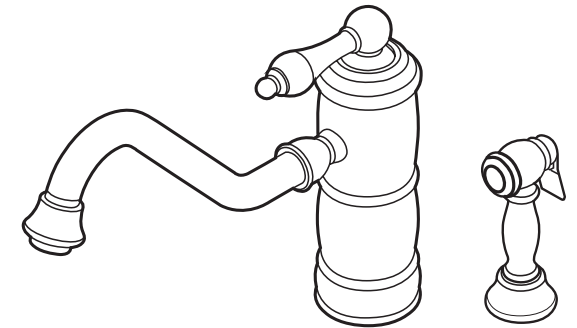
For purchase orders, email us at:

orders@whitehauscollection.com

WHITEHAUS COLLECTION

LONG SWIVEL SPOUT KITCHEN FAUCET

WHKTSL3-2200-NT TRADITIONAL



INCLUDES:

FAUCET INSTALLATION
SIDESPRAY INSTALLATION
DIMENSIONS
PARTS LIST
MAINTENANCE

FAUCET INSTALLATION

Before installing a new faucet, properly flush out the pipework to remove any debris.

1. Place the faucet in the pre-drilled hole on the countertop or sink while ensuring an O-Ring is placed between the faucet and counter.
2. Place rubber washer followed by metal washer to faucet shank under sink. Place lock nut and rotate clockwise to shank. Hand-tighten until the lock nut is snug to the underside of the counter.

Note: Do not tighten lock nut until faucet is properly aligned.

3. Rotate the spout to the left and right. Making sure the handle is aligned to center position properly. Then make the final tightening of the lock nut.

SIDESPAY INSTALLATION

4. Place side spray holder through the secondary hole in counter/sink.
5. Attach washers and mounting nut from under the sink and tighten securely to the counter.
6. Feed end of sidespray hose through mounted holder. From under the sink, connect sidespray hose to outlet flexible supply line.

NOTE: If sidespray is not required, please use cap provided with faucet.

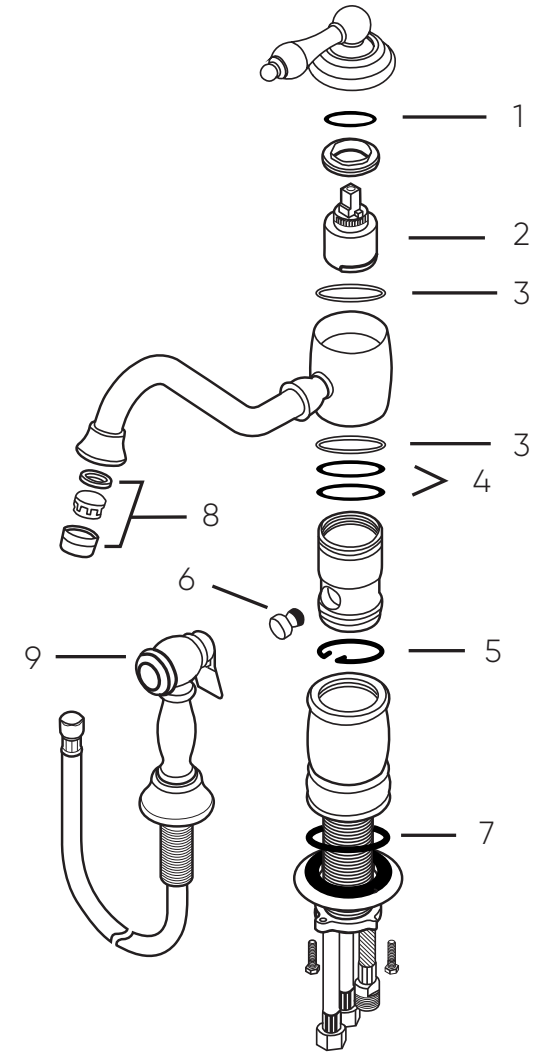
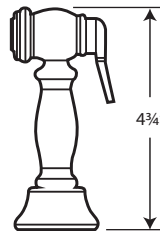
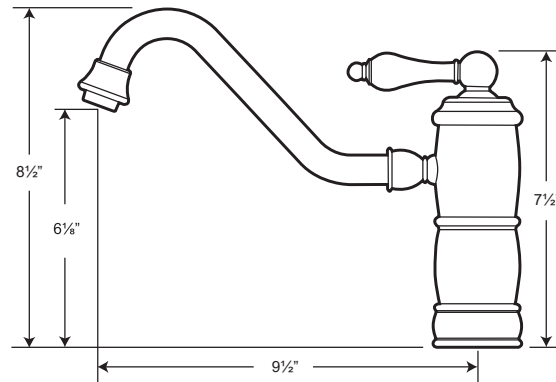
BEFORE USE

7. From under the sink firmly connect the hot and cold water directly to the shanks. Do not overtighten flexible supply lines (not supplied).
8. Remove aerator.
9. Turn on hot and cold supplies to the faucet, checking for leaks at all connections.
10. Replace aerator.

High pressure differentials between cold and hot water connection must be avoided.

We reserve the right to introduce technical changes without notice.

WHKTSL3-2200-NT – DIMENSIONS



WHKTSL3-2200-NT PARTS LIST

1	Cap O-Ring	B1E0-63-NW
2	Cartridge	LIJI-32-NW
3	Plastic Slip Washer	C2F0-47-NW
4	Body O-Ring	B1E1-77-NW
5	Diverter C-Clip	C2C0-74-NW
6	Diverter	M4X0-01-HC
7	Mounting O-Ring	B1E0-20-NW
8	Aerator	WH-HAM-AER
9	Sidespray	Q6W1-06-HC