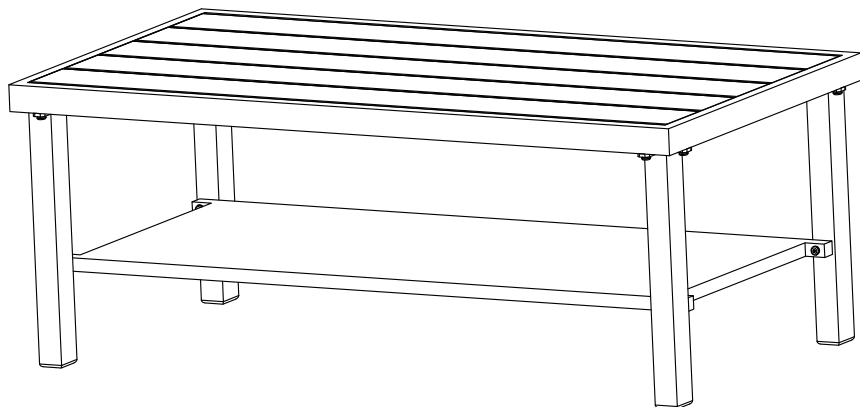


# sku:HZ-YFS05T

Steel Wicker Table



## Thank you for choosing us!

Our goal is to provide high quality outdoor furniture with outstanding customer service-all at an affordable price.

Please let us know how we are doing!

## Problems?

(Missing pieces, wrong pieces...)

We will fix it immediately. Send us an email at

**[aftersaledirect@gmail.com](mailto:aftersaledirect@gmail.com)**.








## Happy?

Please leave us a review!

You can make others happy too!

# Care & Maintenance

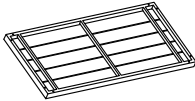
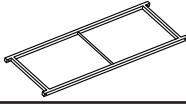
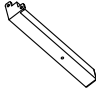
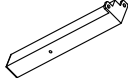




## Caution: You must read this before you proceed

- ❌  ● Not for commercial use. For residential use only.
- ❌  ● Prolonged exposure to rain may cause rusting which can stain floors.
- ❌  ● Do not put hot items directly on furniture surface.
- ❌  ● Do not clean furniture with harsh cleansers or polish.
- ✓  ● To obtain the longest lifespan of your outdoor products, minimizing exposure to direct sunlight is recommended.
- ❌  ● Children should not climb or jump on the furniture.
- ❌  ● Do not write on furniture without a padded barrier to protect the surface.
- ✓  ● To obtain the longest lifespan of your outdoor products, avoid extended and lengthy exposure to rain, snow, and direct sunshine. Whenever possible cover the product and /or place under patio or awnings.
- ❌  ● Do not place the product in stone areas or areas that absorb too much sunlight.
- ❌  ● Stains may be removed with mild soap solution and damp cloth.
- ✓  ● Keep away from sources of ignition.
- ✓  ● High-pressure water guns must not be used for cleaning. Dust and pick-up spills using a clean, non-colored, lint-free cloth.



Tip: We recommend flattening the boxes to use as a protective work surface, or setting up your new furniture on a soft floor like a carpet.

## COMPONENT LIST - TABLE

Item no.	Reference Image	Description	Qty.
A		Table Top	1
B		Middle Panel	1
C		Table Leg	2
D		Table Leg	2
E		Allen Key	1
F		M6*15 Head Cap Screw	8
G		Washer	12
H		M6*25 Head Cap Screw	4

**NOTE:**

Do NOT tighten any screws fully first until you have tightened all the screws.

This may cause the frame to warp.

If there is still wobbles or screw holes cannot be aligned, loosen the screws and tighten sequentially.

If the Table is not stable it could lead to damage to the product.

# 01

(H)

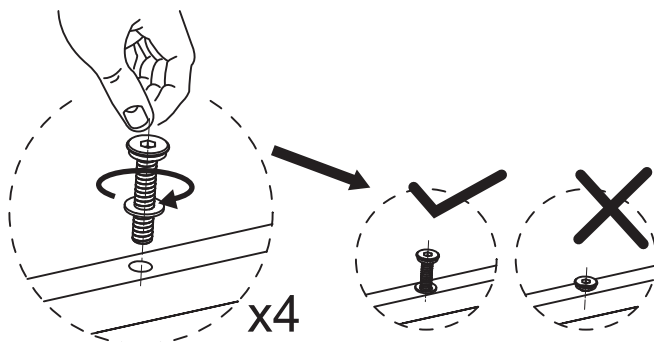
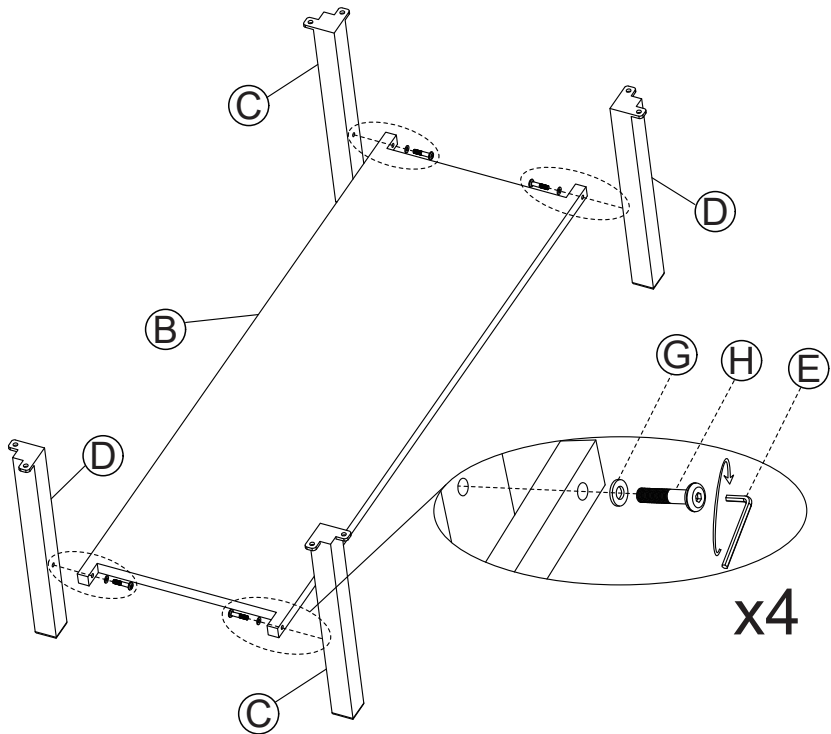


M6\*25 Screw x4

(G)



Washer x4



**NOTE: DO NOT TIGHTEN THE SCREWS COMPLETELY.**

# 02

(F)

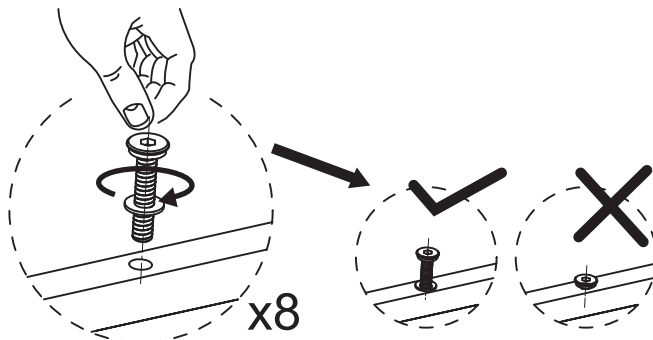
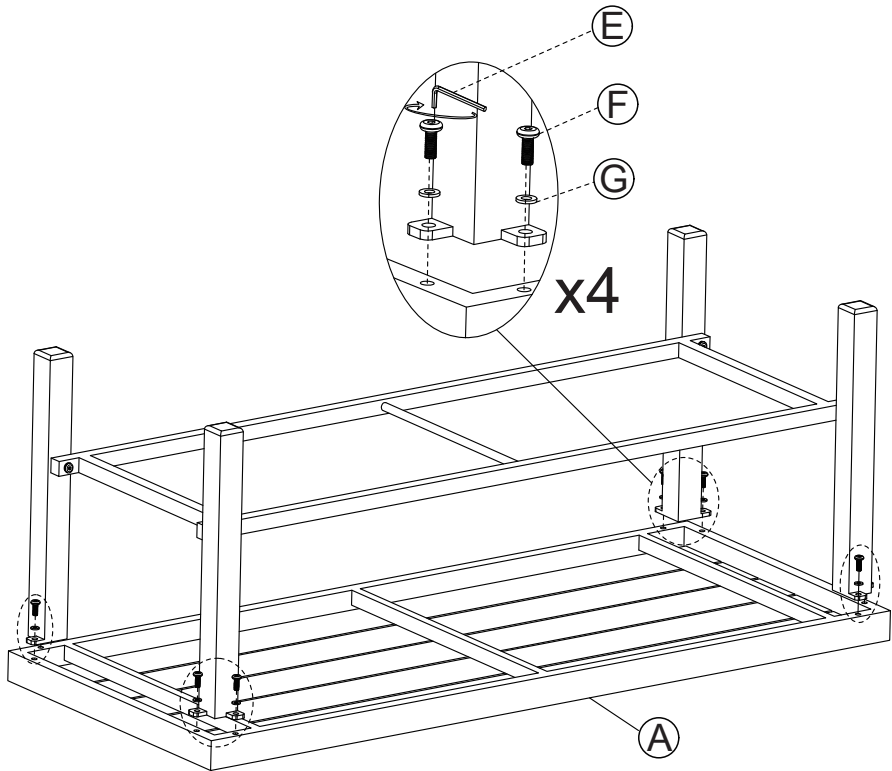


M6\*15 Screw x8

(G)

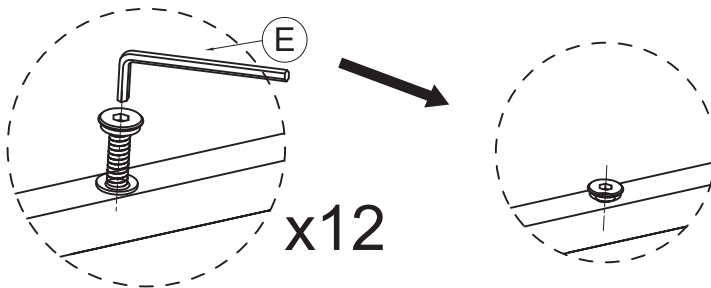
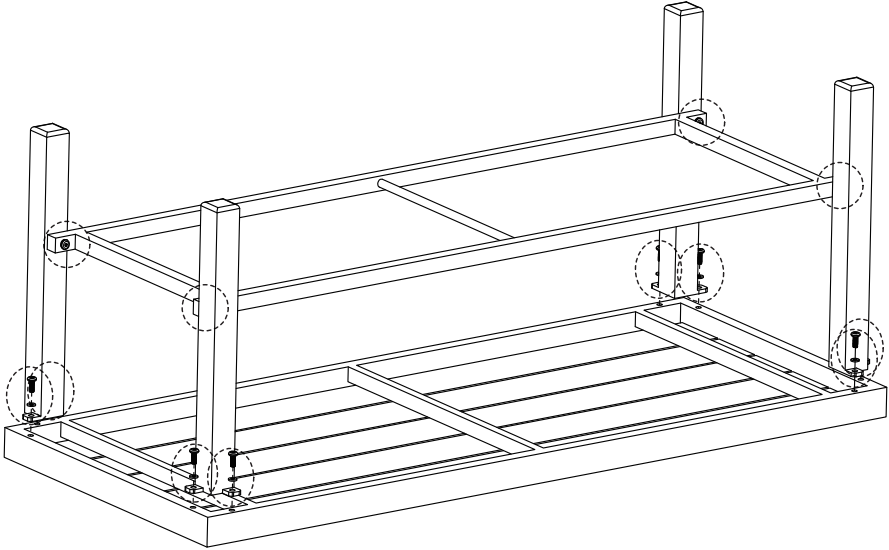


Washer x8



**NOTE: DO NOT TIGHTEN THE SCREWS COMPLETELY.**

# 03 Tighten all 12 Screws into place with Allen Wrench.



**NOTE:**IF ANY SCREW HOLES CANNOT BE ALIGNED, LOOSEN ALL THE SCREWS AND GO BACK STEP 1 AND RESTART ASSEMBLY.

04

