












Assembly Instructions

Caution: You must read this before you proceed.

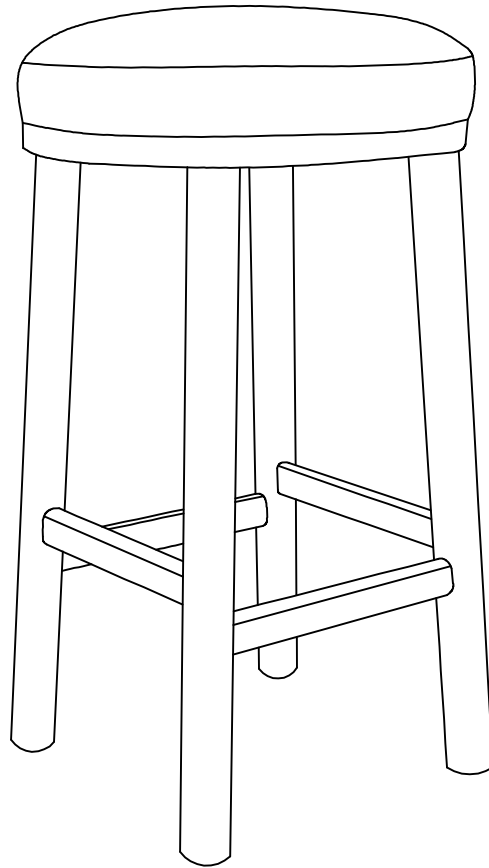
Care & Maintenance

-  ● Not for commercial use. For residential use only.
-  ● Furniture may scratch floors. We recommend using furniture pads to protect your floors.
-  ● Do not put hot items directly on furniture surface.
-  ● Do not clean furniture with harsh cleansers or polish.
-  ● Do not place furniture under direct sunlight.
-  ● Do not place furniture near heating or cooling vents.
-  ● Do not write on furniture without a padded barrier to protect the surface.
-  ● Do not place furniture outside . For indoor use only.
-  ● Stains may be removed with mild soap solution and damp cloth.
-  ● Children should not climb or jump on the furniture.

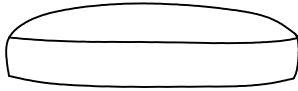

-  ● Dust and pick-up spills using a clean, non-colored, lint-free cloth.



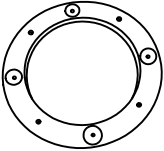
Please look in Chair Seat for hardware packs and legs.

COUNTER STOOL





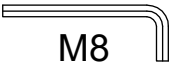
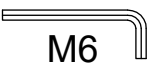


Parts List

| Label | Picture | Description | QTY |
|-------|---|-------------|-----|
| A |  | Seat | 1 |
| B |  | Left Legs | 2 |

| | | | |
|---|---|------------------------------|---|
| C |  | Right Legs | 2 |
| D |  | Crossbars | 4 |
| E |  | Bottom Ring Wooden Square | 1 |

Hardware

| Label | Picture | Description | QTY |
|-------|---|----------------|-----|
| ① |  | Bolt (M6*35mm) | 13 |
| ② |  | Bolt (M8*40mm) | 5 |
| ③ |  | Spring Washer | 5 |
| ④ |  | Washer | 5 |
| ⑤ |  M8 | Allen Washer | 1 |
| ⑥ |  M6 | Allen Washer | 1 |

Assembly Preparation

| | | | | |
|---------------------------------|-----|-----|------|-----|
| Before Beginnin Assembly: | A | Dx4 | ①x13 | ④x5 |
| | Bx2 | Cx2 | ②x5 | ⑤x1 |
| | | E | ③x5 | ⑥x1 |



- Read instructions, cover to cover-



- Have 2 adults on hand for assembly-



- Do not assemble on flooring or carpet-



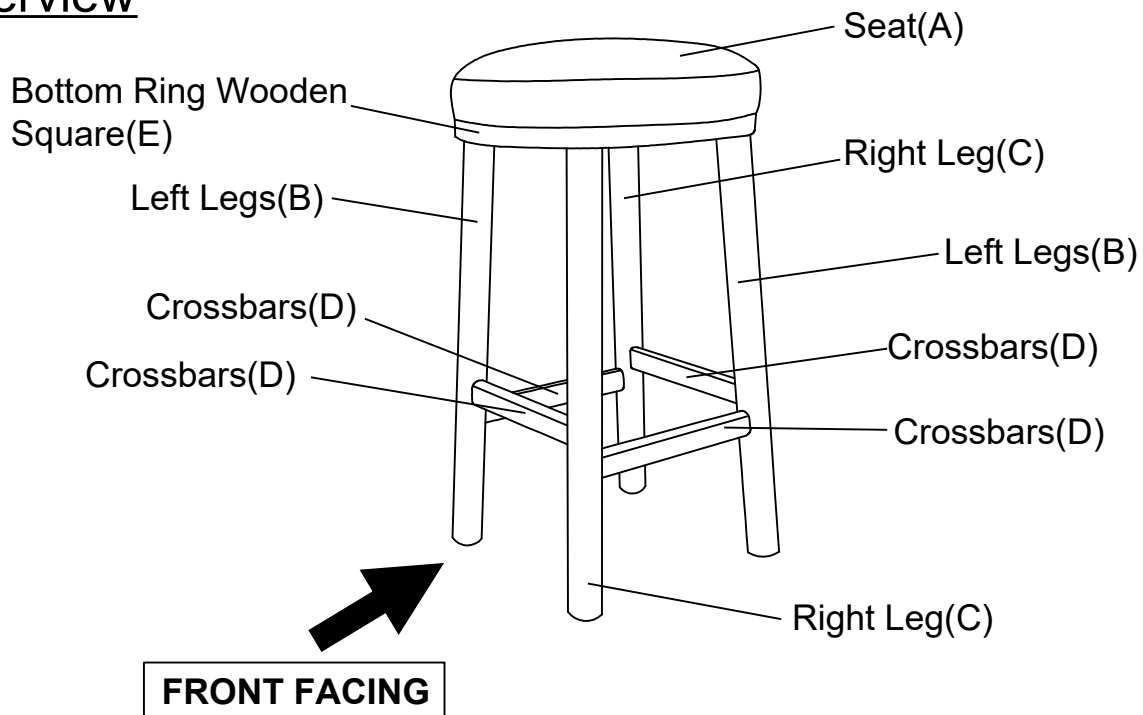
- Assemble on a clean non-marring surface (packing foam)-



- Save all packaging until finished-

Assembly Steps

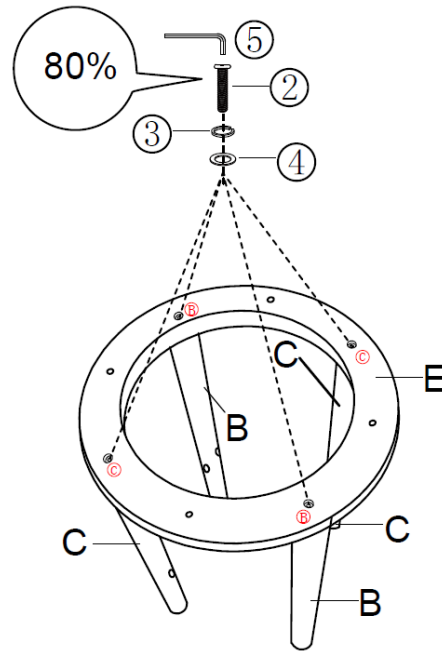
Overview



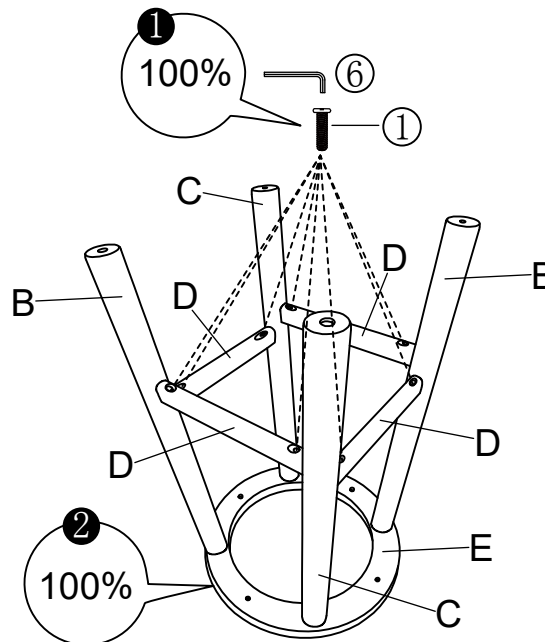
This COUNTER STOOL has multiple parts and may require up to 30 minutes to assemble. To give you an overview of the COUNTER STOOL parts, the above picture is to help you put the various parts into perspective. Please read through the instructions below to familiarise yourself with the parts and steps before assembly.

Step 1

1.1



1.2

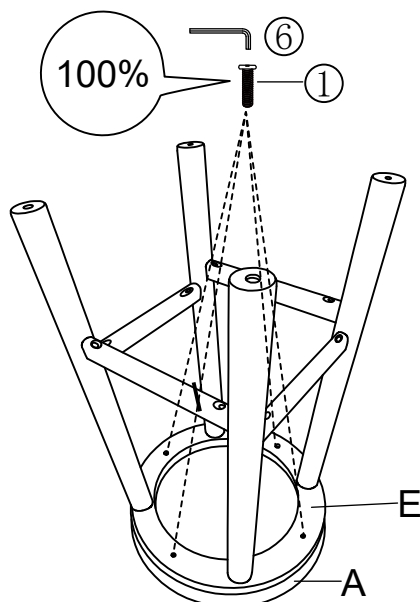


Step 1.1)The Bottom Ring Wooden Square (E) has two sides, with four holes on one side that are the same thickness as the Legs (B) and (C), and four sub circles on the other side. When installing the Legs (B) and (C), label them with the corresponding position of the label on the (E) hole. Use Screws (2), Spring Washer (3), Washer (4) and Allen Wrench (5) to fix them, and tighten them to 80%.

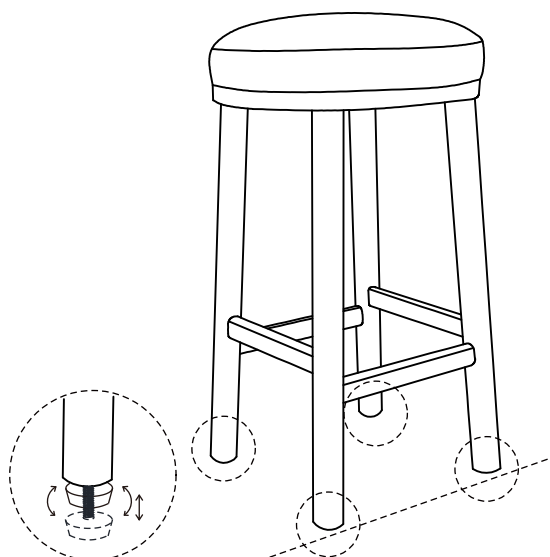
Step 1.2) Secure the front and rear Crossbars (D) with Screws (1) and Allen Wrench (6), and tighten to 100%; Then tighten the Bottom Ring Wooden Square (E) to 100%.

Step 2

2.1



2.2

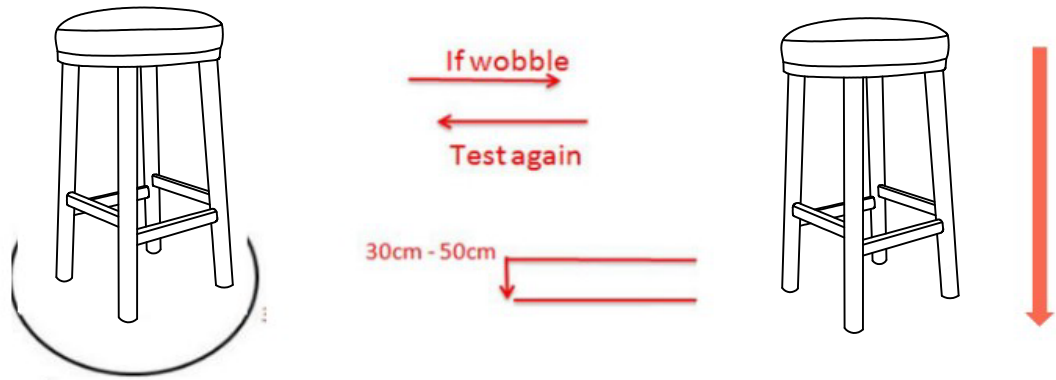


Step 2.1) The Seat (A) and the Bottom Ring Wooden Square (E) should be locked with Screw ① and Allen Wrench ⑥, and tightened to 100%.

Step 2.2) Place the bar chair on a flat surface with four legs. If one leg is uneven, twist and adjust the foot nail.

WARNING !! LOOSELY TIGHTEN. OVER TIGHTENING COULD LEAD TO DAMAGE OF THE PRODUCT. TIGHTEN ONLY UNTIL SECURE.

Step 3



Place the COUNTER STOOL on a Level Surface to check if it wobbles. If it wobbles, lift the COUNTER STOOL some 30cm to 50cm high from the ground, keep your feet and toes well away from the drop zone, and drop the COUNTER STOOL freely and vertically with the four legs, hitting the ground at the same time. This Drop Test will help to ensure that all the bolts and gaps to all reach full alignment.

Test again for evenness on Level Surface.

If no wobbles are found, proceed to tighten all the Bolts.

Caution: When tightening the Bolts, tighten sequentially.

Do not tighten any screw fully and then towards the next one, this would cause the frame to warp. If it still wobbles, loosen the bolts and execute this same drop test. If the COUNTER STOOL is not Stable it could lead to damage to the product.