



**Type IC, Wet & Air-Tight**

### DESCRIPTION

4" Round 24V DC Input Recessed LED With DC Module For Regulating The Input Voltage & Current

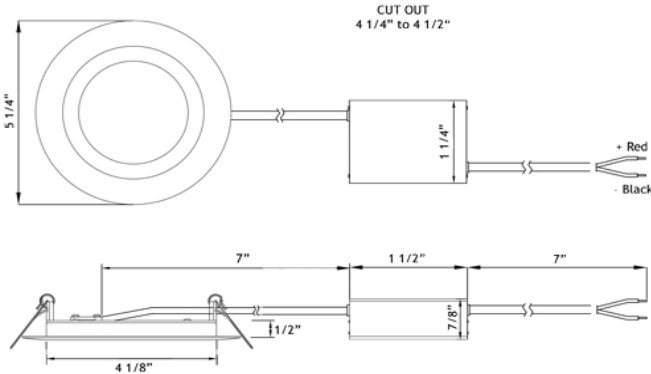
### FEATURES & BENEFITS

- 1/2" Deep - Install Directly Under Joists, Maximum Layout Flexibility
- Wider Trim - No Goof Rings Needed For Covering Old 4" Holes
- Low Voltage Wiring Only
- Fast & Easy To Install - Save On Labor
- Type IC Rated - No Housing Required
- CRI 90 + for True Color Rendering

### MOUNTING

Cut Hole In Ceiling And Snap Fixture In Opening With Attached Spring Clips. Ceiling Clearance Required: 1/2"

**DIMENSIONS :** ID 4 1/8" OD 5 1/4" Cut Out 4 1/4" to 4 1/2"



### AVAILABLE TRIMS



White

### ORDERING GUIDE

Example: **LL4R24V - 30K - WH**

	CCT	Trim Finish	
<b>LL4R24V</b>	-	-	
2700K	<b>27K</b>	<b>WH</b>	White
3000K	<b>30K</b>		
4000K	<b>40K</b>		

Project: \_\_\_\_\_

Location: \_\_\_\_\_

Cat #: \_\_\_\_\_ Qty: \_\_\_\_\_

Notes: \_\_\_\_\_

SPECIFICATION	
Applications	Recessed Ceiling, Showers & Soffits
Energy Used	13.5 W
Colour Temperature K	2700   3000   4000
Light Output lm	750   760   800
Halogen Equivalent	75 W
Beam Angle	110°
CRI	90 +
Input Voltage	24V DC
Approved Location	Insulated Ceiling, Wet & Damp Locations
IP Rating	IP 54
Air Tight	Yes
Ambient Temperature	-40°F (-40°C) to +104°F (+40°C)
Projected Life	70% Light Output at 50,000 Hours
Certification	cULus
Warranty	5 Year

Every fixture comes with an external DC Module for regulating the voltage & current  
Input of this DC Module is 24V



### ACCESSORIES

Sold Separately



Flat Rough-In Plates - cat # **RIP412**



Flanged Rough-In Plate - cat # **FRP412**

### COMPLIANCE



**Type IC  
Air-Tight**